



US00D374603S

United States Patent [19]

Brown

[11] Patent Number: **Des. 374,603**

[45] Date of Patent: ****Oct. 15, 1996**

[54] **TRAINING BAG HANGER**

[76] Inventor: **David W. Brown**, R.D. 11, Box 870,
Greensburg, Pa. 15601

[**] Term: **14 Years**

[21] Appl. No.: **37,460**

[22] Filed: **Apr. 13, 1995**

[52] U.S. Cl. **D8/373**

[58] Field of Search D8/373, 354, 349;
248/317, 215, 339, 301, 304, 227.1-227.4,
309.1, 340

[56] **References Cited**

U.S. PATENT DOCUMENTS

1,653,769	12/1927	Johnson	248/317 X
2,476,635	7/1949	Southwick	248/317
3,199,820	10/1965	Thompson	248/339 X
4,676,465	6/1987	Myotte	248/340 X

OTHER PUBLICATIONS

Sears Catalog, 1991, p. 604, swivel hook circled item located at bottom of page.
Black Belt Magazine, Jan. 1983, p. 67, bracket circled near bottom of page.

Primary Examiner—Holly H. Baynham

Attorney, Agent, or Firm—Harold H. Dutton, Jr.; Diane S. Liebman; W. Charles L. Jamison

[57] **CLAIM**

The ornamental design for a training bag hanger, as shown.

DESCRIPTION

FIG. 1 is a perspective view of a training bag hanger showing my new design;

FIG. 2 is a front view thereof;

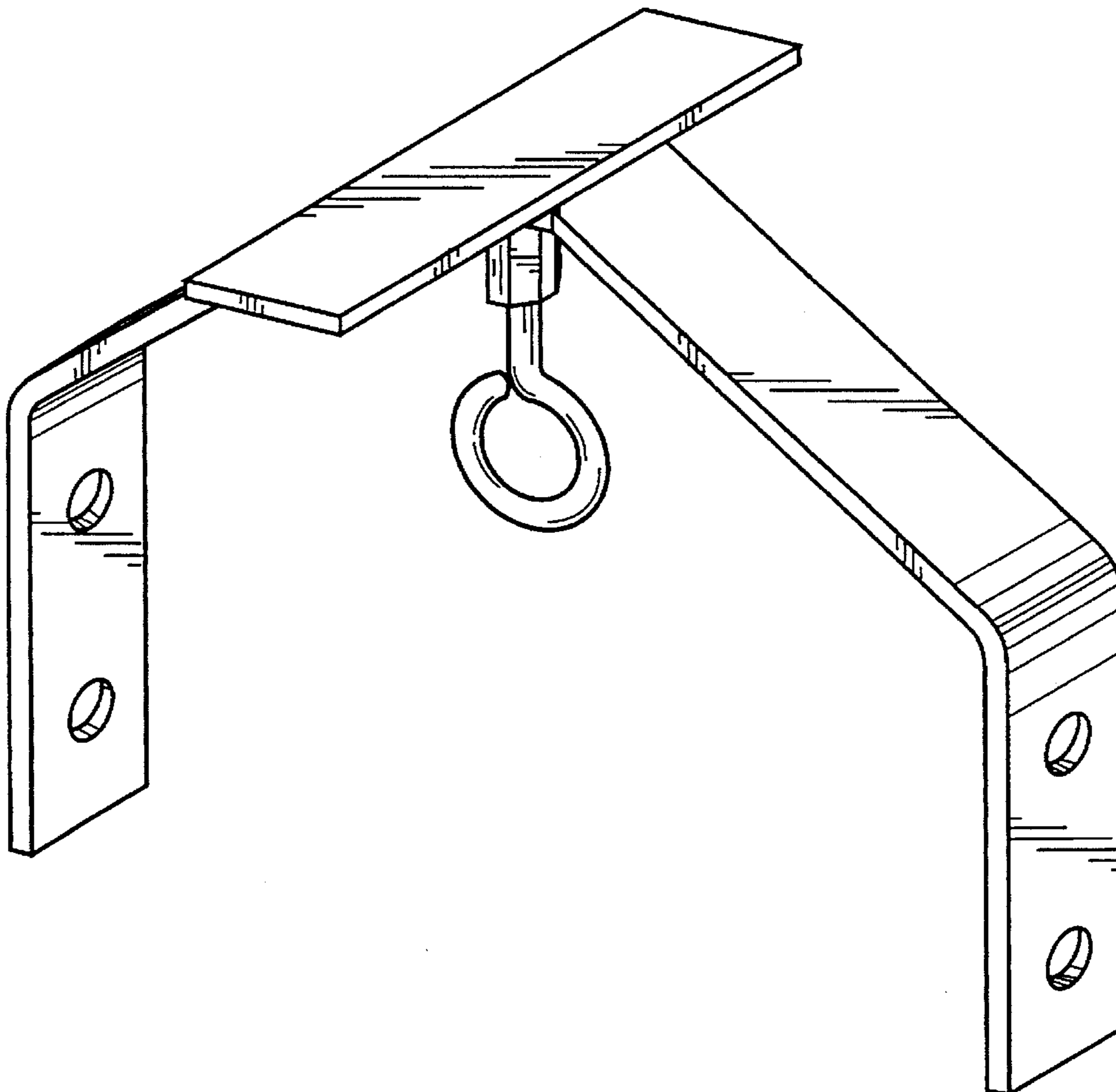
FIG. 3 is a right side view thereof;

FIG. 4 is a left side view thereof;

FIG. 5 is a top view thereof; and,

FIG. 6 is a bottom view thereof.

1 Claim, 3 Drawing Sheets



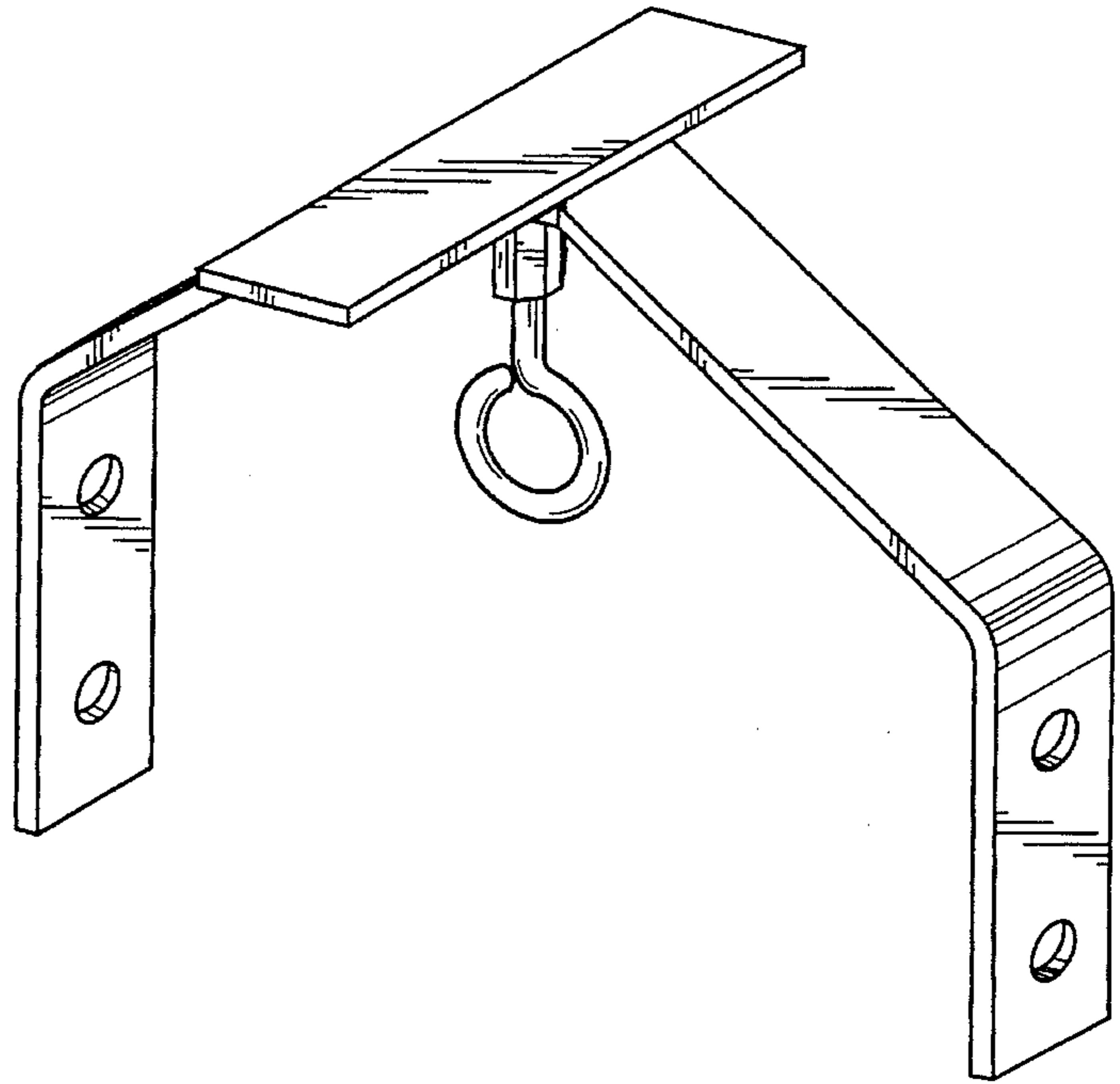


FIG. 1

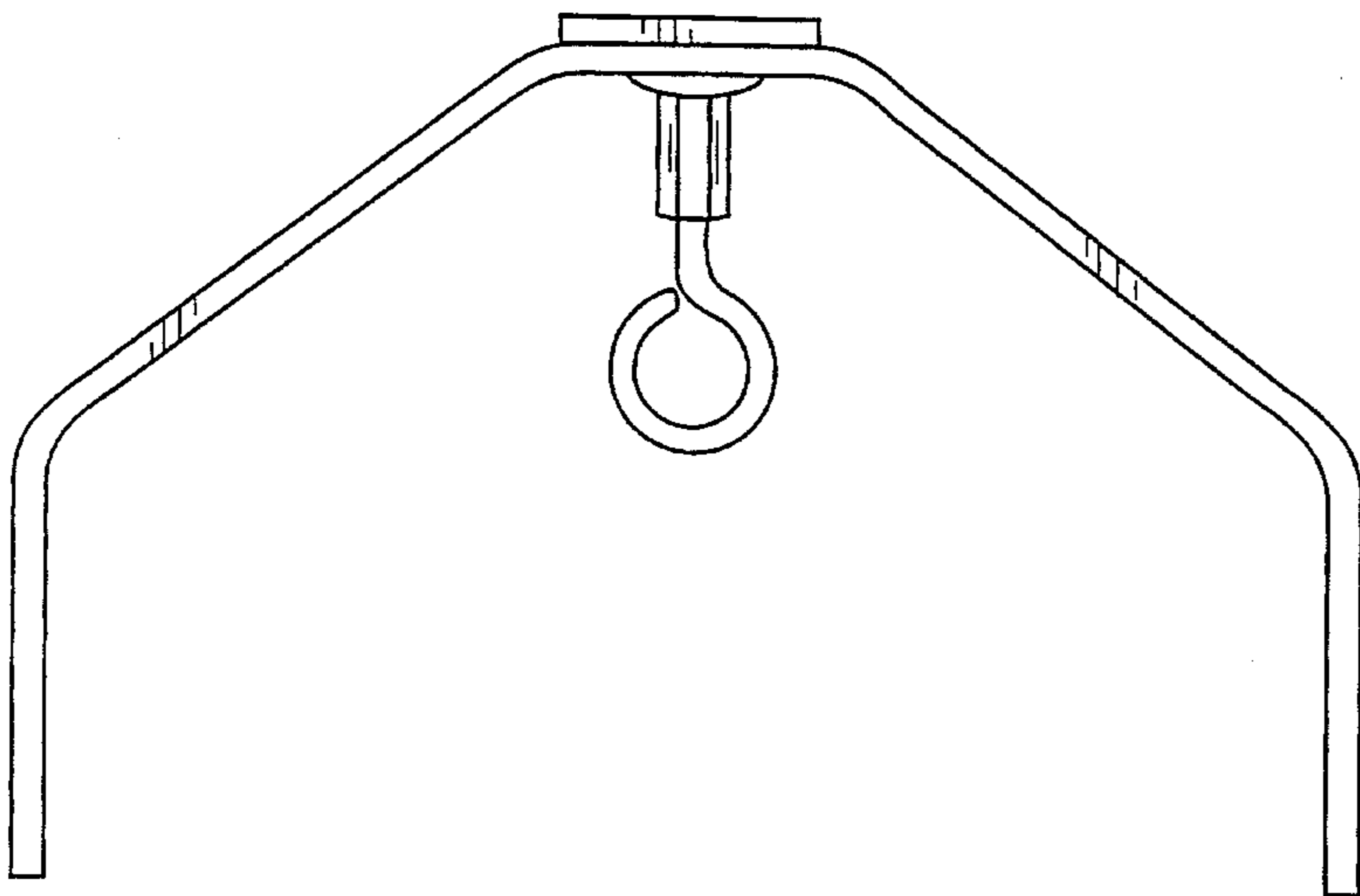


FIG. 2

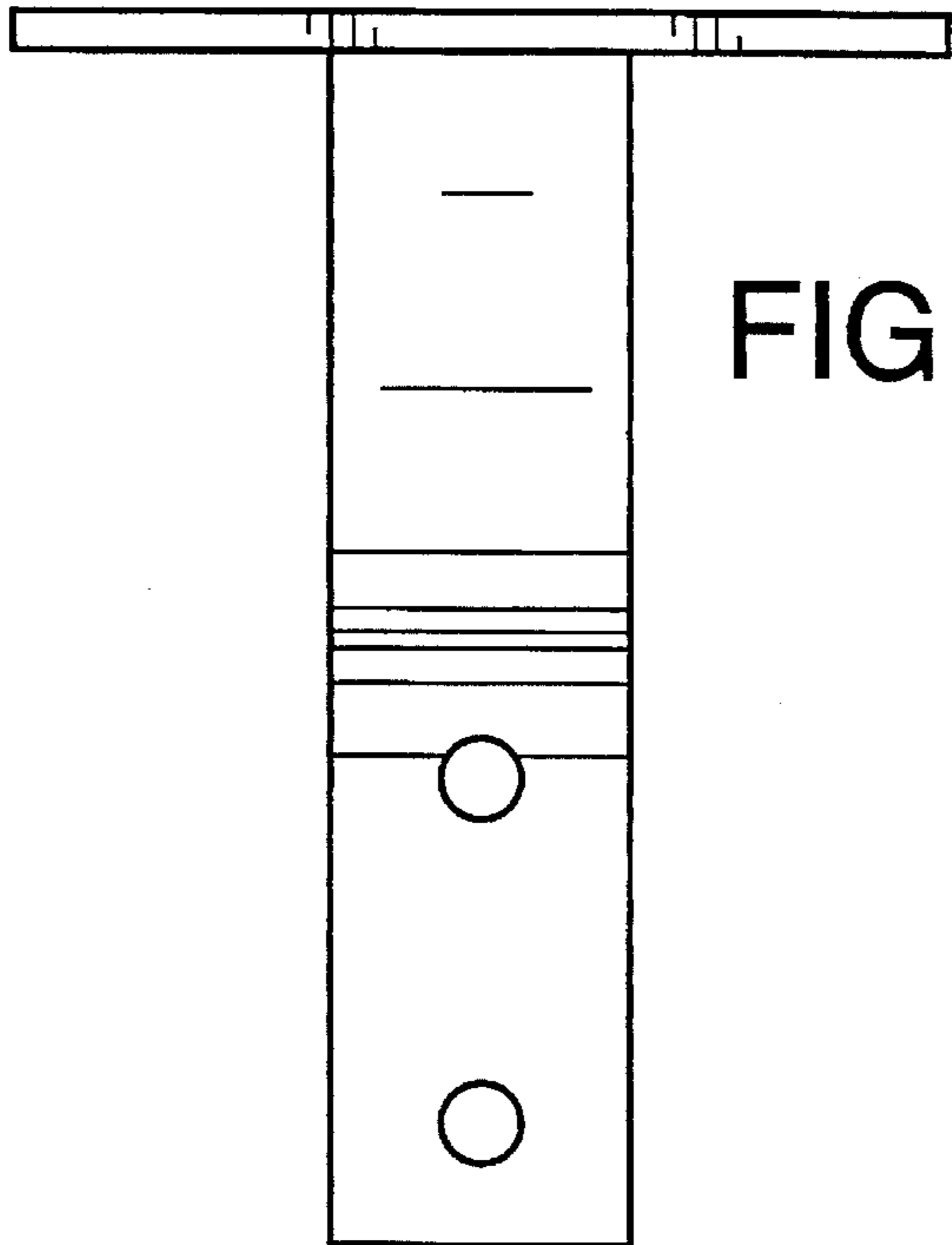


FIG. 3

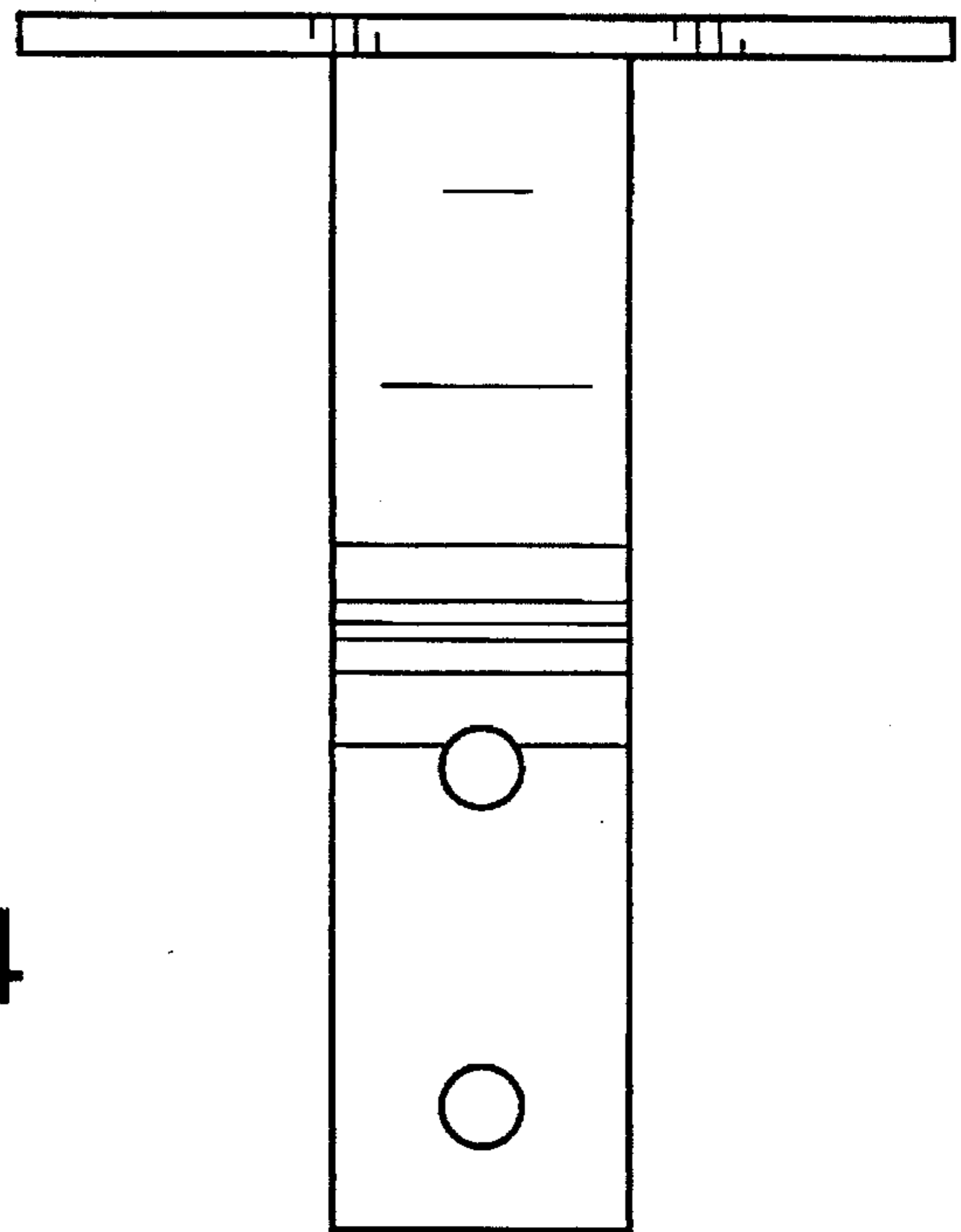


FIG. 4

FIG. 5

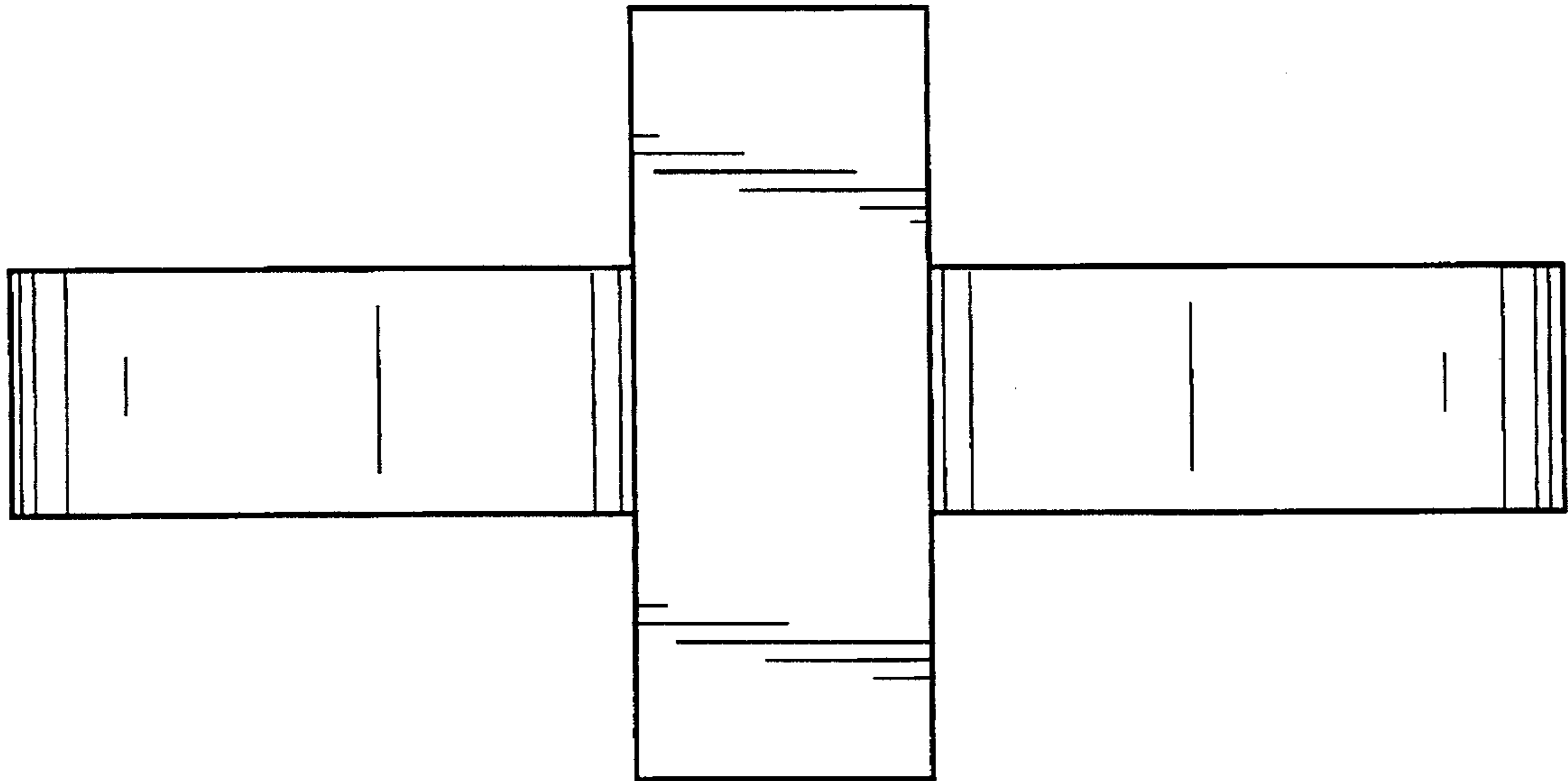


FIG. 6

