



US00D374601S

United States Patent [19]

Olson

[11] Patent Number: **Des. 374,601**

[45] Date of Patent: ****Oct. 15, 1996**

[54] **U-SHAPED SUPPORT STRUCTURE FOR MOUNTING A SUBSTRATE**

[75] Inventor: **Jeffrey C. Olson, Wilkes-Barre, Pa.**

[73] Assignee: **Metro Industries, Inc., Reno, Nev.**

[**] Term: **14 Years**

[21] Appl. No.: **35,489**

[22] Filed: **Feb. 28, 1995**

[52] U.S. Cl. **D8/354**

[58] Field of Search **D8/354; D6/457, D6/458, 462, 566, 511, 491; 211/187; 108/193, 181**

[56] **References Cited**

U.S. PATENT DOCUMENTS

D. 289,479	4/1987	Brancher	D6/511
D. 326,579	6/1992	Leeds	D6/462 X
3,316,864	5/1967	Maslow	108/181 X
4,627,543	12/1986	Nicely	108/181 X
4,637,323	1/1987	Nicely	108/181 X
5,415,302	5/1995	Carlson et al.	211/187

Primary Examiner—Holly H. Baynham
Attorney, Agent, or Firm—Fitzpatrick, Cella, Harper & Scinto

[57] **CLAIM**

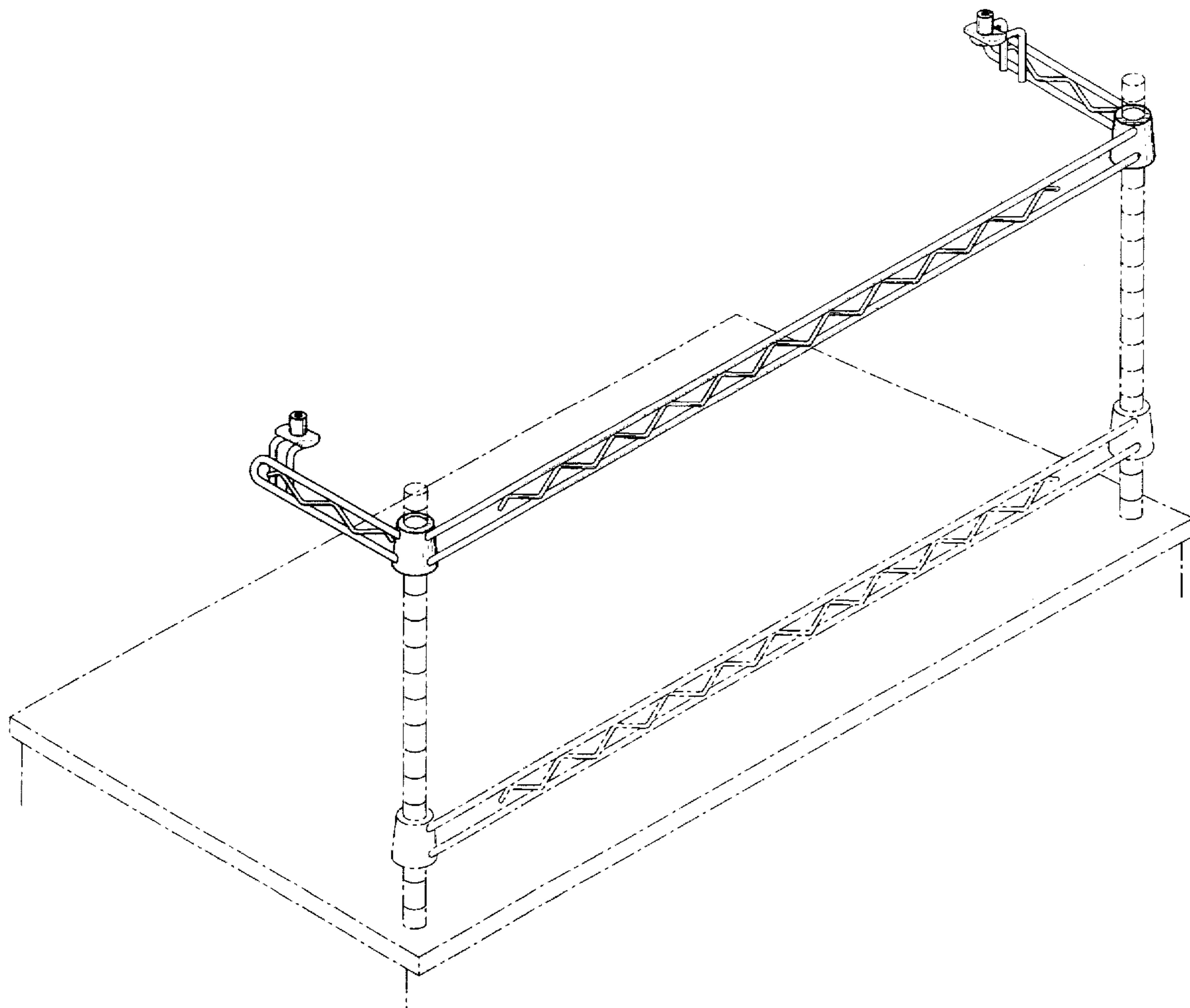
The ornamental design for a U-shaped support structure for mounting a substrate, as shown and described.

DESCRIPTION

FIG. 1 is a front perspective view of a U-shaped support structure for mounting a substrate with the broken line showing of posts and a platform being for illustrative purposes only and forming no part of the claimed design; FIG. 2 is an enlarged front perspective view thereof; FIG. 3 is a front elevational view thereof; FIG. 4 is a top plan view thereof; FIG. 5 is a side elevational view thereof; FIG. 6 is an opposite side view thereof; FIG. 7 is a rear elevational view thereof; and, FIG. 8 is a bottom plan view thereof.

The claimed design is shown broken away in FIGS. 2-8 for ease of illustration.

1 Claim, 5 Drawing Sheets



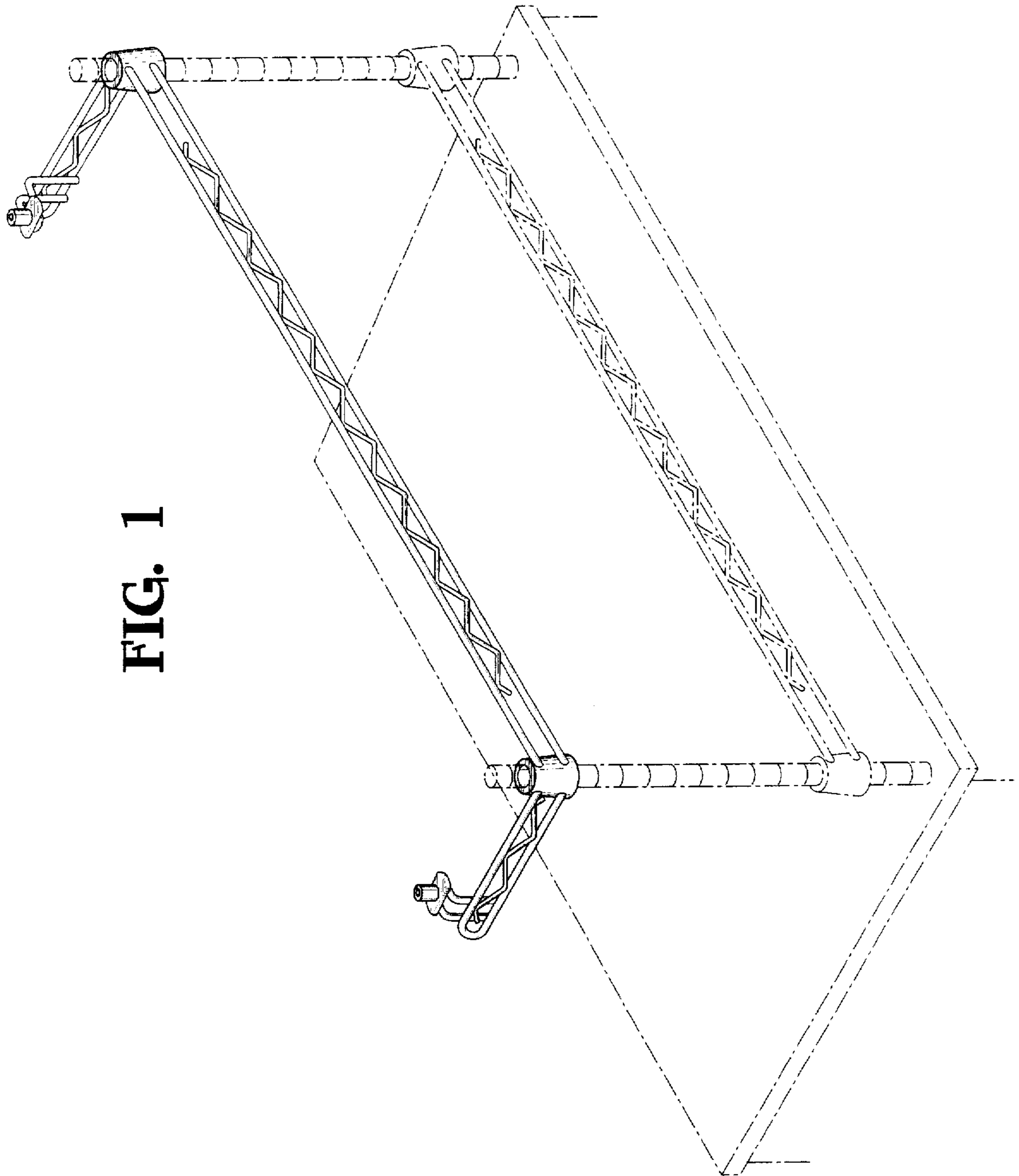


FIG. 1

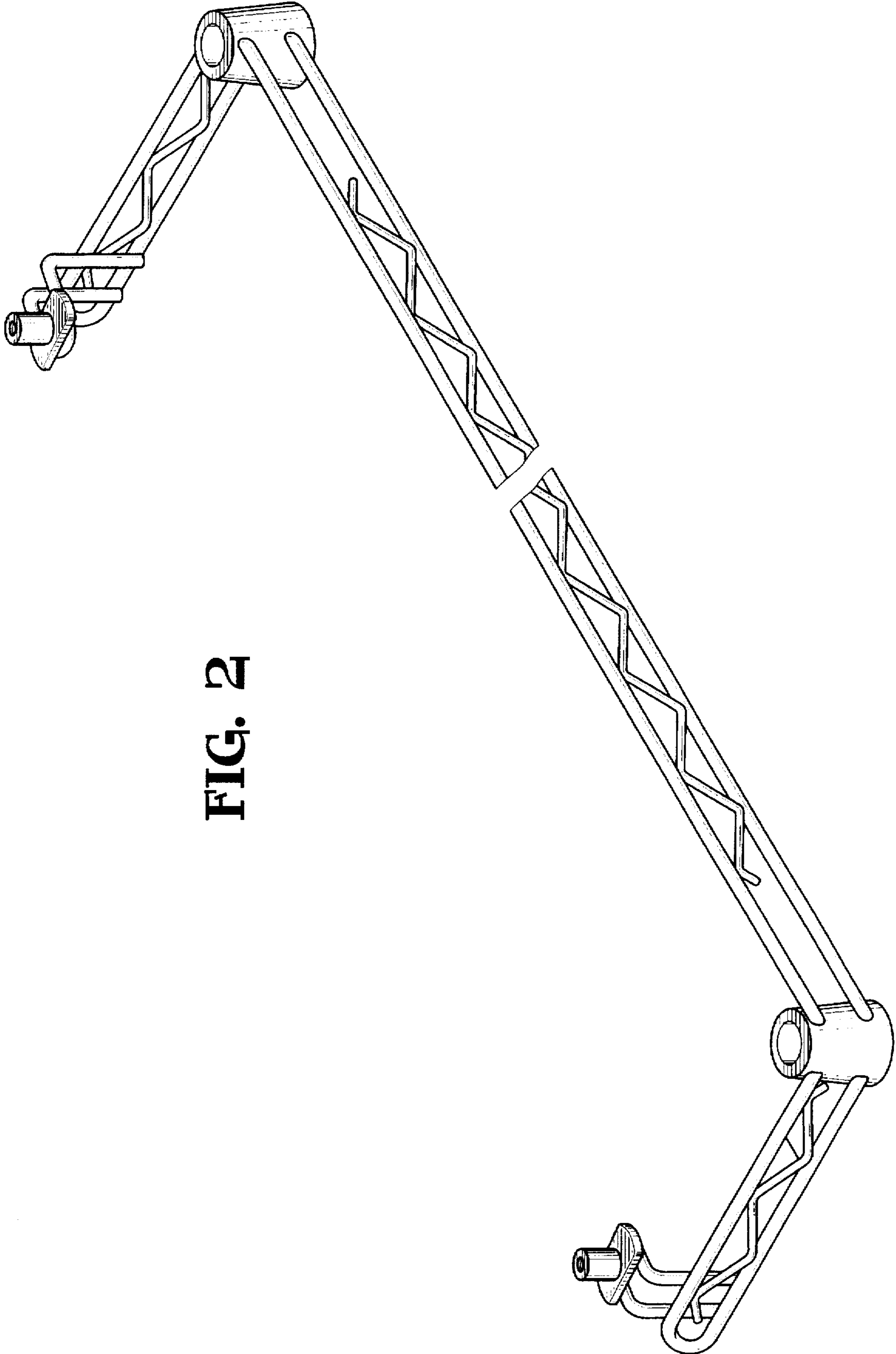


FIG. 2

FIG. 3

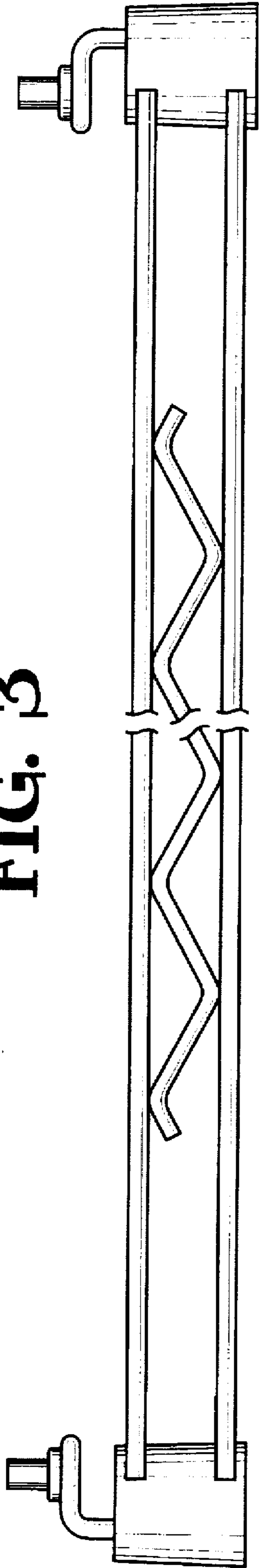


FIG. 4

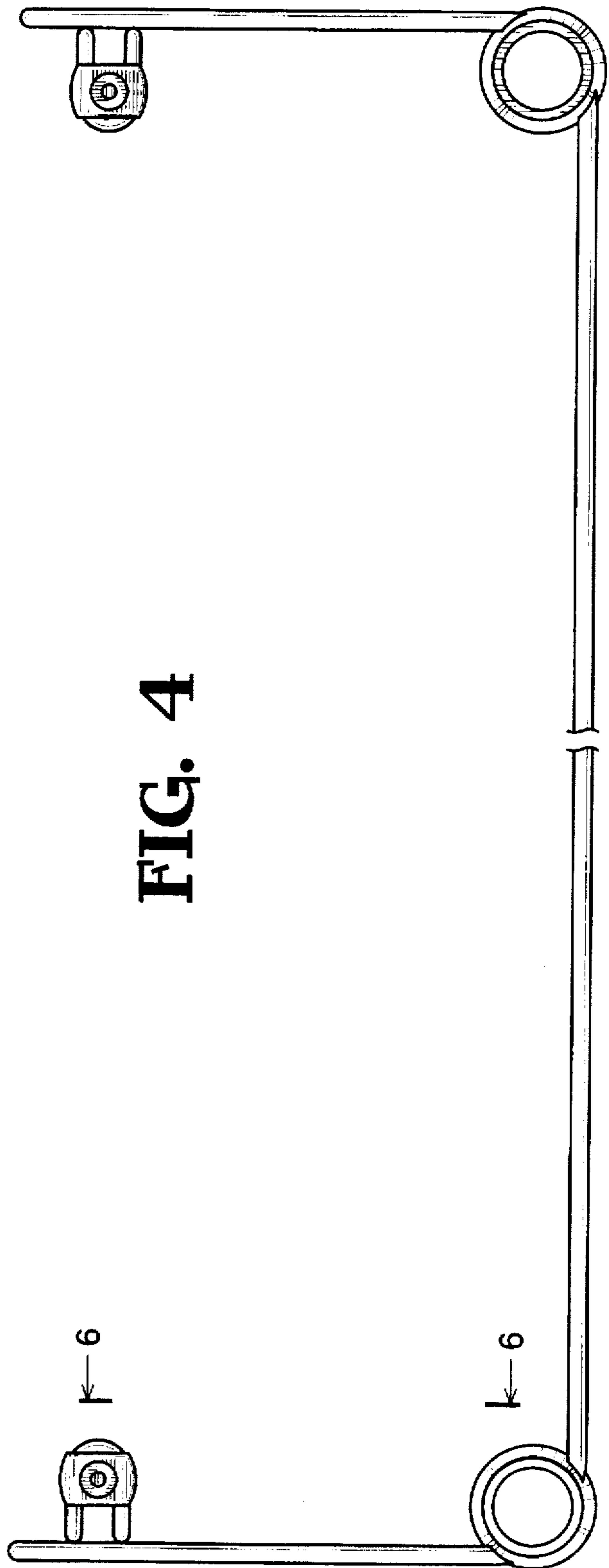


FIG. 5

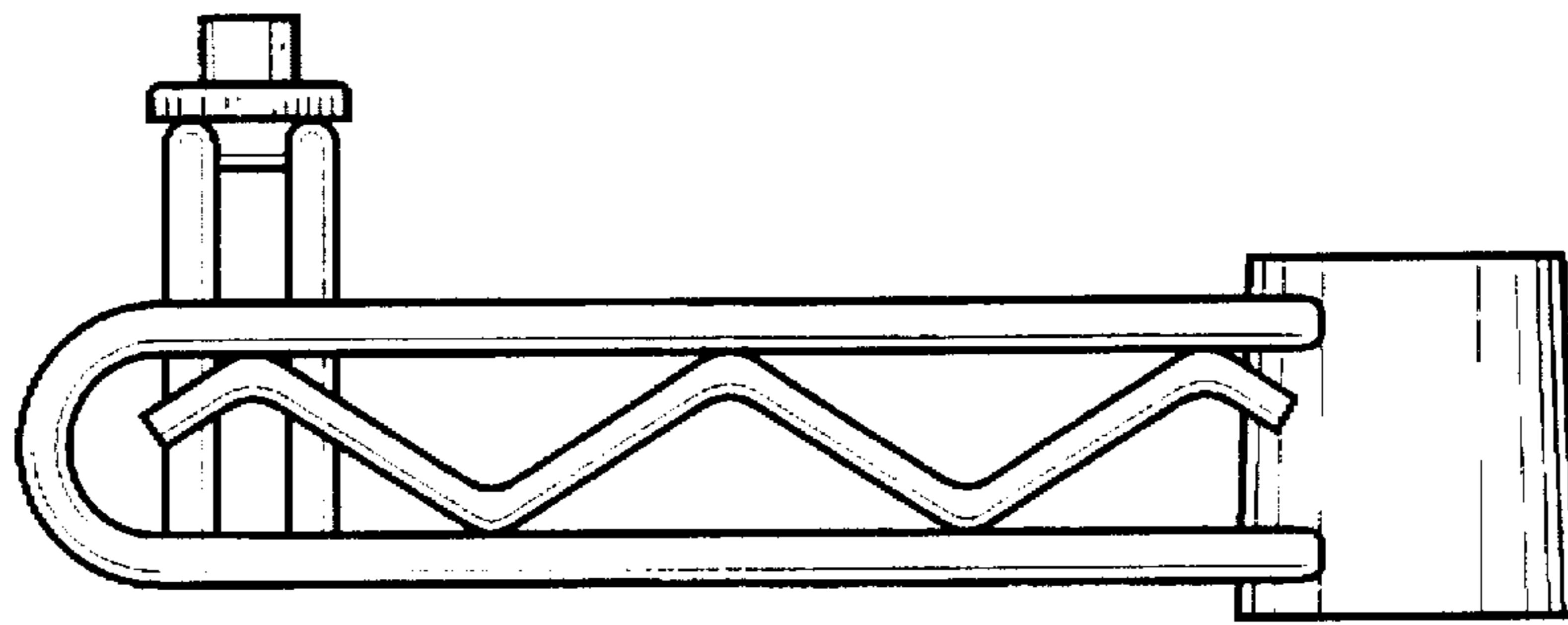


FIG. 6

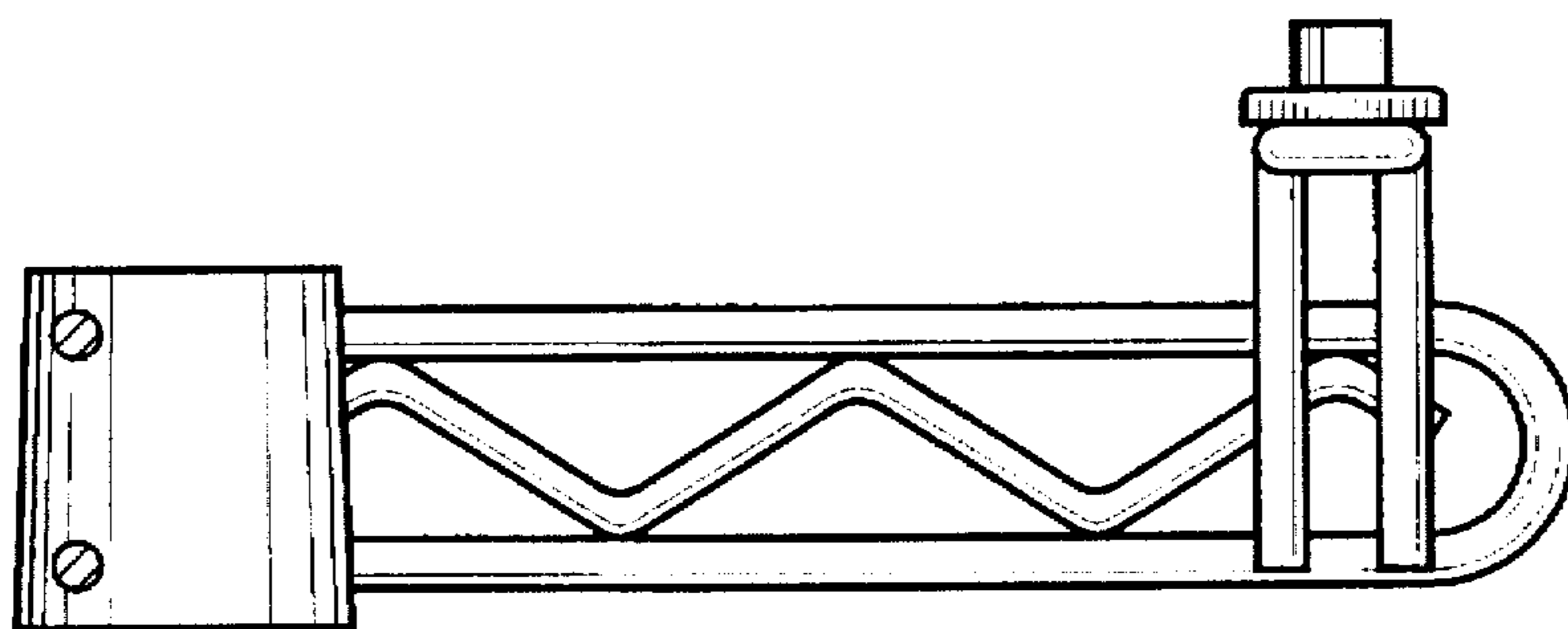


FIG. 7

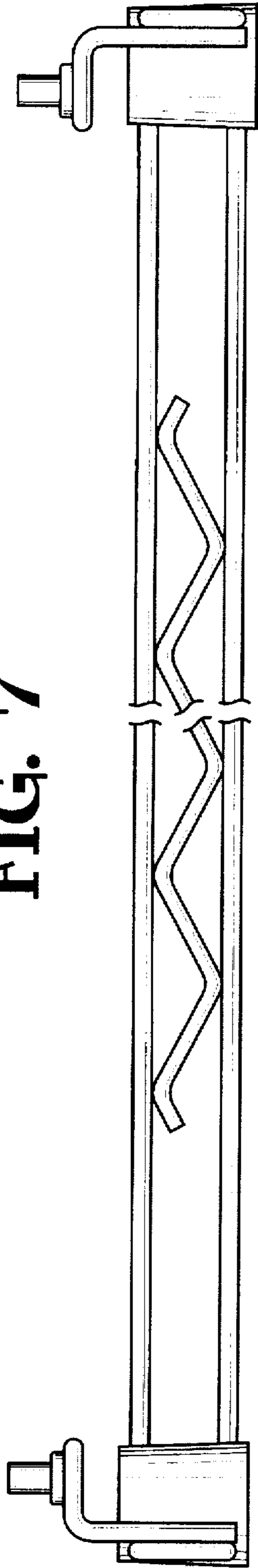
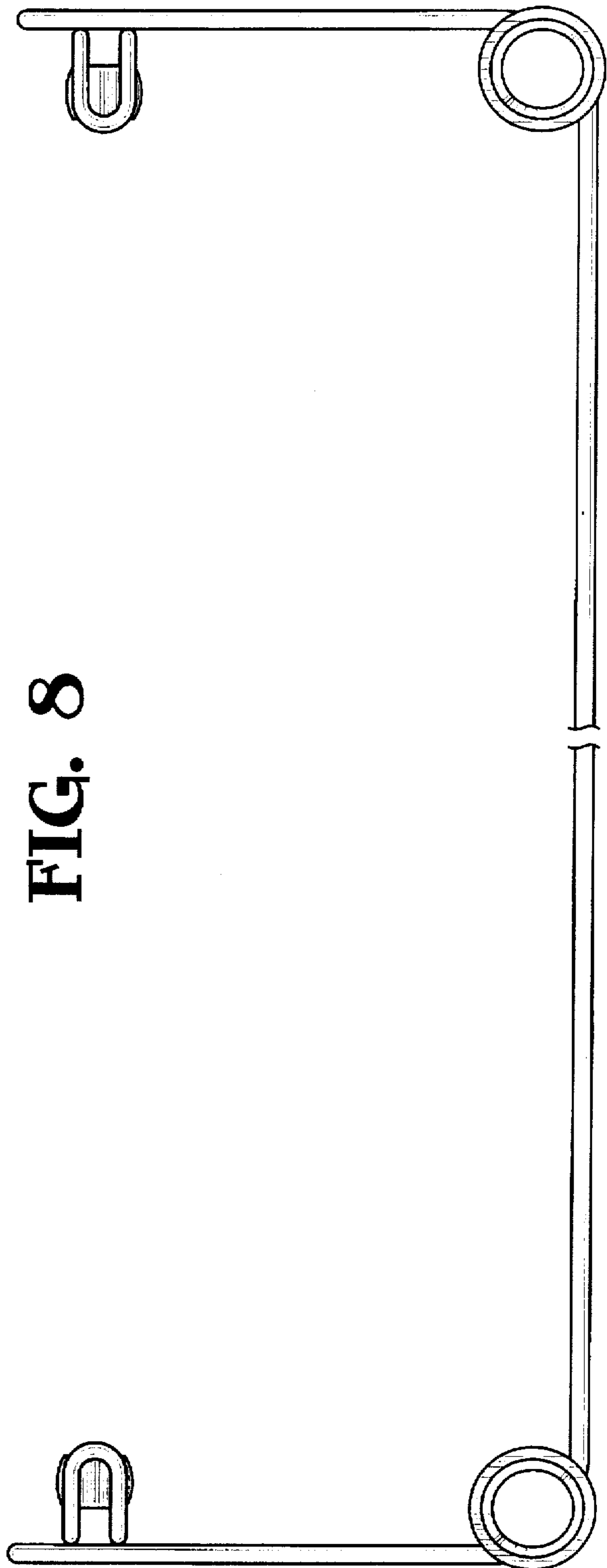


FIG. 8



UNITED STATES PATENT AND TRADEMARK OFFICE
CERTIFICATE OF CORRECTION

PATENT NO. : Des. 374,601

DATED : October 15, 1996

INVENTOR(S) : OLSON

Page 1 of 2

It is certified that error appears in the above-identified patent and that said Letters Patent is hereby corrected as shown below:

On the title page:

Item: [56], REFERENCES CITED,
AFTER LIST OF U.S. PATENT DOCUMENTS

Insert --OTHER PUBLICATIONS

InterMetro Industries Corporation, Super Erecta Shelf®
Wire Shelving Accessories 10.06 (© 1989), 12"
Cantilever Shelves, catalog nos. 1224 CSN, 1230 CSN,
1236 CSN, 1242 CSN, 1248 CSN, 1260 CSN [top of page]

InterMetro Industries Corporation Home Furnishings and
Storage Source Book, pp. 12-13, (© 1993), product no.
LA110B [page 13 - top middle portion]--.

UNITED STATES PATENT AND TRADEMARK OFFICE
CERTIFICATE OF CORRECTION

PATENT NO. : Des. 374,601
DATED : October 15, 1996
INVENTOR(S) : OLSON

Page 2 of 2

It is certified that error appears in the above-identified patent and that said Letters Patent is hereby corrected as shown below:

Item: [57], DESCRIPTION

Delete "The claimed design is shown broken away in Figs. 2-8 for ease of illustration" and insert same preceding the claim.

Signed and Sealed this
Twenty-fifth Day of March, 1997

Attest:



BRUCE LEHMAN

Attesting Officer

Commissioner of Patents and Trademarks