



US00D374600S

United States Patent [19]

Buttner

[11] Patent Number: **Des. 374,600**

[45] Date of Patent: ****Oct. 15, 1996**

[54] TIRE LOCKER

4,441,586 4/1984 Bernier 70/225

[76] Inventor: **Sigfredo J. Buttner**, 1115 N. El Paso St., El Paso, Tex. 79902-3935

Primary Examiner—Brian N. Vinson
Attorney, Agent, or Firm—Harpman & Harpman

[**] Term: **14 Years**

[57] CLAIM

[21] Appl. No.: **44,191**

The ornamental design for a tire locker, as shown and described.

[22] Filed: **Sep. 20, 1995**

DESCRIPTION

[52] U.S. Cl. **D8/331; D8/346**

[58] Field of Search D8/330, 331, 336, D8/343, 346; 70/14, 16, 225-228, 233-234, 237, 259-260

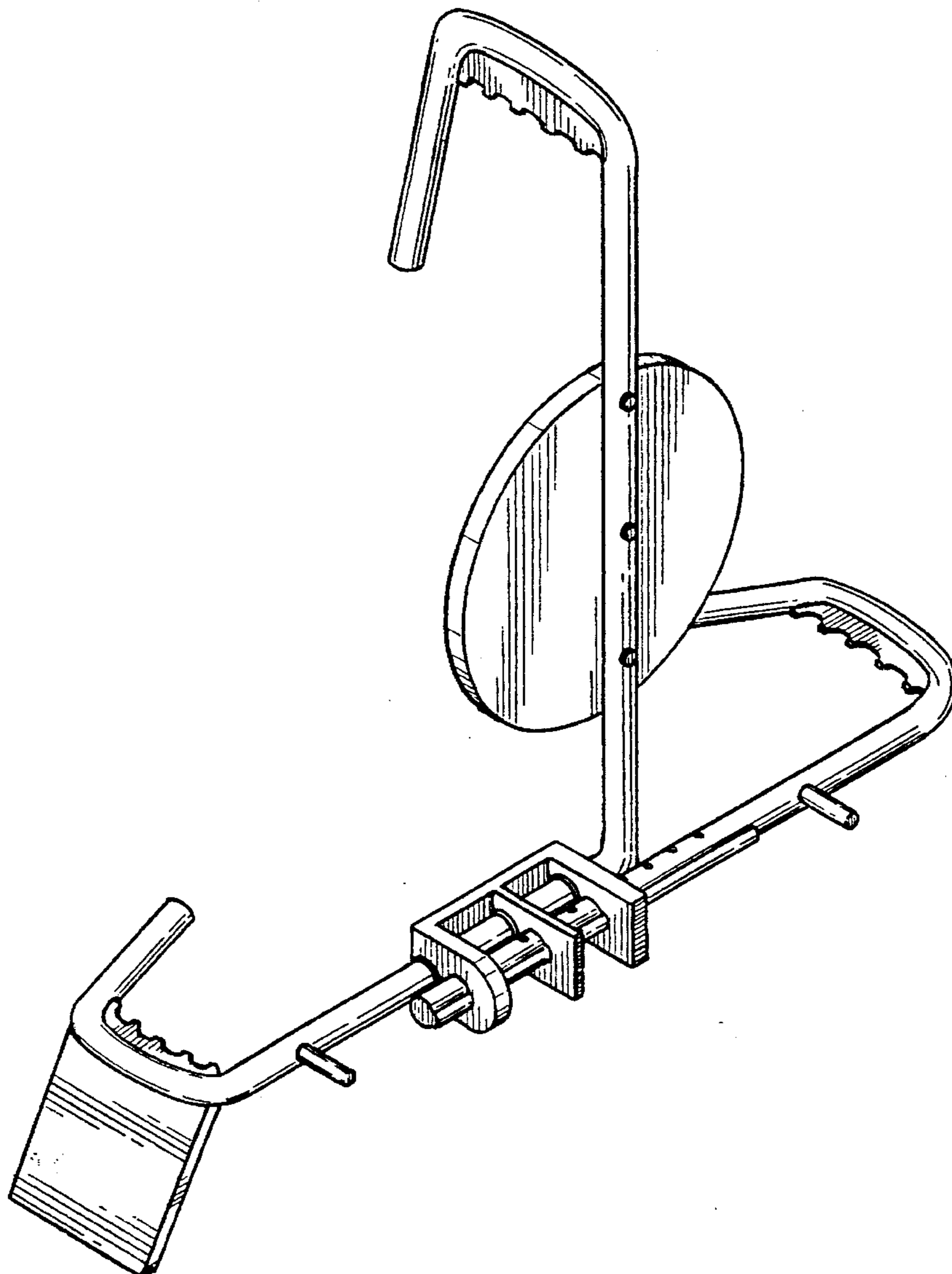
FIG. 1 is a front, top and side perspective view of the tire locker embodying the design of the present invention; FIG. 2 is a front elevational view thereof; FIG. 3 is a rear elevational view thereof; FIG. 4 is a side elevational view thereof; FIG. 5 is a side elevational view thereof; FIG. 6 is a top plan view thereof; and, FIG. 7 is a bottom plan view thereof.

[56] References Cited

U.S. PATENT DOCUMENTS

D. 221,417	8/1971	Prichard	D8/333
D. 275,073	8/1984	Winter	D8/330
D. 296,867	7/1988	Owen	D8/333
4,033,160	7/1977	Mima	70/227 X

1 Claim, 4 Drawing Sheets



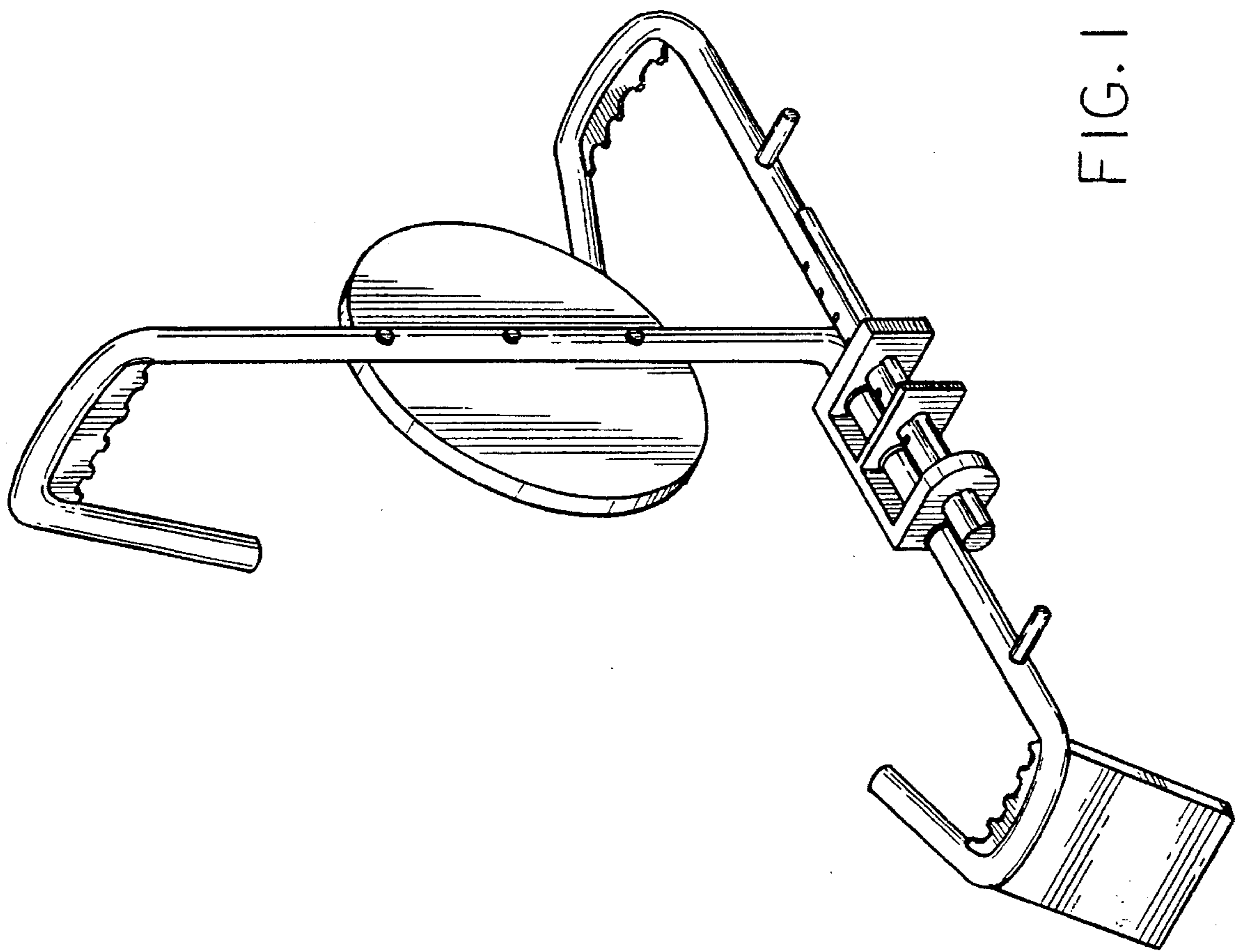


FIG. 1

FIG. 3

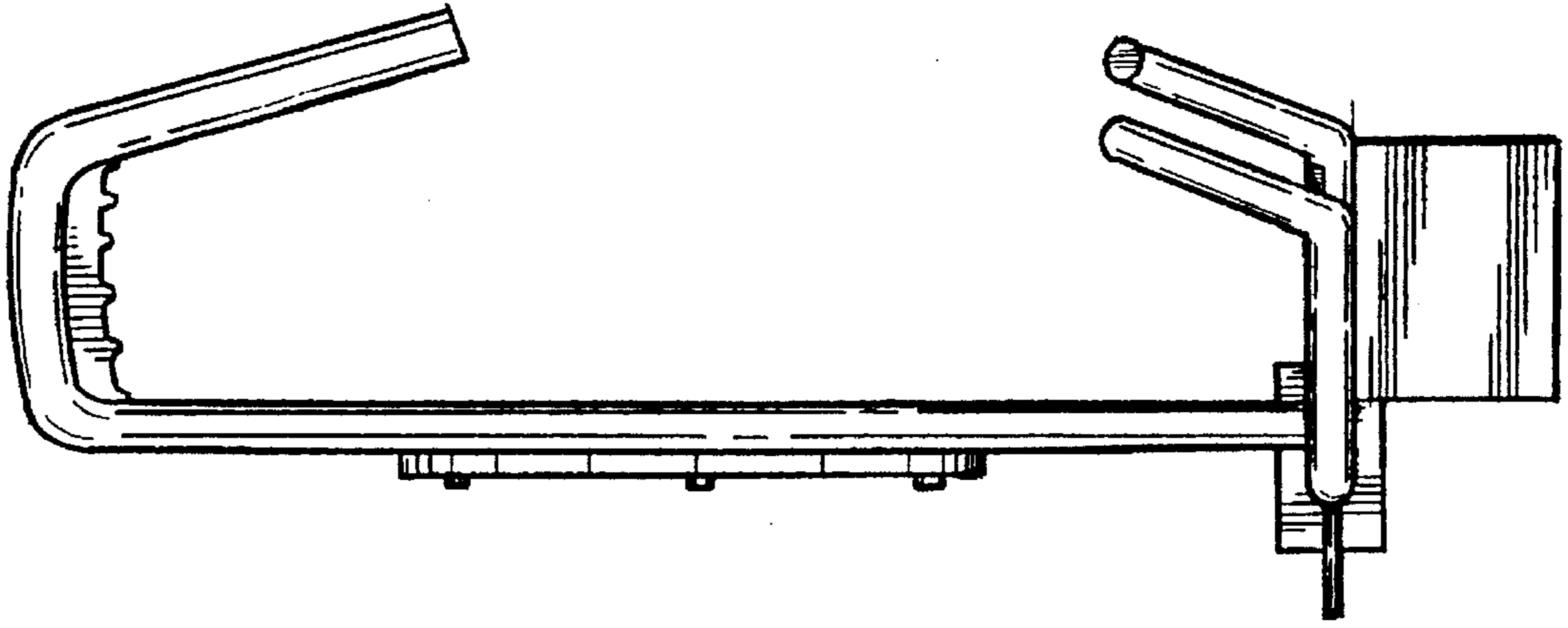
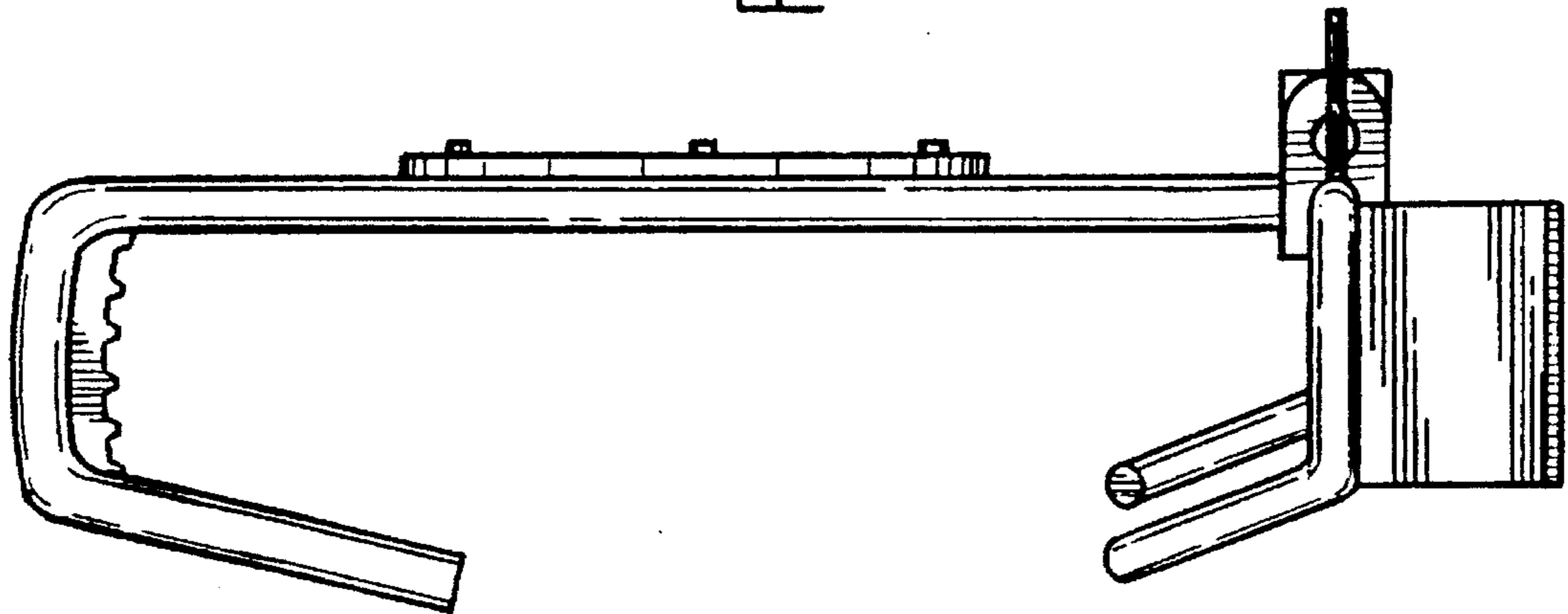


FIG. 2



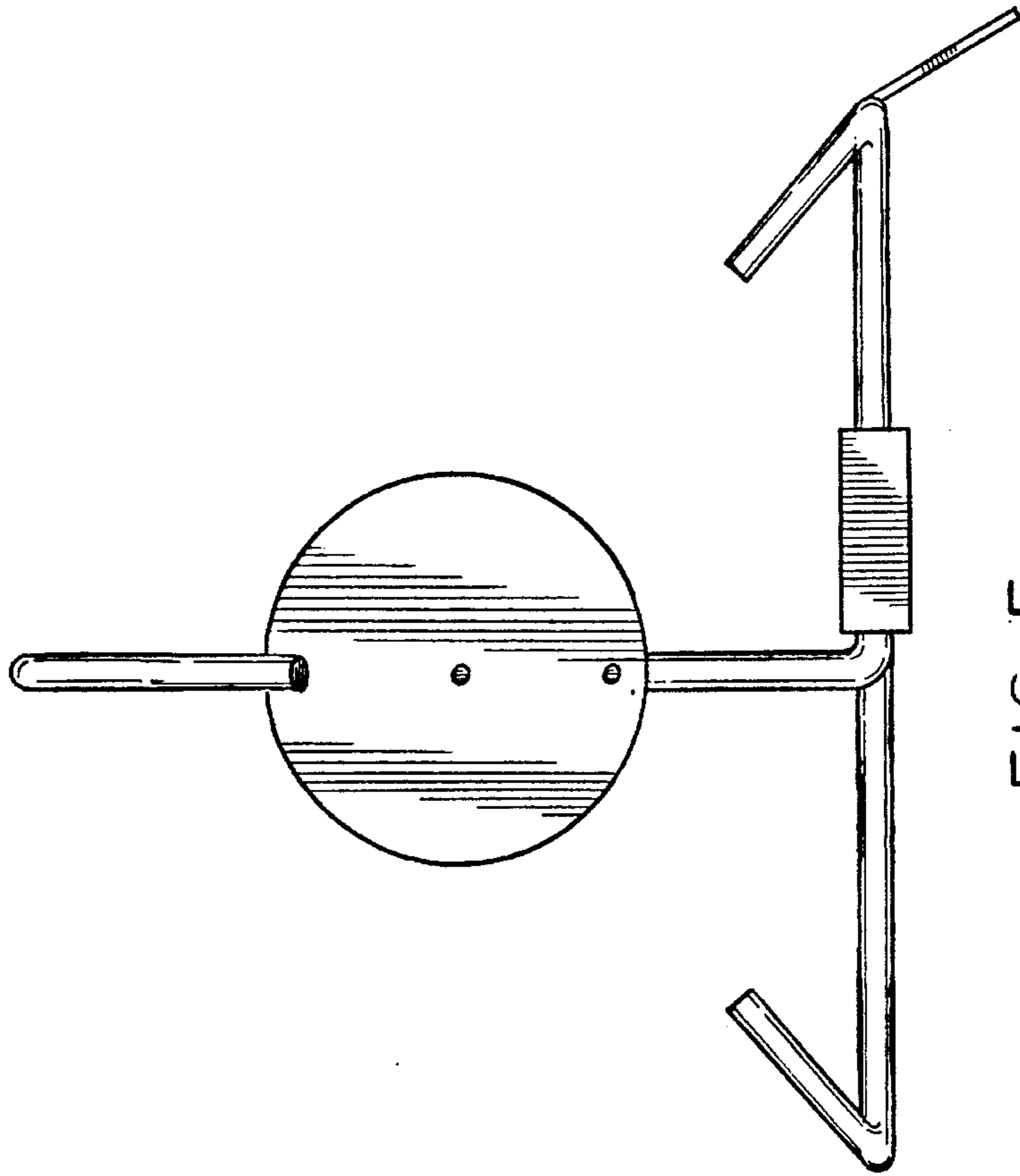


FIG. 5

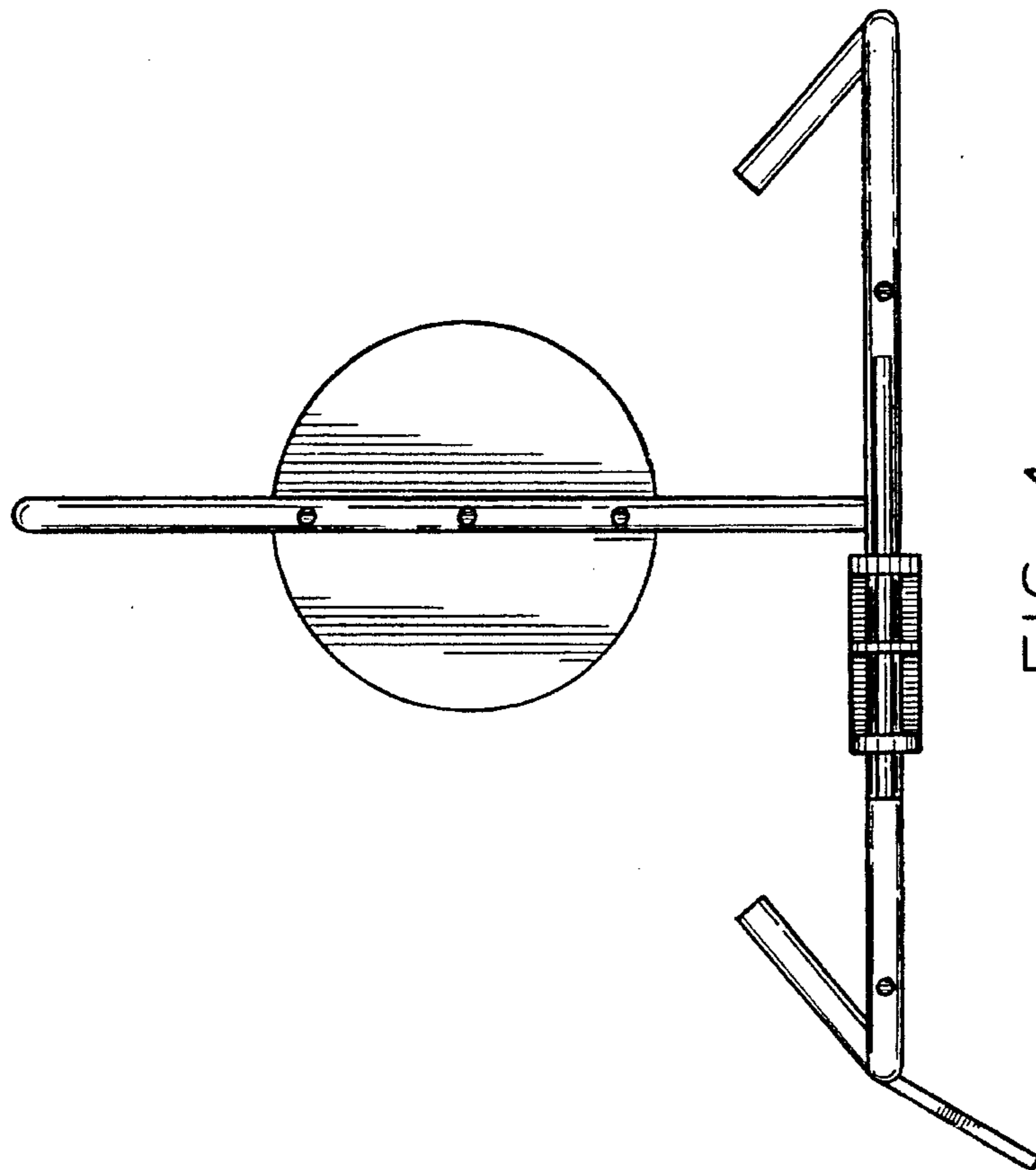


FIG. 4

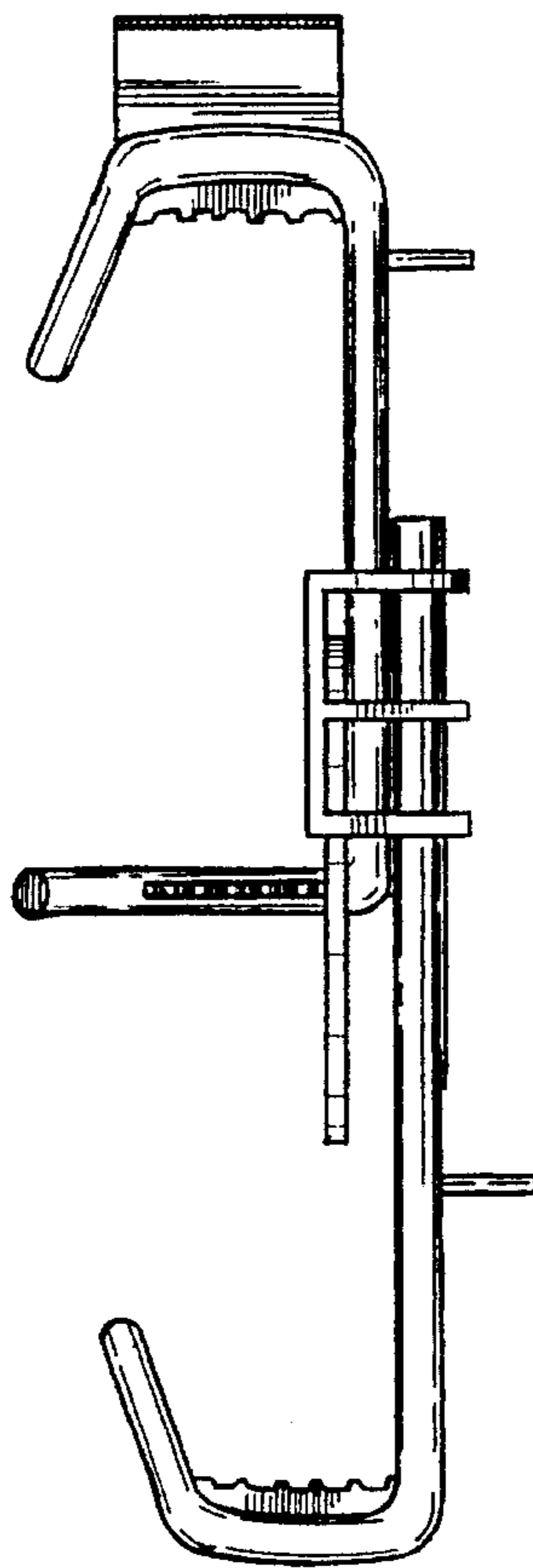


FIG. 7

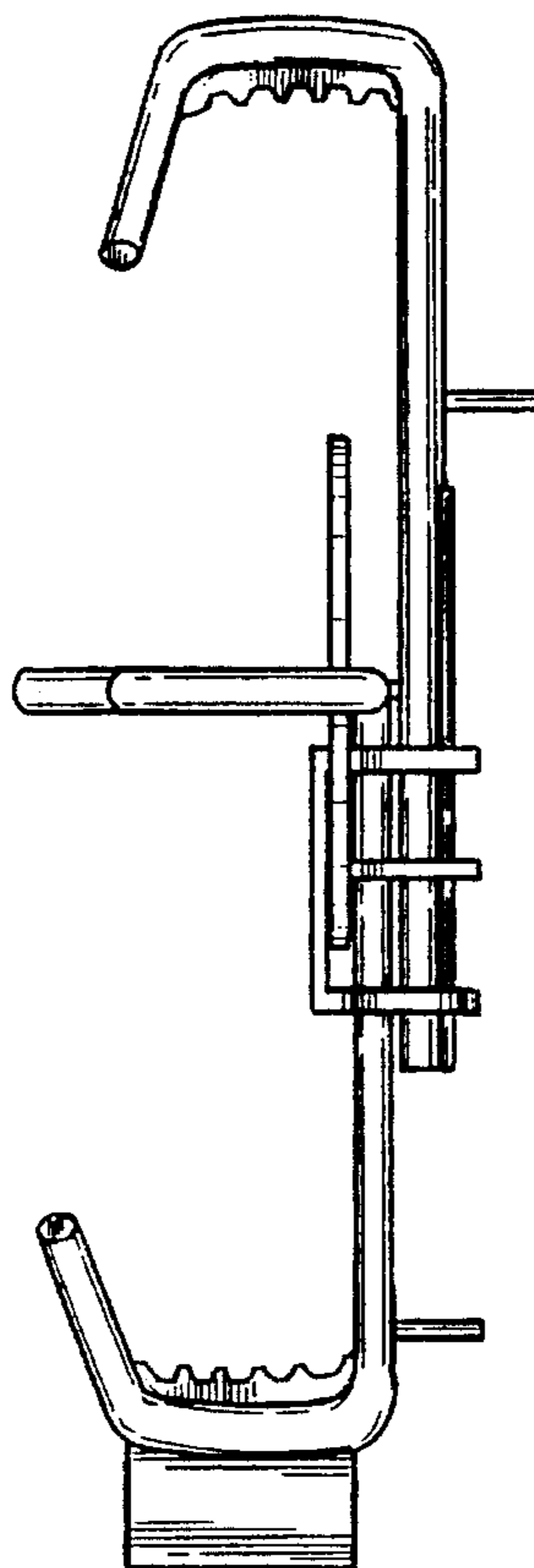


FIG. 6