



US00D374595S

United States Patent [19]
Welder

[11] **Patent Number: Des. 374,595**

[45] **Date of Patent: **Oct. 15, 1996**

[54] **STUD FINDER**

[76] Inventor: **Anton P. Welder**, 222 N. 7th St. Box 835, Bismarck, N. Dak. 58501

[**] Term: **14 Years**

[21] Appl. No.: **34,161**

[22] Filed: **Jan. 27, 1995**

[52] U.S. Cl. **D8/14**

[58] Field of Search D8/14; 294/65.5; 324/67, 214, 228; D10/65, 69

[56] **References Cited**

U.S. PATENT DOCUMENTS

1,307,654	6/1919	Bergonie	324/228 X
3,845,384	10/1974	Stoutenberg et al.	324/228
5,296,806	3/1994	Hurl	324/67 X

FOREIGN PATENT DOCUMENTS

649820	10/1992	Australia	324/67
--------	---------	-----------------	--------

Primary Examiner—B. J. Bullock
Assistant Examiner—Richelle Shelton
Attorney, Agent, or Firm—David A. Lingbeck

[57] **CLAIM**

The ornamental design for a stud finder, as shown and described.

DESCRIPTION

FIG. 1 is a top perspective view of a stud finder showing my new design;

FIG. 2 is a top plan view thereof;

FIG. 3 is a bottom plan view thereof;

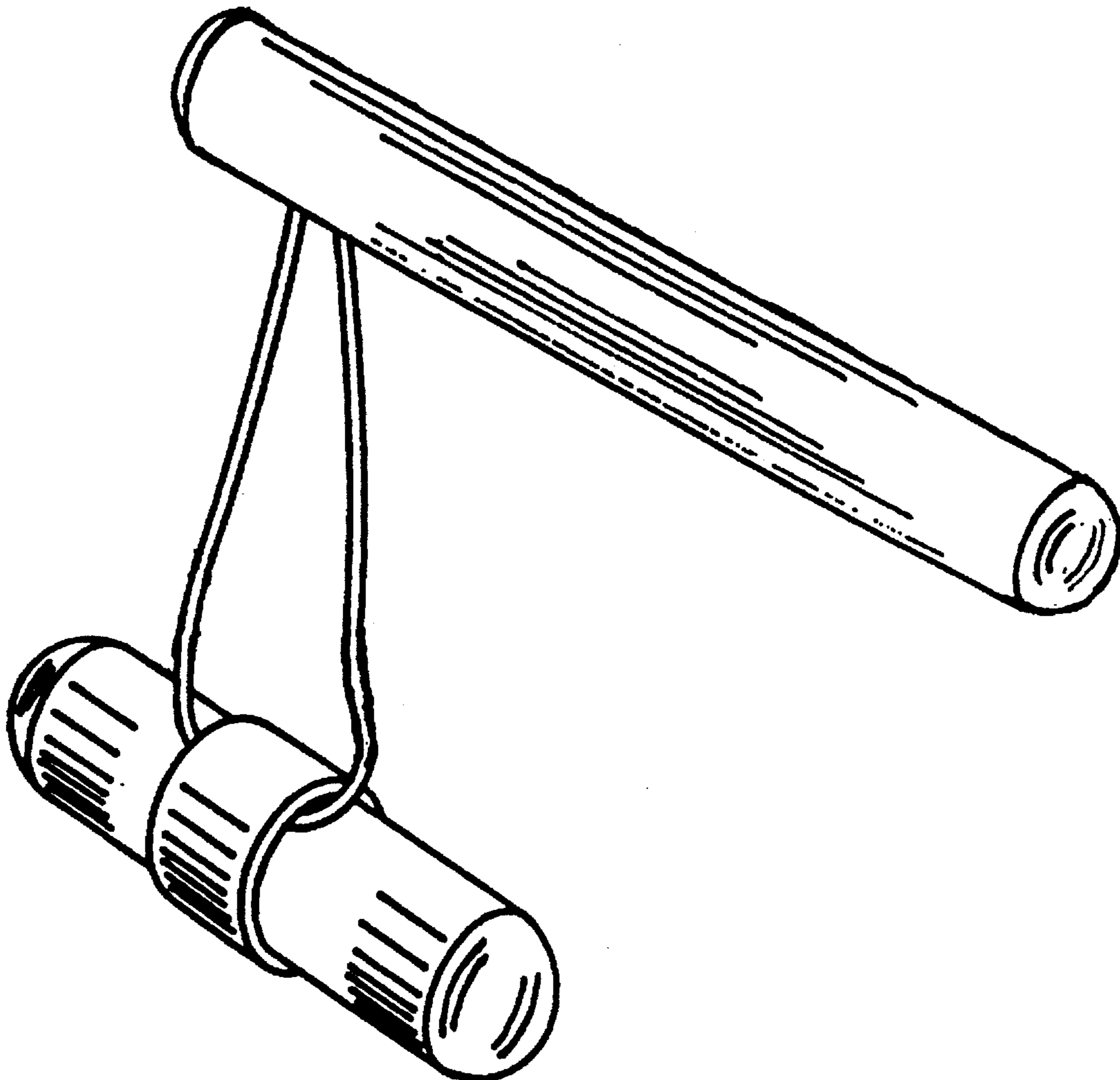
FIG. 4 is a front side view thereof;

FIG. 5 is a back side view thereof;

FIG. 6 is a left side view thereof; and,

FIG. 7 is a right side view thereof.

1 Claim, 2 Drawing Sheets



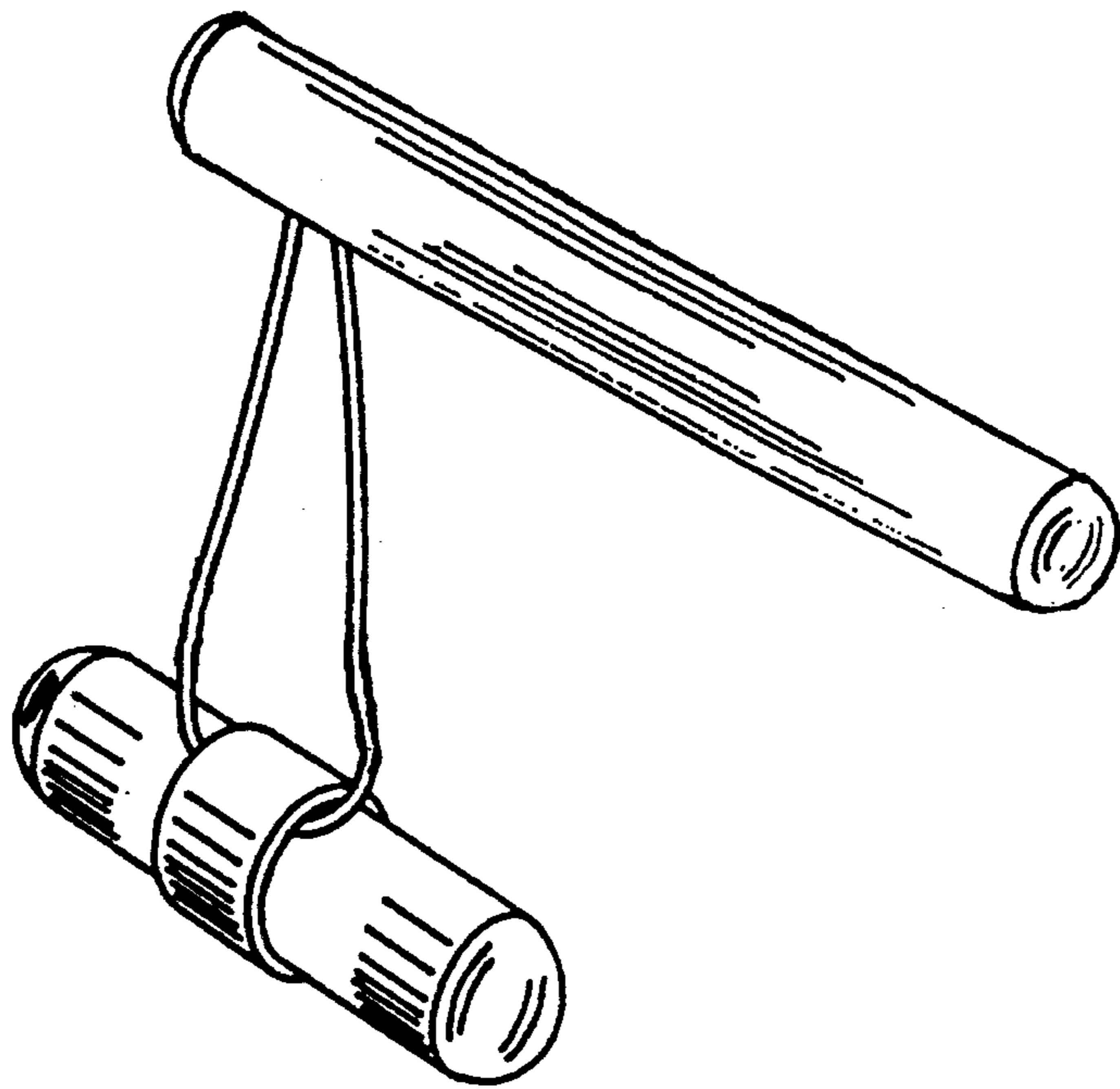


FIG. 1



FIG. 2

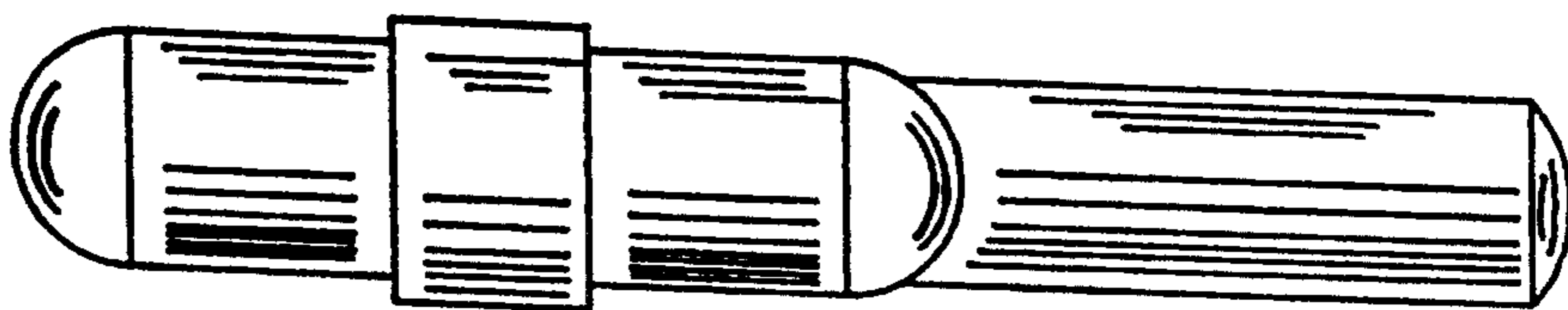


FIG. 3

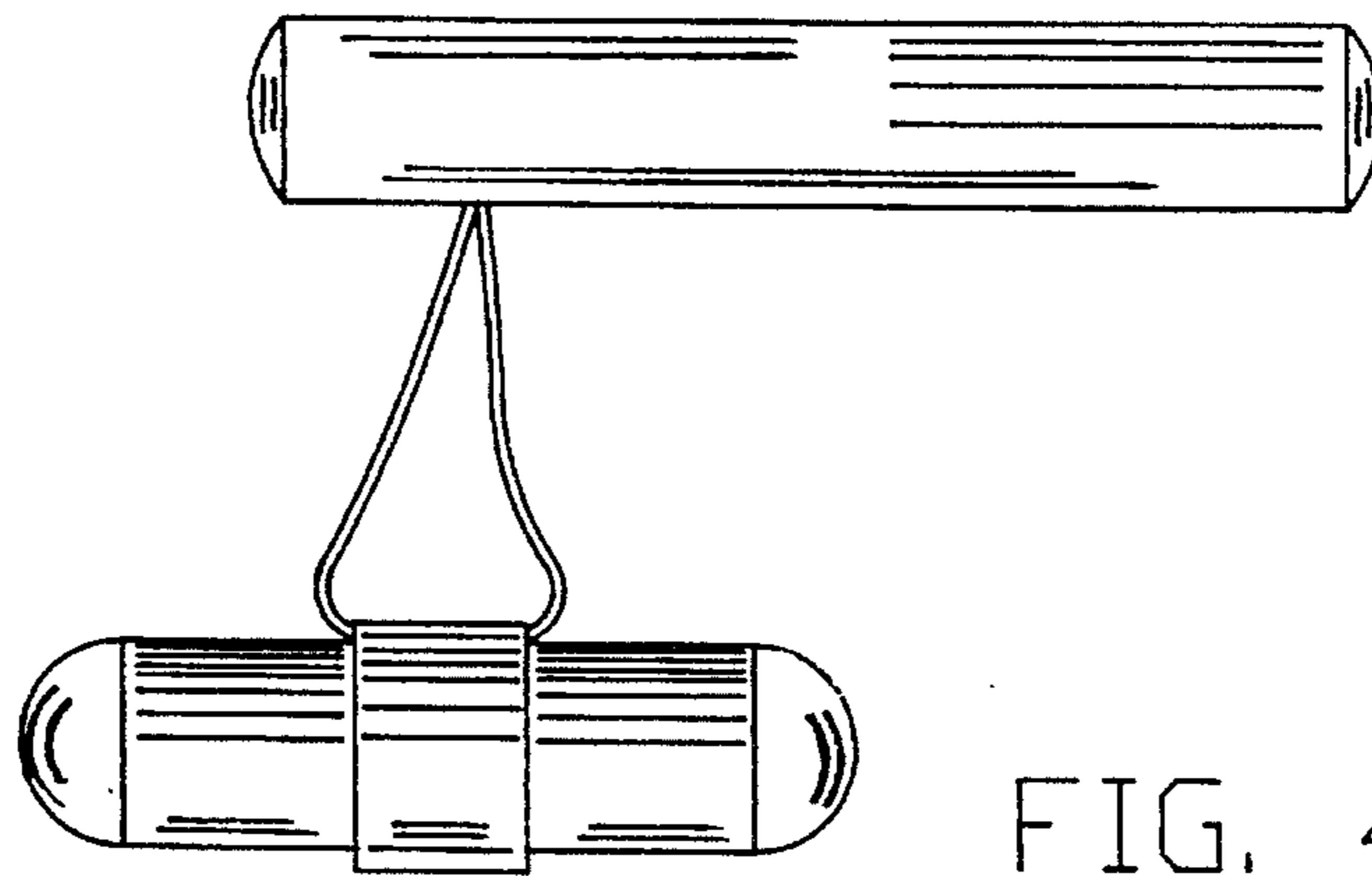


FIG. 4

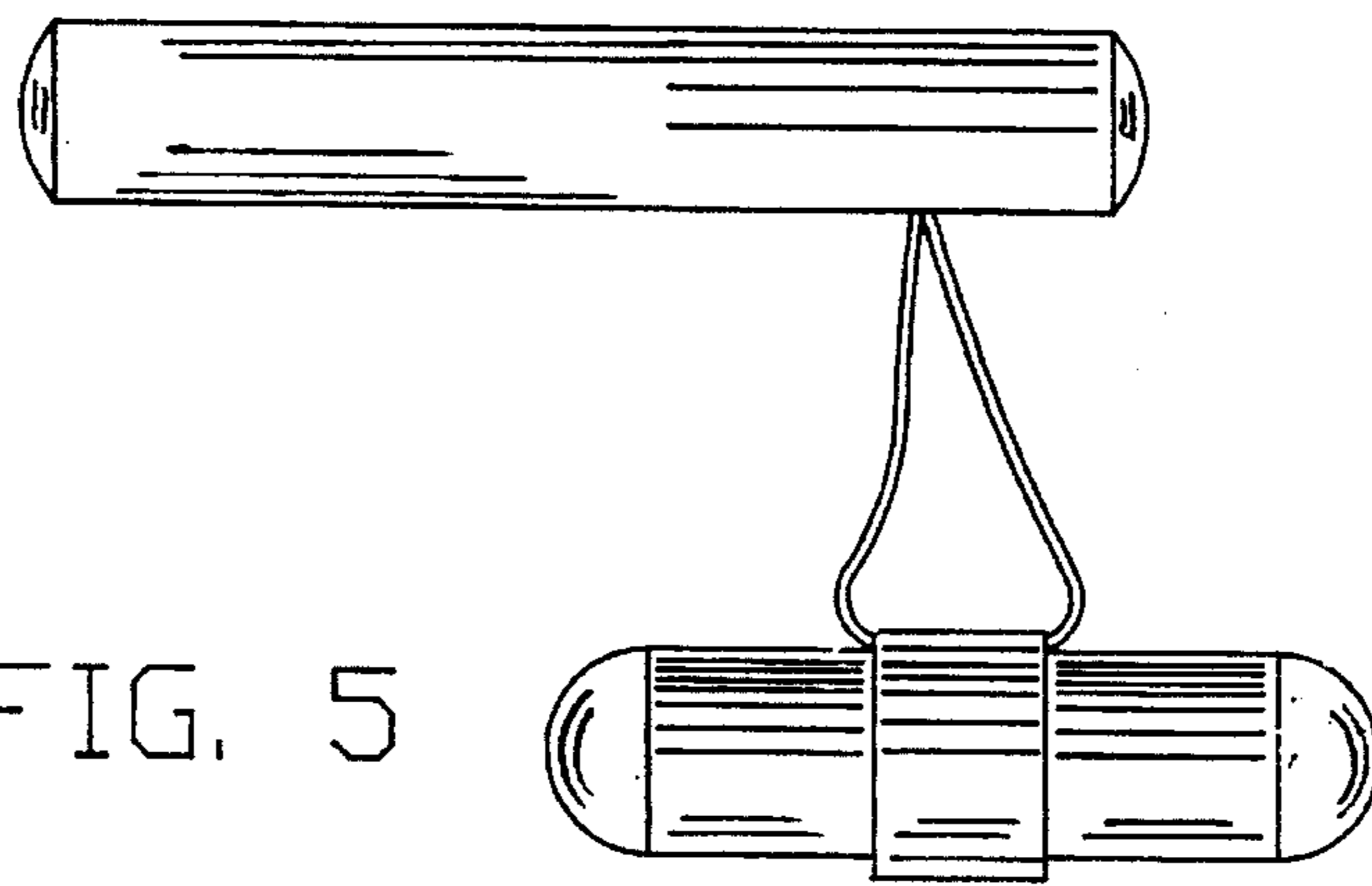


FIG. 5



FIG. 6



FIG. 7