



US00D374590S

United States Patent [19]

Ahern, Jr.

[11] Patent Number: **Des. 374,590**

[45] Date of Patent: ****Oct. 15, 1996**

[54] **FOOD STORAGE CONTAINER LID**

[75] Inventor: **Richard B. Ahern, Jr., Akron, Ohio**

[73] Assignee: **Rubbermaid Incorporated, Wooster, Ohio**

[**] Term: **14 Years**

[21] Appl. No.: **45,893**

[22] Filed: **Nov. 1, 1995**

[52] U.S. Cl. **D7/392.1; D7/392; D9/450**

[58] Field of Search **D7/392, 391, 392.1, D7/538, 629; D9/429, 435, 434, 445, 452, 453, 454, 450; 220/306**

[56] **References Cited**

U.S. PATENT DOCUMENTS

D. 228,867	10/1973	Mallonn	D7/131
D. 228,886	10/1973	Renou	D9/439
D. 229,737	1/1974	Taylor	D7/131
D. 230,342	2/1974	Mallonn	D7/131
D. 230,343	2/1974	Mallonn	D7/131
D. 230,344	2/1974	Taylor	D7/131
D. 230,556	3/1974	Mallonn	D7/131
D. 246,344	11/1977	Yonkers	D7/131
D. 273,837	5/1984	De Coster	D7/391
D. 274,030	5/1984	Daenen et al.	D7/391
D. 277,724	2/1985	Daenen et al.	D7/392
D. 284,728	7/1986	Trivison	D7/79
D. 306,830	3/1990	De Coster	D9/449 X
D. 314,708	2/1991	De Coster	D9/449
D. 315,103	3/1991	Bennett	D9/447
D. 318,777	8/1992	Freese	D7/392
D. 329,604	9/1992	Kuczer	D9/435 X
D. 331,537	12/1992	Tucker	D9/449 X
D. 334,341	3/1993	Brown et al.	D9/447
D. 336,017	6/1993	Smith et al.	D7/629
D. 339,958	10/1993	Olsen et al.	D7/392.1
D. 346,720	5/1994	Onneweer	D7/629
D. 359,905	7/1995	Molo	D9/447
D. 360,105	7/1995	Doxey	D7/391
D. 363,638	10/1995	Feer	D7/391
2,764,199	9/1956	Tupper	158/5
3,090,537	5/1963	Pasciak	229/1.5

3,417,897	12/1968	Johnson	220/306
3,421,654	1/1969	Hexel	220/306
3,760,972	9/1973	McKirman	220/9
3,773,207	11/1973	Dokoupil et al.	220/27
4,163,496	8/1979	Dogliotti	206/538
4,369,901	1/1983	Hidding	222/480
4,471,880	9/1984	Taylor et al.	220/306
4,693,391	9/1987	Roth	220/359
4,993,603	2/1991	Polhemus	222/472
5,425,467	6/1995	Feer et al.	220/281

OTHER PUBLICATIONS

Pp. 26, 27, 42 and 45, Lids; Tupperware, P.O. Box 2353, Orlando, Florida 32802. Publication date 1994.

Label, Lids; Anchor Hocking Plastics, A Member of the Newell Group, P.O. Box 64610, St. Paul, Minnesota 55102. Publication date 1994.

Label, Lid; Flotool International, 15542 Mosher Avenue, Tustin, California 92680. Publication date 1994.

Pp. 2, 3 and 5, Lids; Decor America Incorporated, 250 West Artesia Boulevard, Compton, California 90220. Publication date 1991.

P. 20, Pouring lids; Dupol-Rubbermaid GmbH, An der Trift 63, D-6072 Dreieich, West Germany. Publication date 1989.

Catalog page, Lids; Rubbermaid Incorporated, 1147 Akron Road, Wooster, Ohio 44691. Publication date 1994.

Primary Examiner—M. N. Pandozzi

Attorney, Agent, or Firm—Richard B. O'Planick; Lisa B. Riedesel

[57] **CLAIM**

The ornamental design for a food storage container lid, as shown and described.

DESCRIPTION

FIG. 1 is a top right front perspective view of a food storage container lid showing my new design;

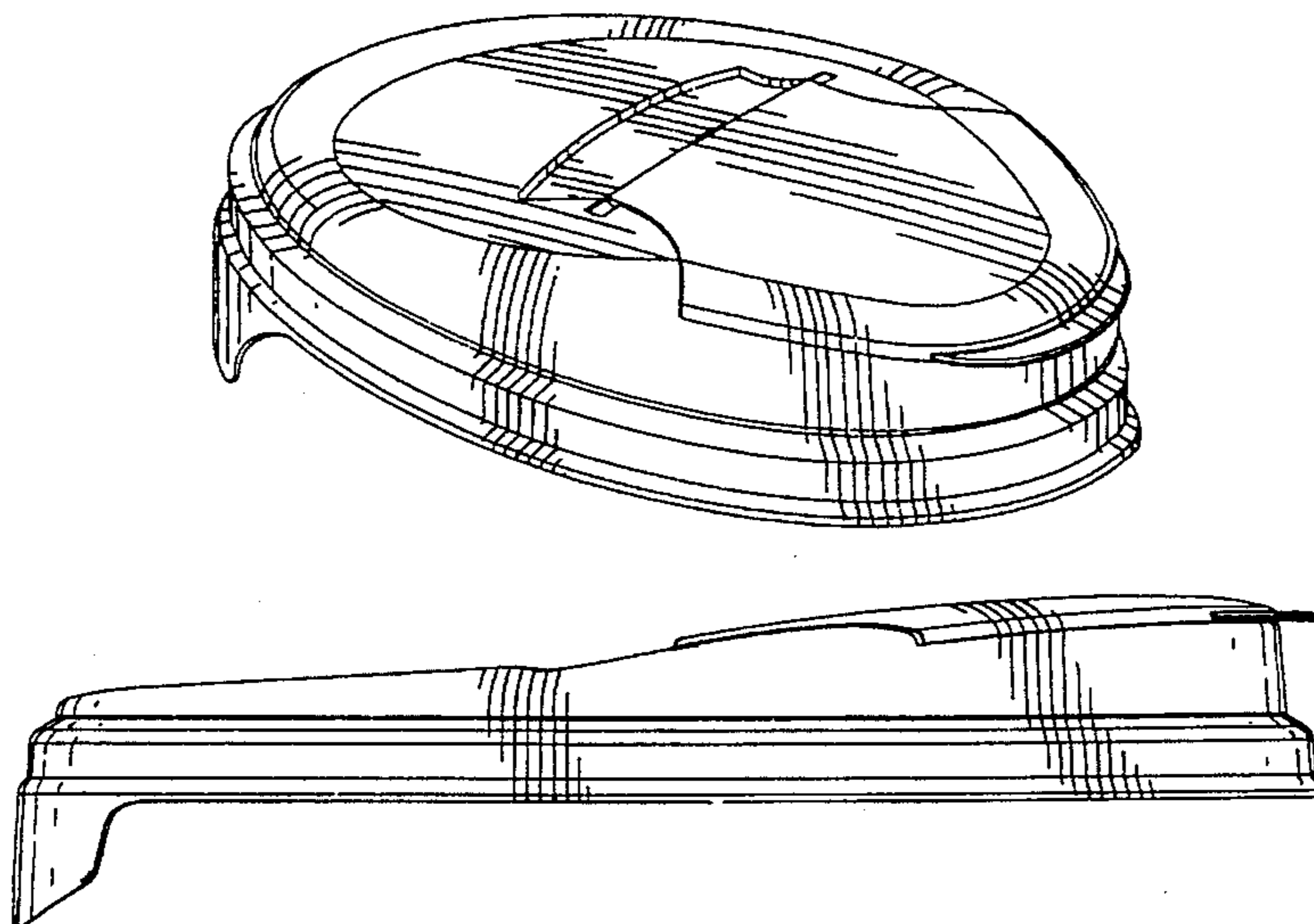
FIG. 2 is a top plan view thereof;

FIG. 3 is a front elevational view thereof; the rear elevational view being a mirror image;

FIG. 4 is a right side elevational view thereof; and,

FIG. 5 is a left side elevational view thereof.

1 Claim, 2 Drawing Sheets



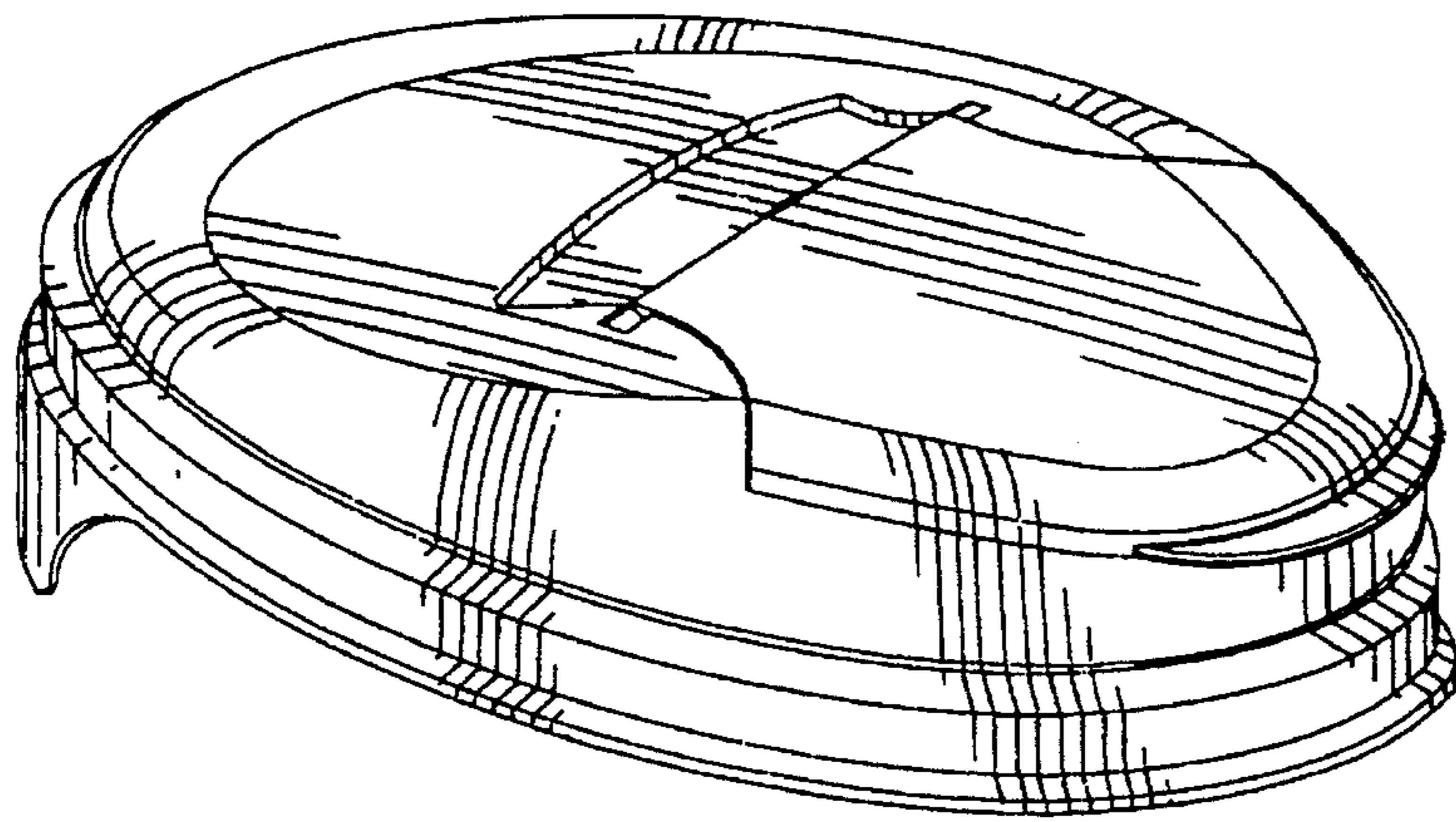


Fig-1

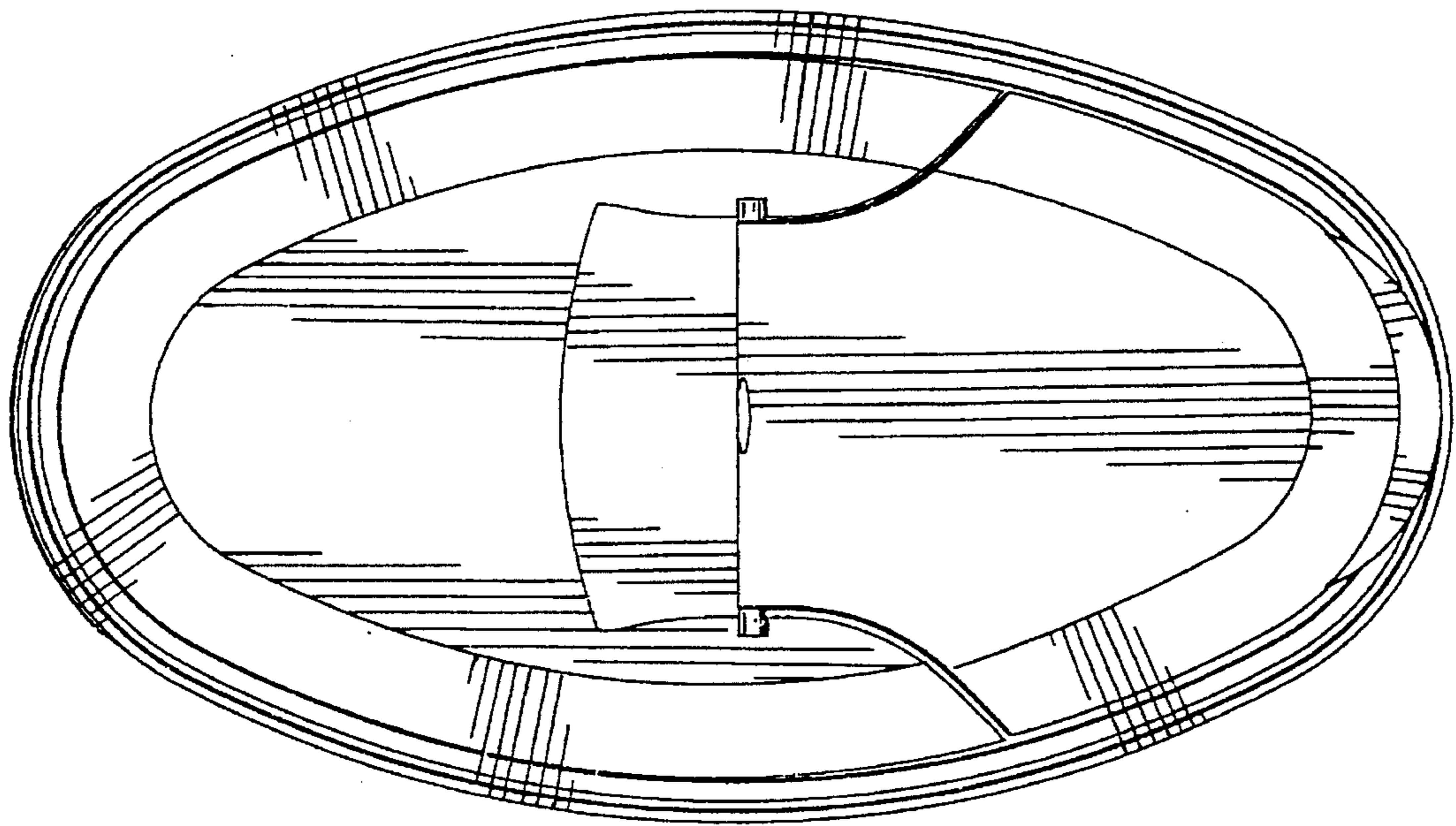


Fig-2

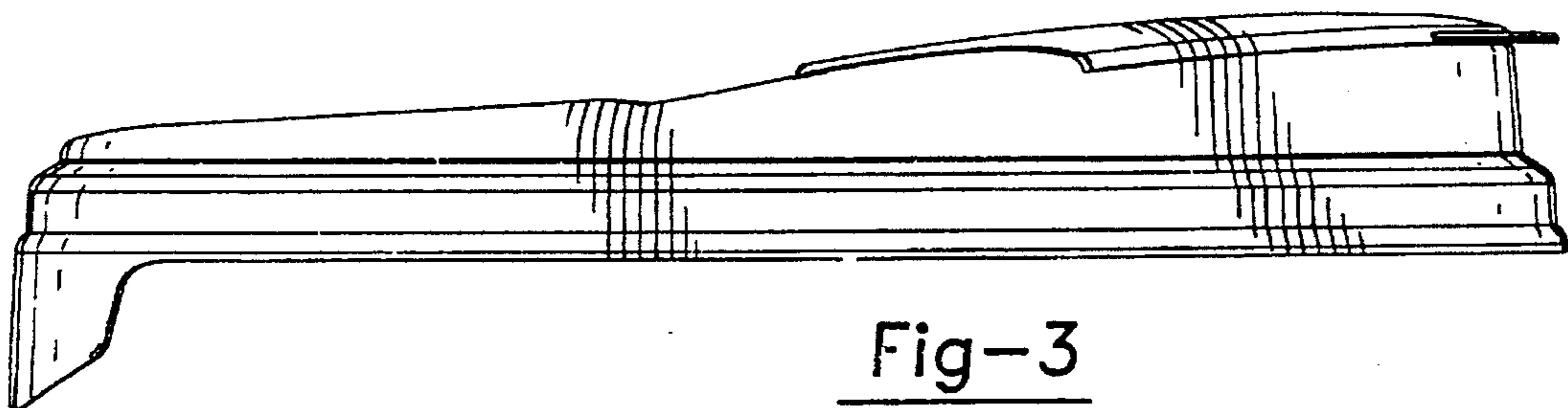


Fig-3

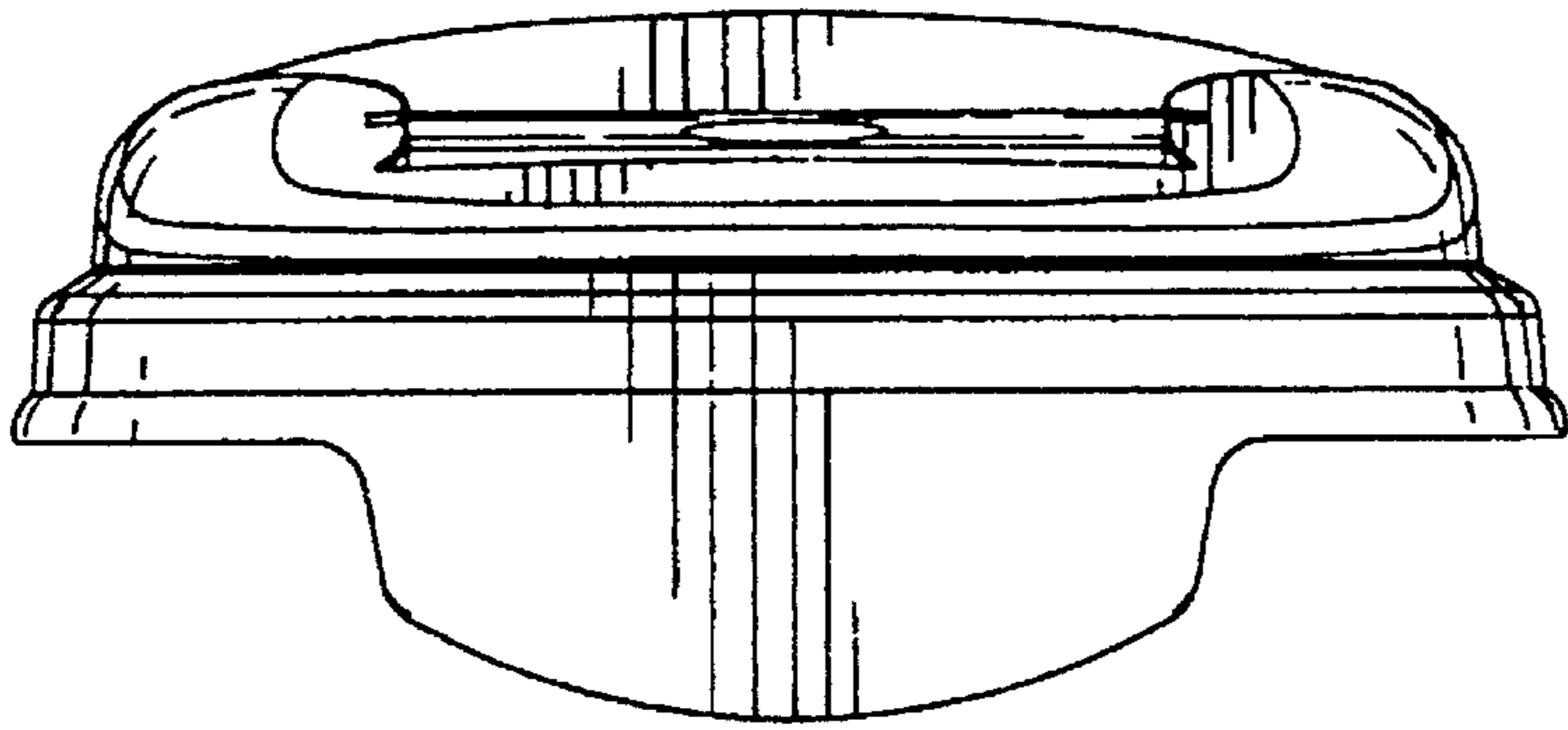


Fig-4

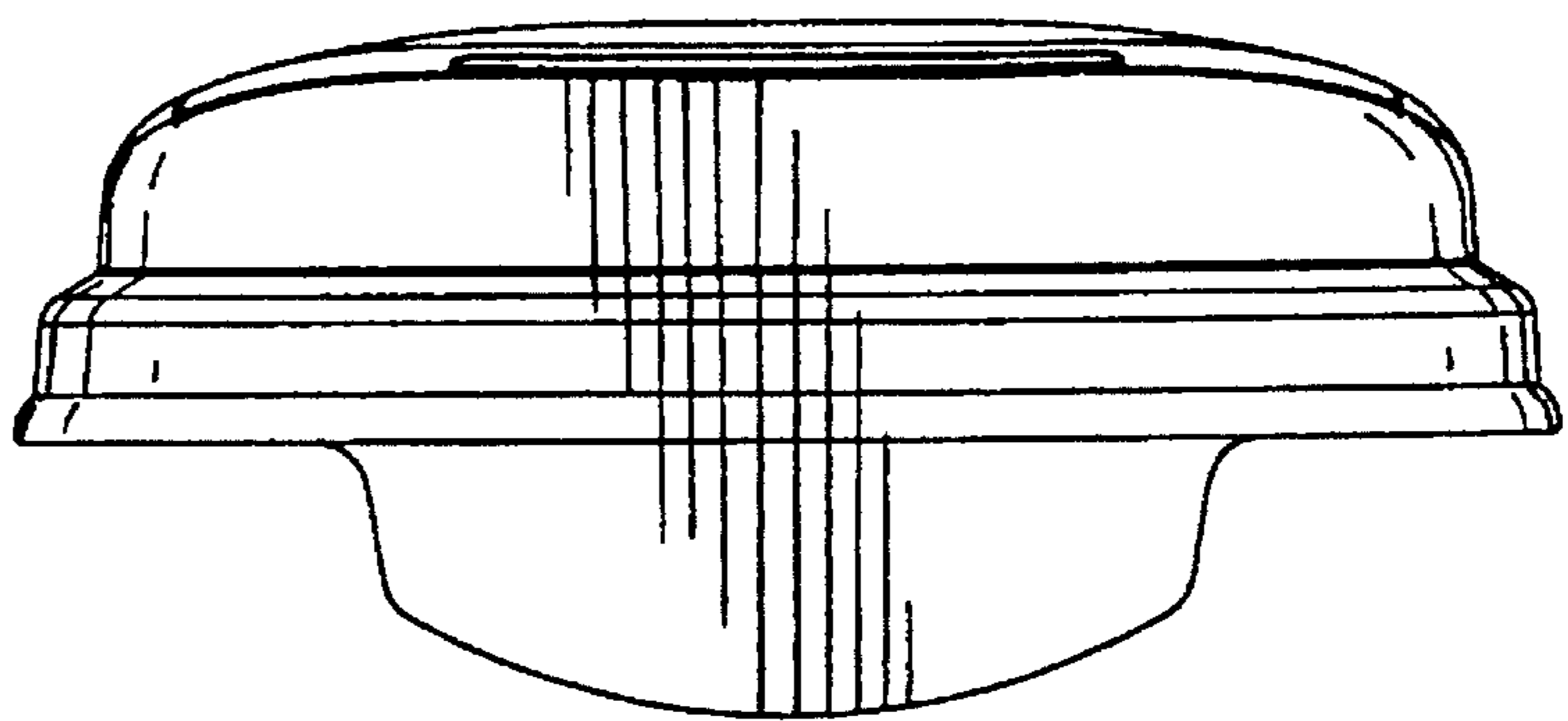


Fig-5