



US00D374588S

# United States Patent [19]

Federico

[11] Patent Number: **Des. 374,588**

[45] Date of Patent: **\*\*Oct. 15, 1996**

[54] **ELECTRIC FRYER**

[75] Inventor: **Dominique Federico**, Chevigny Saint Sauveur, France

[73] Assignee: **SEB**, Selongey Cedex, France

[\*\*] Term: **14 Years**

[21] Appl. No.: **40,872**

[22] Filed: **Jun. 29, 1995**

### [30] Foreign Application Priority Data

Jan. 13, 1995 [FR] France ..... 95 0236

[52] U.S. Cl. .... **D7/354**

[58] Field of Search ..... D7/323, 354, 358, D7/360; 99/331, 403, 410, 411, 413; 219/429, 432, 438, 440

### [56] References Cited

#### U.S. PATENT DOCUMENTS

D. 345,280 3/1994 Powell ..... D7/354

D. 345,281 3/1994 Mauffrey ..... D7/354  
D. 346,527 5/1994 Del Fresno ..... D7/354  
D. 347,353 5/1994 Piret et al. .... D7/354

*Primary Examiner*—Nelson C. Holtje  
*Assistant Examiner*—Caron Veynar  
*Attorney, Agent, or Firm*—Loeb & Loeb LLP

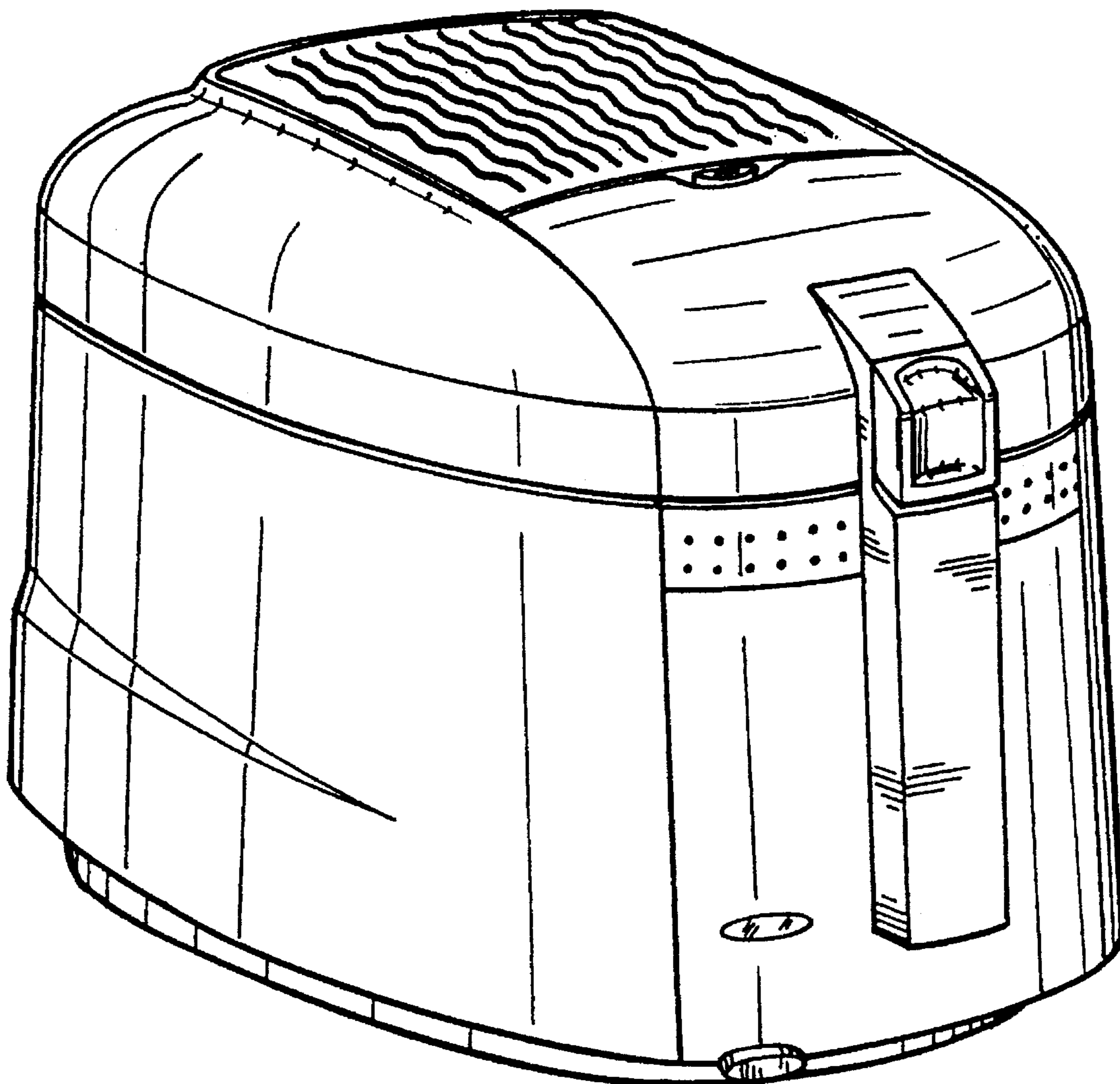
### [57] CLAIM

The ornamental design for an electric fryer, as shown.

### DESCRIPTION

FIG. 1 is a front elevational view of an electric fryer showing my new design;  
FIG. 2 is a rear elevational view thereof;  
FIG. 3 is a left side elevational view thereof;  
FIG. 4 is a right side elevational view thereof;  
FIG. 5 is a top plan view thereof;  
FIG. 6 is a perspective view thereof, viewed from above and to the left; and,  
FIG. 7 is a bottom plan view thereof.

**1 Claim, 4 Drawing Sheets**



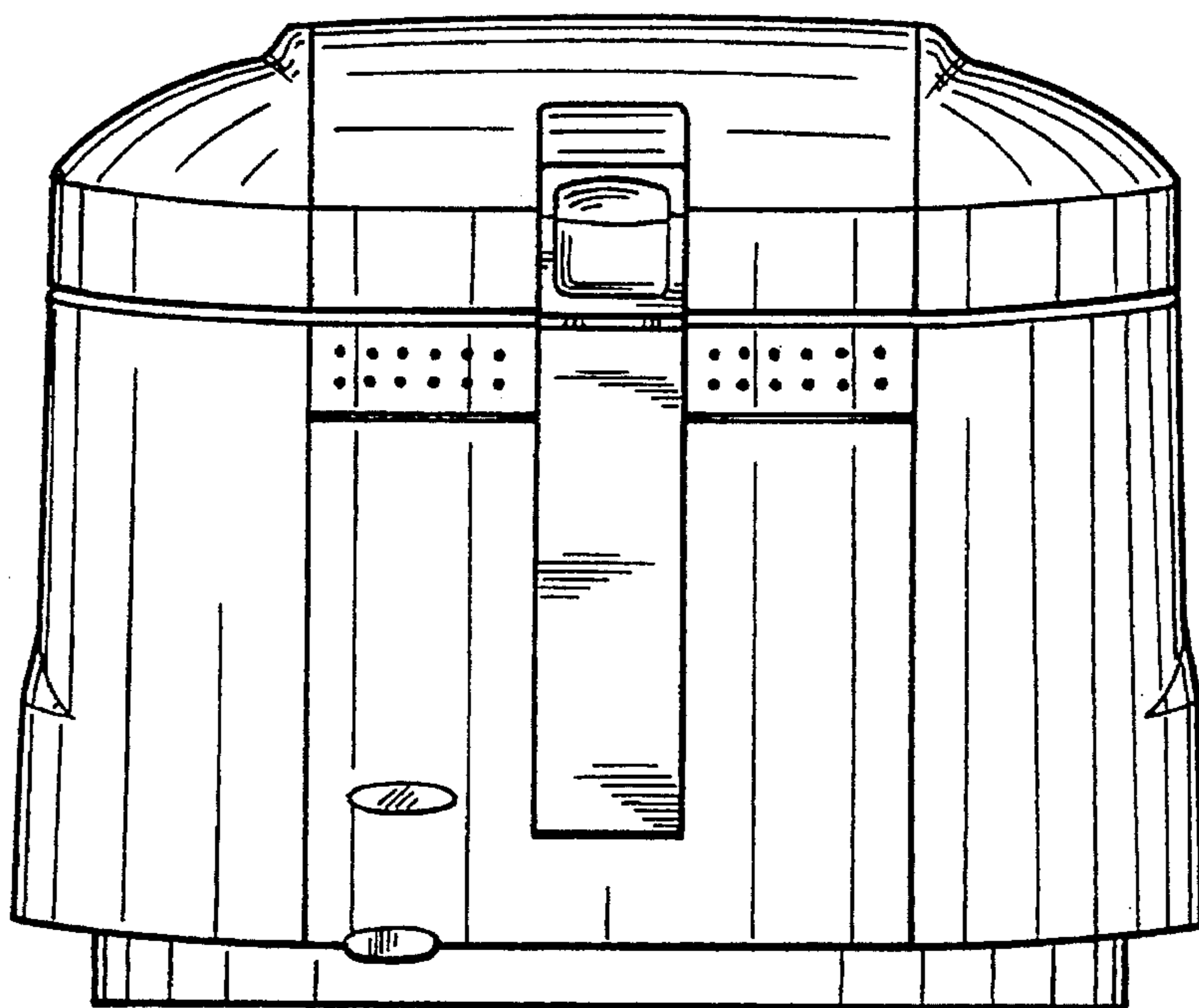


FIG. 1

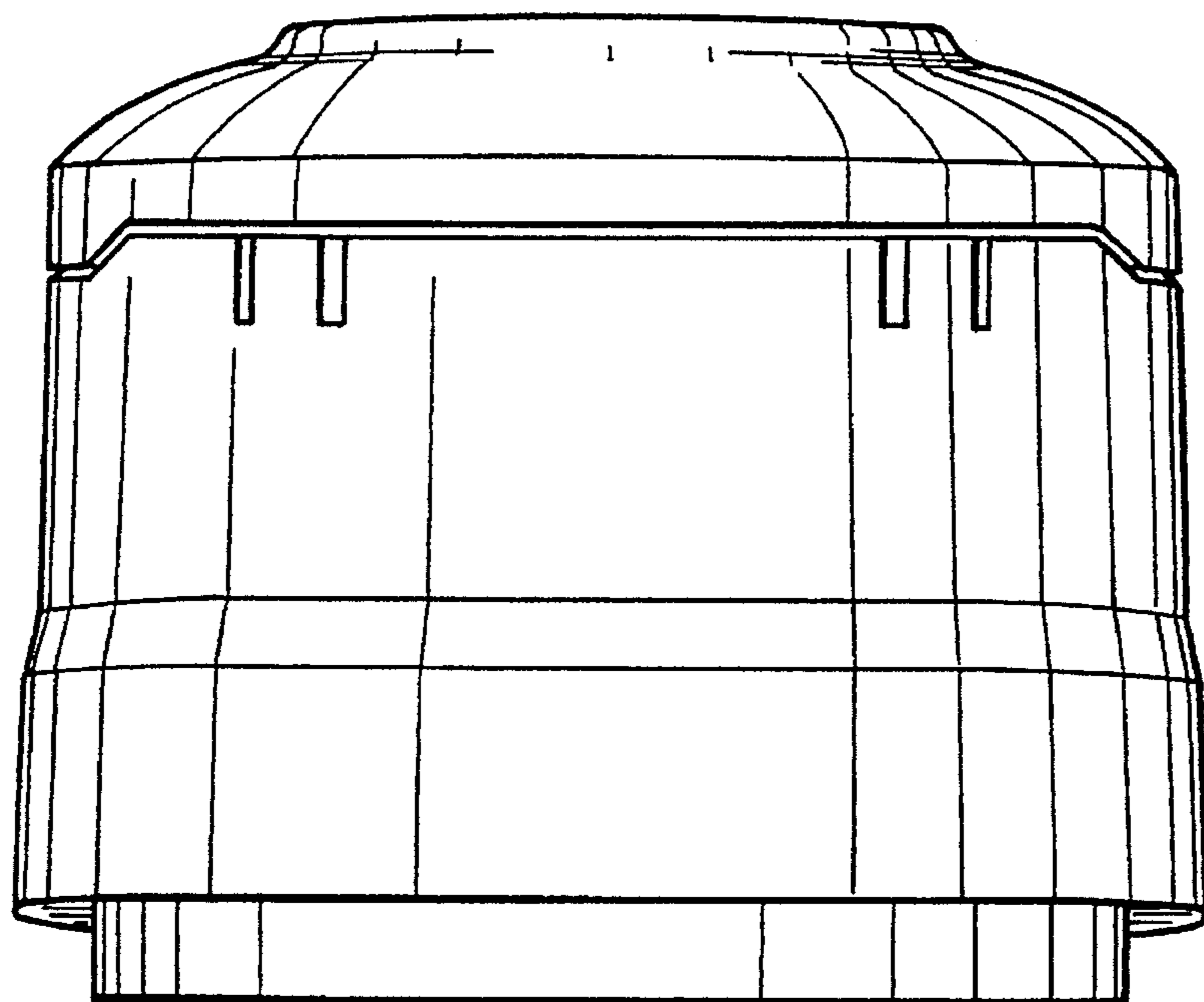


FIG. 2

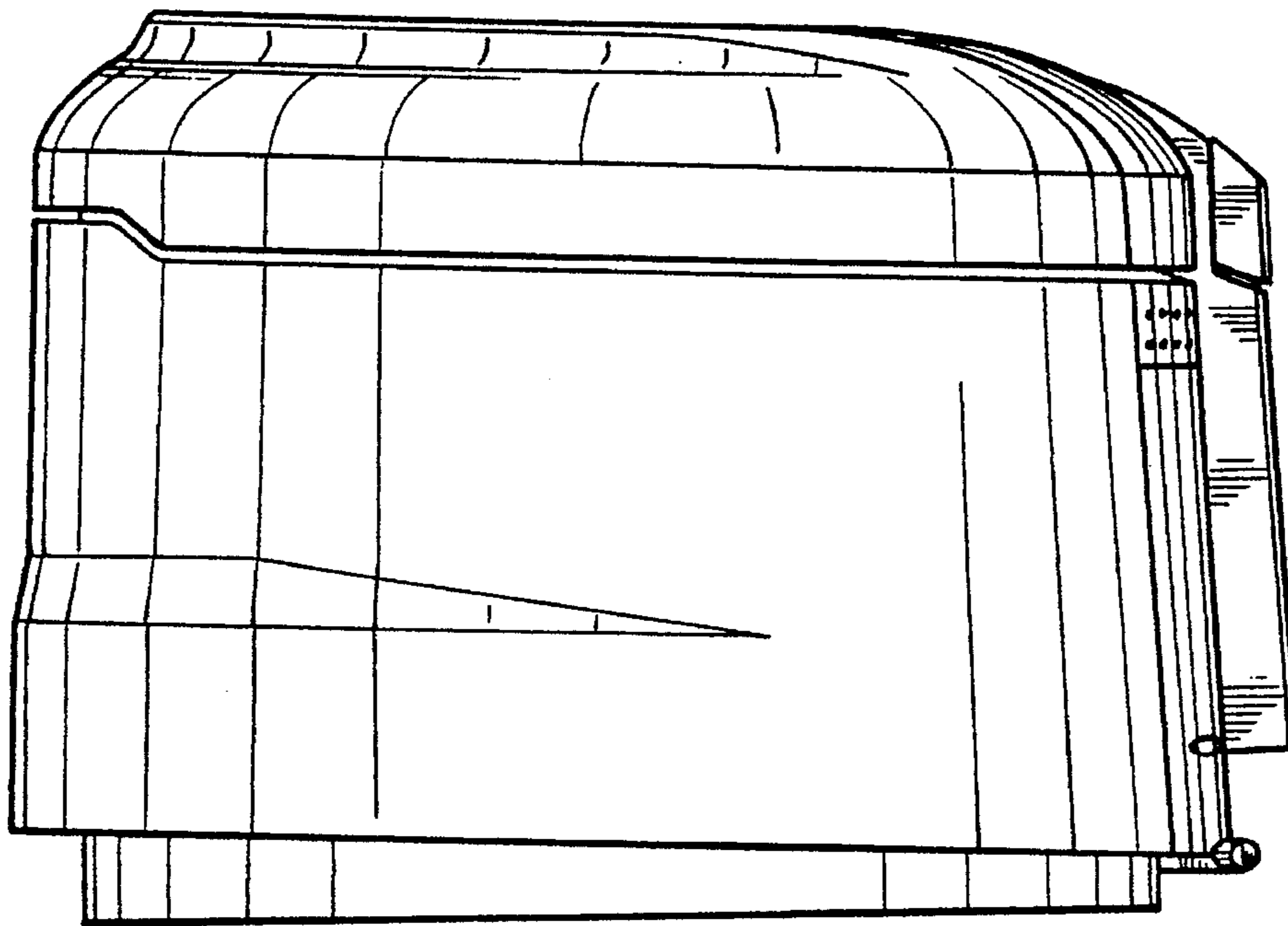


FIG. 3

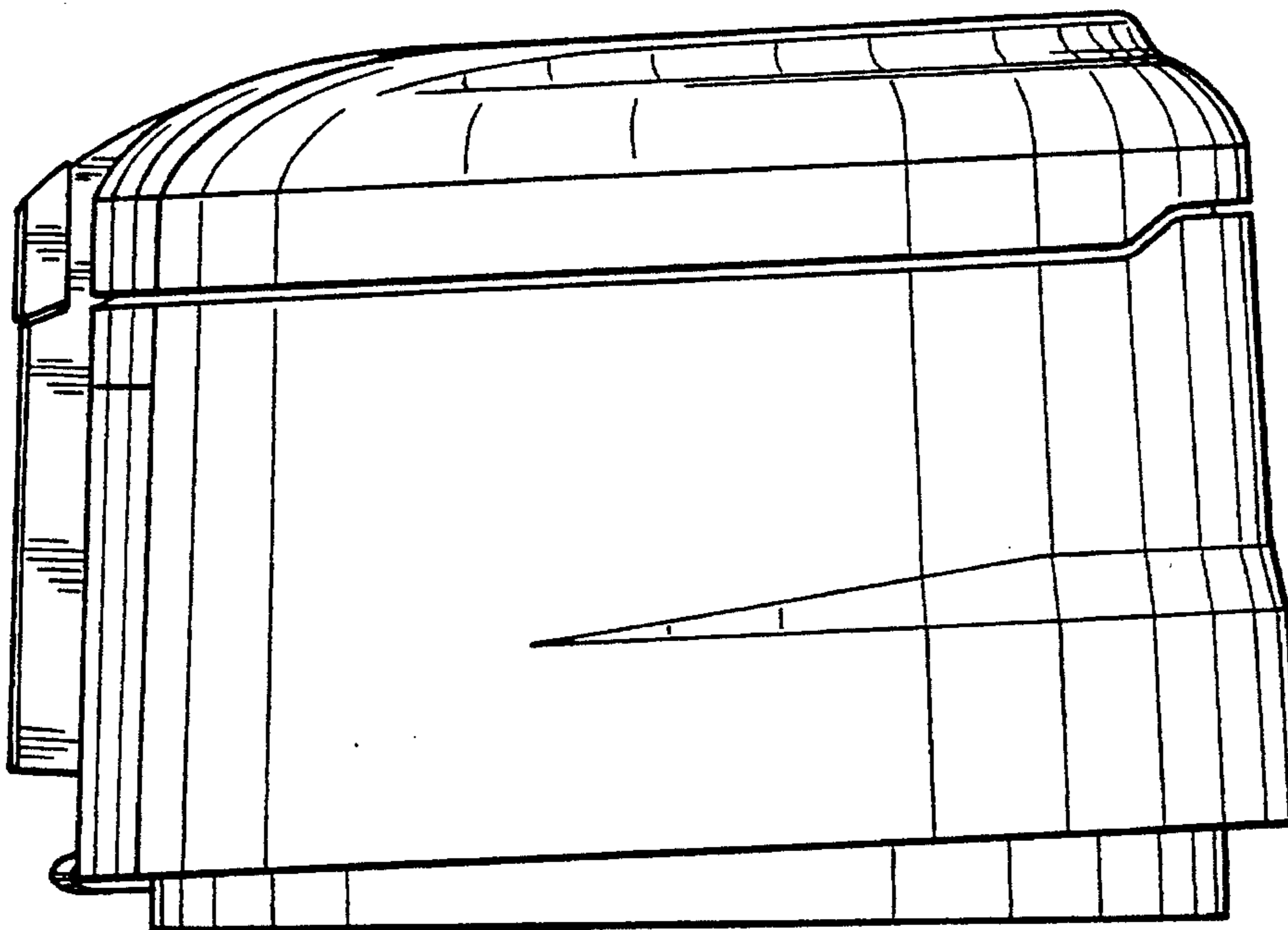


FIG. 4

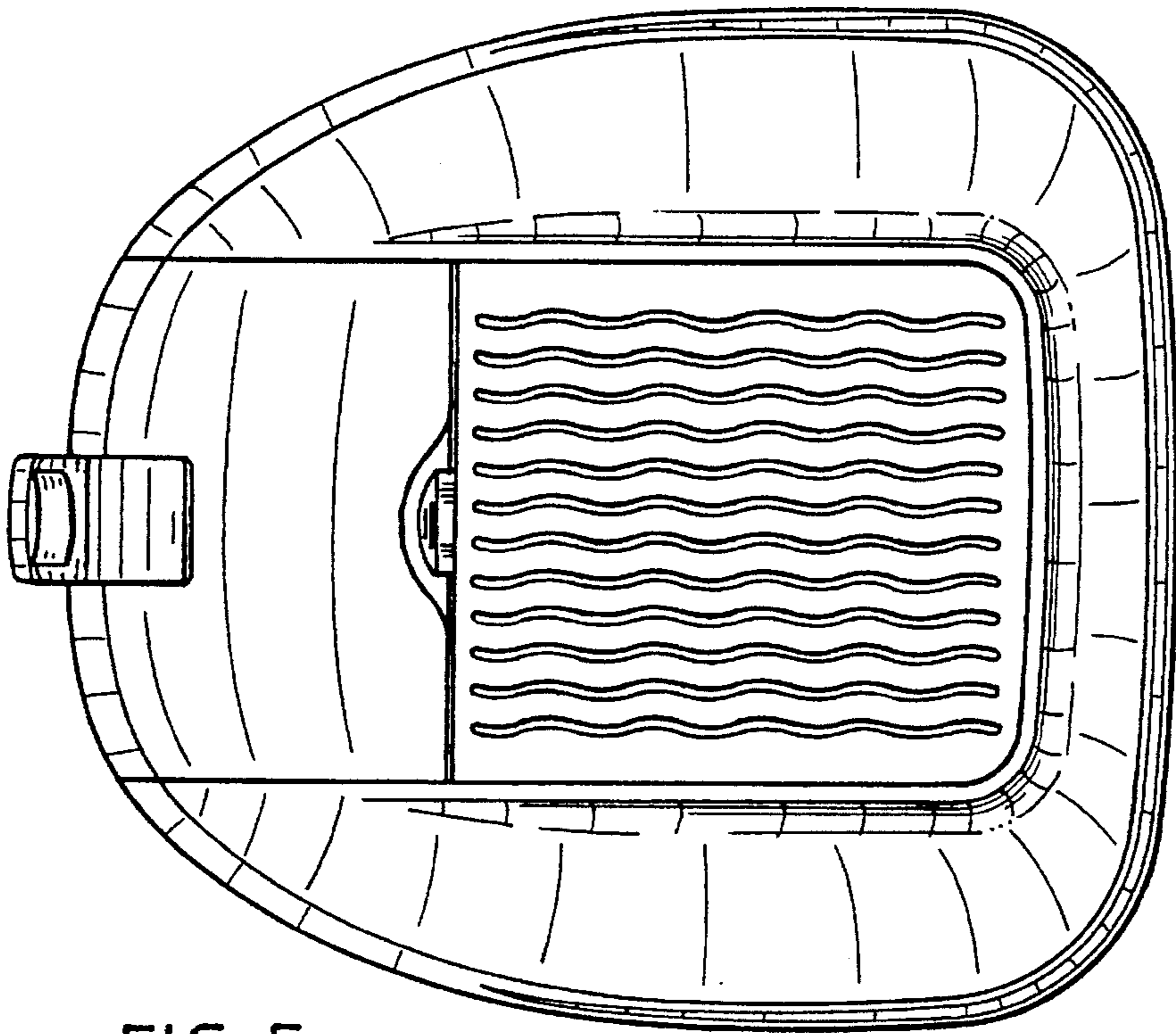


FIG. 5

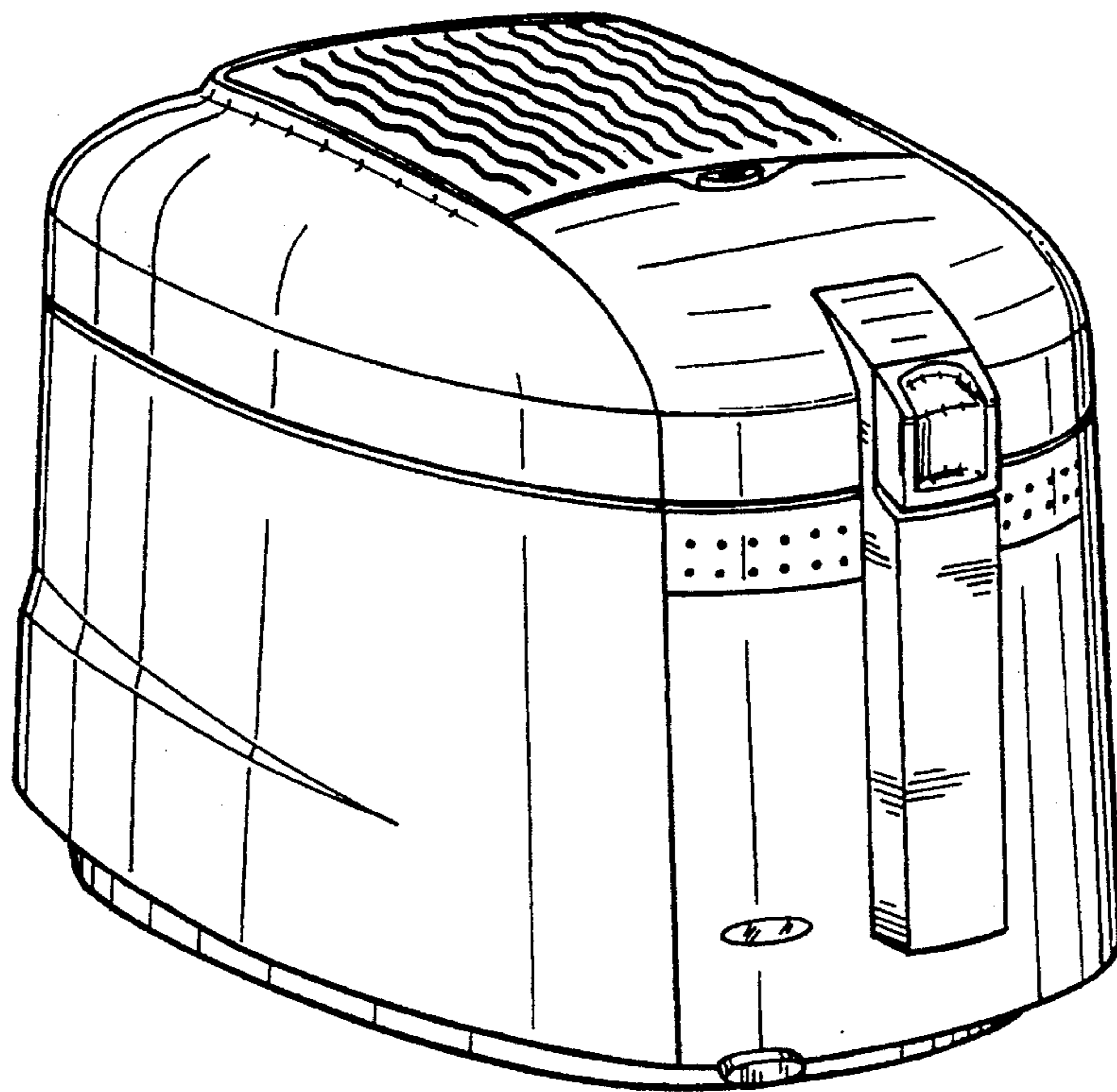


FIG. 6

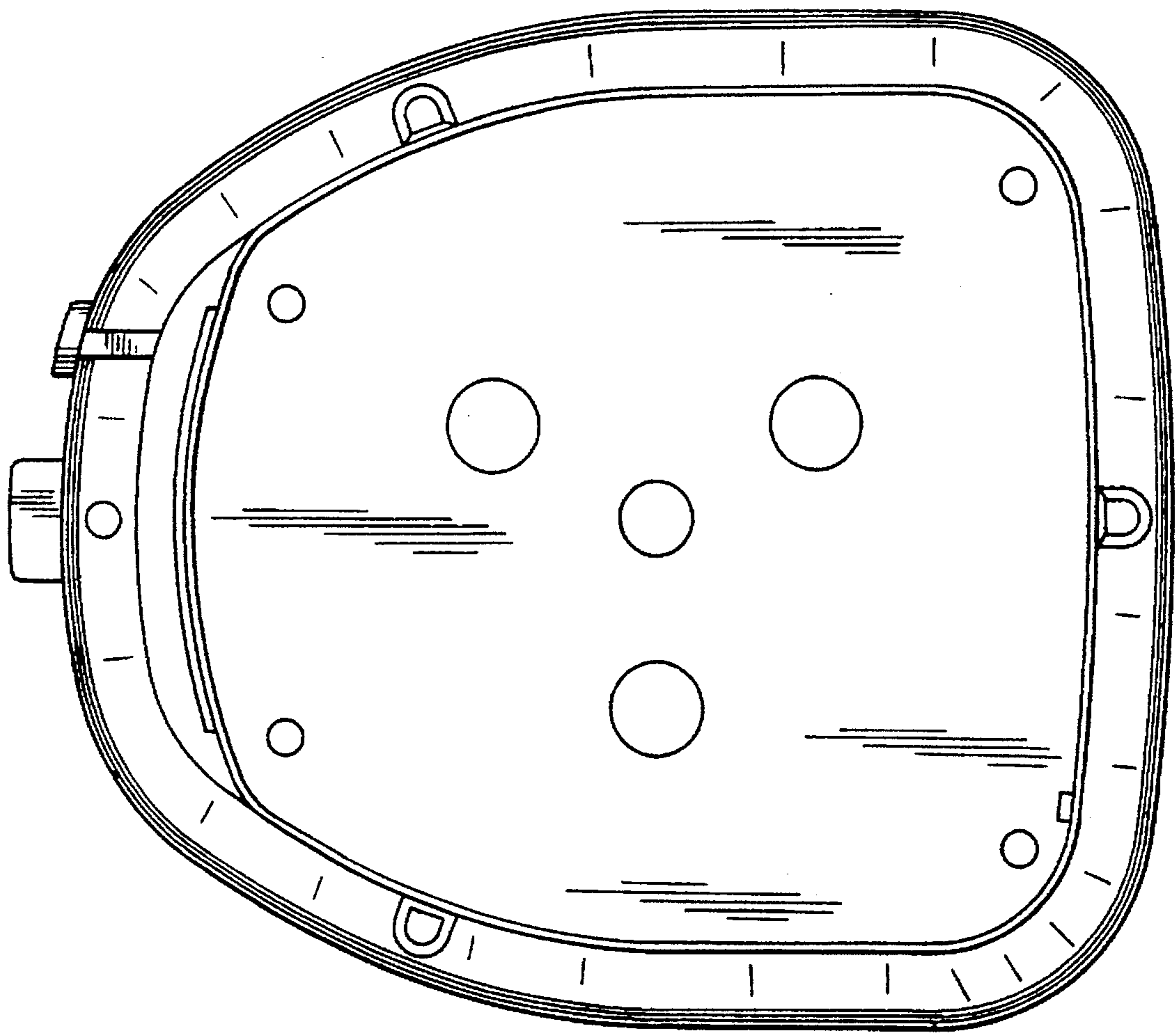


FIG. 7