



US00D374585S

# United States Patent [19] Moon

[11] **Patent Number: Des. 374,585**

[45] **Date of Patent: \*\*Oct. 15, 1996**

[54] **TOILET PAPER ROLL SUPPORT**

|            |        |               |       |           |
|------------|--------|---------------|-------|-----------|
| D. 314,108 | 1/1991 | Chap et al.   | ..... | D6/523    |
| D. 317,386 | 6/1991 | McKeone       | ..... | D6/523    |
| 4,427,159  | 1/1984 | Miller et al. | ..... | 242/570 X |

[75] Inventor: **In-Ho Moon**, Seoul, Rep. of Korea

[73] Assignee: **American Standard Inc.**, Piscataway, N.J.

*Primary Examiner*—Brian N. Vinson  
*Attorney, Agent, or Firm*—Elaine Brenner Robinson; Ann M. Knab

[\*\*] Term: **14 Years**

[21] Appl. No.: **44,044**

[57] **CLAIM**

[22] Filed: **Sep. 15, 1995**

The ornamental designs for toilet paper roll support, as shown and described.

**Related U.S. Application Data**

[62] Division of Ser. No. 018,876, Feb. 17, 1994, Pat. No. Des. 364,768.

**DESCRIPTION**

[30] **Foreign Application Priority Data**

|               |      |               |       |            |
|---------------|------|---------------|-------|------------|
| Feb. 18, 1993 | [KR] | Rep. of Korea | ..... | 1993-16703 |
| Aug. 18, 1993 | [KR] | Rep. of Korea | ..... | 1993-16705 |
| Aug. 18, 1993 | [KR] | Rep. of Korea | ..... | 1993-16712 |

FIG. 1 is a top, front, and right side perspective view of a toilet paper roll support showing my new design;

FIG. 2 is a front elevational view thereof;

FIG. 3 is a rear elevational view thereof;

FIG. 4 is a right side elevational view thereof;

FIG. 5 is a left side elevational view thereof;

FIG. 6 is a top plan view thereof; and,

FIG. 7 is a bottom plan view thereof.

[52] **U.S. Cl.** ..... **D6/523**

[58] **Field of Search** ..... D6/518, 522, 523;  
206/389, 413; 242/159, 570, 590, 600,  
601; 312/34.1, 34.8

[56] **References Cited**

**U.S. PATENT DOCUMENTS**

D. 300,703 4/1989 Miels ..... D6/523

**1 Claim, 4 Drawing Sheets**

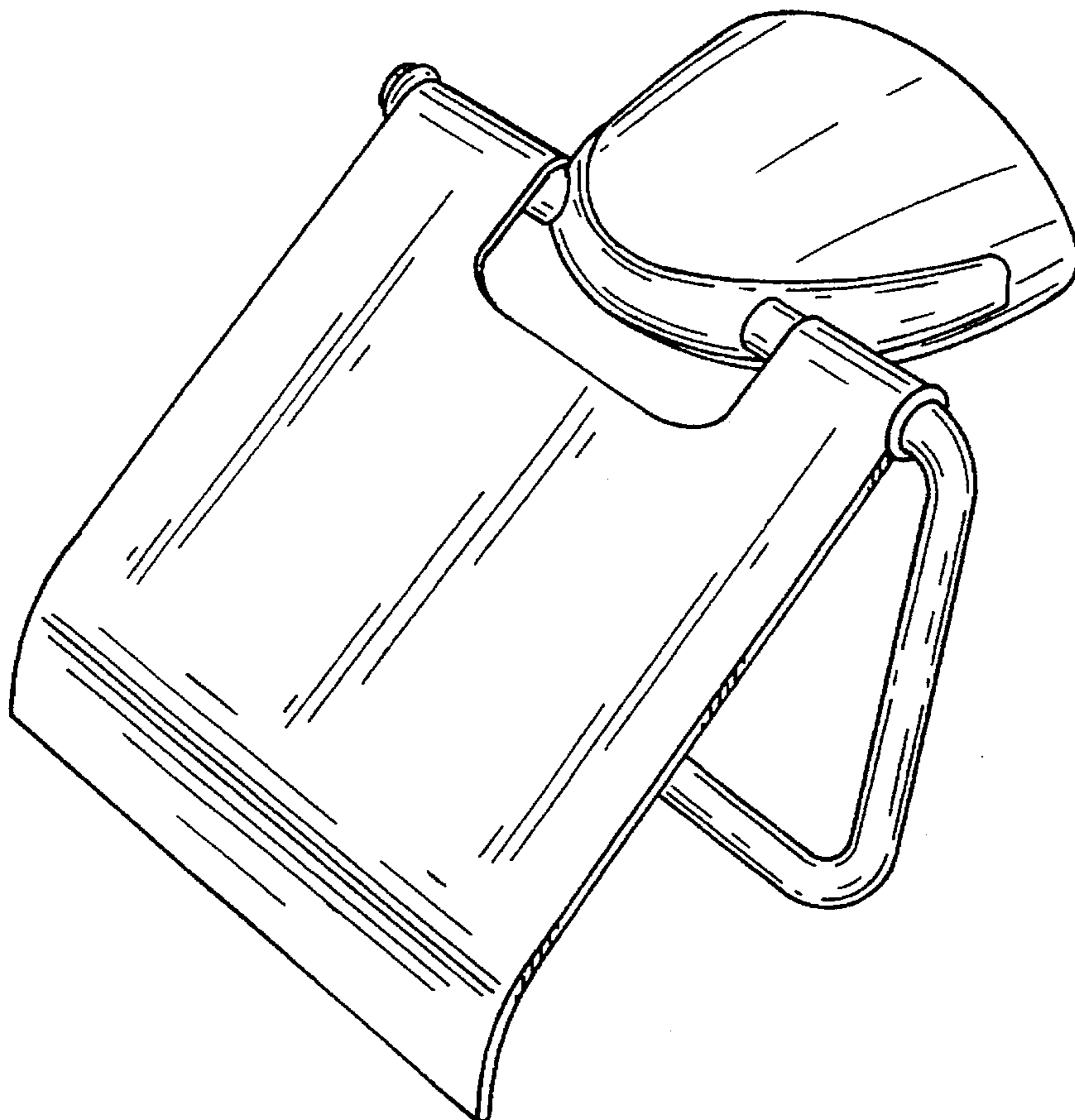


FIG. 1



FIG. 2

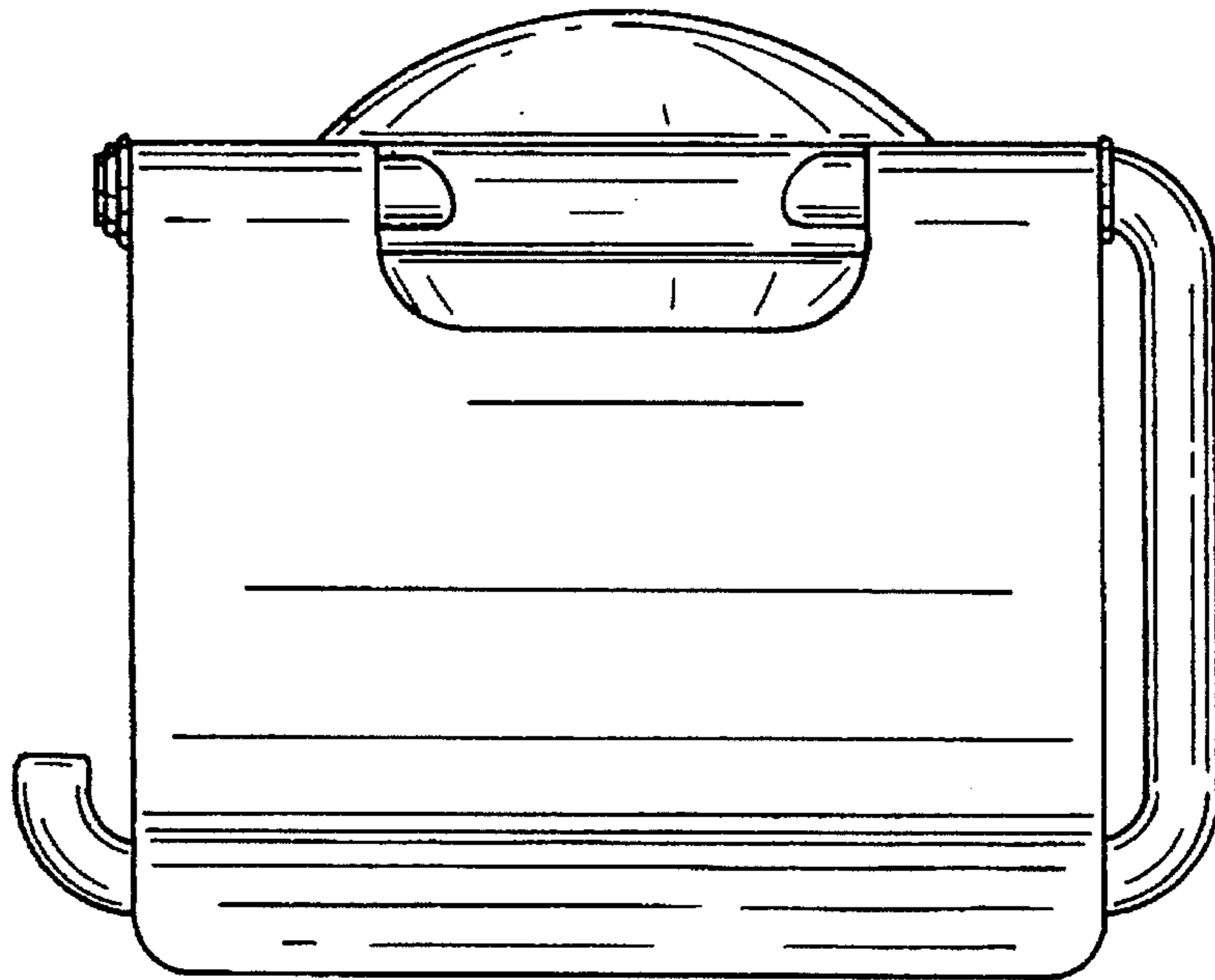


FIG. 3

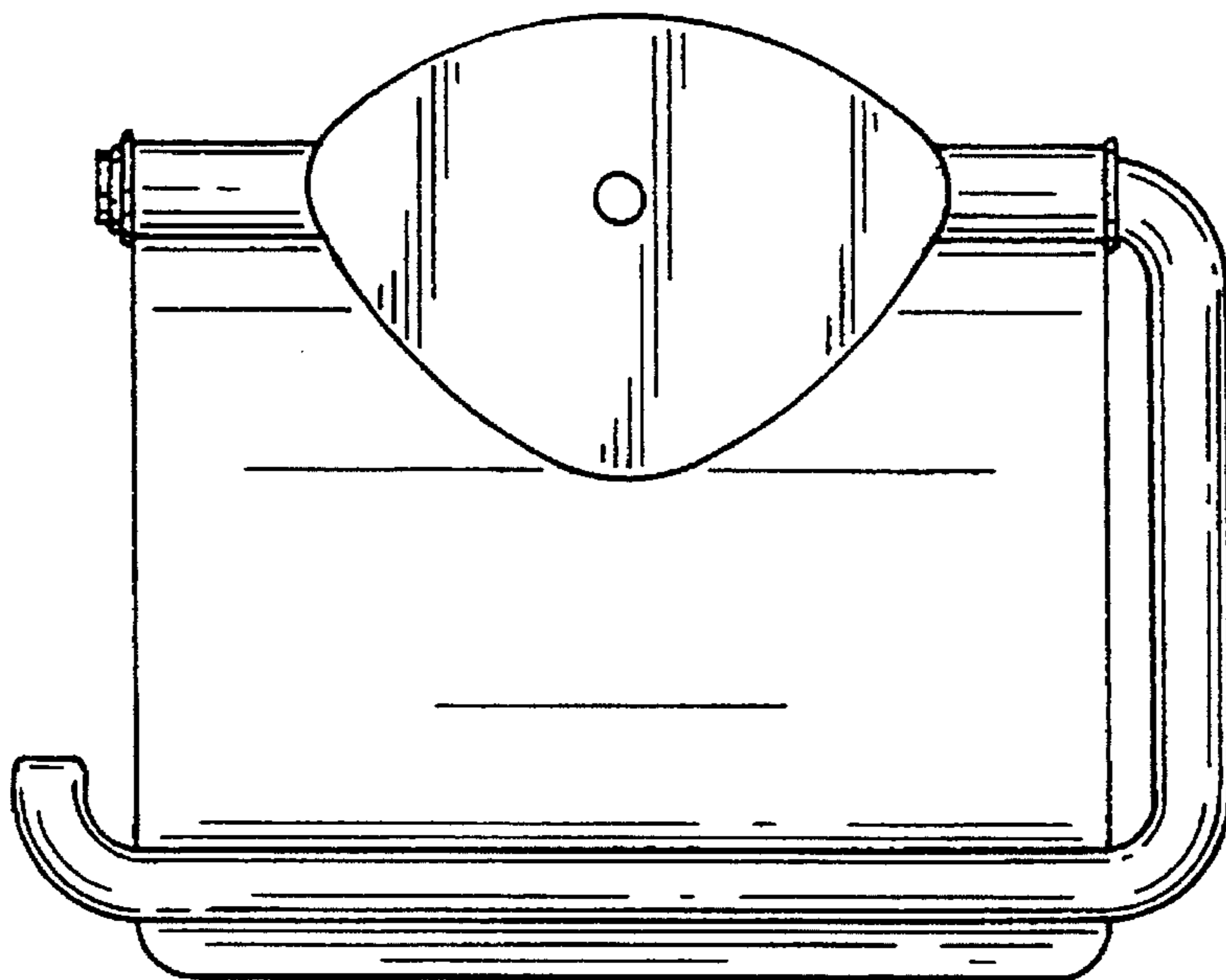


FIG. 4

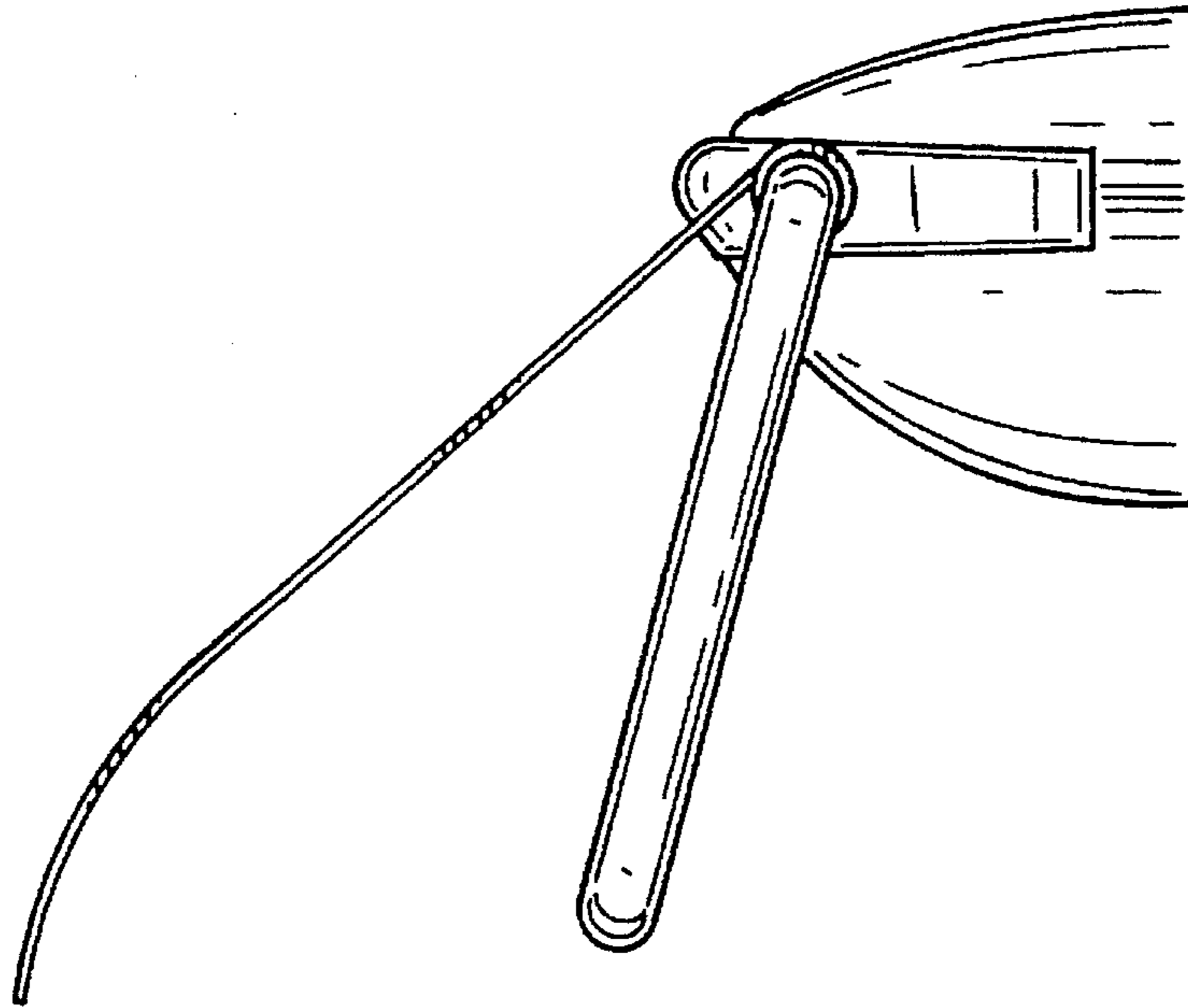


FIG. 5

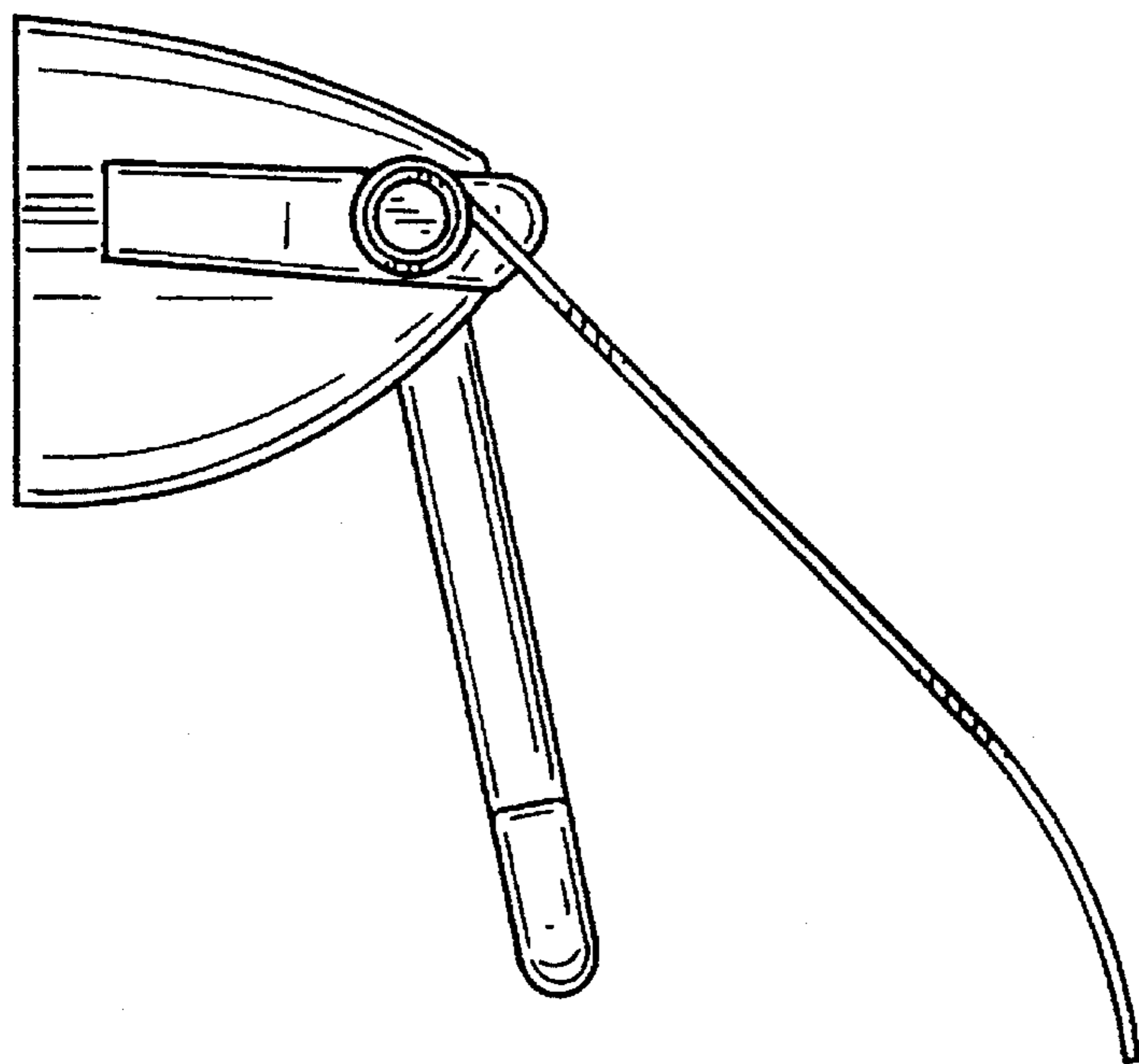


FIG. 6

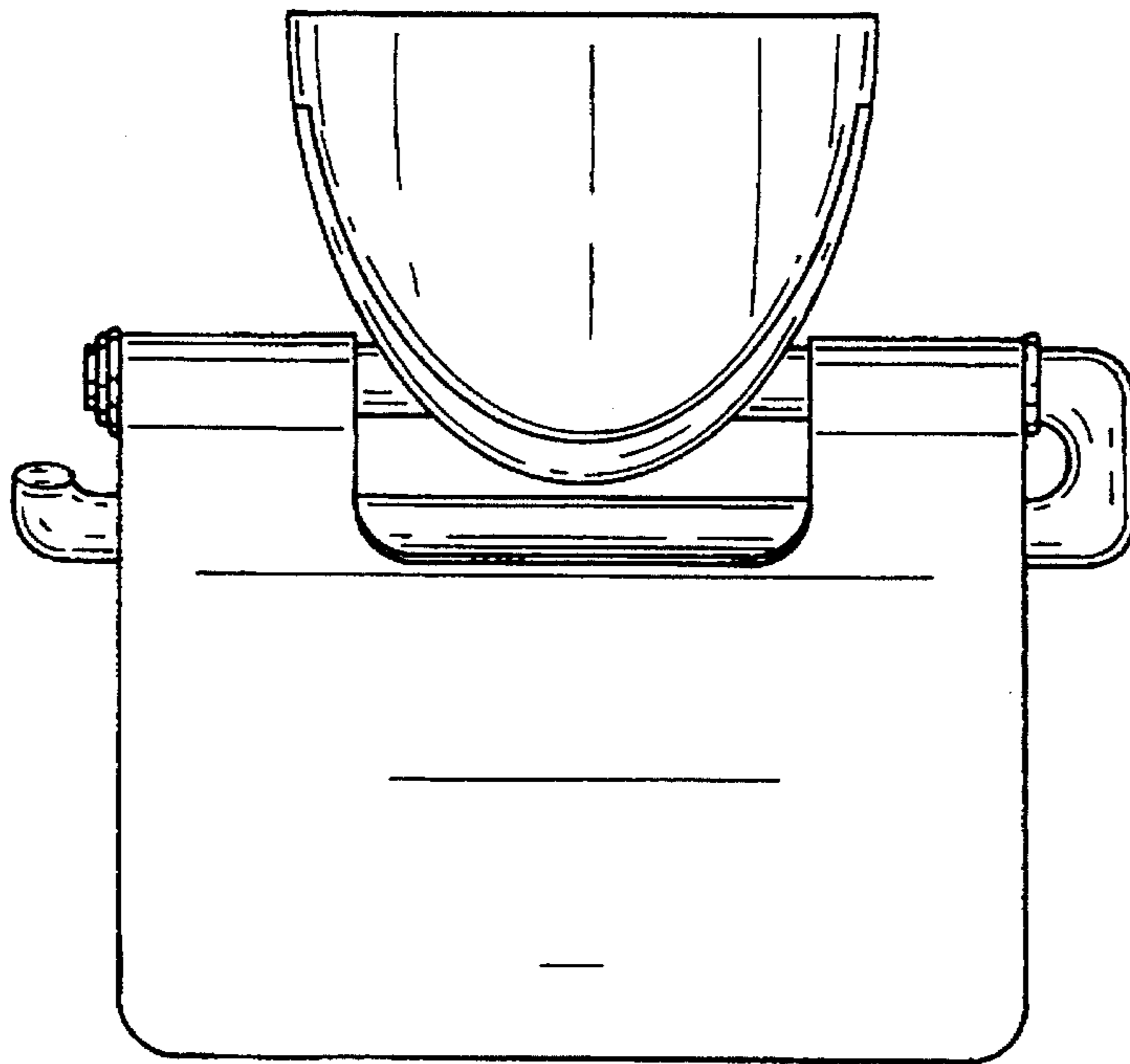


FIG. 7

