



US00D374584S

# United States Patent [19]

[11] Patent Number: **Des. 374,584**

Freeman

[45] Date of Patent: **\*\*Oct. 15, 1996**

## [54] BATHROOM STORAGE CABINET

[76] Inventor: **Tracey Freeman**, 2765 Andorra Cir.,  
Mississauga, ON L5N 2H8, Canada

[\*\*] Term: **14 Years**

[21] Appl. No.: **44,058**

[22] Filed: **Sep. 15, 1995**

[52] U.S. Cl. .... **D6/519**

[58] Field of Search ..... D6/518-523, 551;  
206/581, 349, 389, 391, 392, 394, 398,  
407, 821, 823, 216; 211/13, 60.1, 62, 70.6;  
220/735; 242/597.7

### [56] References Cited

#### U.S. PATENT DOCUMENTS

D. 158,504	5/1950	Ragusa	.....	D6/551
D. 237,232	10/1975	Garrett, Jr.	.....	D6/520
D. 330,984	11/1992	Evans	.....	D6/520
4,177,958	12/1979	Poole	.....	242/597.7
4,432,451	2/1984	Hooser	.....	206/216

*Primary Examiner*—Brian N. Vinson

*Attorney, Agent, or Firm*—Harold H. Dutton, Jr.; W. Charles L. Jamison; Diane F. Liebman

### [57] CLAIM

The ornamental design for a bathroom storage cabinet, as shown and described.

### DESCRIPTION

FIG. 1 is a perspective view of a bathroom storage cabinet showing my new design;

FIG. 2 is a front view thereof;

FIG. 3 is a rear view thereof;

FIG. 4 is a front view of the door portion thereof;

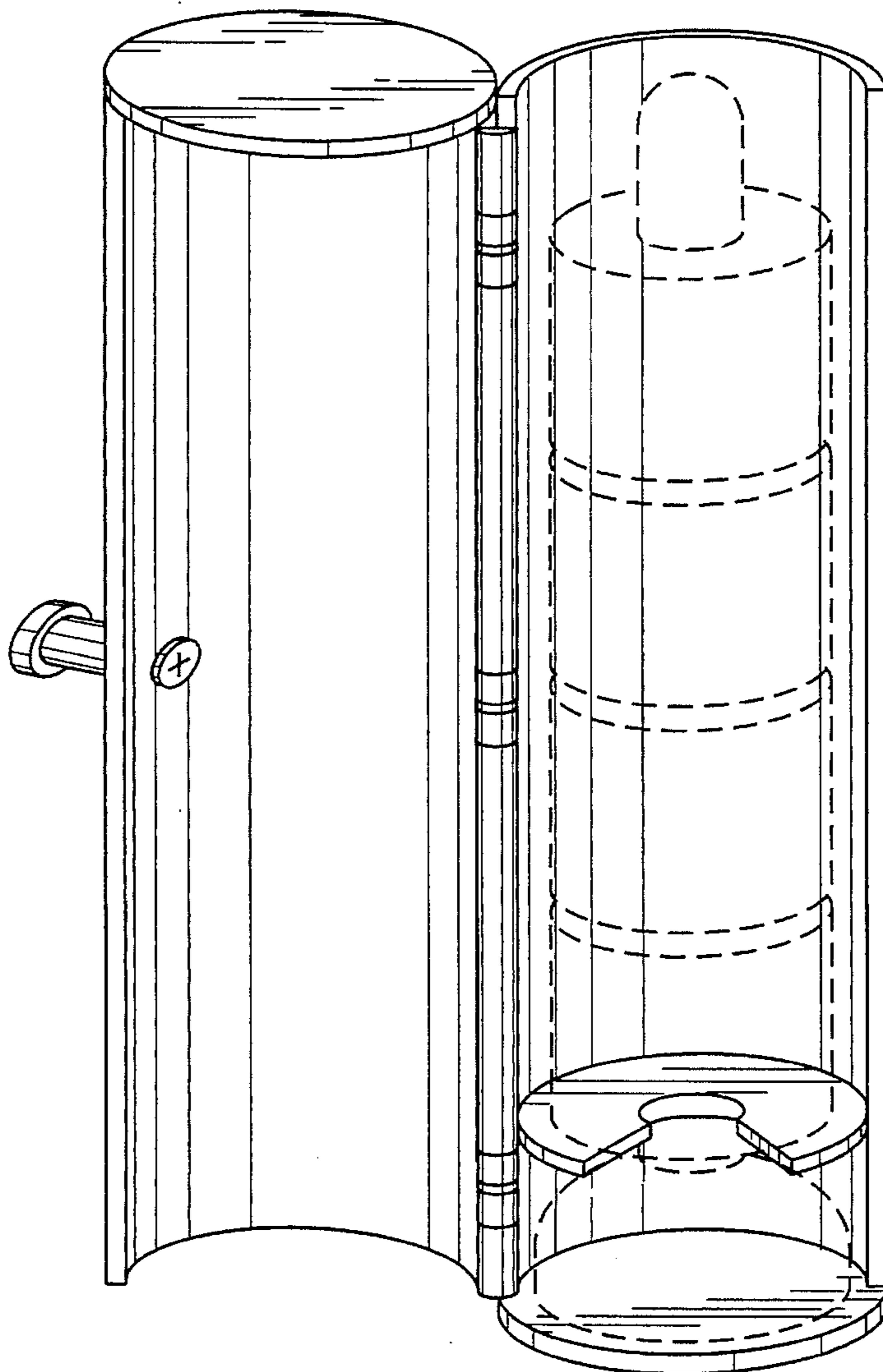
FIG. 5 is a rear view thereof;

FIG. 6 is a top view of a bathroom storage device; and,

FIG. 7 is a bottom view thereof.

The toilet paper and plunger shown in FIG. 1 are for illustrative purposes only and form no part of the claimed design.

**1 Claim, 4 Drawing Sheets**



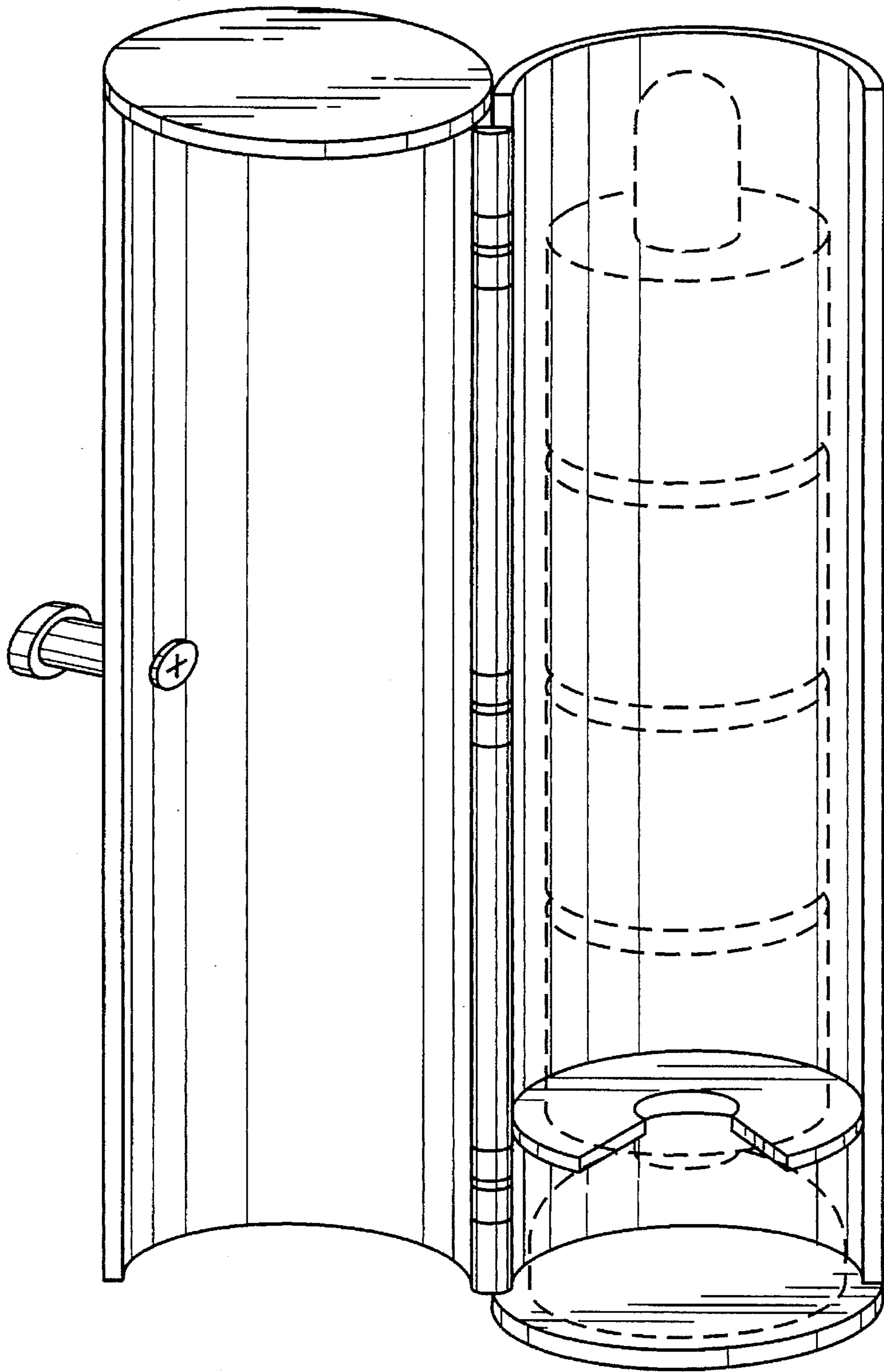


FIG. 1

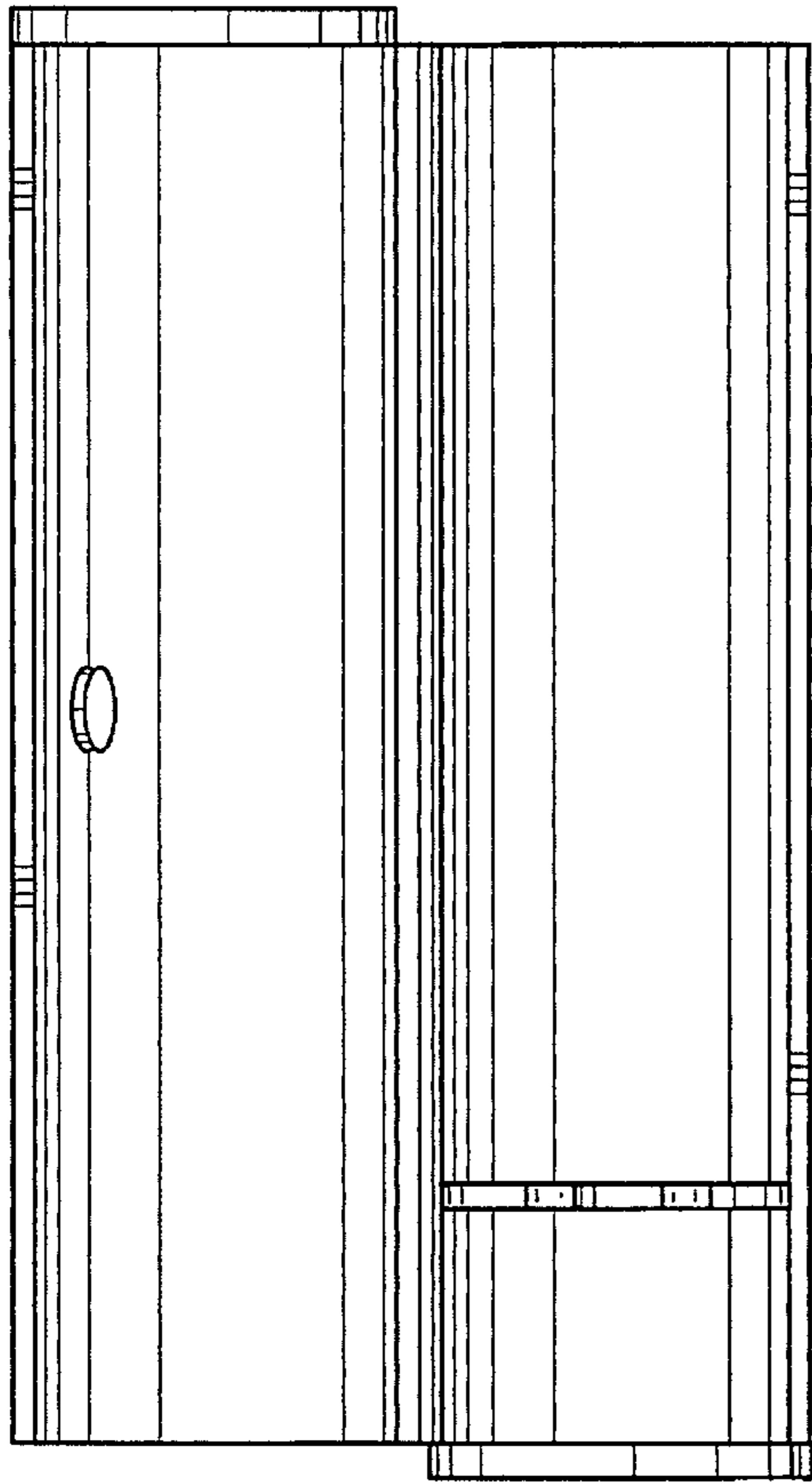
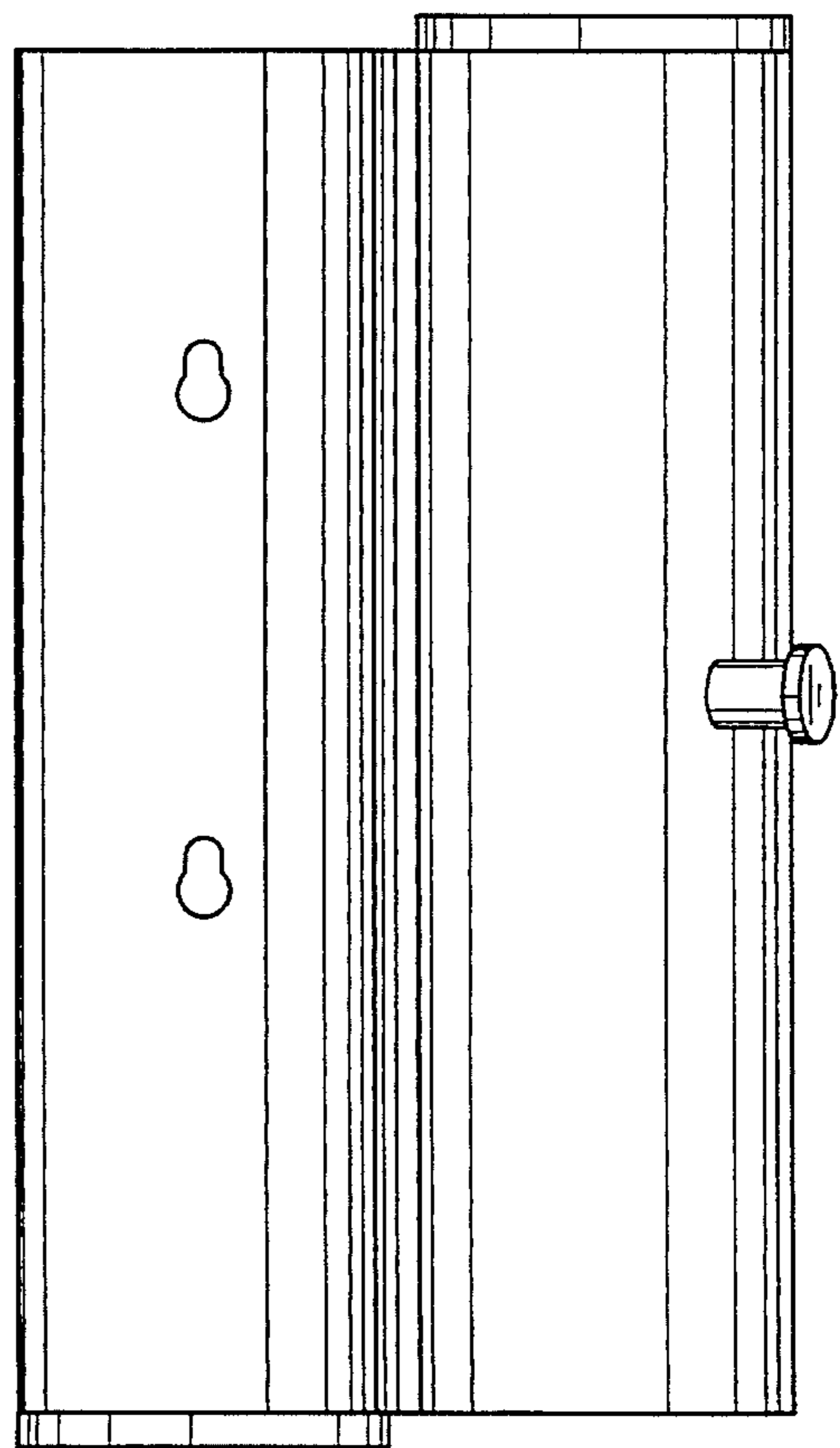


FIG. 2

FIG. 3



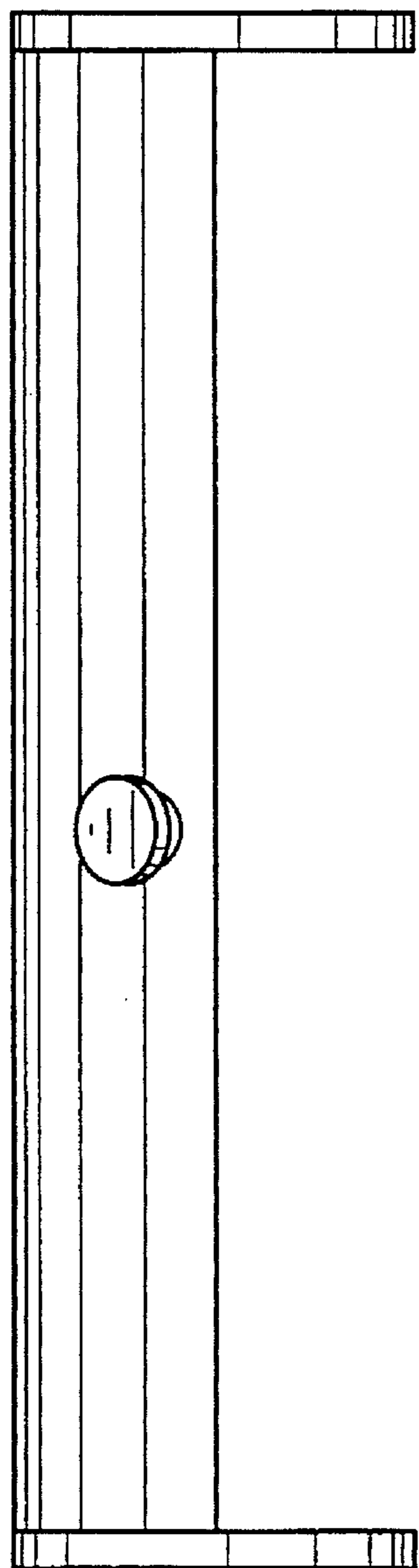
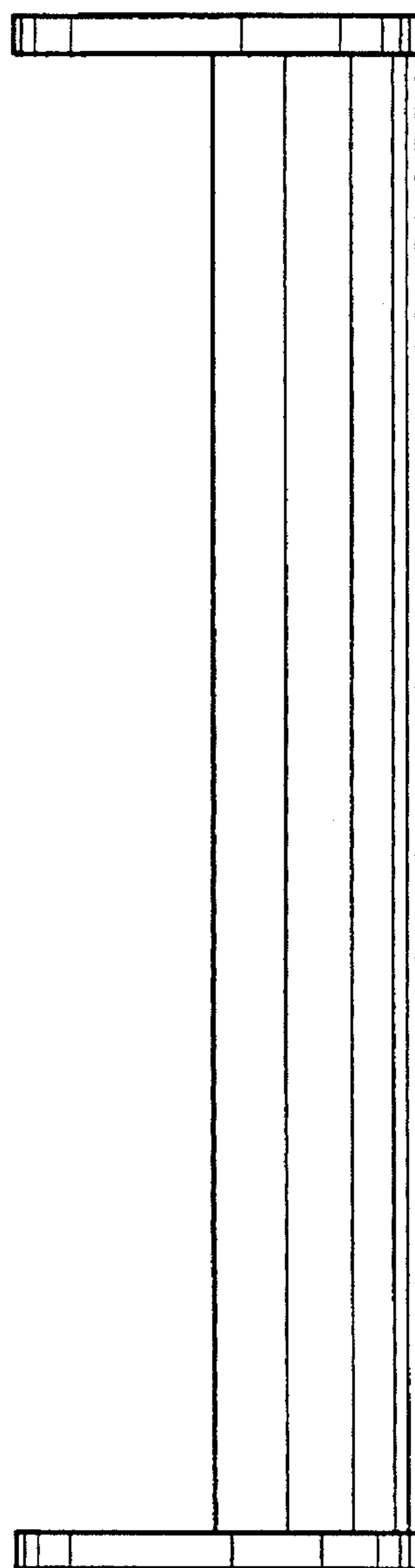


FIG. 4

FIG. 5



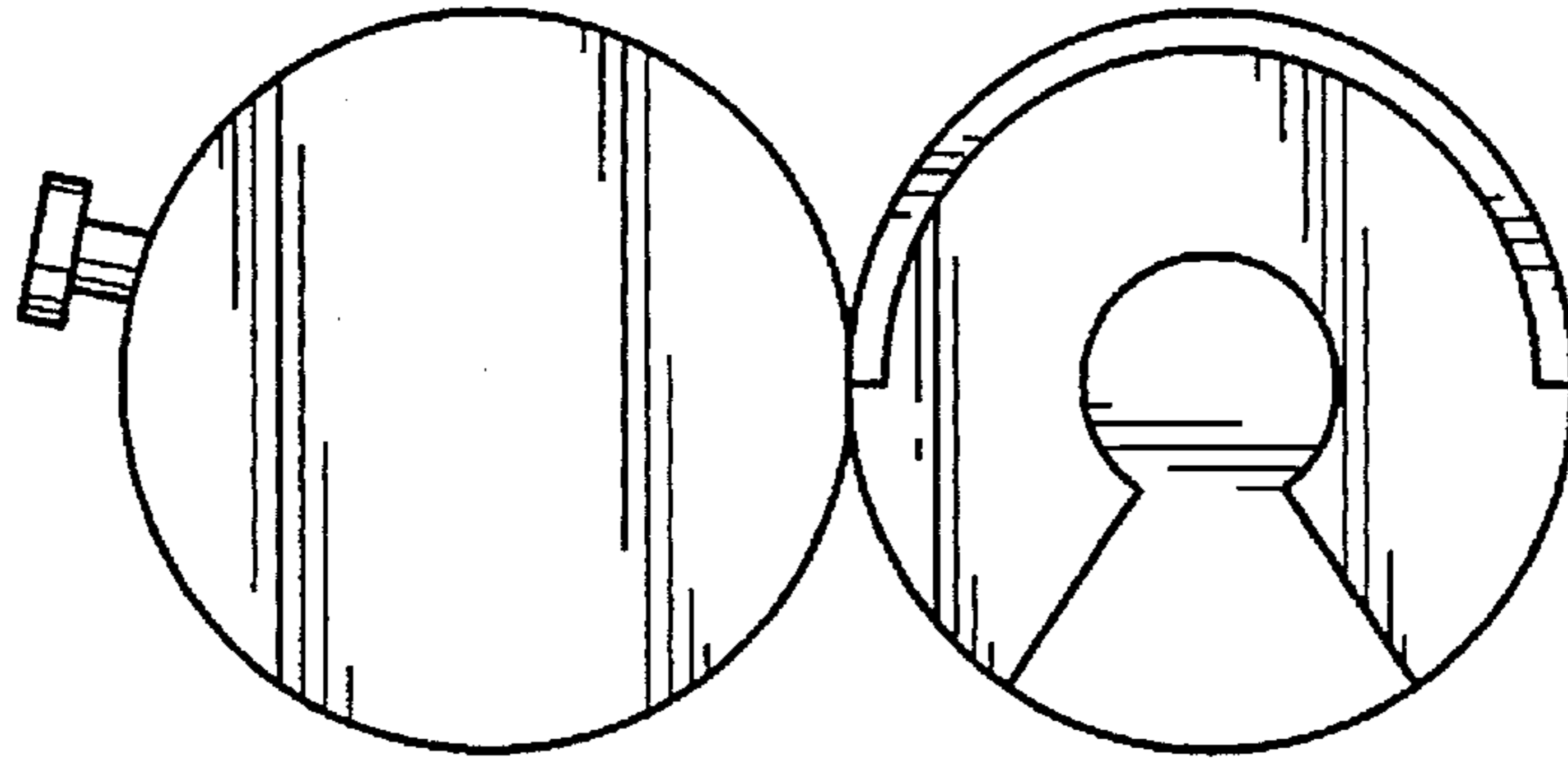


FIG. 6

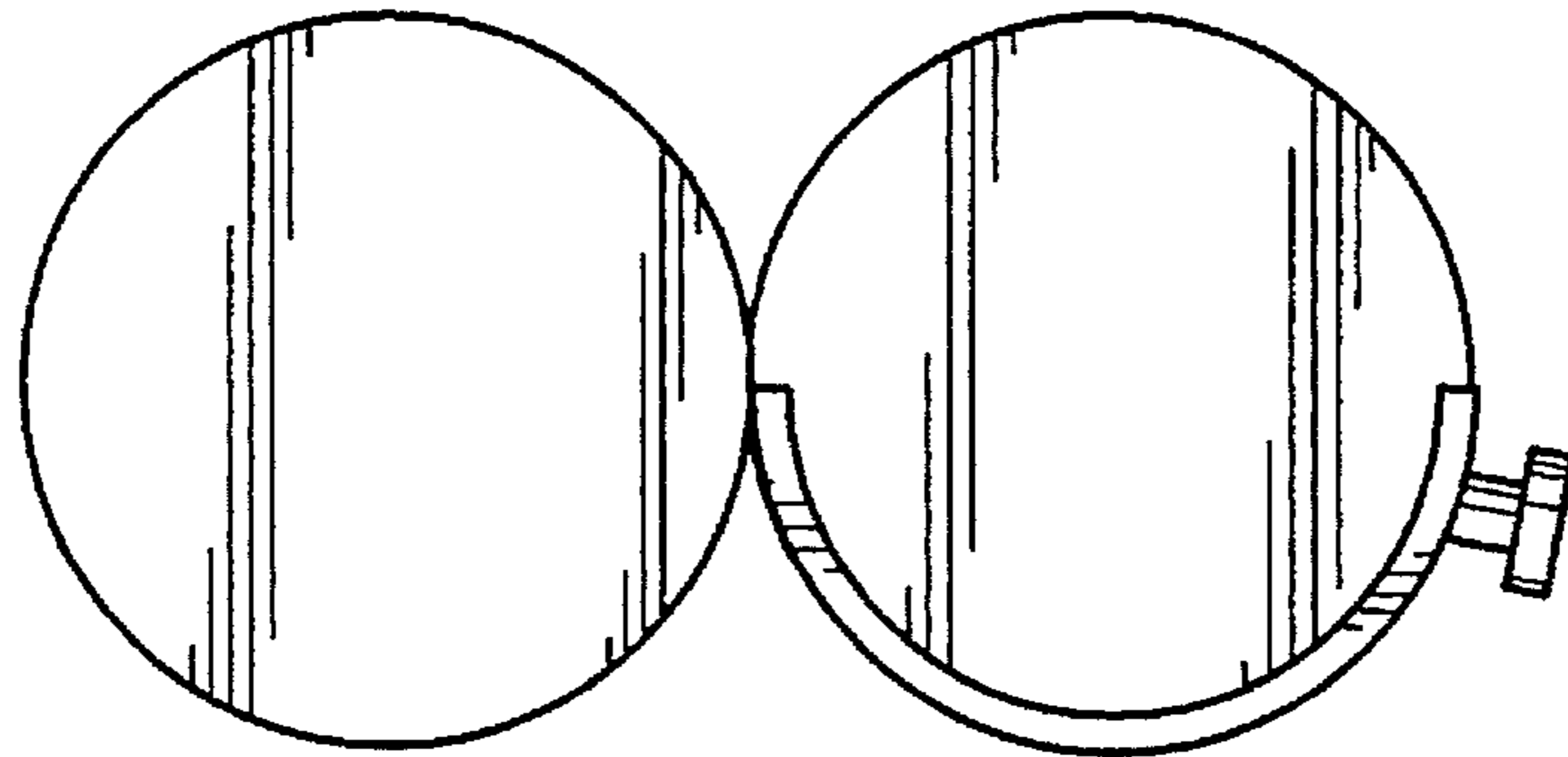


FIG. 7