



US00D374583S

# United States Patent [19] Bailey

[11] Patent Number: **Des. 374,583**

[45] Date of Patent: **\*\*Oct. 15, 1996**

[54] **FABRIC SOFTENER DISPENSER**

4,771,966 9/1988 Anderson ..... 242/596 X

[76] Inventor: **Carmae Bailey**, 2249 E. 8100 S.,  
Ogden, Utah 84405

*Primary Examiner*—Brian N. Vinson  
*Attorney, Agent, or Firm*—Harold H. Dutton, Jr.; Diane F. Liebman; W. Charles L. Jamison

[\*\*] Term: **14 Years**

[57] **CLAIM**

[21] Appl. No.: **37,768**

The ornamental design for a fabric softener dispenser, as shown and described.

[22] Filed: **Apr. 20, 1995**

[52] U.S. Cl. .... **D6/518**

[58] Field of Search ..... D6/518, 520, 522,  
D6/523; 242/570, 590, 596, 596.3, 596.4,  
596.7, 596.8, 598, 598.3, 599.1

**DESCRIPTION**

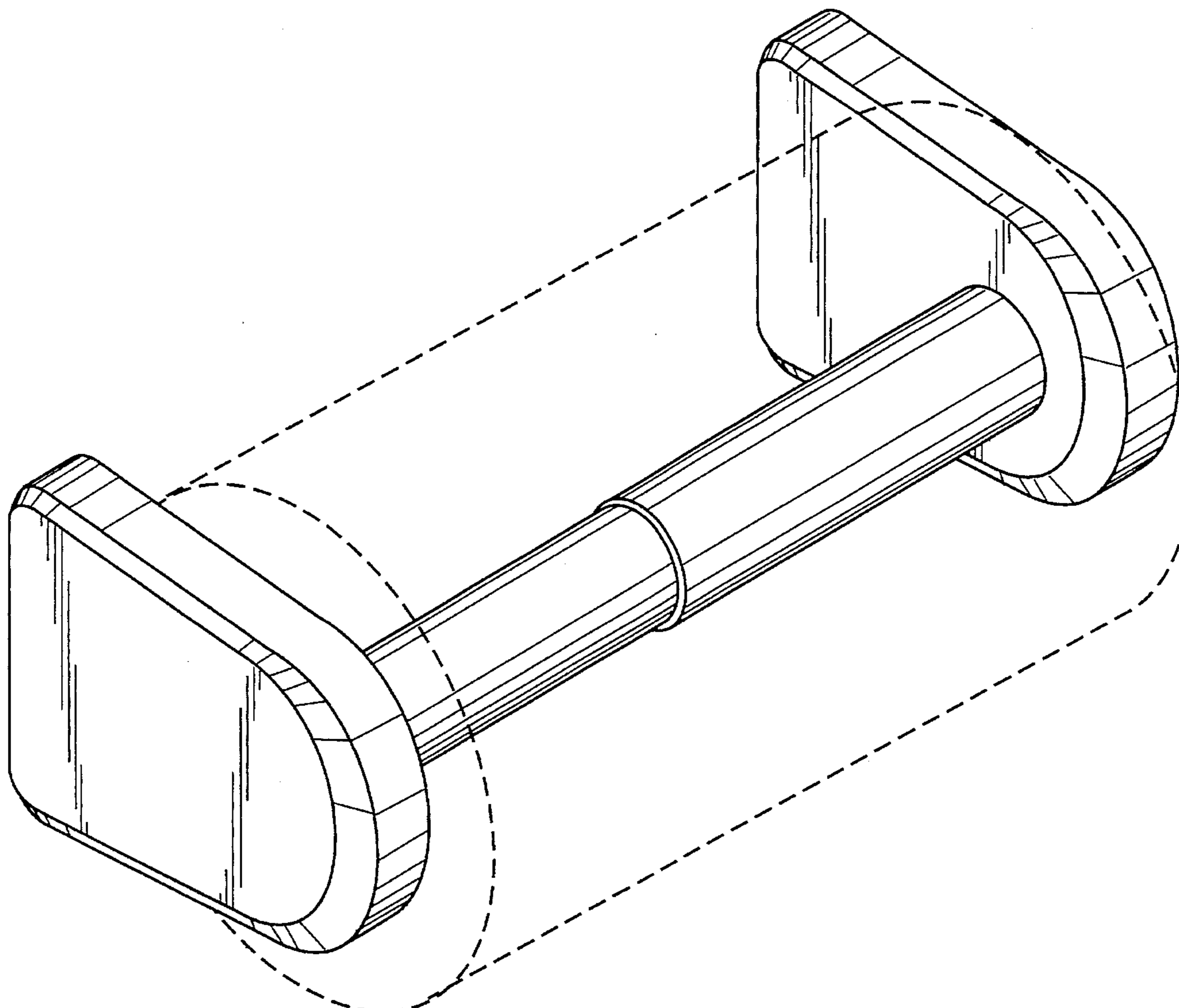
FIG. 1 is a top, front, and left side perspective view of a fabric softener dispenser showing my new design, the broken-line disclosure of a roll being for illustrative purposes only and forming no part of the claimed design;  
FIG. 2 is a front view thereof;  
FIG. 3 is a rear view thereof;  
FIG. 4 is a bottom view thereof; and,  
FIG. 5 is a top view thereof.

[56] **References Cited**

**U.S. PATENT DOCUMENTS**

|            |         |              |       |           |
|------------|---------|--------------|-------|-----------|
| D. 182,161 | 2/1958  | Bulman       | ..... | D6/522    |
| D. 326,580 | 6/1992  | Brazis       | ..... | D6/522    |
| D. 327,192 | 6/1992  | Geuvjehizian | ..... | D6/518    |
| D. 327,193 | 6/1992  | Crook et al. | ..... | D6/523    |
| 3,116,030  | 12/1963 | Leotta       | ..... | 242/596.2 |

**1 Claim, 3 Drawing Sheets**



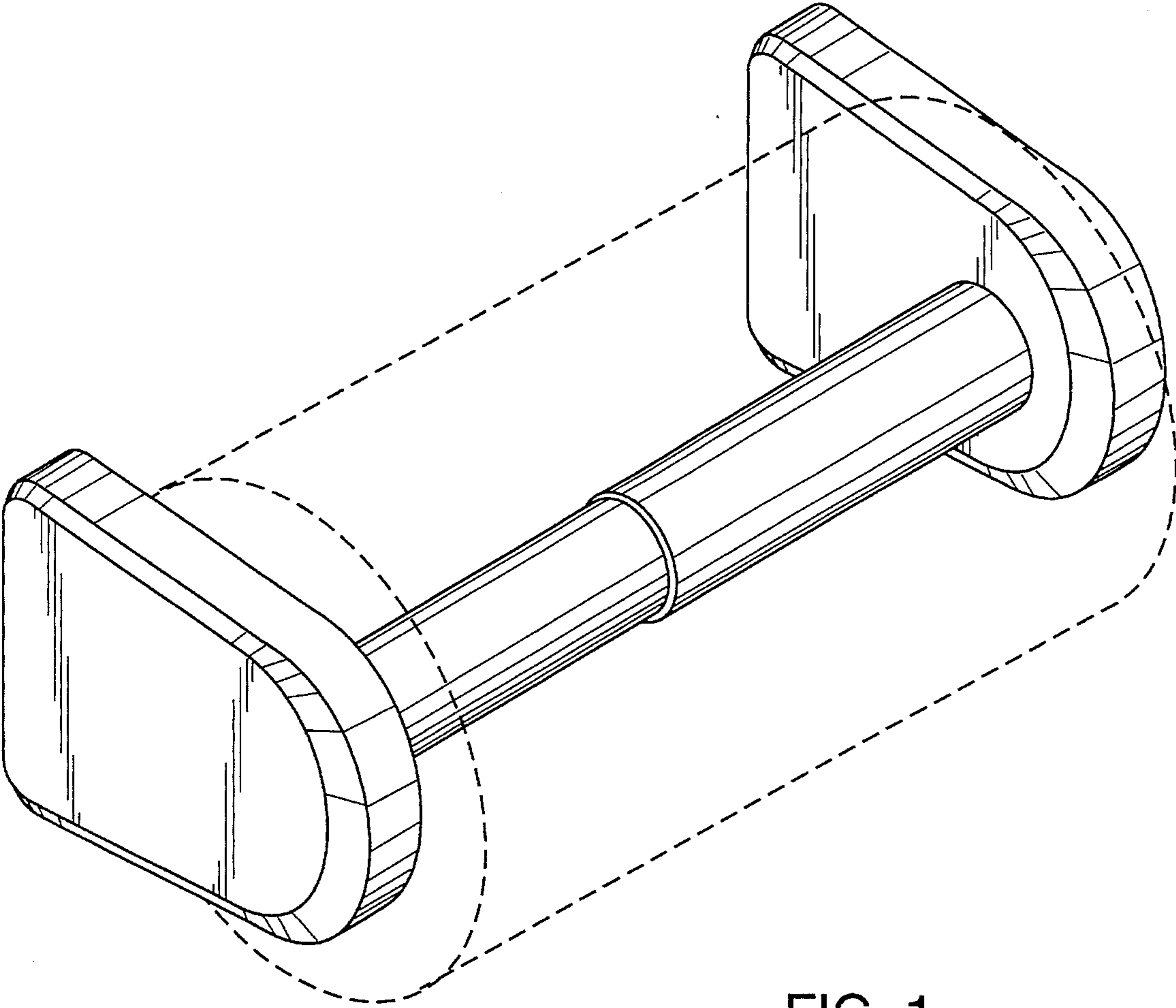


FIG. 1

FIG. 2

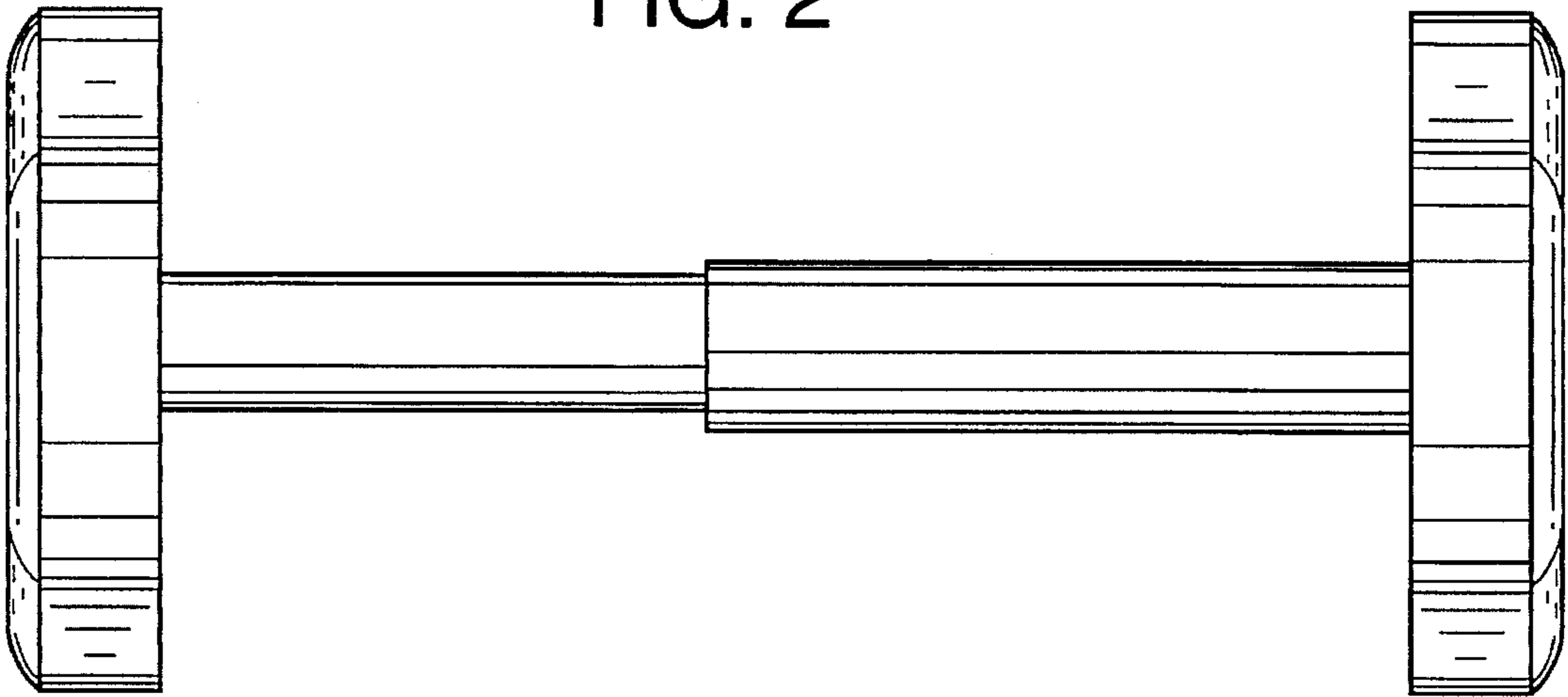
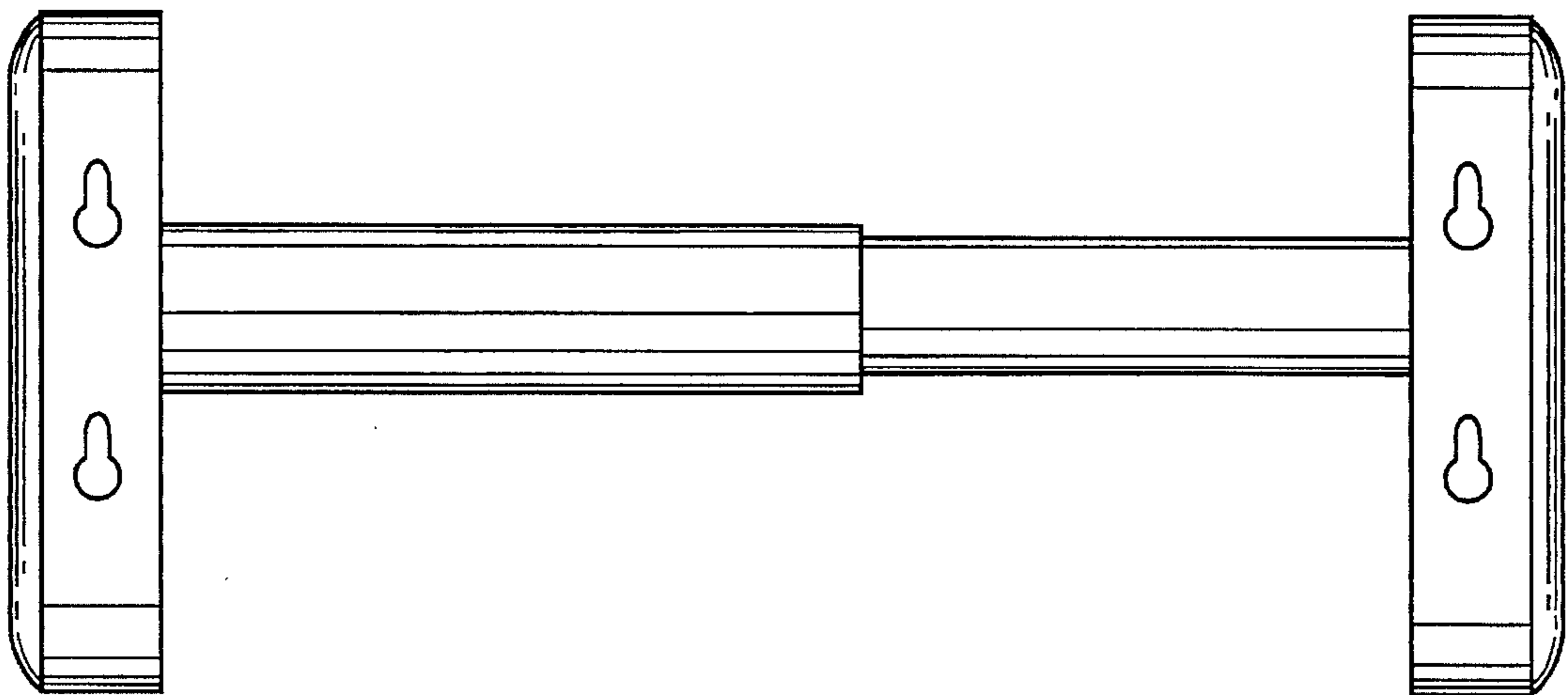


FIG. 3



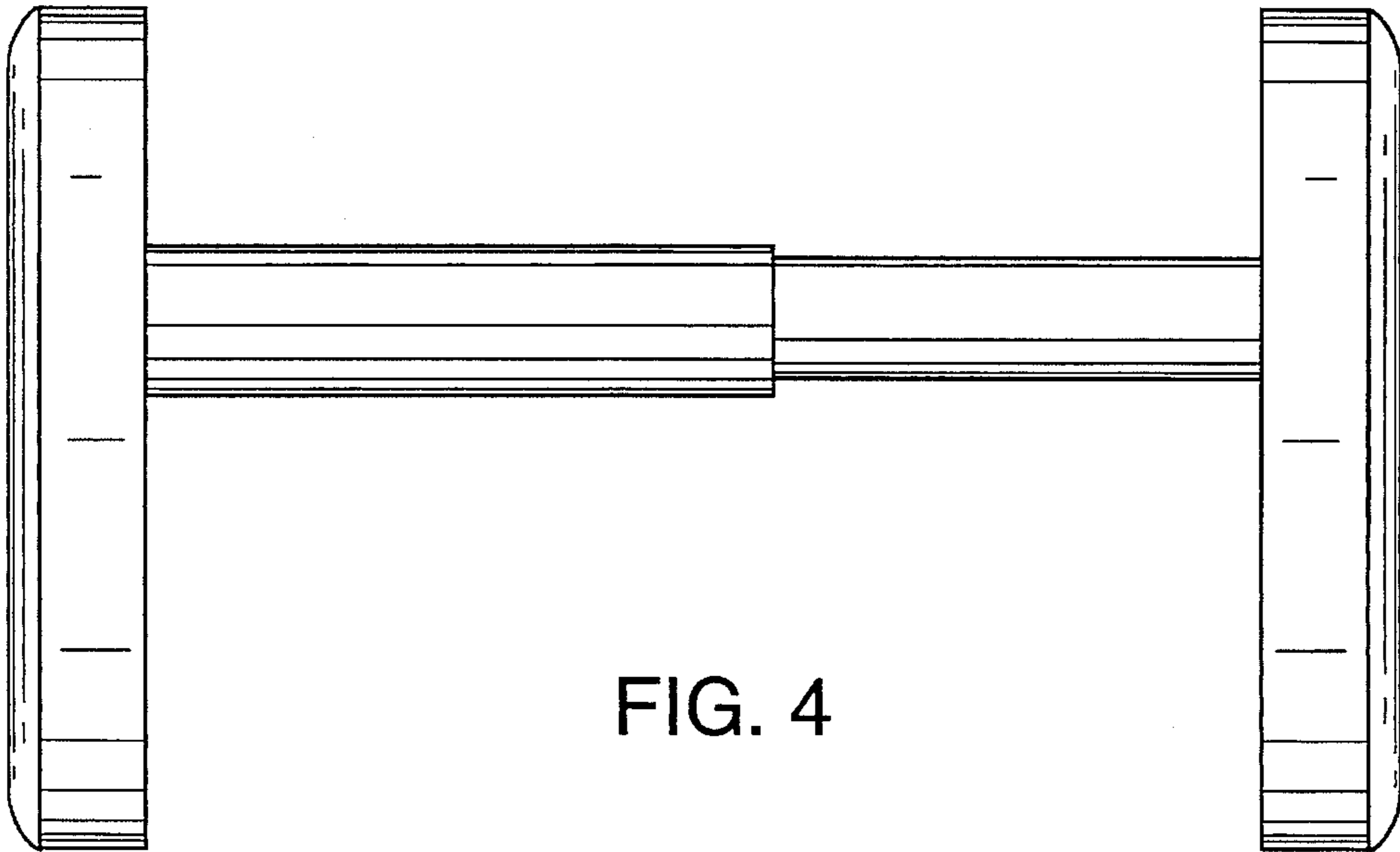


FIG. 4

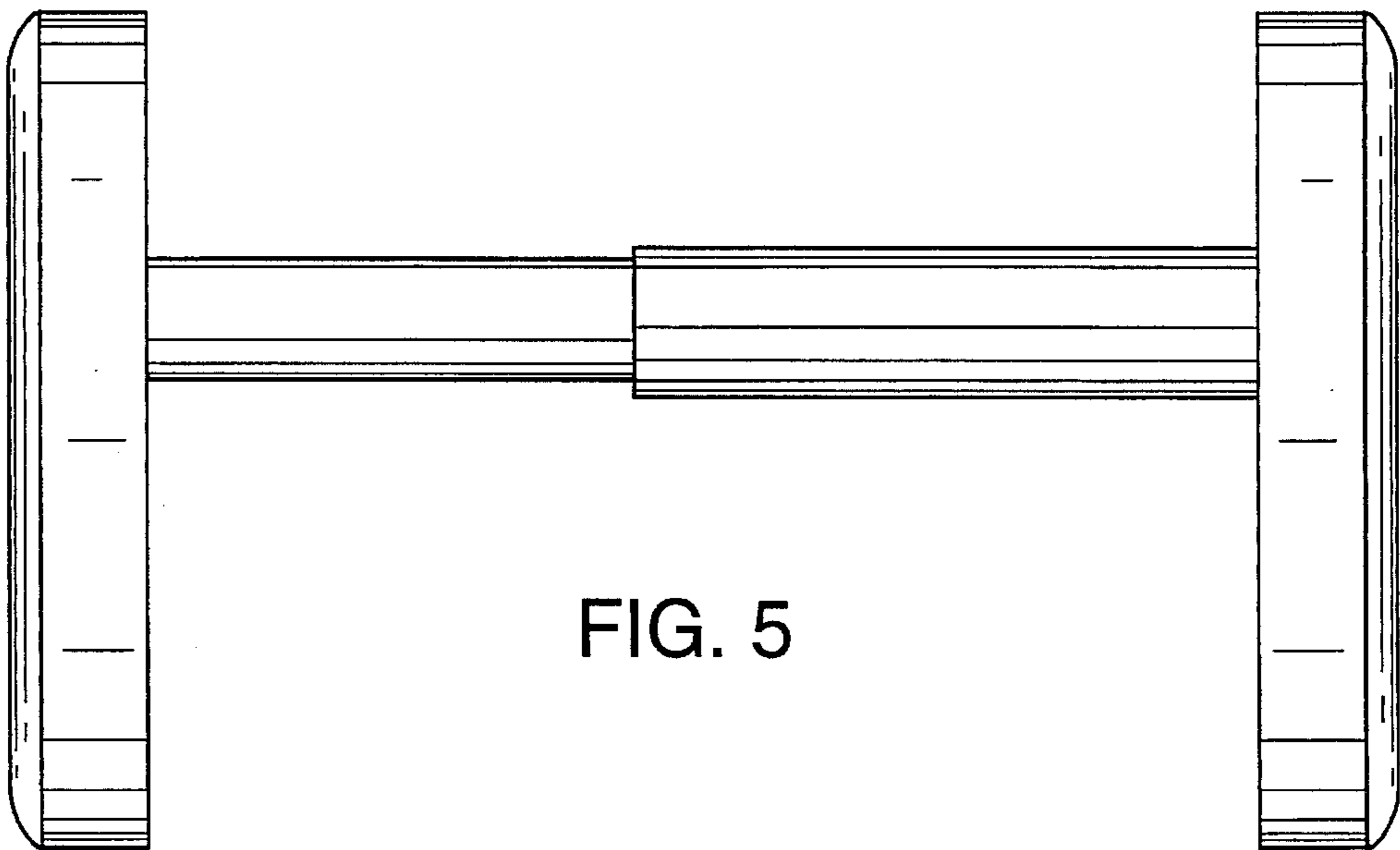


FIG. 5