



US00D374582S

United States Patent [19] Chu

[11] Patent Number: **Des. 374,582**

[45] Date of Patent: ****Oct. 15, 1996**

[54] **RACK FOR BOTTLES AND COMPACT DISKS**

4,485,930	12/1984	Savelkouls	211/74
4,660,727	4/1987	Levine	211/74
4,832,208	5/1989	Finnegan	211/74 X

[76] Inventor: **Abel Chu**, No. 20, Lane 16, Kuo Hua St., Chiayi City, Taiwan

Primary Examiner—Brian N. Vinson
Attorney, Agent, or Firm—Kolisch, Hartwell, Dickinson, McCormack & Heuser

[**] Term: **14 Years**

[57] **CLAIM**

[21] Appl. No.: **39,692**

The ornamental design for a rack for bottles and compact disks, as shown.

[22] Filed: **Jun. 2, 1995**

[52] U.S. Cl. **D6/513; D6/570; D6/629; D6/407; D6/553; D7/701**

DESCRIPTION

[58] **Field of Search** D6/553, 567, 569-574, D6/513, 514, 629, 407; D7/601, 602, 701, 704; 206/307, 307.1, 308.1, 308.3, 427, 429, 430; 211/71, 74, 75, 113, 40; 312/9.1, 9.9

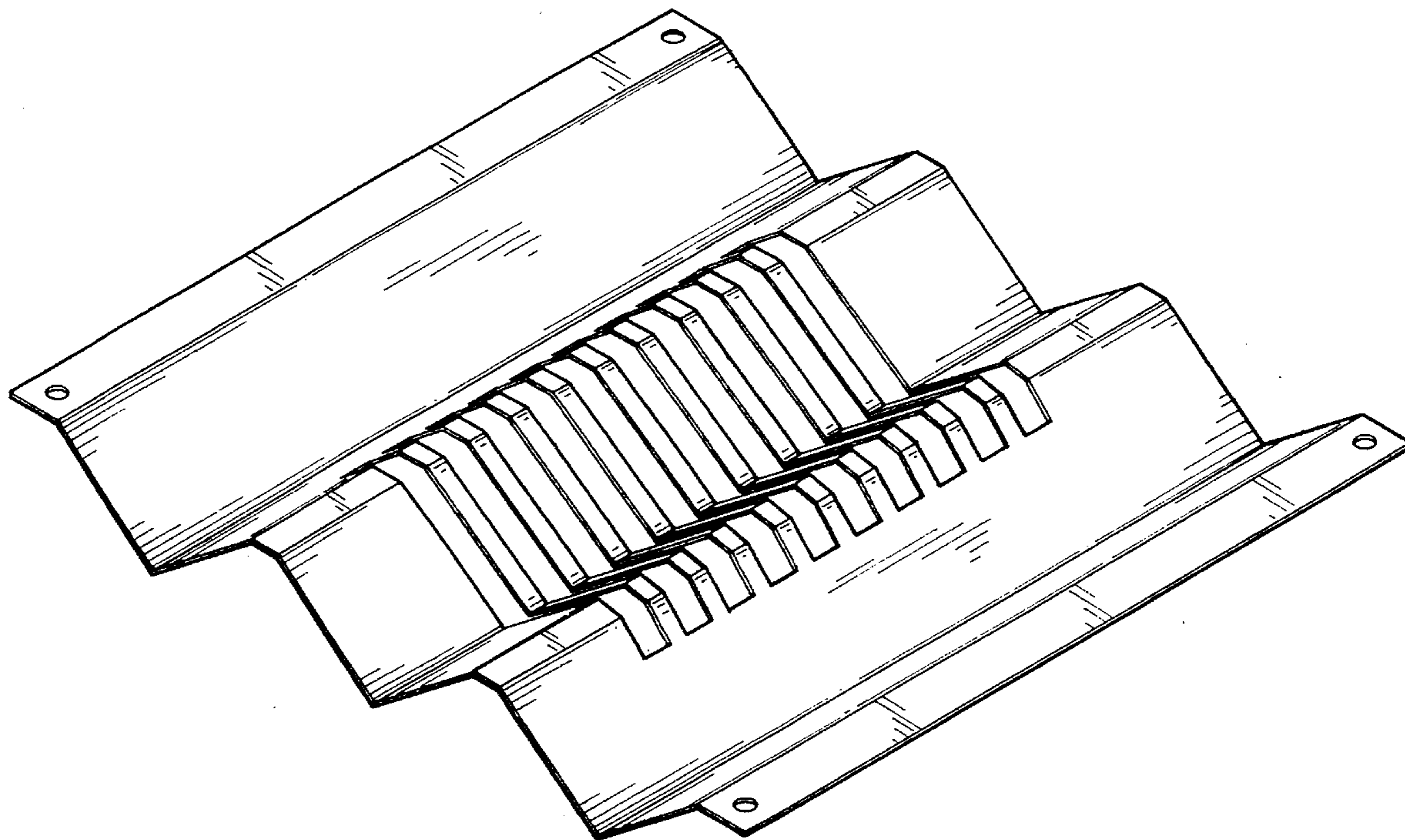
FIG. 1 is a perspective view from the front, top and right side of a rack for bottles and compact disks showing my design; FIG. 2 is a front view thereof; FIG. 3 is a rear view thereof; FIG. 4 is a right side elevational view thereof; FIG. 5 is a left side elevational view thereof; FIG. 6 is a top plan view thereof; and, FIG. 7 is a bottom plan view thereof.

[56] **References Cited**

U.S. PATENT DOCUMENTS

D. 331,466	11/1992	Ohadi	D7/701
D. 353,747	12/1994	Lanier	D7/701

1 Claim, 4 Drawing Sheets



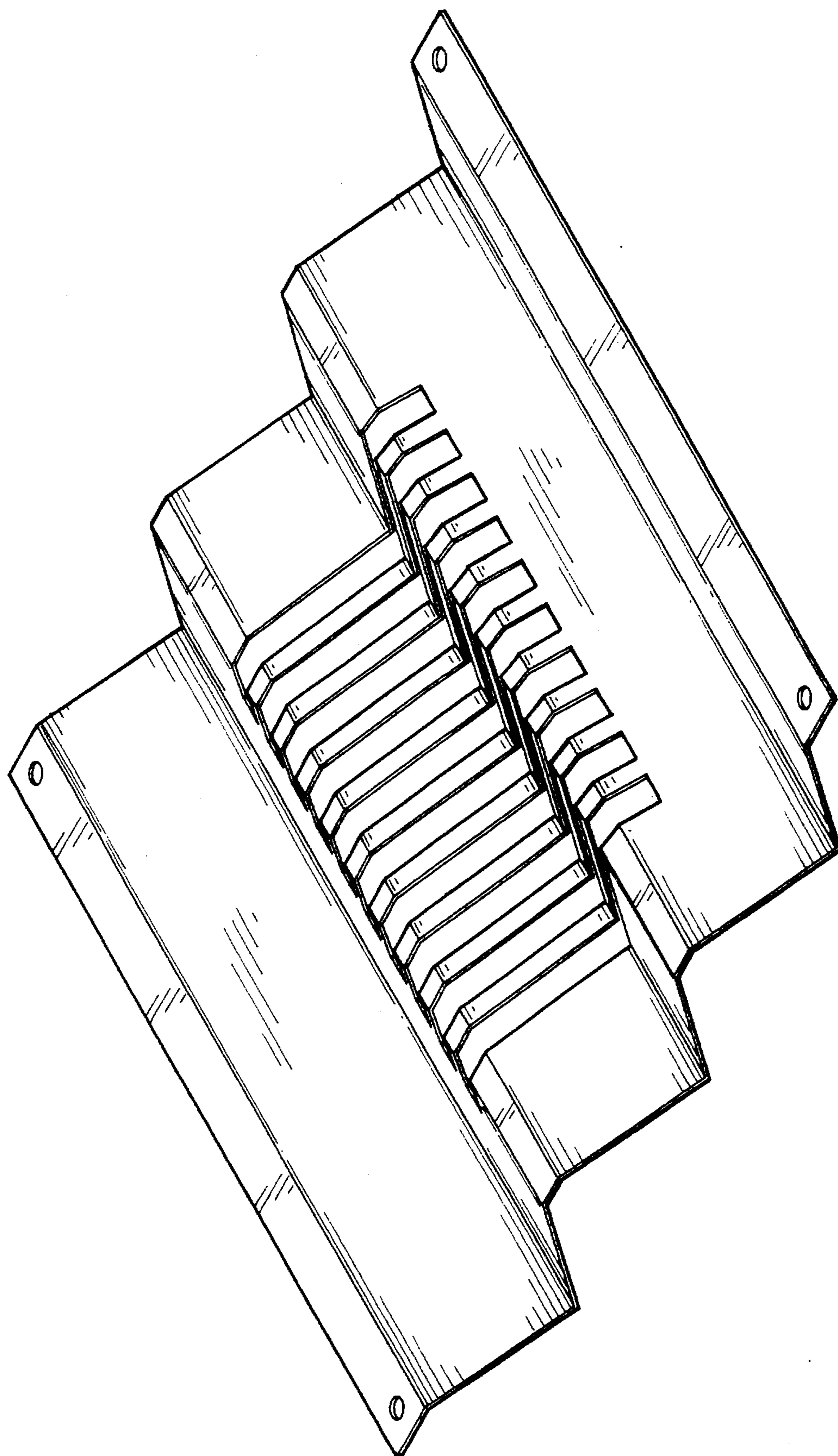


FIG.1

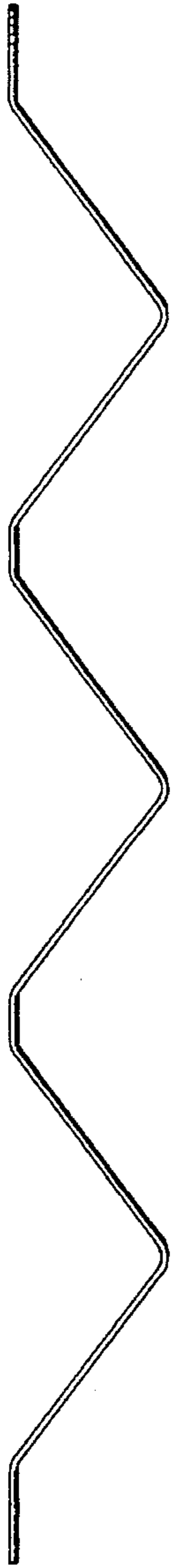


FIG. 2

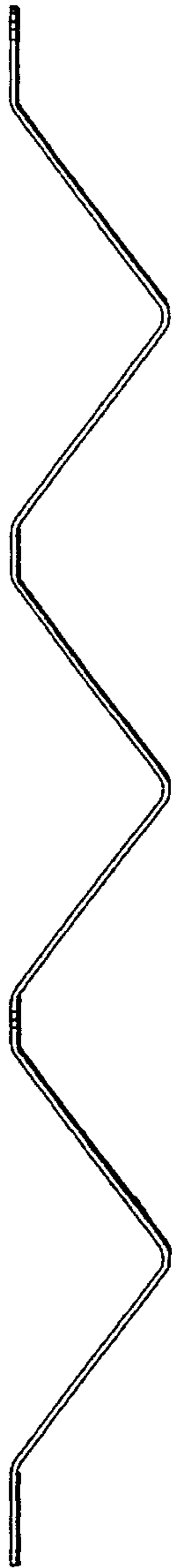


FIG. 3

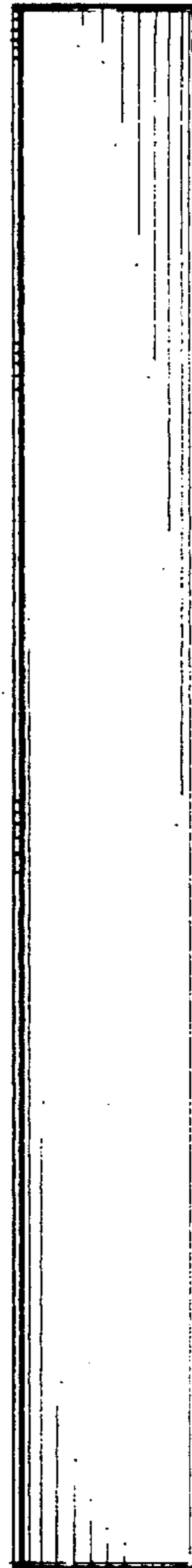


FIG. 4

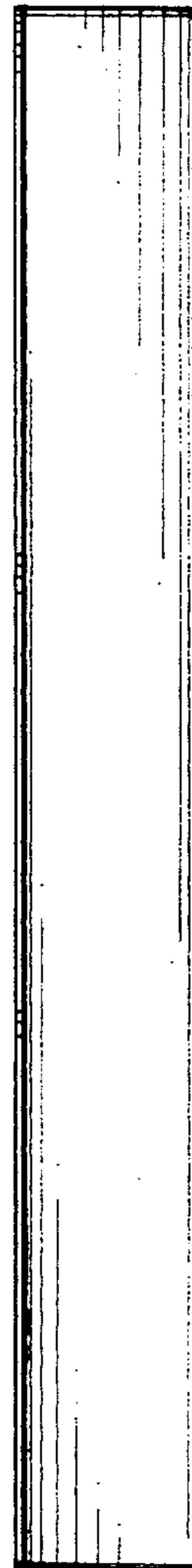


FIG. 5

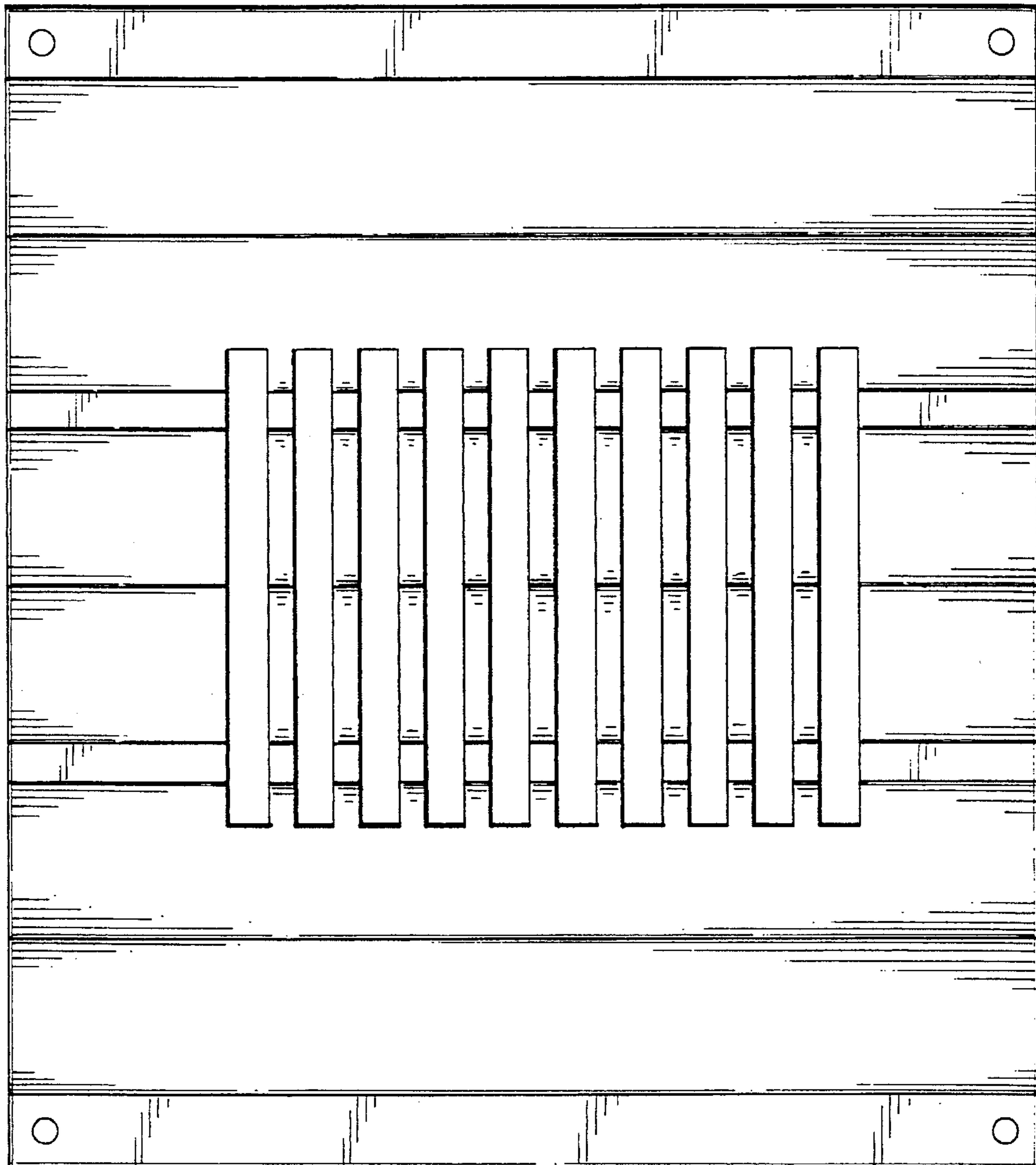


FIG. 6

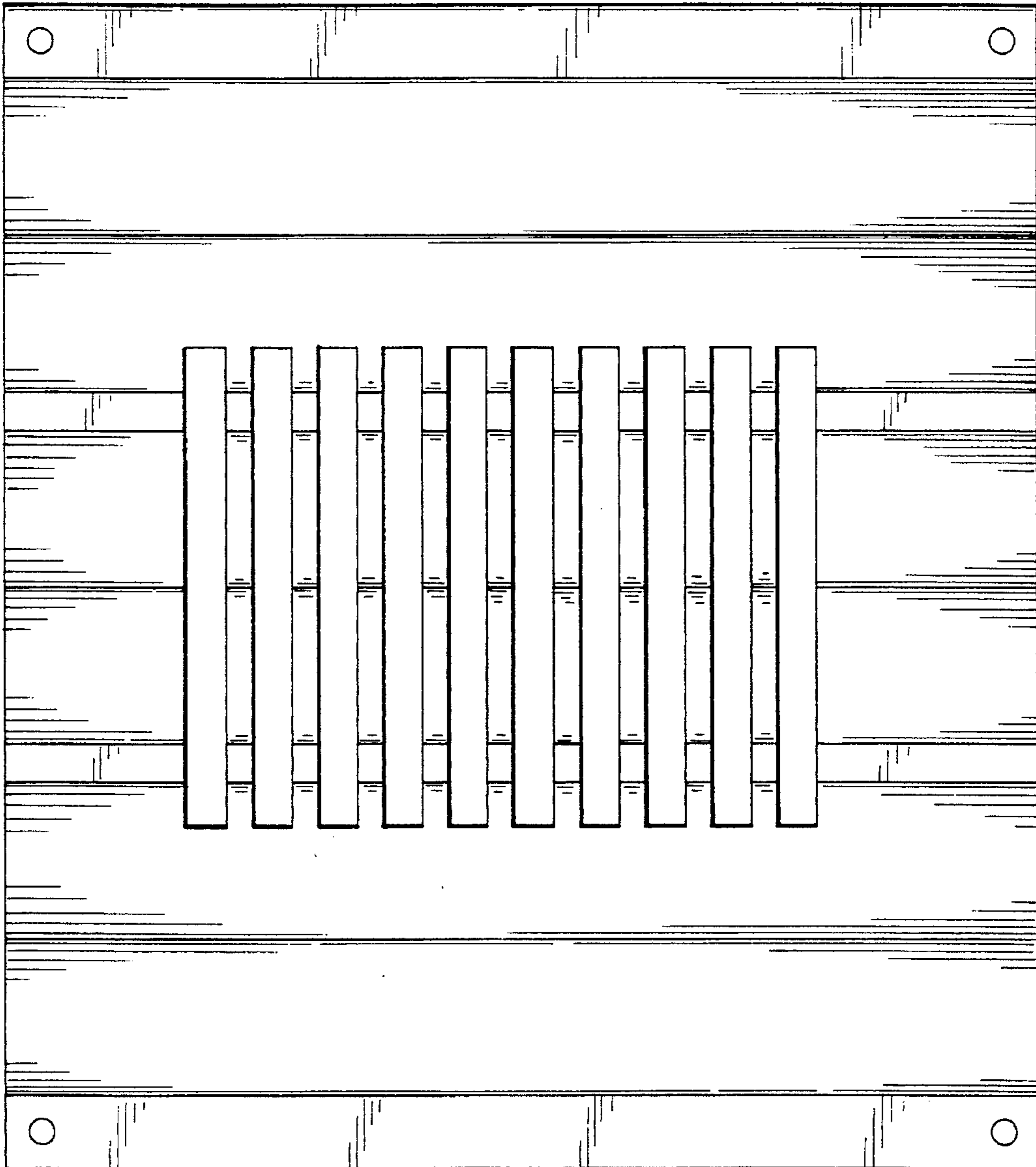


FIG. 7