



US00D374563S

# United States Patent [19]

[11] Patent Number: **Des. 374,563**

Simon et al.

[45] Date of Patent: **\*\*Oct. 15, 1996**

[54] **MOBILE DESK UNIT**

[75] Inventors: **Peter Simon; Elmar Schlereth**, both of München, Germany

[73] Assignee: **Knürr-Mechanik für die Elektronik Aktiengesellschaft**, Munich, Germany

[\*\*] Term: **14 Years**

[21] Appl. No.: **26,209**

[22] Filed: **Jul. 21, 1994**

### [30] Foreign Application Priority Data

Jan. 27, 1994 [DE] Germany ..... M 94 00 771.3

[52] U.S. Cl. .... **D6/422**

[58] Field of Search ..... D6/396, 397, 419-428, D6/429; D34/17, 21; 108/150

### [56] References Cited

#### U.S. PATENT DOCUMENTS

D. 190,082	4/1961	Chervenka	.....	D34/17 X
D. 246,880	1/1978	Miola	.....	D34/17 X
D. 252,388	7/1979	Fjello-Jensen	.....	D6/431 X
D. 316,723	5/1991	Ng et al.	.....	D6/426

D. 332,887	2/1993	Fjello-Jensen	.....	D6/429 X
D. 346,251	4/1994	Morooka	.....	D34/17
D. 353,926	12/1994	Aguilar et al.	.....	D6/419 X
3,896,744	7/1975	Goebel	.....	108/150 X
4,690,417	9/1987	Betts et al.	.....	D34/17 X
4,766,704	8/1988	Brandestini et al.	.....	D34/21 X
4,879,954	11/1989	Sawamura et al.	.....	108/1 X

*Primary Examiner*—B. J. Bullock  
*Assistant Examiner*—Cathron B. Matta  
*Attorney, Agent, or Firm*—Keck, Mahin & Cate

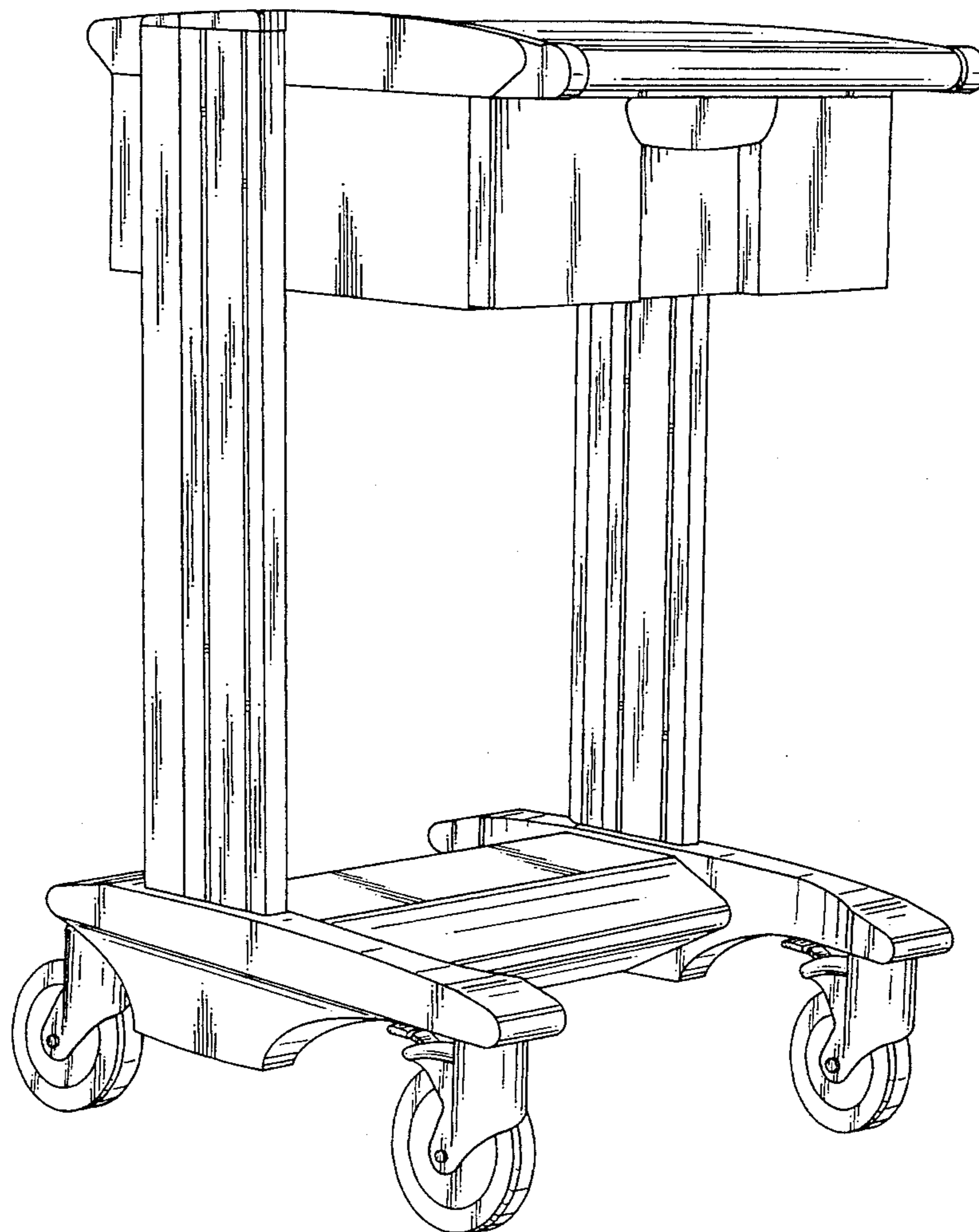
### [57] CLAIM

The ornamental design for a mobile desk unit, as shown and described.

### DESCRIPTION

FIG. 1 is a perspective general view of a mobile desk unit, showing the new design;  
FIG. 2 is a front view thereof;  
FIG. 3 is a side view thereof;  
FIG. 4 is a top view thereof; and,  
FIG. 5 is a top view of the mobile base of the mobile desk unit.  
FIGS. 2 through 5 are shown at a reduced scale.

**1 Claim, 2 Drawing Sheets**



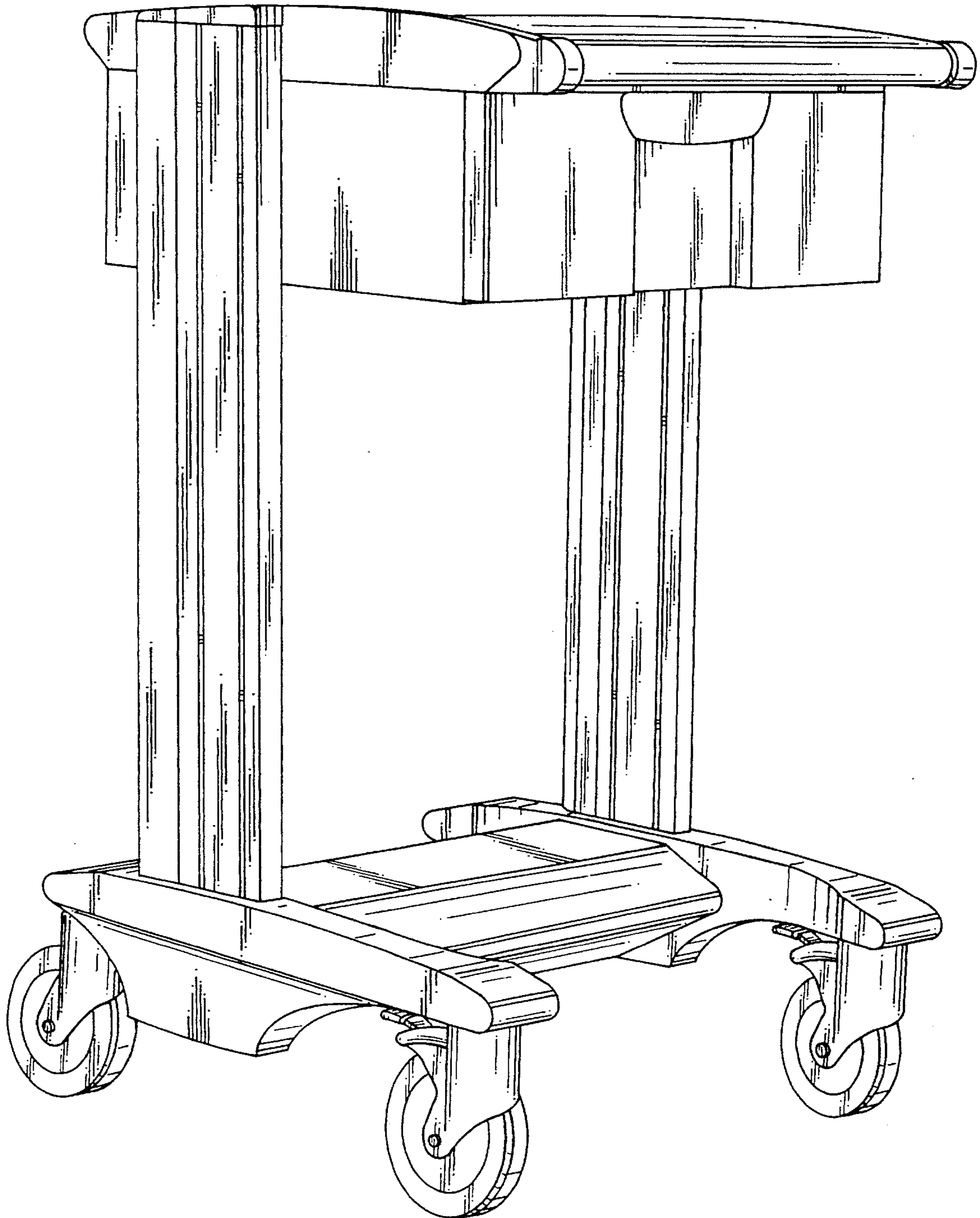


FIG. 1

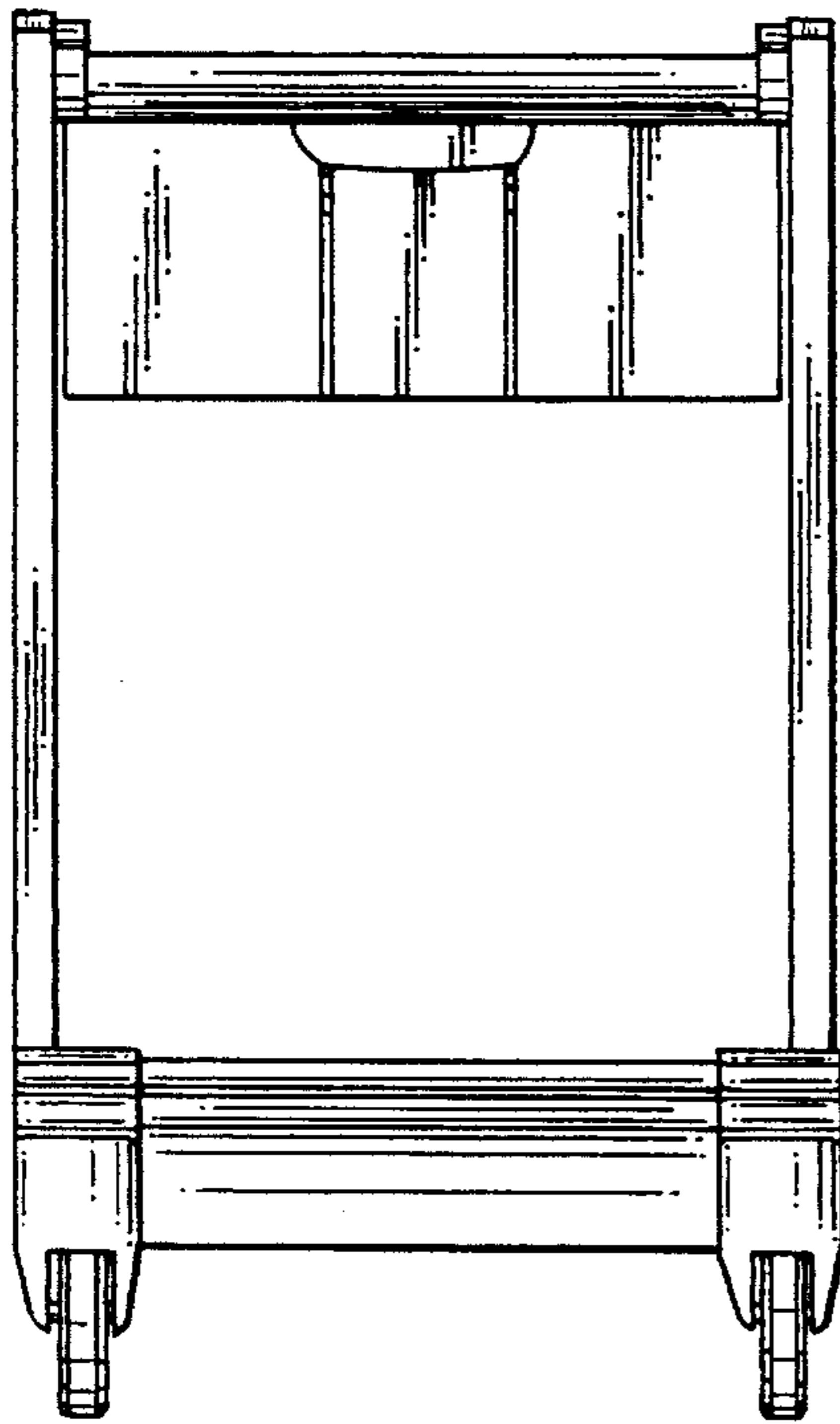


FIG. 2

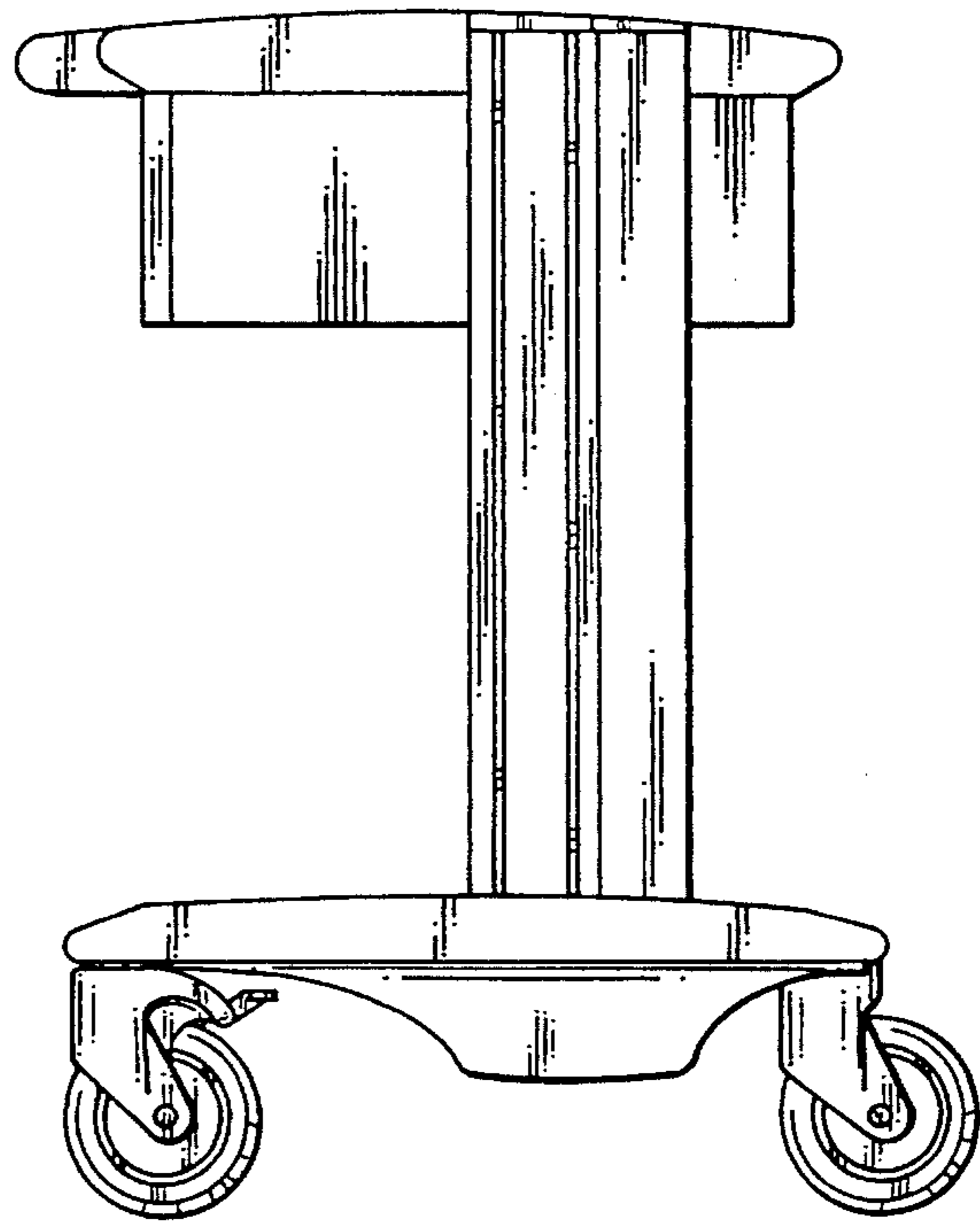


FIG. 3

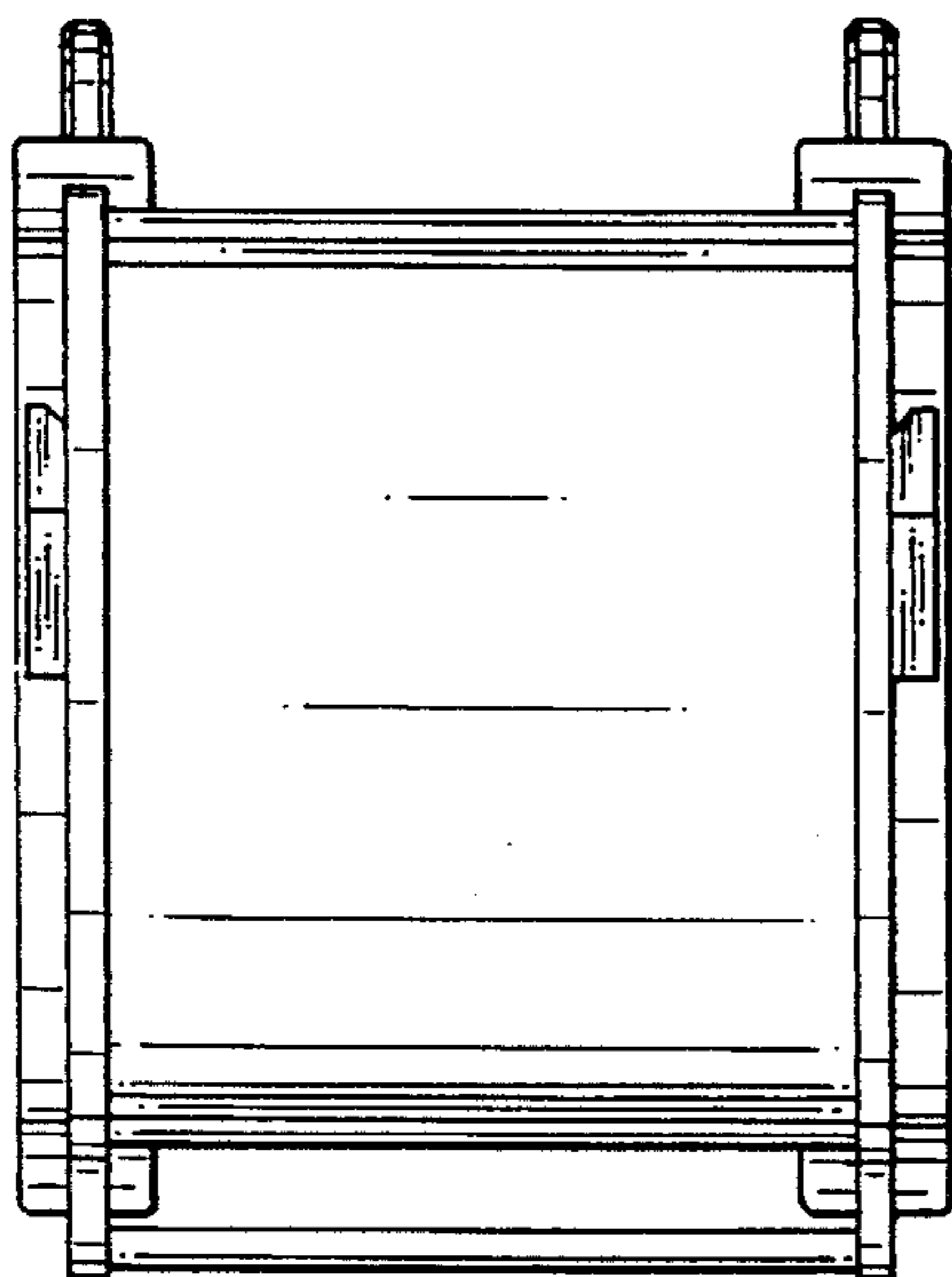


FIG. 4

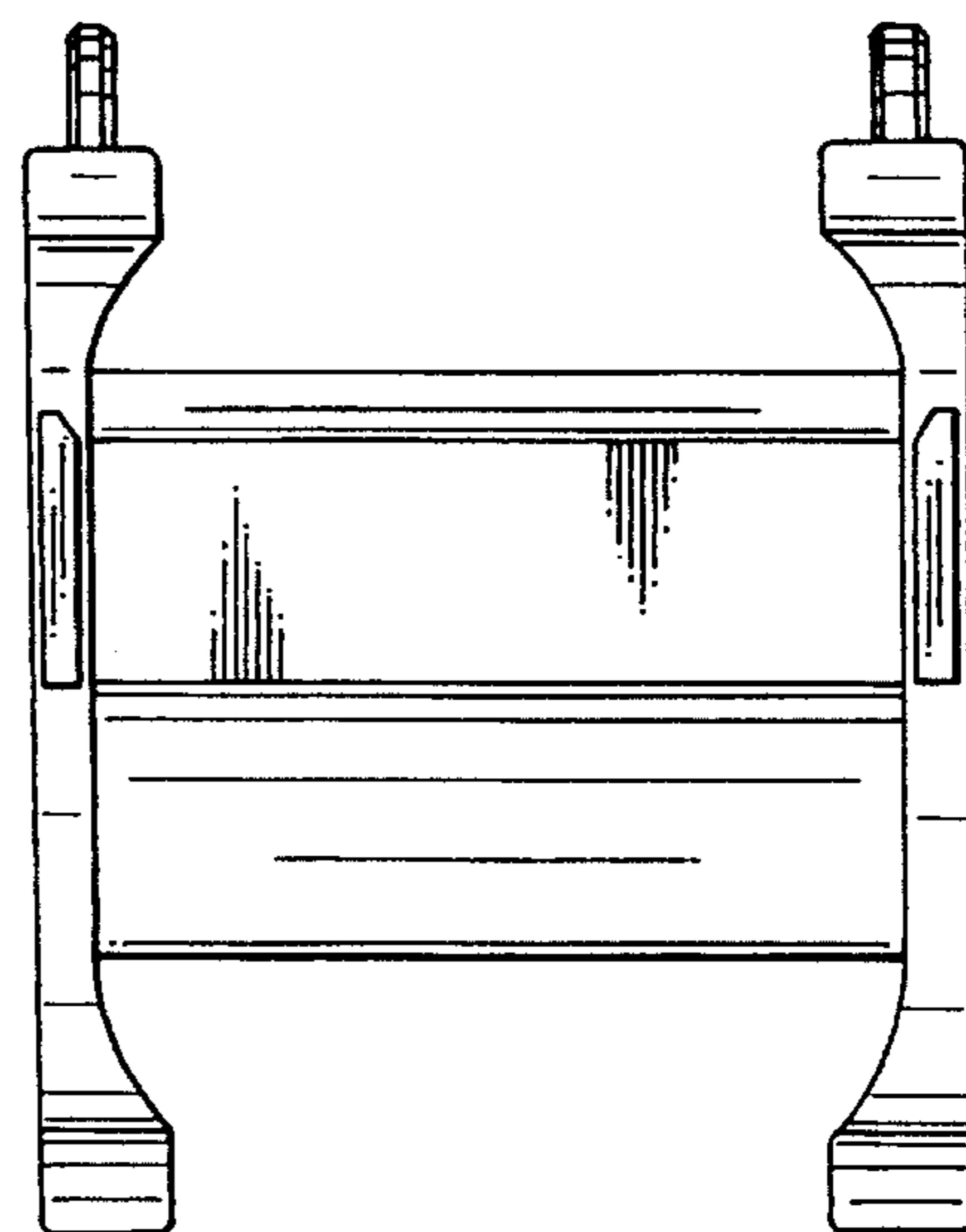


FIG. 5