



US00D374561S

# United States Patent [19] Meijer

[11] Patent Number: **Des. 374,561**

[45] Date of Patent: **\*\*Oct. 15, 1996**

[54] **CHAIR**

[75] Inventor: **Just B. Meijer**, Rhenen, Netherlands

[73] Assignee: **Indecom N.V.**, Netherlands

[\*\*] Term: **14 Years**

[21] Appl. No.: **27,474**

[22] Filed: **Aug. 22, 1994**

[30] **Foreign Application Priority Data**

Feb. 23, 1994 [DK] Denmark ..... DM/028785

[52] U.S. Cl. .... **D6/379; D6/380**

[58] Field of Search ..... D6/334, 374, 375,  
D6/379, 380, 500, 501, 502; 297/446

[56] **References Cited**

**U.S. PATENT DOCUMENTS**

D. 115,052	5/1939	Salomon	.....	D6/379
D. 213,191	1/1969	Koch	.....	D6/374 X
D. 301,946	7/1989	Meyer	.....	D6/379
D. 305,389	1/1990	Bellini	.....	D6/379
D. 308,143	5/1990	Lohmeyer	.....	D6/379

D. 308,305	6/1990	Snodgrass	.....	D6/379
D. 312,005	11/1990	Snodgrass	.....	D6/379
D. 320,510	10/1991	Ivicevic	.....	D6/379
D. 353,498	12/1994	Cox	.....	D6/380
D. 355,081	2/1995	Scheper	.....	D6/380
D. 362,557	9/1995	Escalona	.....	D6/379 X
D. 364,973	12/1995	de Reuver	.....	D6/375

*Primary Examiner*—James M. Gandy  
*Assistant Examiner*—Gary D. Watson  
*Attorney, Agent, or Firm*—Gunn, Lee & Miller, P.C.

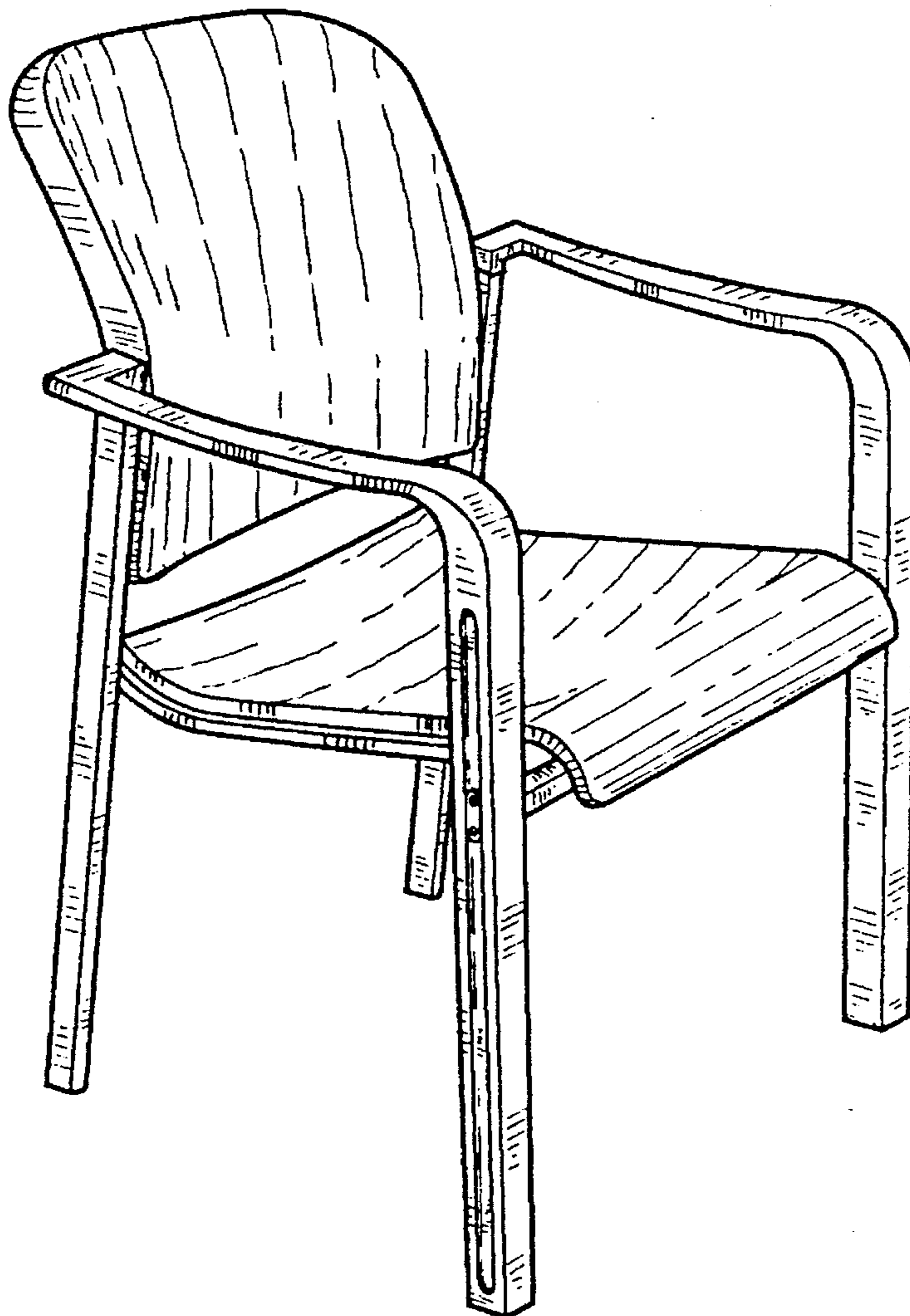
[57] **CLAIM**

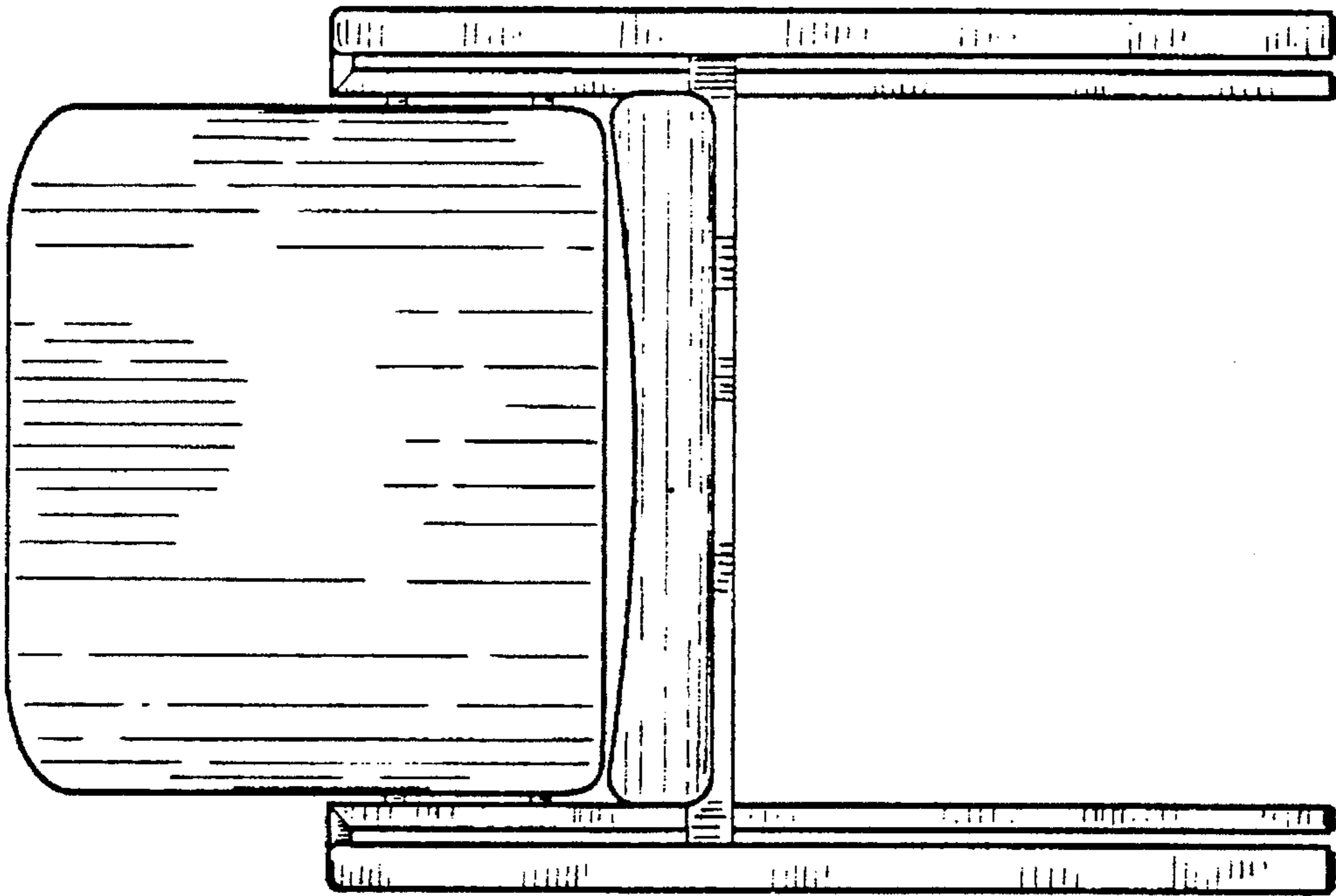
The ornamental design for a chair, as shown and described.

**DESCRIPTION**

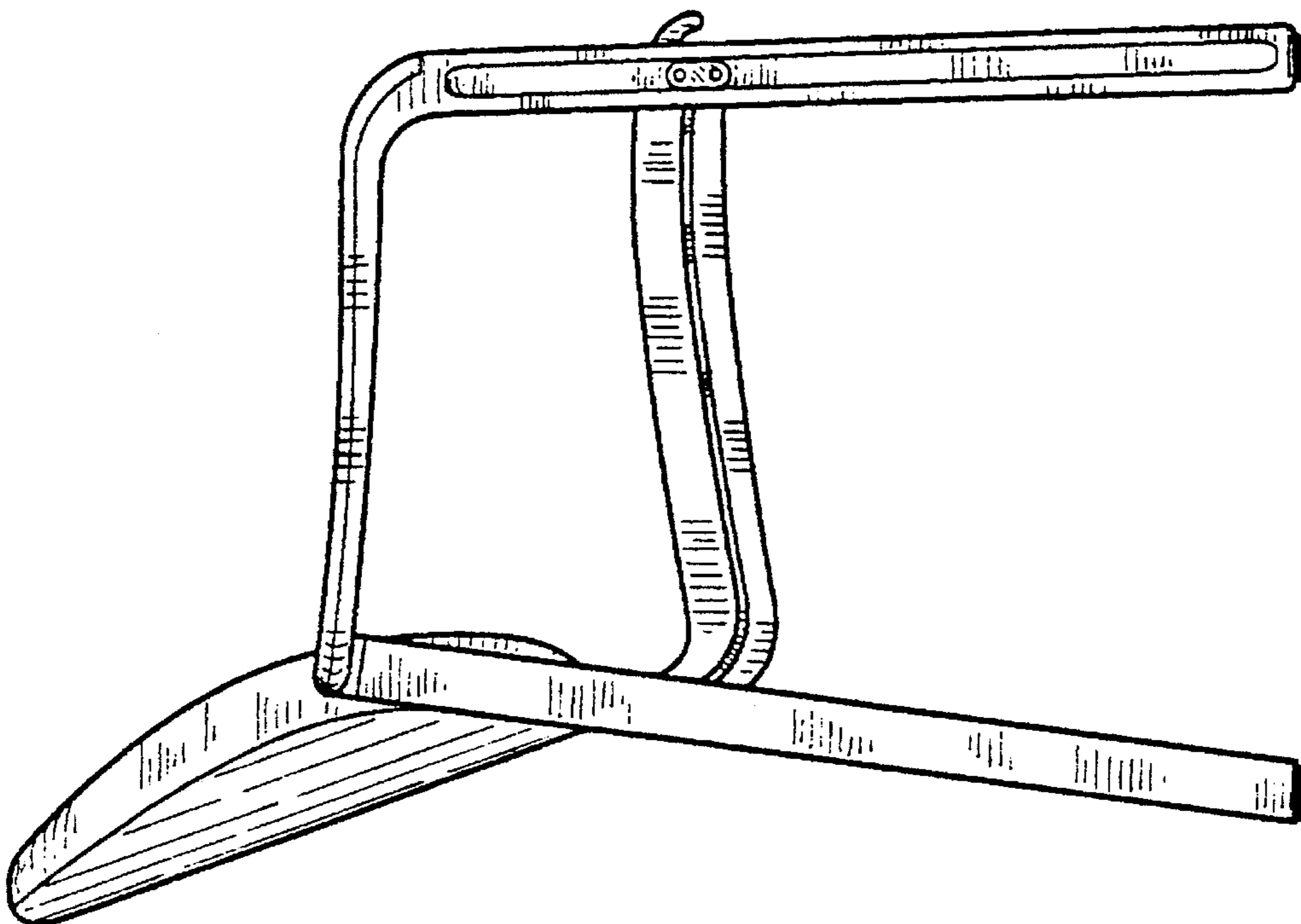
FIG. 1 is a view from one side of the chair, in a first embodiment, the other side view being symmetrical;  
FIG. 2 is a front elevational view;  
FIG. 3 is a rear elevational view;  
FIG. 4 is a top view;  
FIG. 5 is a bottom view; and,  
FIG. 6 is an isometric view, all of the same embodiment.

**1 Claim, 3 Drawing Sheets**

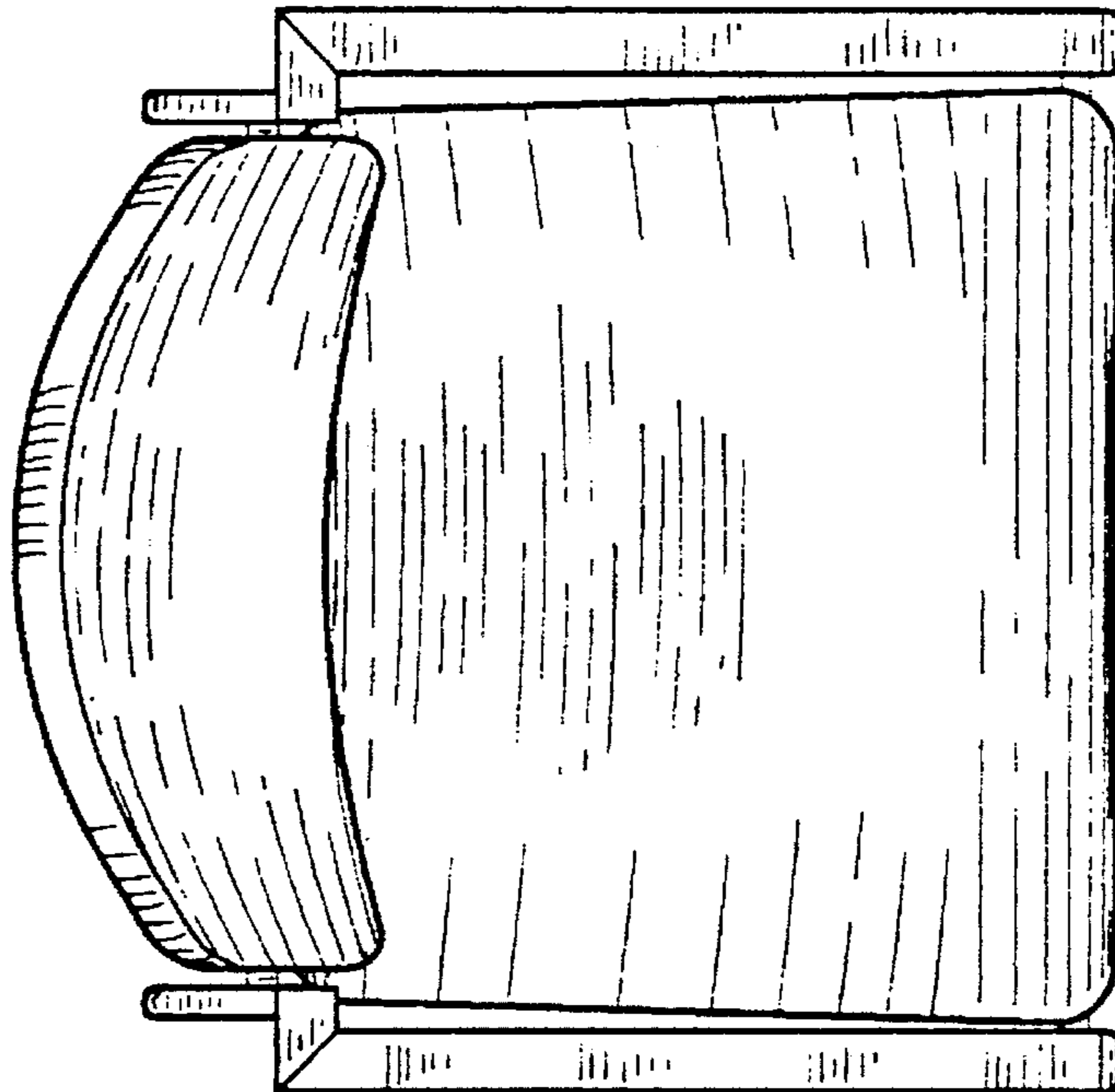




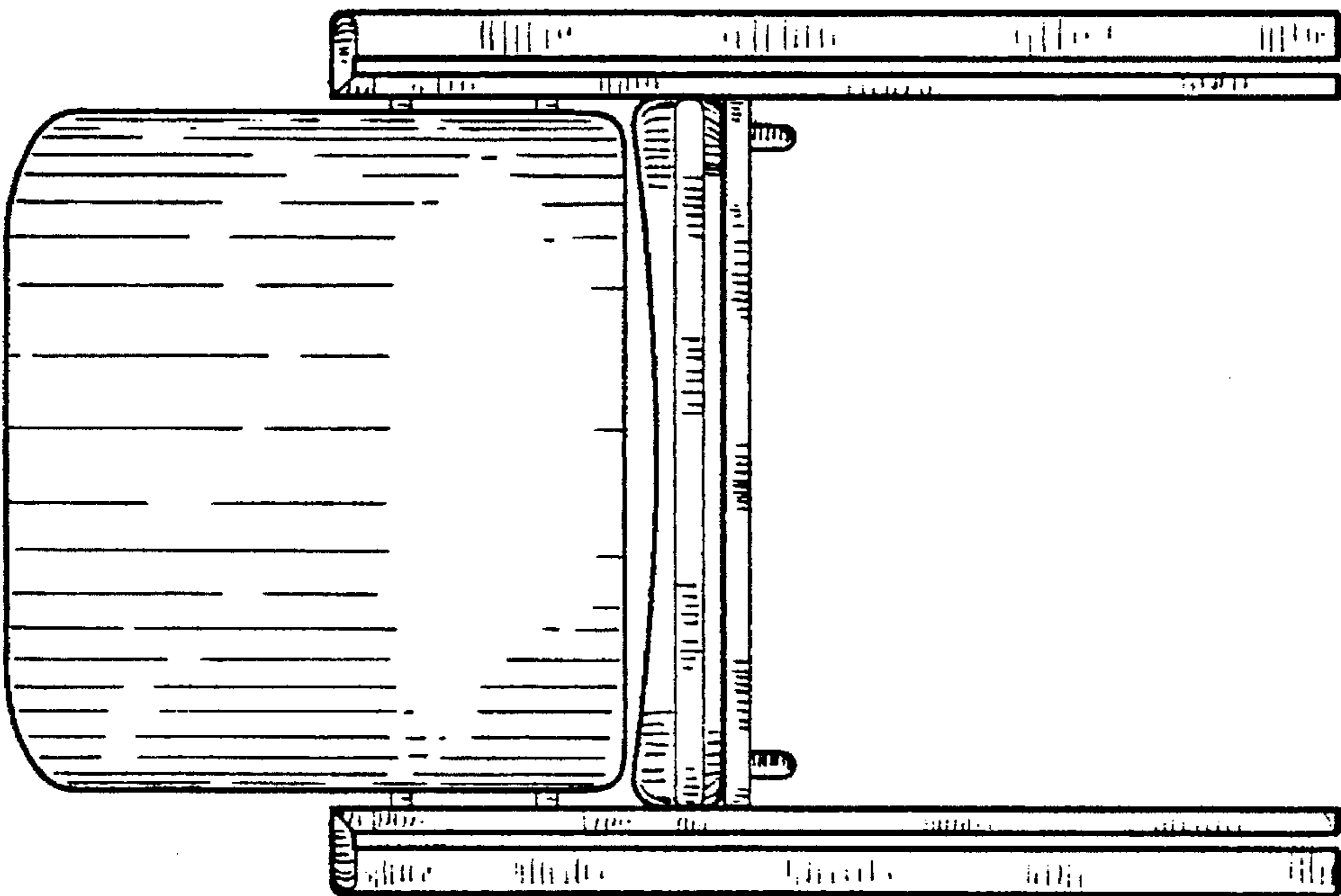
*Fig. 2*



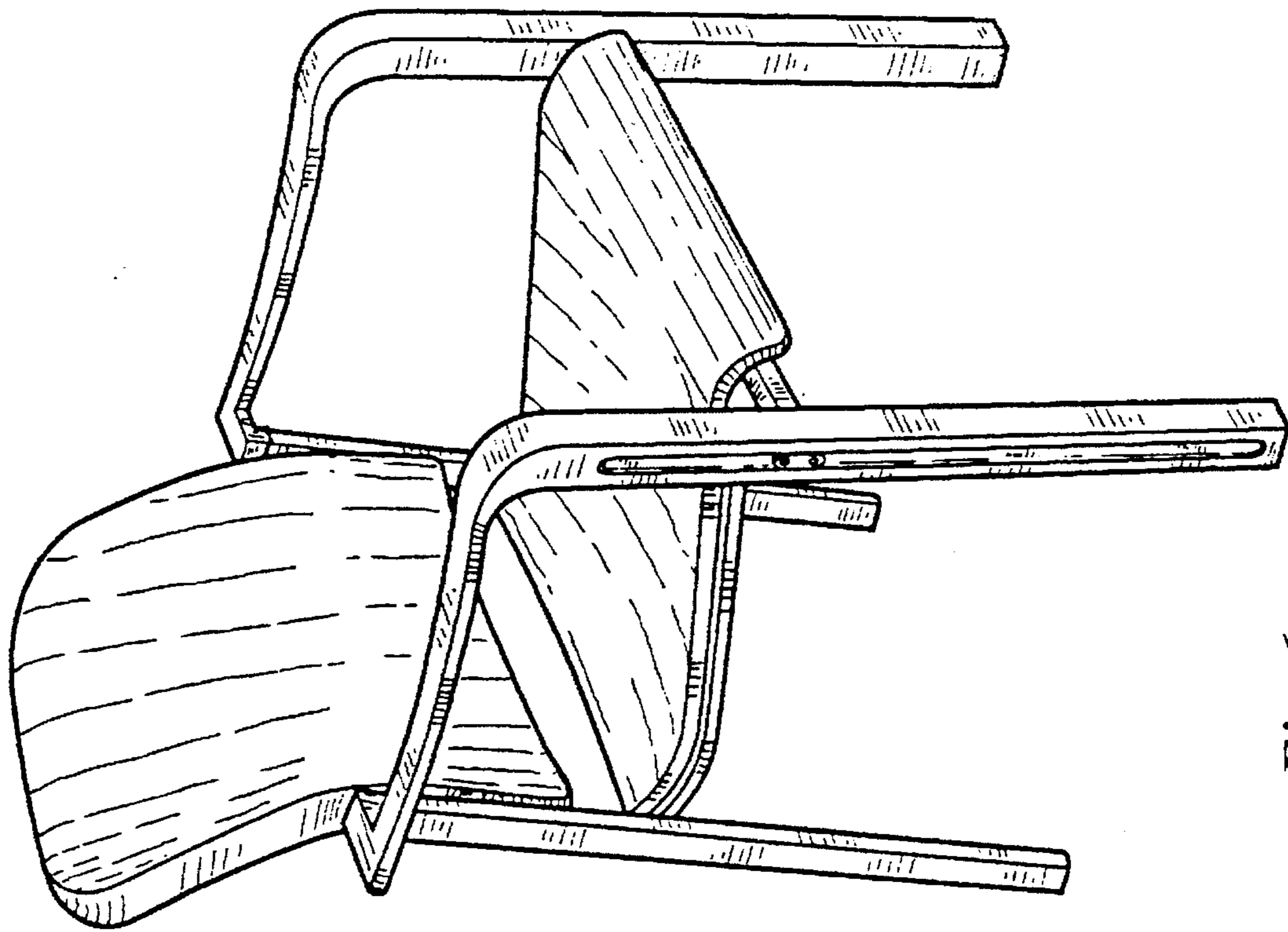
*Fig. 1*



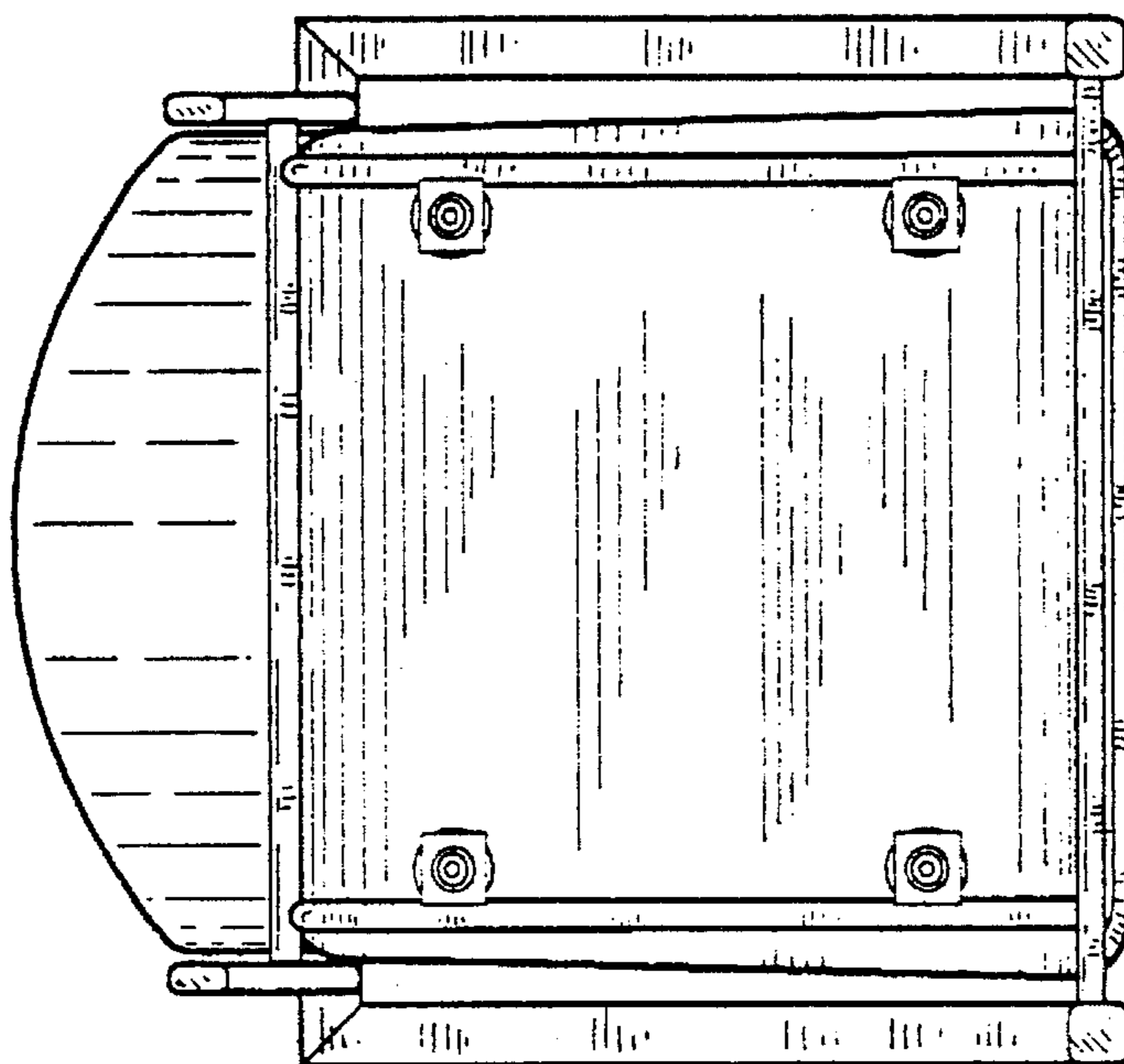
*Fig. 4*



*Fig. 3*



*Fig. 6*



*Fig. 5*