



US00D374557S

United States Patent [19] Whitaker

[11] Patent Number: **Des. 374,557**

[45] Date of Patent: ****Oct. 15, 1996**

[54] **LONG HANDLE V-LINE BRUSH**

[57] **CLAIM**

[75] Inventor: **W. Michael Whitaker, Asheboro, N.C.**

The ornamental design for a long handle V-line brush, as shown and described.

[73] Assignee: **Whit Corporation, Ramseur, N.C.**

[**] Term: **14 Years**

DESCRIPTION

[21] Appl. No.: **44,209**

FIG. 1 is a side elevational view of a long handle V-line brush of this invention, with an opposite, side elevational view, taken with the brush of FIG. 1 is rotated 180° about its longitudinal axis, being a mirror image thereof;

[22] Filed: **Sep. 20, 1995**

FIG. 2 is a side elevational view of the long handle V-line brush of FIG. 1 when rotated about its longitudinal axis 90°;

Related U.S. Application Data

[62] Division of Ser. No. 15,317, Nov. 15, 1993, Pat. No. Des. 366,962.

[52] U.S. Cl. **D4/120; D4/116; D32/42**

[58] Field of Search **D4/116, 119, 120, D4/130, 132, 134, 138; D32/40, 42; 15/105, 106, 107, 114, 118, 143.1, 159.1, 160, 186, 187, 244.1, 244.4**

FIG. 3 is a side elevational view of the brush of FIGS. 1 and 2 when the brush is rotated 180° about its longitudinal axis from the view in FIG. 2;

FIG. 4, 5, 6, and 7 are cross-sectional views taken respectively at cuts 4—4, 5—5, 6—6, and 7—7 in FIG. 1;

[56] References Cited

U.S. PATENT DOCUMENTS

D. 165,753	1/1952	Herron	D4/119
D. 179,985	4/1957	Scholl	D4/132
D. 282,604	2/1986	Whitaker	D4/118
D. 291,029	7/1987	Purvis et al.	D4/118
D. 292,949	12/1987	Vetter	D4/116
D. 320,312	10/1991	Grant	D4/119
D. 345,639	3/1994	Pollak et al.	D32/42
1,510,898	10/1924	Nikicser	15/114 X
1,587,024	6/1926	Murphy	15/107
1,870,057	8/1932	Levin	15/107
4,281,433	8/1981	Sendoykas	15/105

FIG. 8 is an end elevational view taken from the brush end of the long handle V-line brush of FIG. 1;

FIG. 9 is an end elevational view taken from the handle end of the long handle V-line brush of FIG. 1;

FIG. 10 is a side elevational view of a second embodiment long handle V-line brush of this invention, with an opposite, side elevational view taken when the brush of FIG. 10 is rotated 180° about its longitudinal axis, being a mirror image thereof;

FIG. 11 is a side elevational view of the long handle V-line brush of FIG. 10 when rotated about its longitudinal axis 90°;

FIG. 12 is an end elevational view taken from the brush end of the long handle V-line brush of FIG. 10; and,

FIG. 13 is an end elevational view taken from the handle end of the long handle V-line brush of FIG. 10.

Primary Examiner—A. Hugo Word
Assistant Examiner—Lavone D. Tabor
Attorney, Agent, or Firm—Griffin, Butler Whisenhunt & Kurtosy

1 Claim, 5 Drawing Sheets

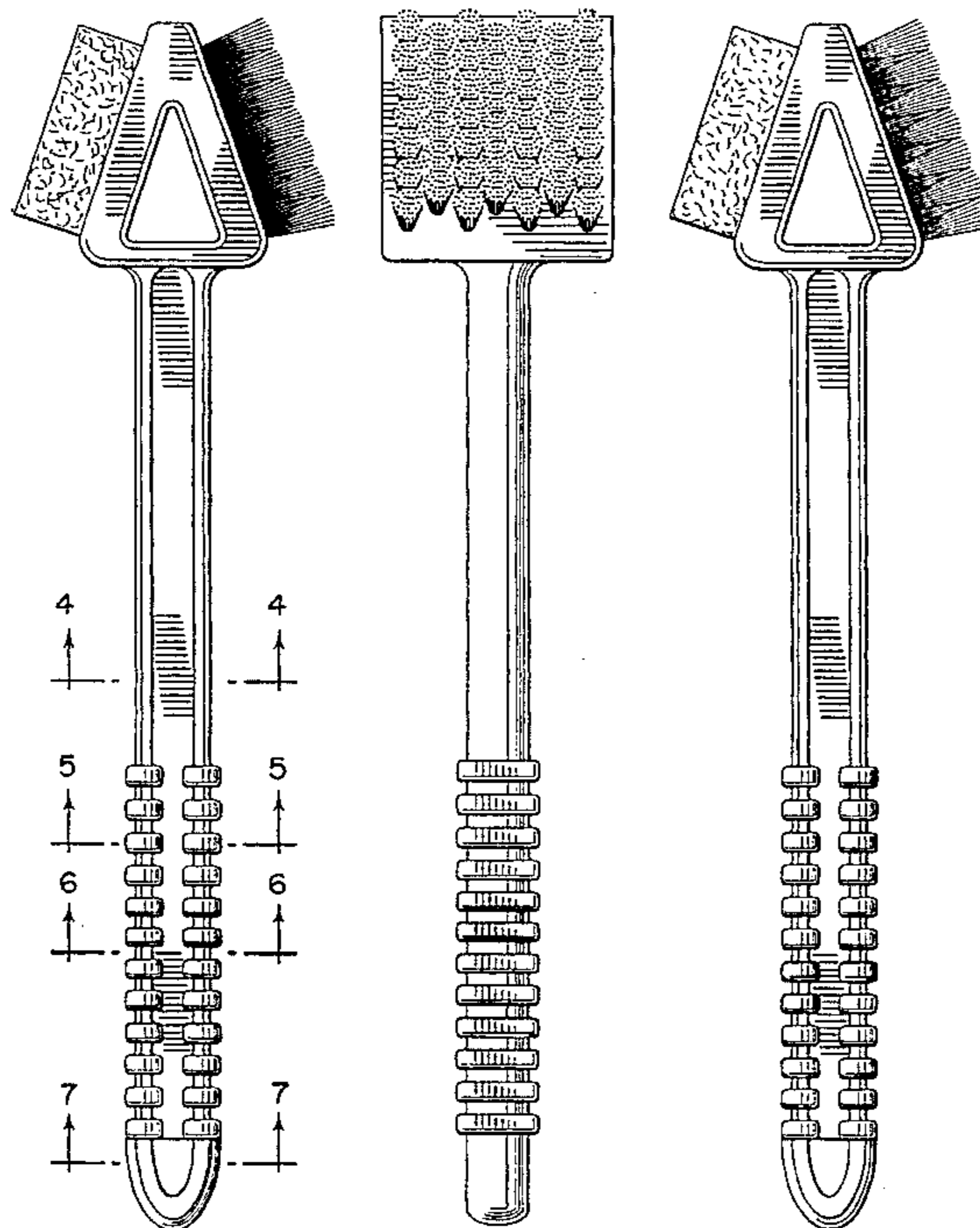


FIG. 1

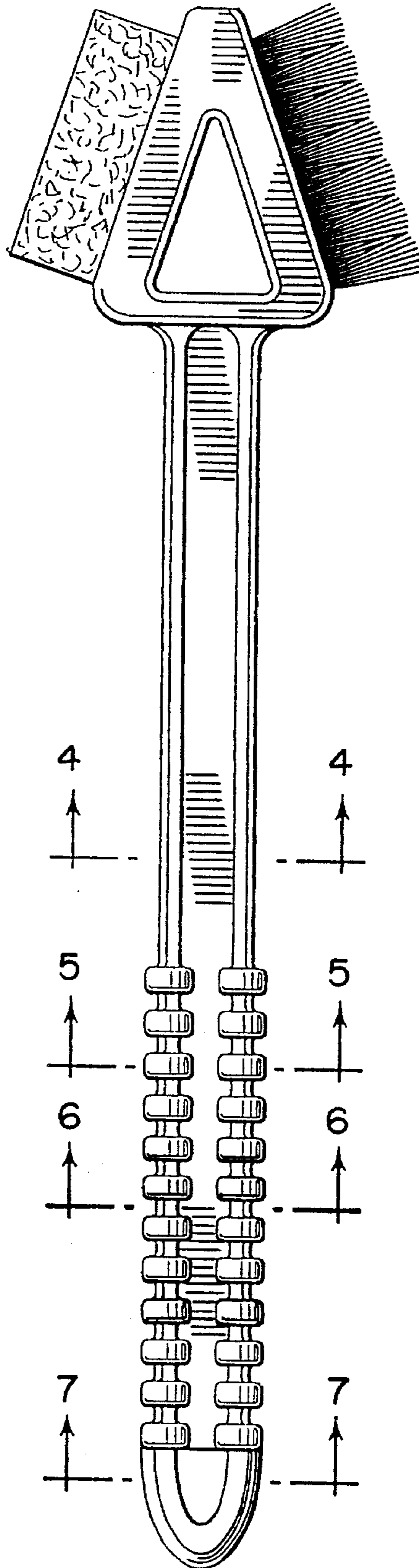


FIG. 2

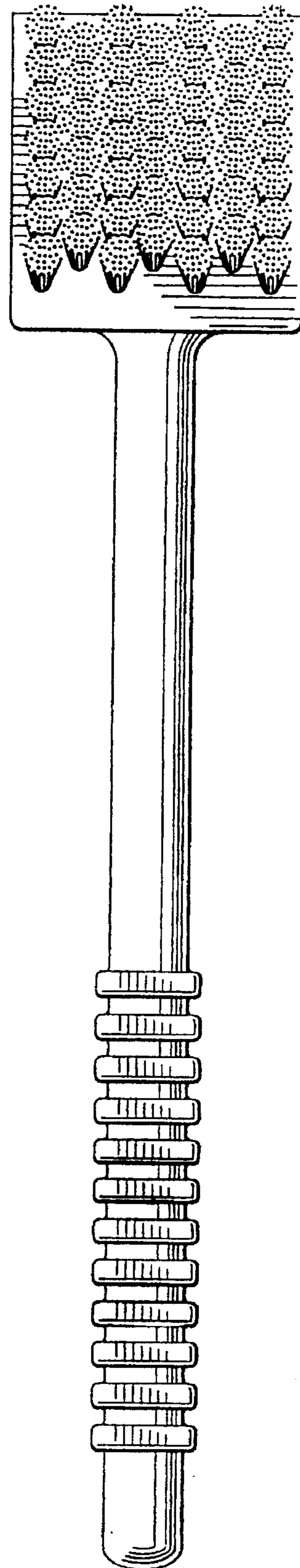


FIG. 3

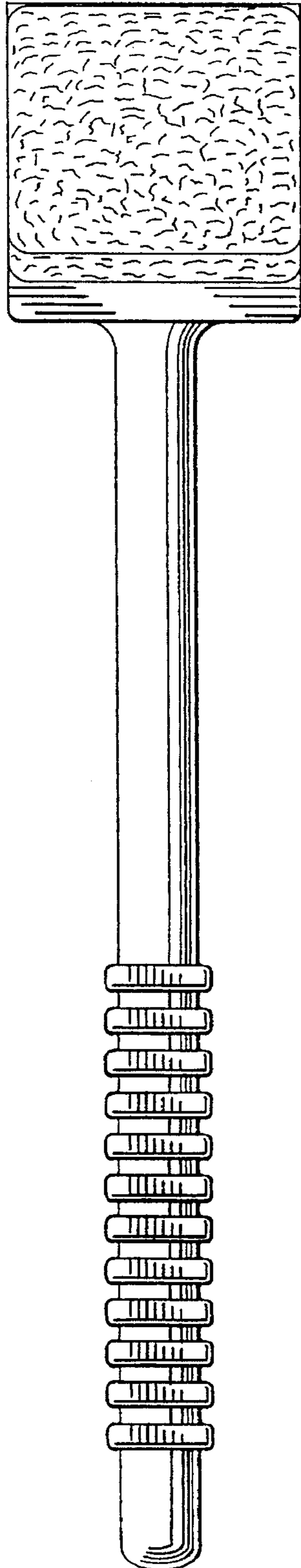


FIG. 4

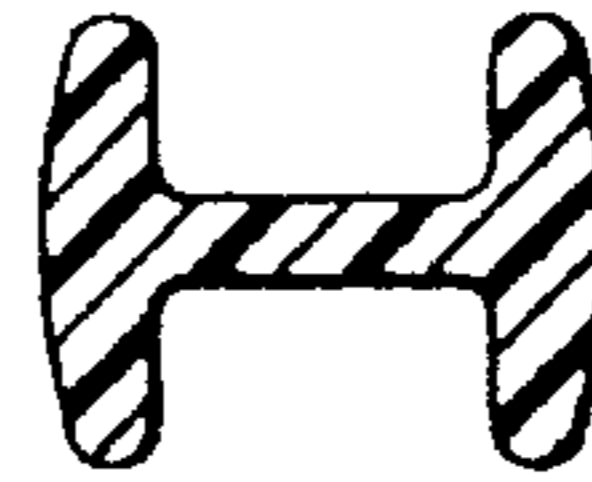


FIG. 5

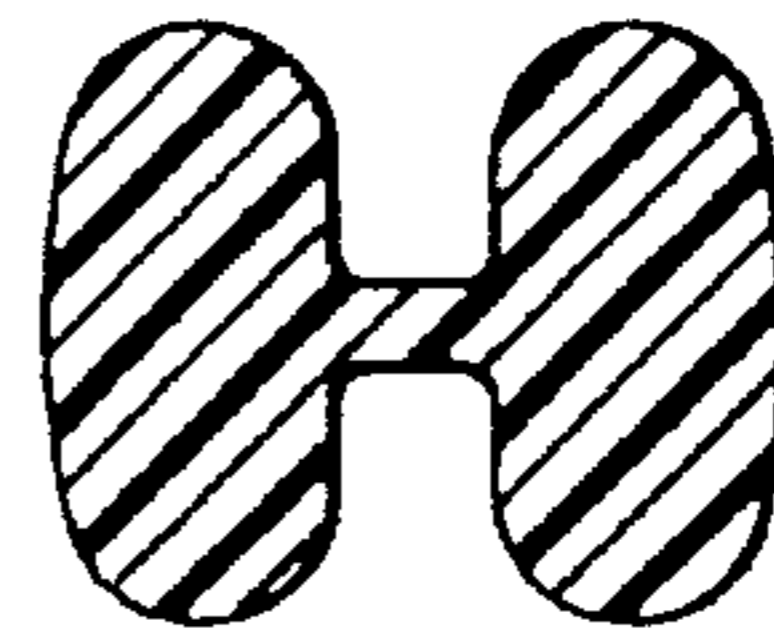


FIG. 6

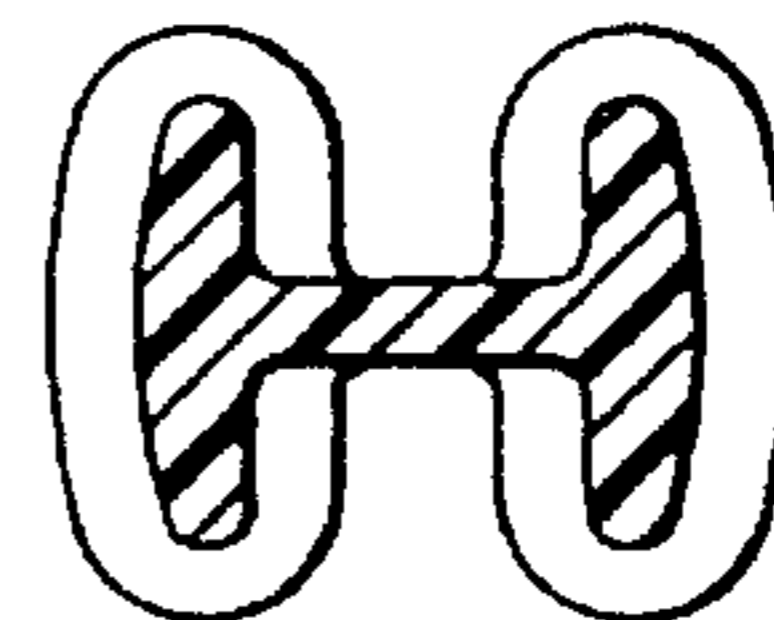


FIG. 7

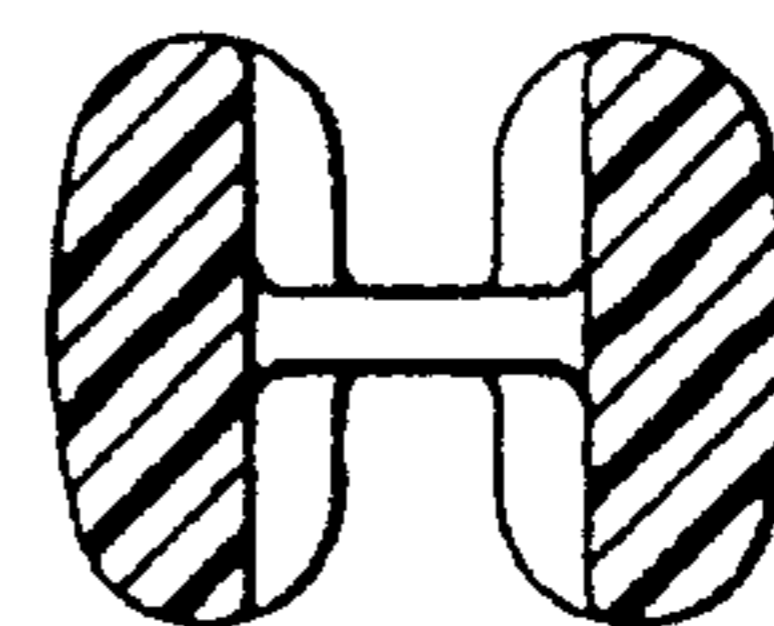


FIG. 8

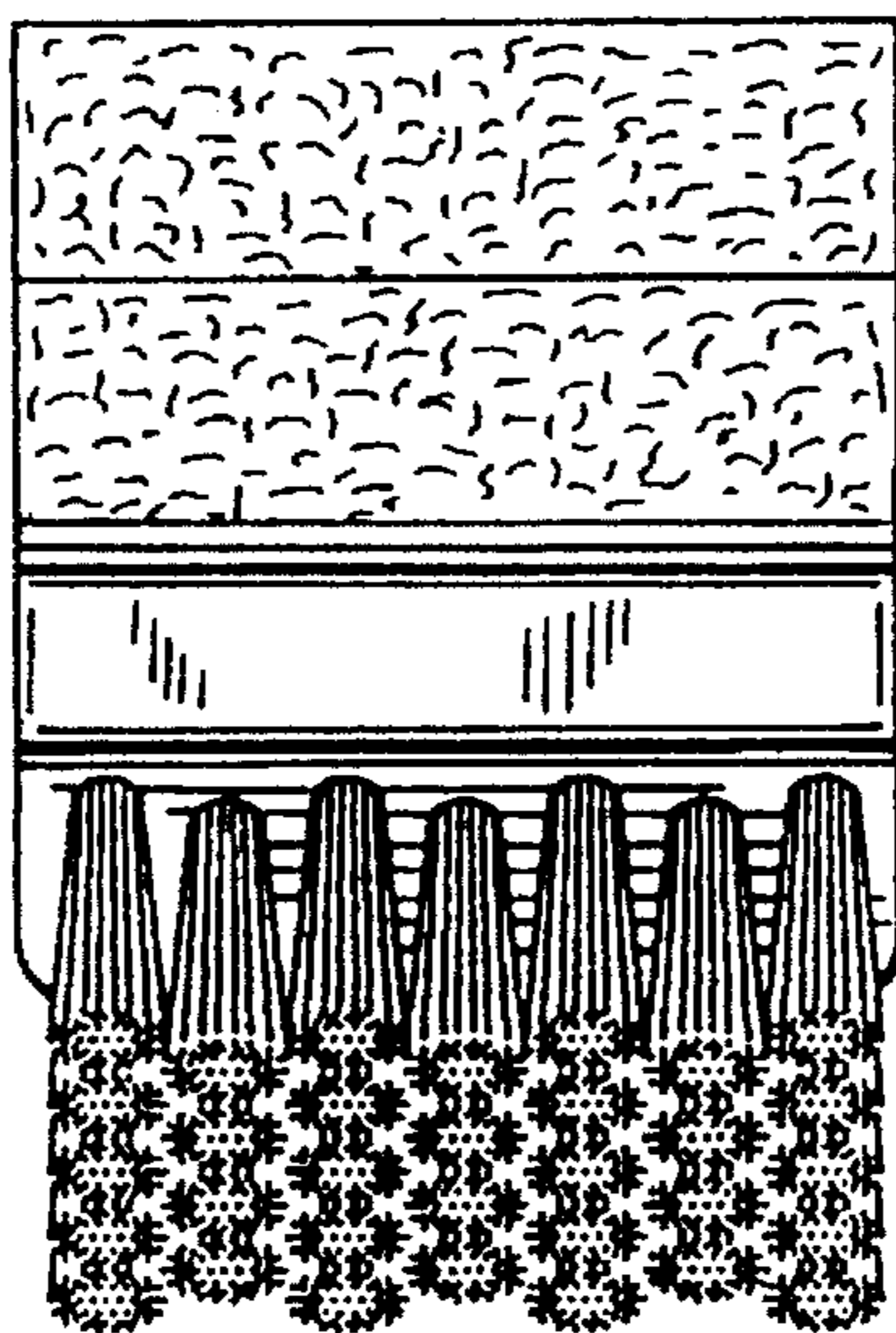


FIG. 9

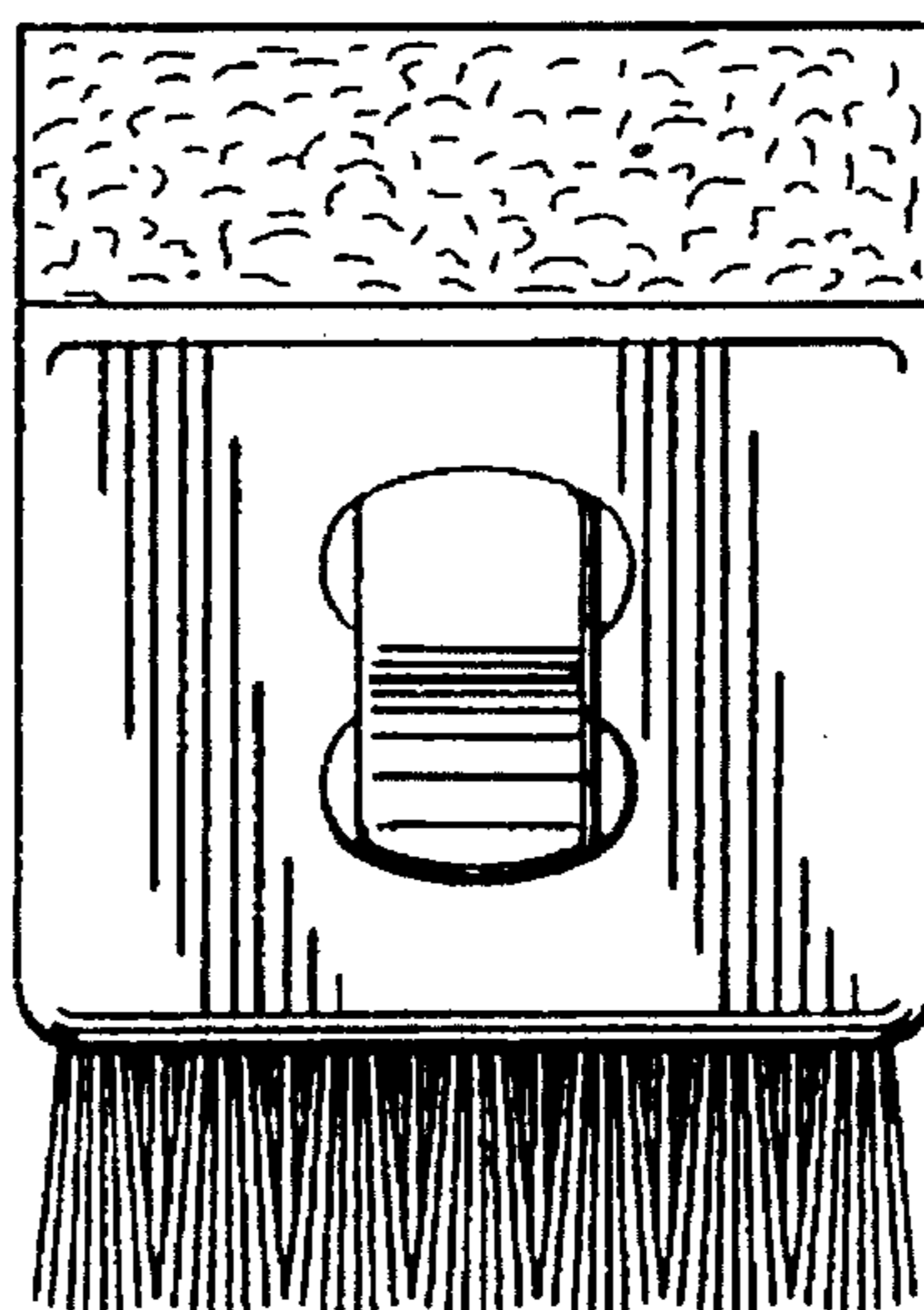


FIG. 10

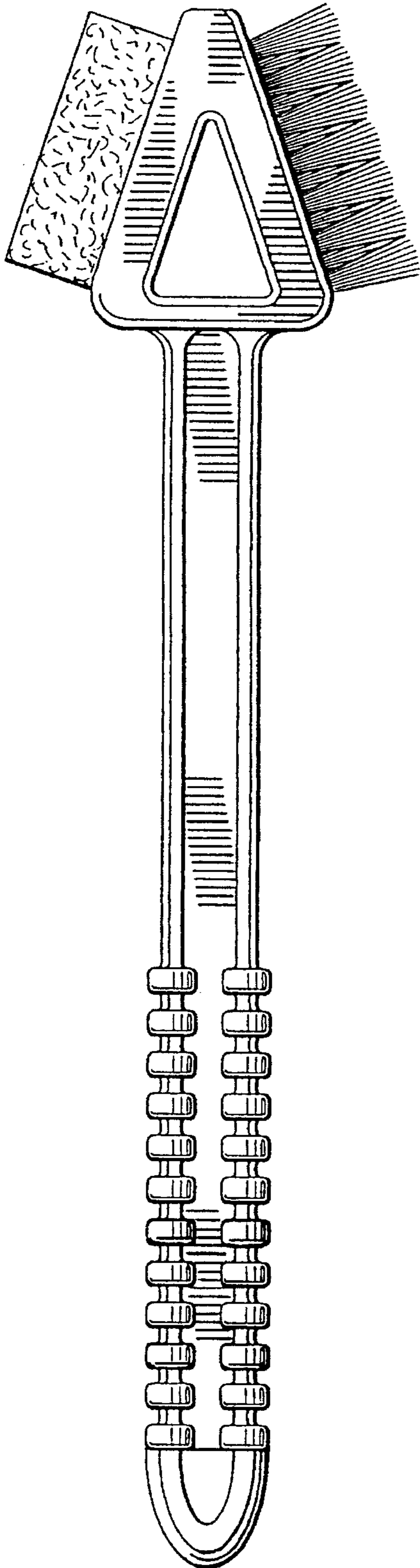


FIG. 11

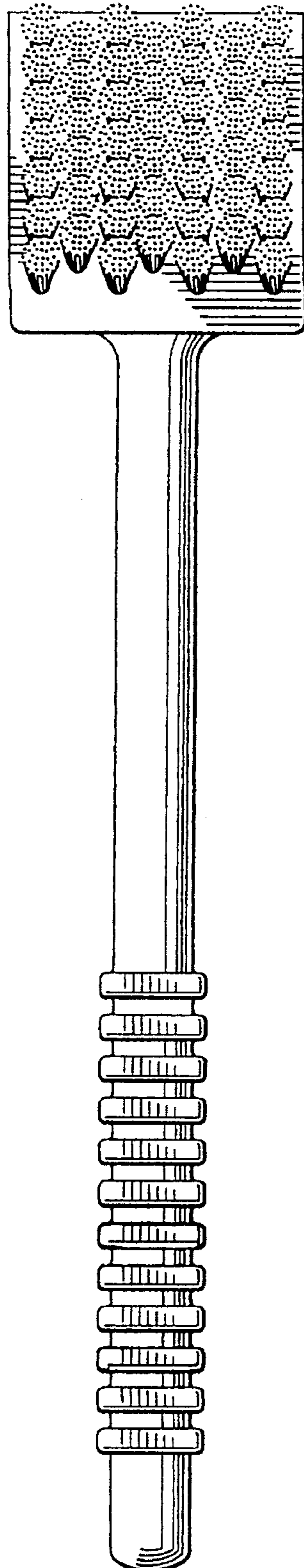


FIG.12

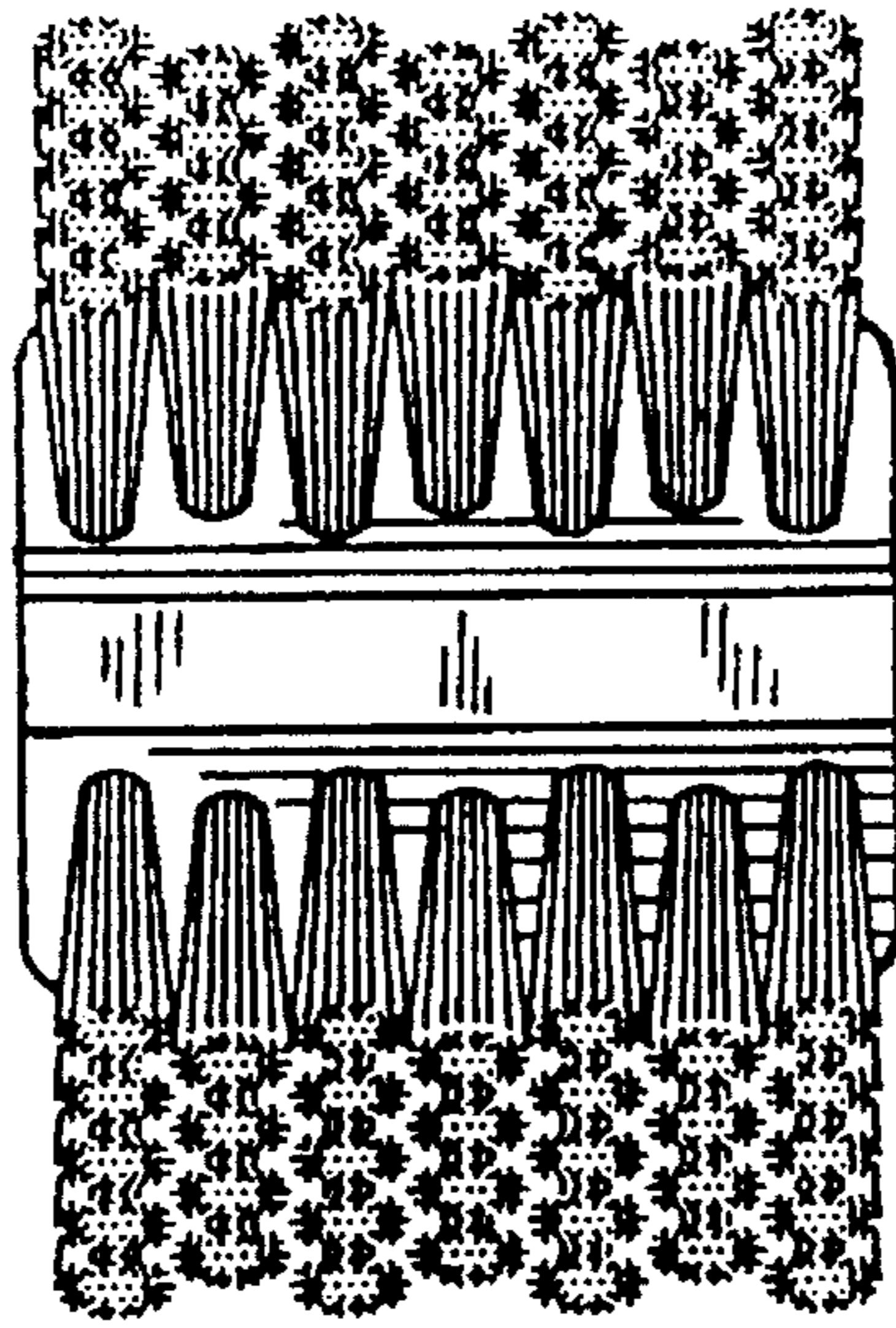


FIG.13

