



US00D374556S

# United States Patent [19]

[11] Patent Number: **Des. 374,556**

Nguyen

[45] Date of Patent: **\*\*Oct. 15, 1996**

[54] SELF-CLEANING HAIRBRUSH

4,807,324 2/1989 Owens ..... 15/160 X  
5,483,719 1/1996 Ikemoto et al. .... 15/160 X

[76] Inventor: **Tho Nguyen**, 19 Douglas St.,  
Worcester, Mass. 01603

*Primary Examiner*—A. Hugo Word

*Assistant Examiner*—Lavone D. Tabor

[\*\*] Term: **14 Years**

*Attorney, Agent, or Firm*—Harold H. Dutton, Jr.; Diane F. Liebman; W. Charles L. Jamison

[21] Appl. No.: **43,091**

[57] **CLAIM**

[22] Filed: **Aug. 25, 1995**

The ornamental design for a self-cleaning hairbrush, as shown.

[52] U.S. Cl. .... **D4/116; D4/136**

[58] Field of Search ..... D4/116, 121, 130,  
D4/132, 133, 134, 136, 138; 15/105, 142,  
143.1, 159.1, 186, 187, 188, 246; 132/119,  
120, 313

## DESCRIPTION

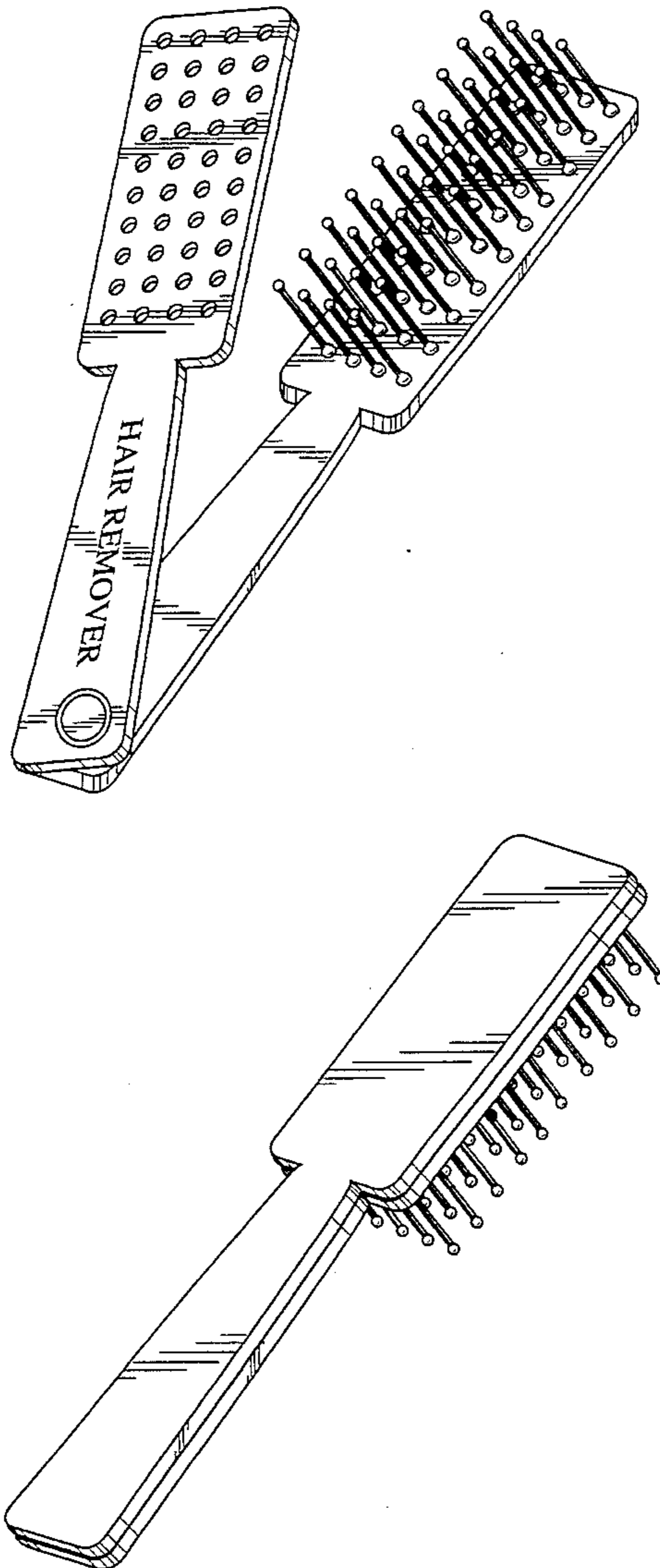
FIG. 1 is a front perspective view of a self-cleaning hairbrush in the open position showing my new design; FIG. 2 is a rear perspective view thereof in the closed position; FIG. 3 is a right side view thereof; FIG. 4 is a left side view thereof; FIG. 5 is an end view of one end thereof; and, FIG. 6 is an end view of the opposite end thereof.

## [56] References Cited

### U.S. PATENT DOCUMENTS

D. 334,475	4/1993	Quondamatteo	.....	D4/116
1,303,500	5/1919	Rosenberg	.....	15/246
2,708,765	5/1955	Vann	.....	15/246
4,152,806	5/1979	Raaf et al.	.....	15/169
4,517,703	5/1985	Koke	.....	15/246

**1 Claim, 4 Drawing Sheets**



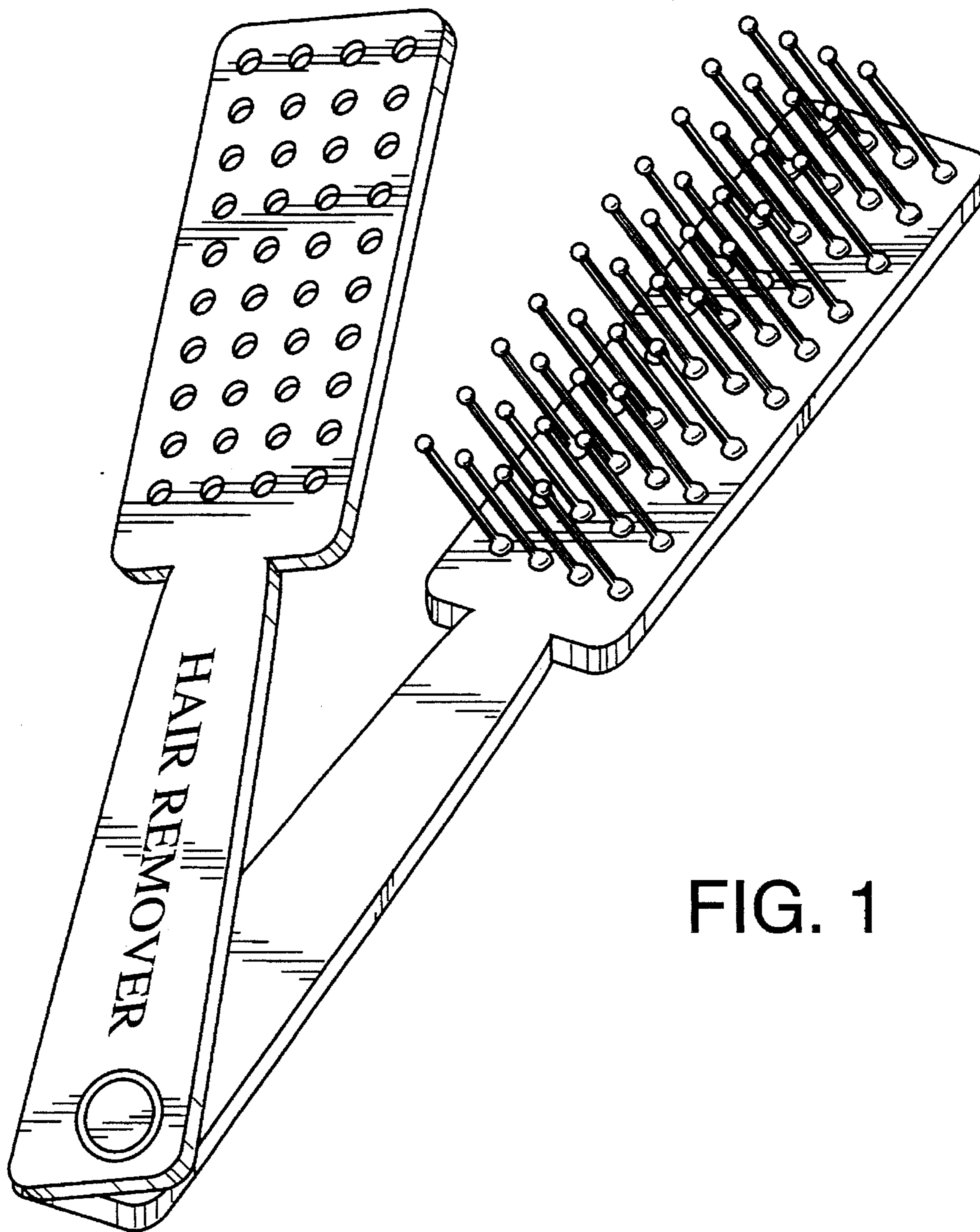


FIG. 1

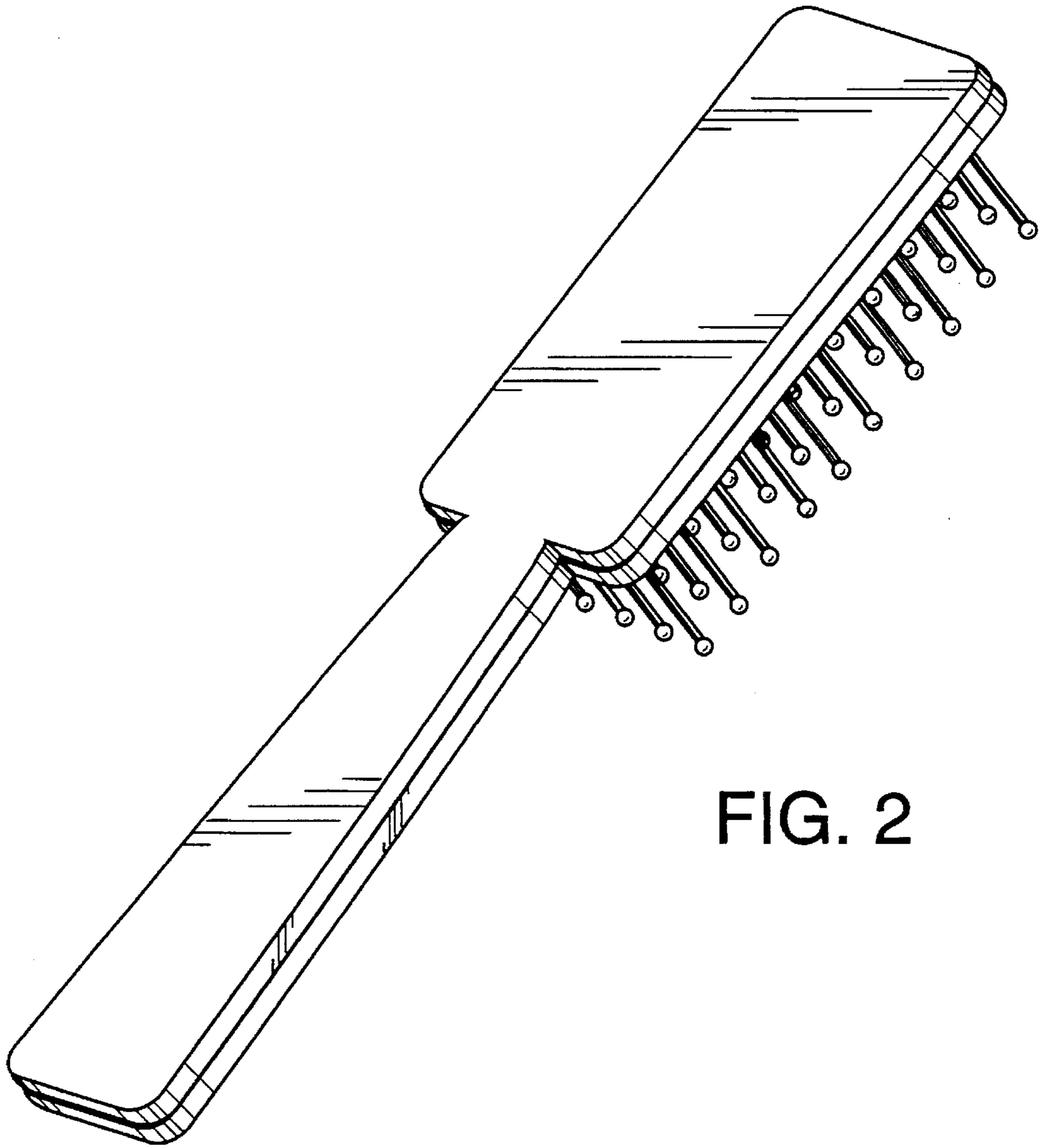


FIG. 2

FIG. 3

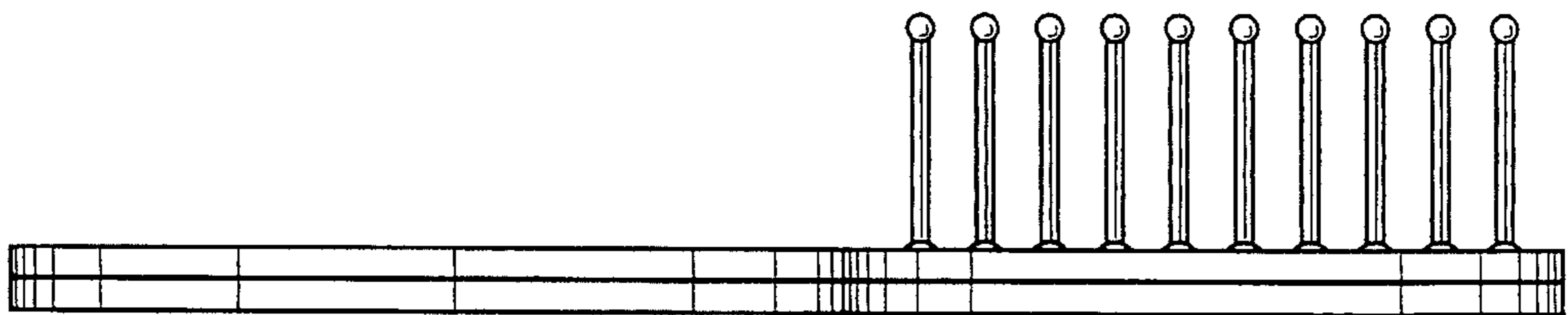
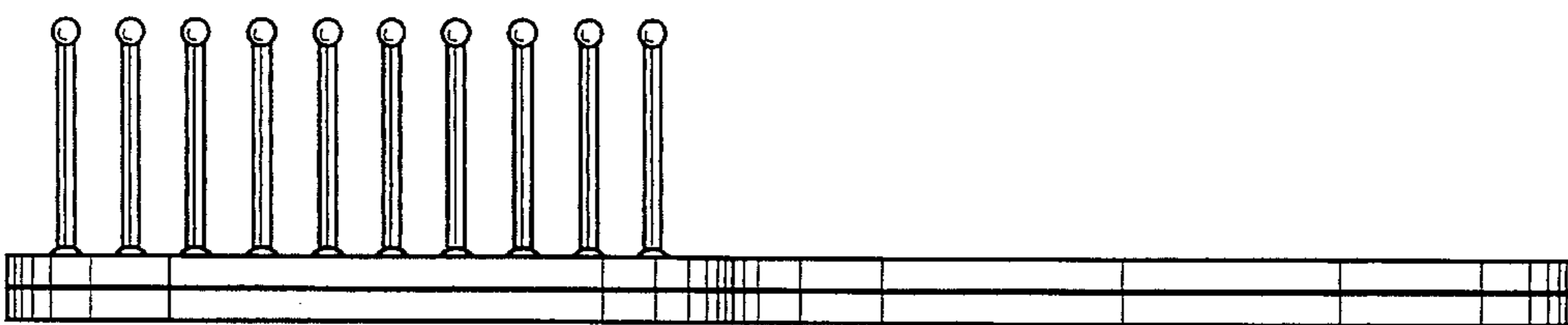


FIG. 4



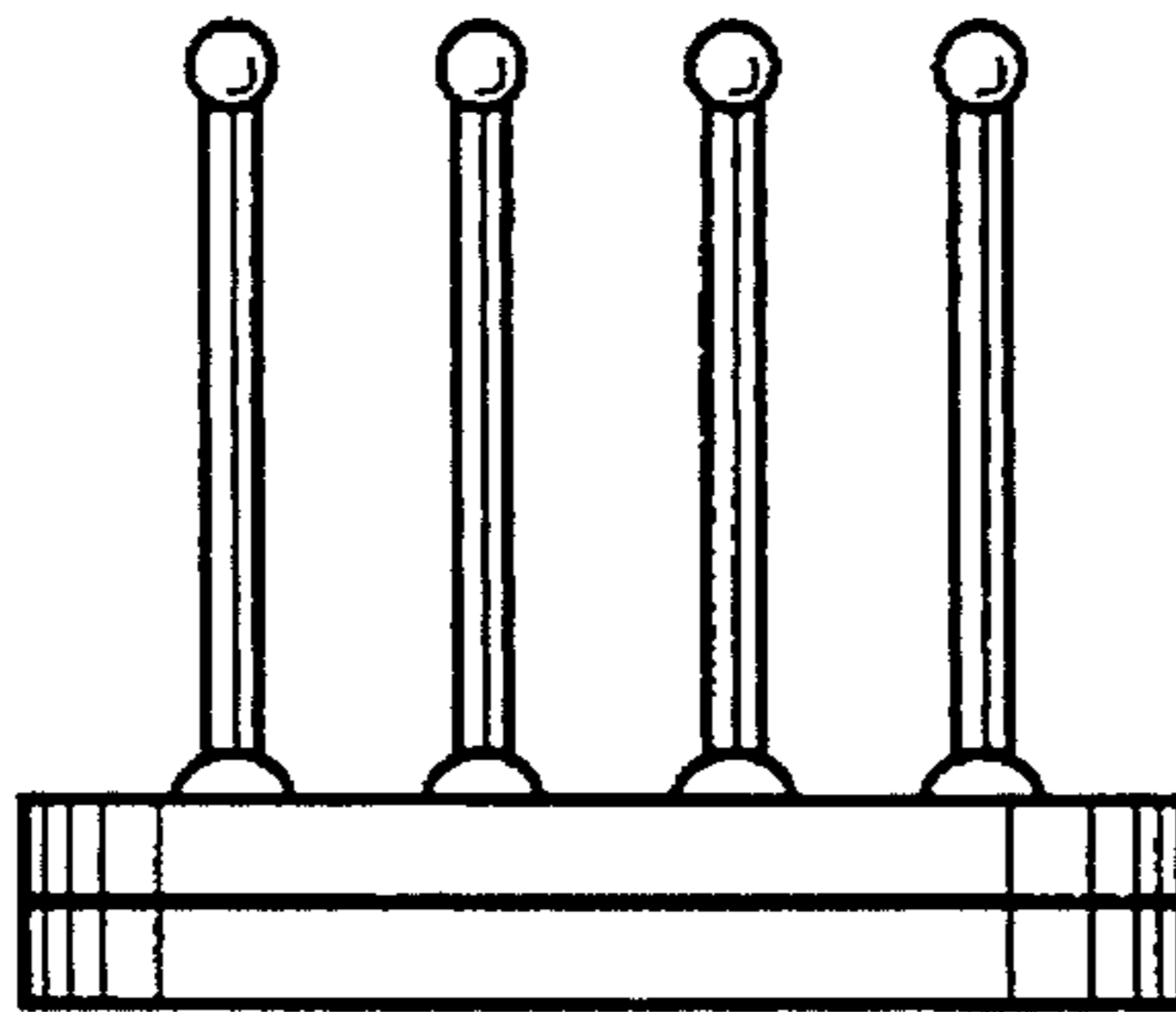


FIG. 5

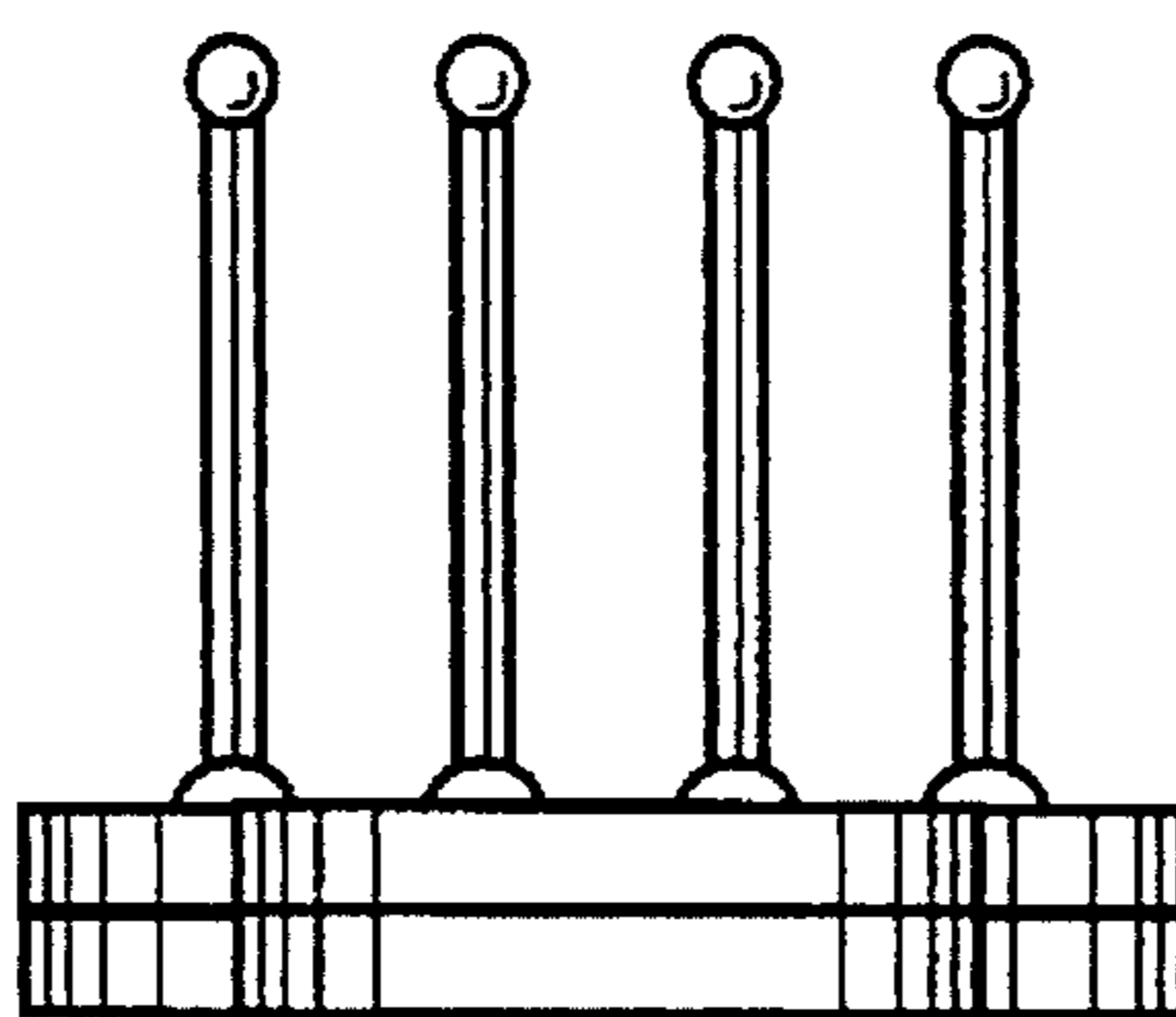


FIG. 6