



US00D374554S

United States Patent [19]
Niernberger

[11] **Patent Number: Des. 374,554**

[45] **Date of Patent: **Oct. 15, 1996**

[54] **COMBINATION WALLET AND BILLFOLD**

[76] **Inventor: Harold A. Niernberger**, 90 Madison St. No. 403, Denver, Colo. 80206

[**] **Term: 14 Years**

[21] **Appl. No.: 47,555**

[22] **Filed: Dec. 7, 1995**

[52] **U.S. Cl. D3/249; D3/250**

[58] **Field of Search D3/201, 206, 208, D3/212, 226, 247, 249, 250, 251, 343, 395; 150/105, 106, 110, 112, 117, 132, 134, 137, 138, 139, 143, 147, 149; 206/37.1, 37.8, 38.1; 383/4**

[56] **References Cited**

U.S. PATENT DOCUMENTS

D. 288,263	2/1987	Pagano	D3/249
D. 348,776	7/1994	Anderson	D3/226
1,855,953	5/1932	Mensman	D3/212 X
4,332,338	6/1982	Christiansen	150/143 X
4,705,086	11/1987	O'Neill	150/137 X
4,796,750	1/1989	Inghram	150/147 X

FOREIGN PATENT DOCUMENTS

2636509	3/1990	France	150/149
114898	4/1918	United Kingdom	150/134

Primary Examiner—Louis S. Zarfes
Assistant Examiner—Monica A. Hannon
Attorney, Agent, or Firm—Welsh, Katz, Ltd.

[57] **CLAIM**

The ornamental design for a combination wallet and billfold, as shown and described.

DESCRIPTION

FIG. 1 is a perspective view of a combination wallet and billfold of the claimed design, shown with a retaining strap fastened;

FIG. 2 is a top plan view of the combination wallet and billfold of FIG. 1 of the claimed design;

FIG. 3 is an end elevational view of the combination wallet and billfold of FIG. 1 of the claimed design;

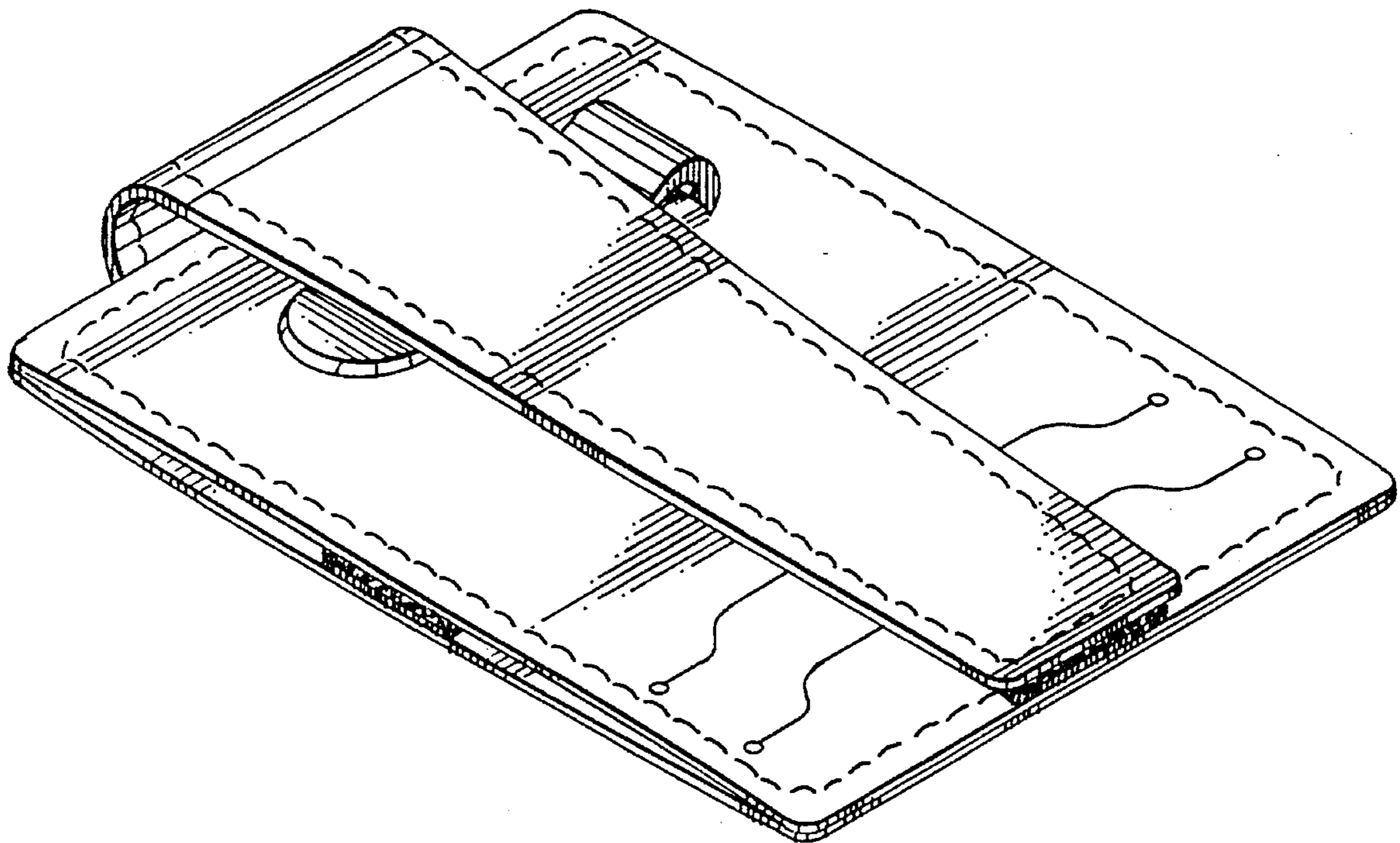
FIG. 4 is a side elevational view of the combination wallet and billfold of FIG. 1 of the claimed design;

FIG. 5 is a side elevational view of the combination wallet and billfold of FIG. 1, shown from the opposite side as shown in FIG. 4;

FIG. 6 is a bottom plan view of the combination wallet and billfold of FIG. 1 of the claimed design; and,

FIG. 7 is an end elevational view of the combination wallet and billfold of FIG. 1, shown from the opposite end as shown in FIG. 3.

1 Claim, 1 Drawing Sheet



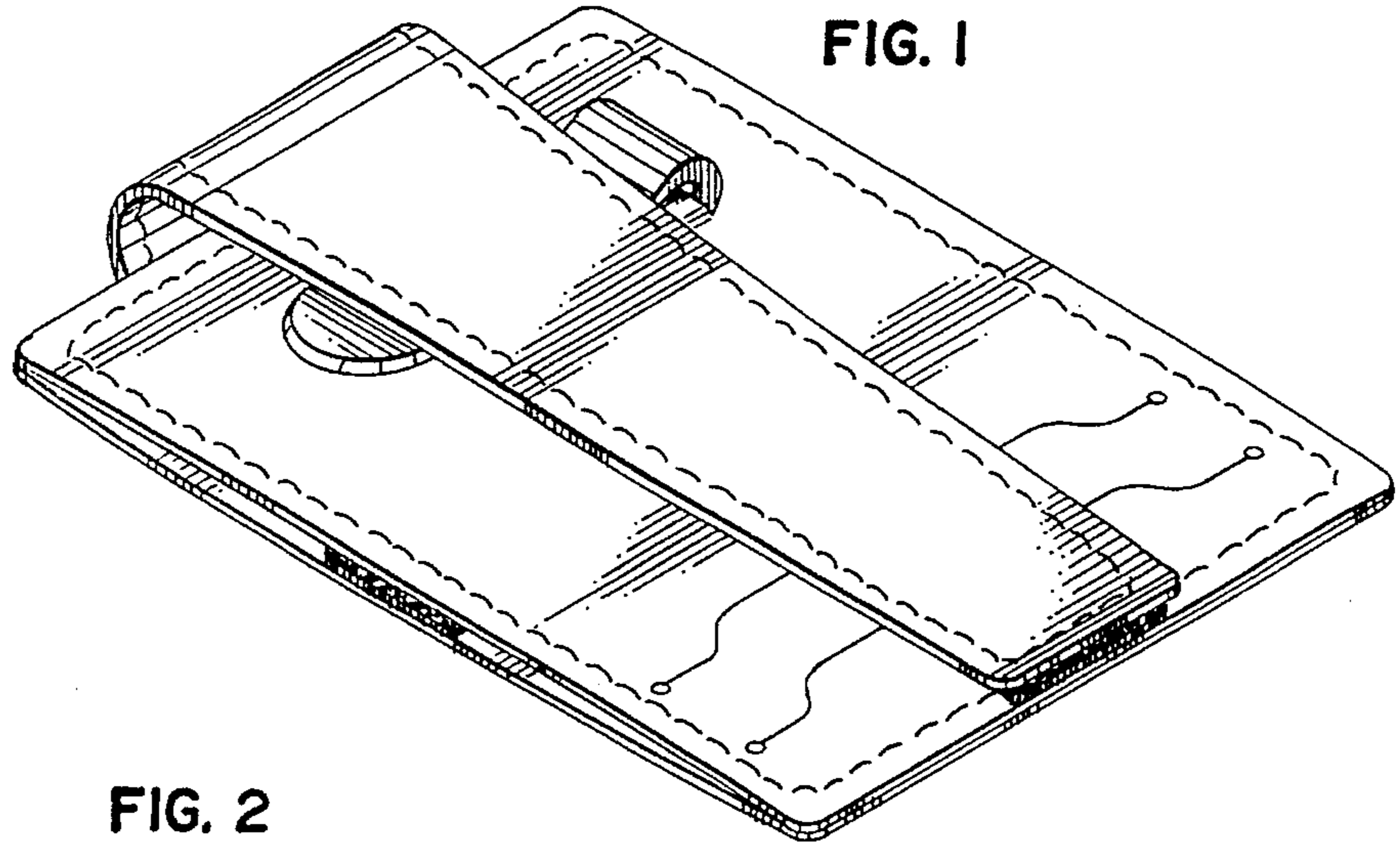


FIG. 1

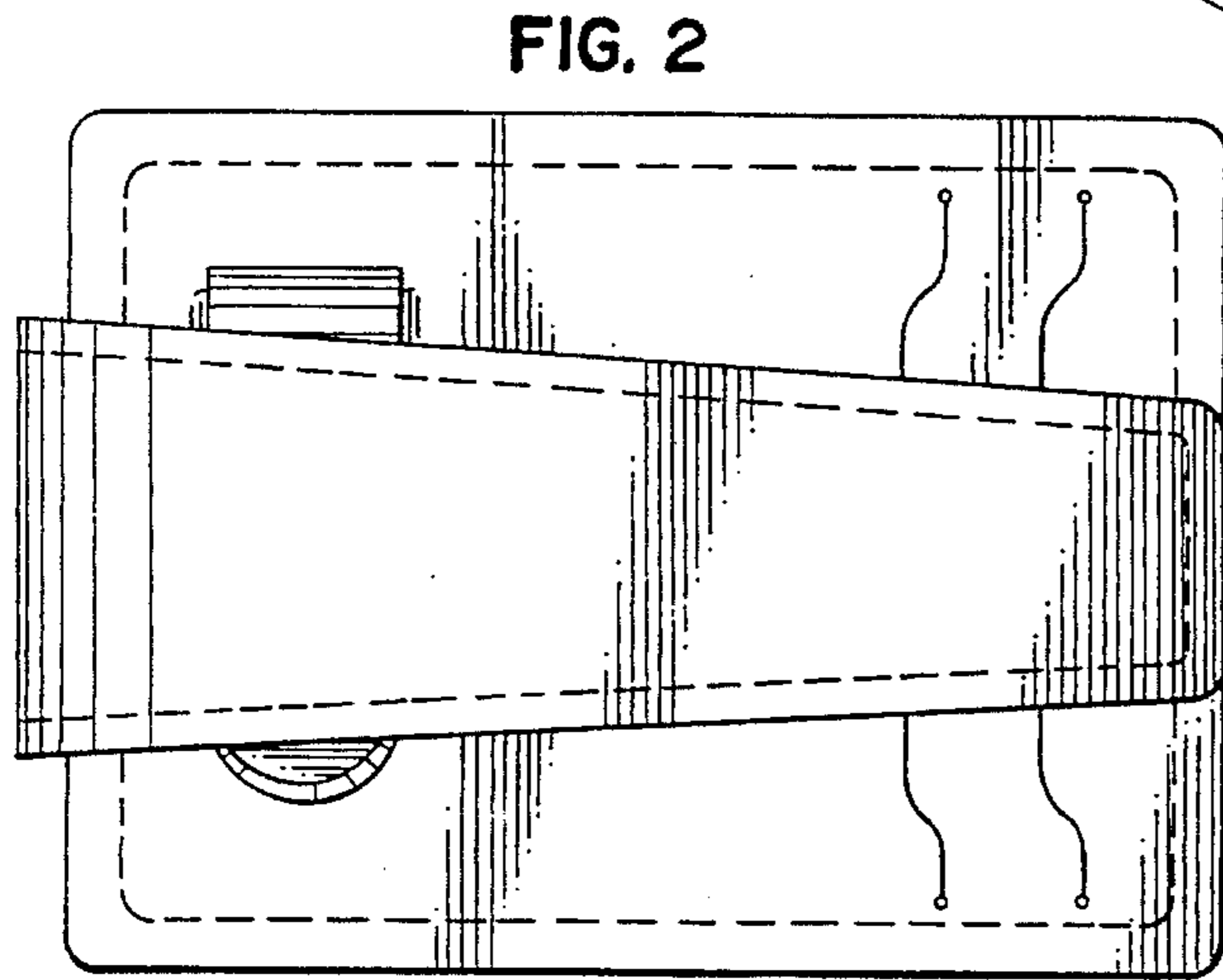


FIG. 2

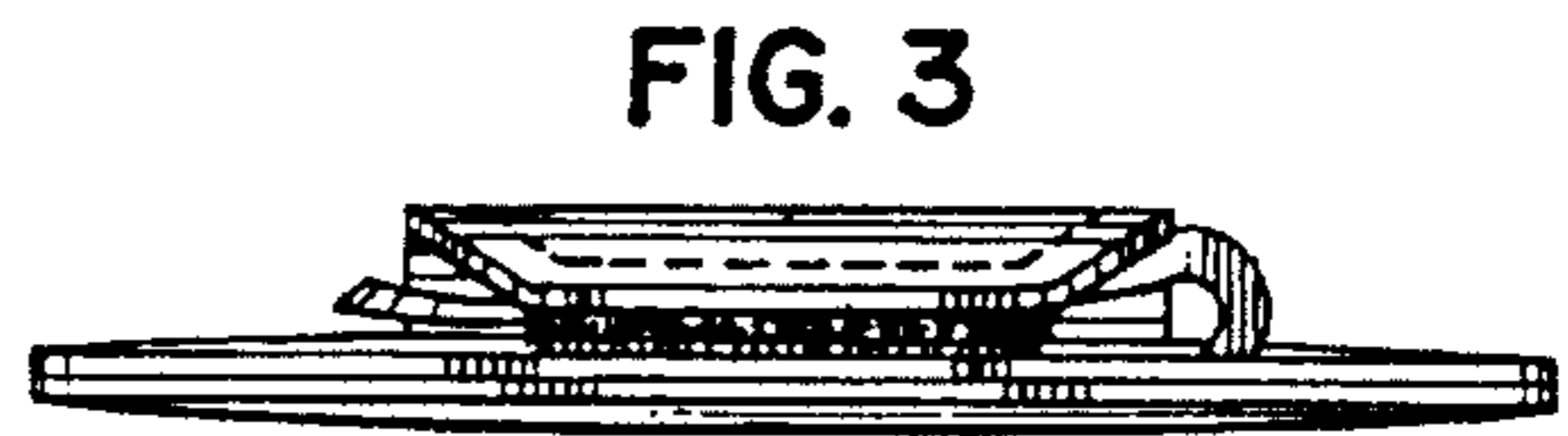


FIG. 3



FIG. 4

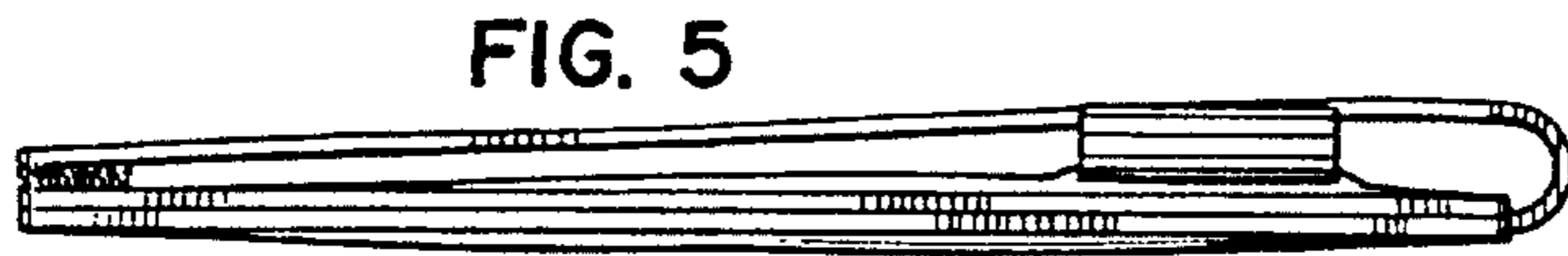


FIG. 5

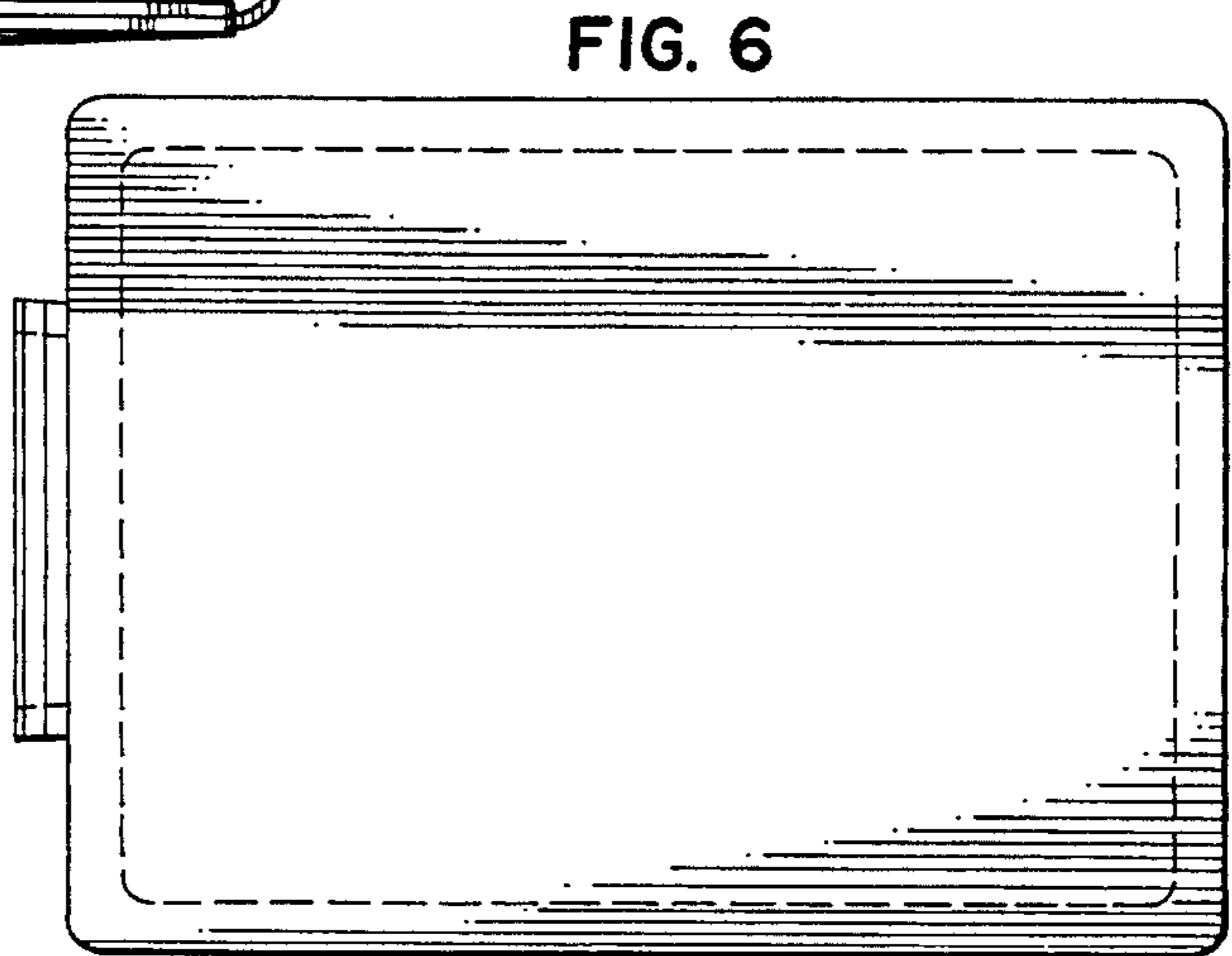


FIG. 6

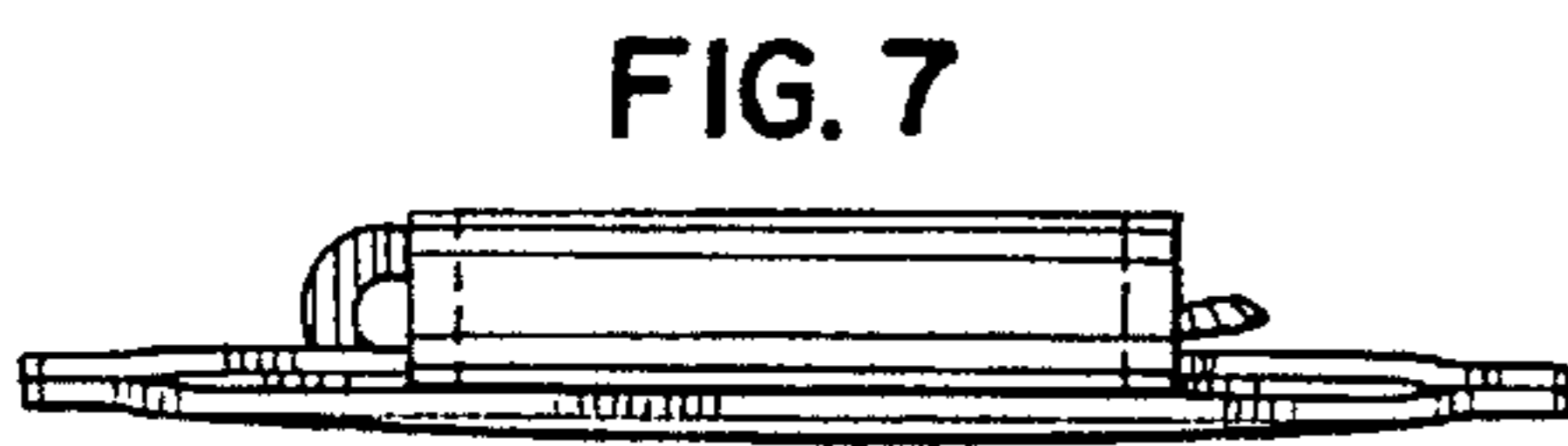


FIG. 7