



US00D374552S

United States Patent [19]

[11] **Patent Number: Des. 374,552**

Avar

[45] **Date of Patent: **Oct. 15, 1996**

[54] **ELEMENT OF A SHOE UPPER**

OTHER PUBLICATIONS

[75] Inventor: **Eric P. Avar**, Aloha, Oreg.

Nike Catalog Sping 1992; p. 120, Tiempo Pro M (left center).

[73] Assignee: **Nike, Inc.**, Beaverton, Oreg.

U.S. Trademark Reg. No. 890,009, Apr. 28, 1970.

U.S. Trademark Reg. No. 1,256,945, Nov. 8, 1983.

[**] Term: **14 Years**

Primary Examiner—Dominic Simone

Attorney, Agent, or Firm—Banner & Allegretti, Ltd.

[21] Appl. No.: **45,655**

[57] **CLAIM**

[22] Filed: **Oct. 25, 1995**

The ornamental design for an element of a shoe upper, as shown and described.

[52] **U.S. Cl.** **D2/972**

[58] **Field of Search** D2/902, 969, 972;
36/3 A, 45, 50.1, 57, 83, 103, 114, 129

DESCRIPTION

[56] **References Cited**

FIG. 1 is a lateral side elevational view of an element of a shoe upper showing my new design;

FIG. 2 is a cross-sectional view taken along line 2—2 of FIG. 1;

FIG. 3 is a cross-sectional view taken along line 3—3 of FIG. 1;

FIG. 4 is a cross-sectional view taken along line 4—4 of FIG. 1;

FIG. 5 is a lateral side elevational view of a second embodiment of FIG. 1;

FIG. 6 is a cross-sectional view taken along line 6—6 of FIG. 5; and,

FIG. 7 is a cross-sectional view taken along line 7—7 of FIG. 5.

The broken line showing of the outline of the shoe upper and sole is for illustrative purposes and forms no part of the claimed design.

U.S. PATENT DOCUMENTS

D. 220,464	4/1971	Hayashi	D2/902
D. 236,560	9/1975	Sencer .	
D. 311,091	10/1990	McKinstry .	
D. 316,927	5/1991	Quan et al. .	
D. 318,562	7/1991	Jimenez .	
D. 323,737	2/1992	Smith .	
D. 332,343	1/1993	Earle et al.	D2/969
D. 333,379	2/1993	Tonkel et al.	D2/969
D. 334,090	3/1993	Teaque	D2/970
D. 335,017	4/1993	Smith	D2/970
D. 336,973	7/1993	Fritcher .	
D. 343,722	2/1994	Lucas	D2/969
D. 344,397	2/1994	Zelenko	D2/972
D. 349,187	8/1994	Close et al.	D2/972
D. 365,199	12/1995	Avar	D2/969
D. 365,200	12/1995	Teaque	D2/969
5,367,792	11/1994	Richard et al.	36/114

1 Claim, 5 Drawing Sheets

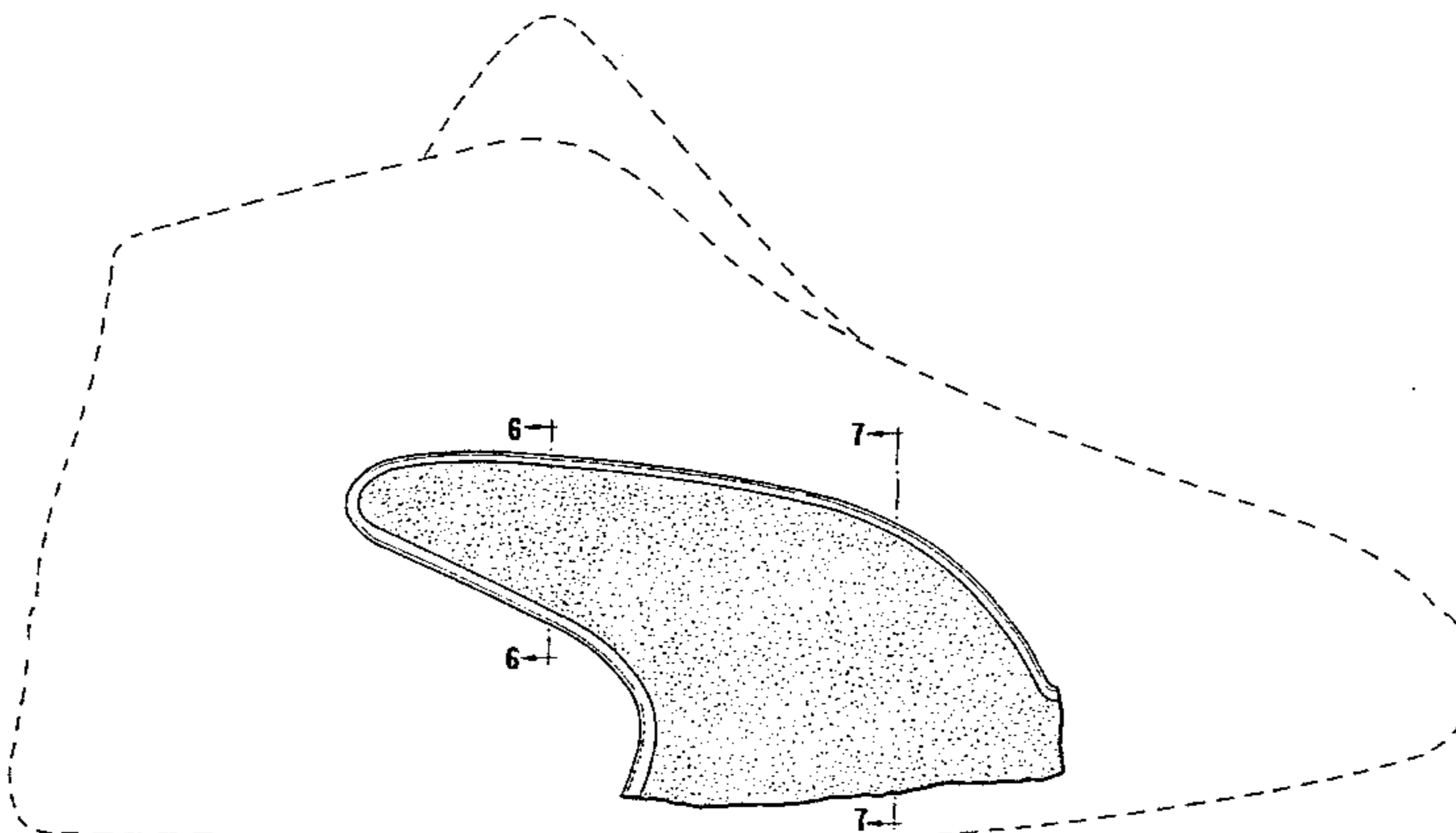
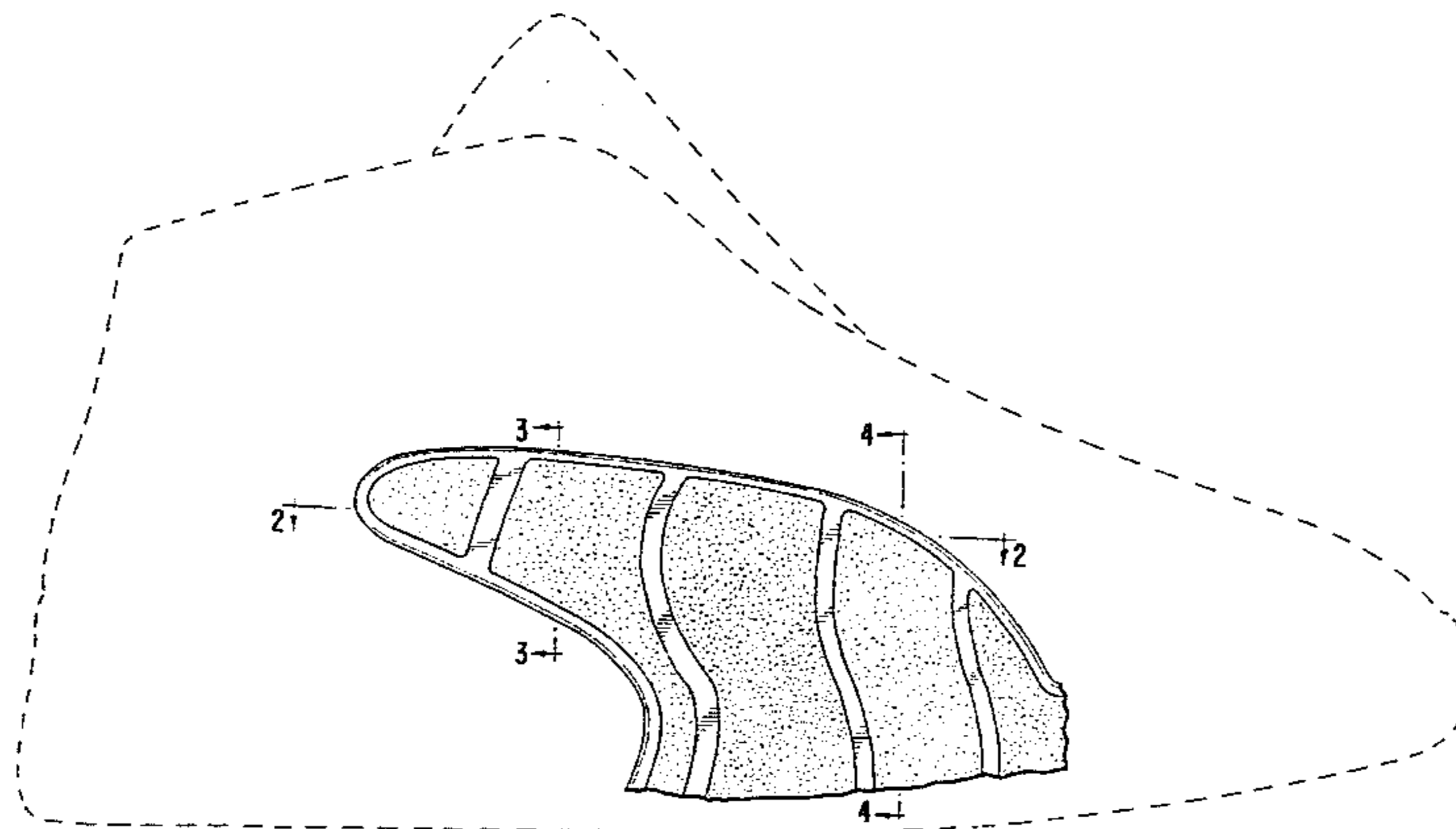


FIG. 1

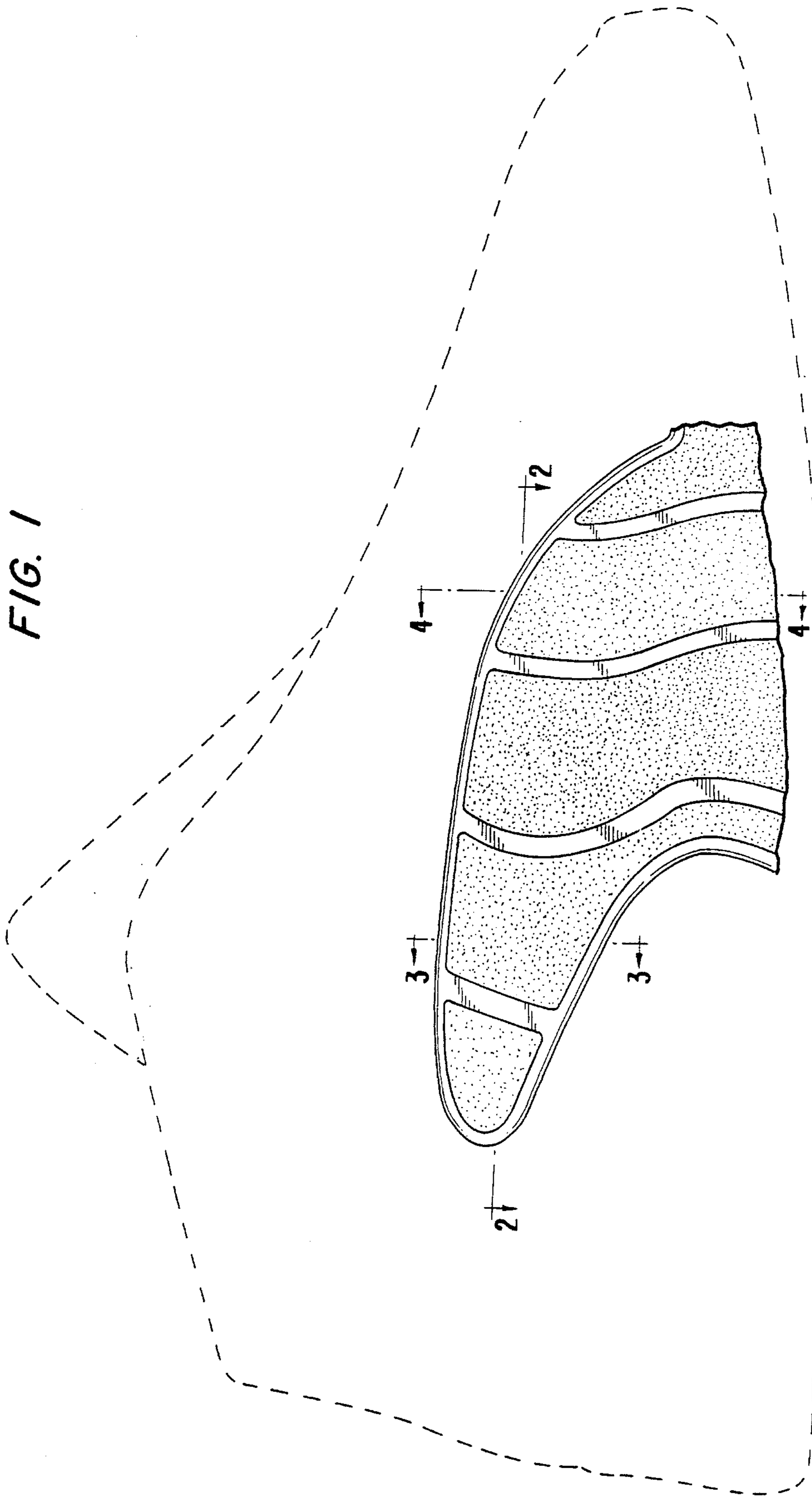


FIG. 2

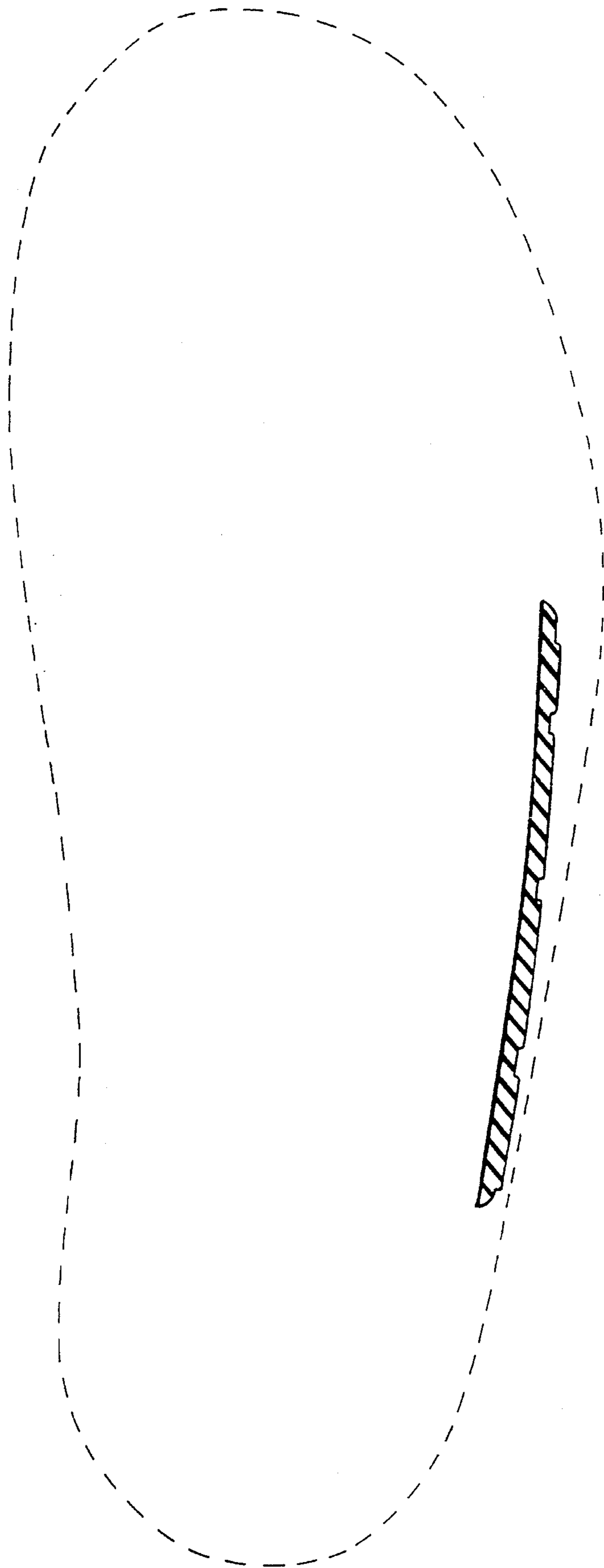


FIG. 4

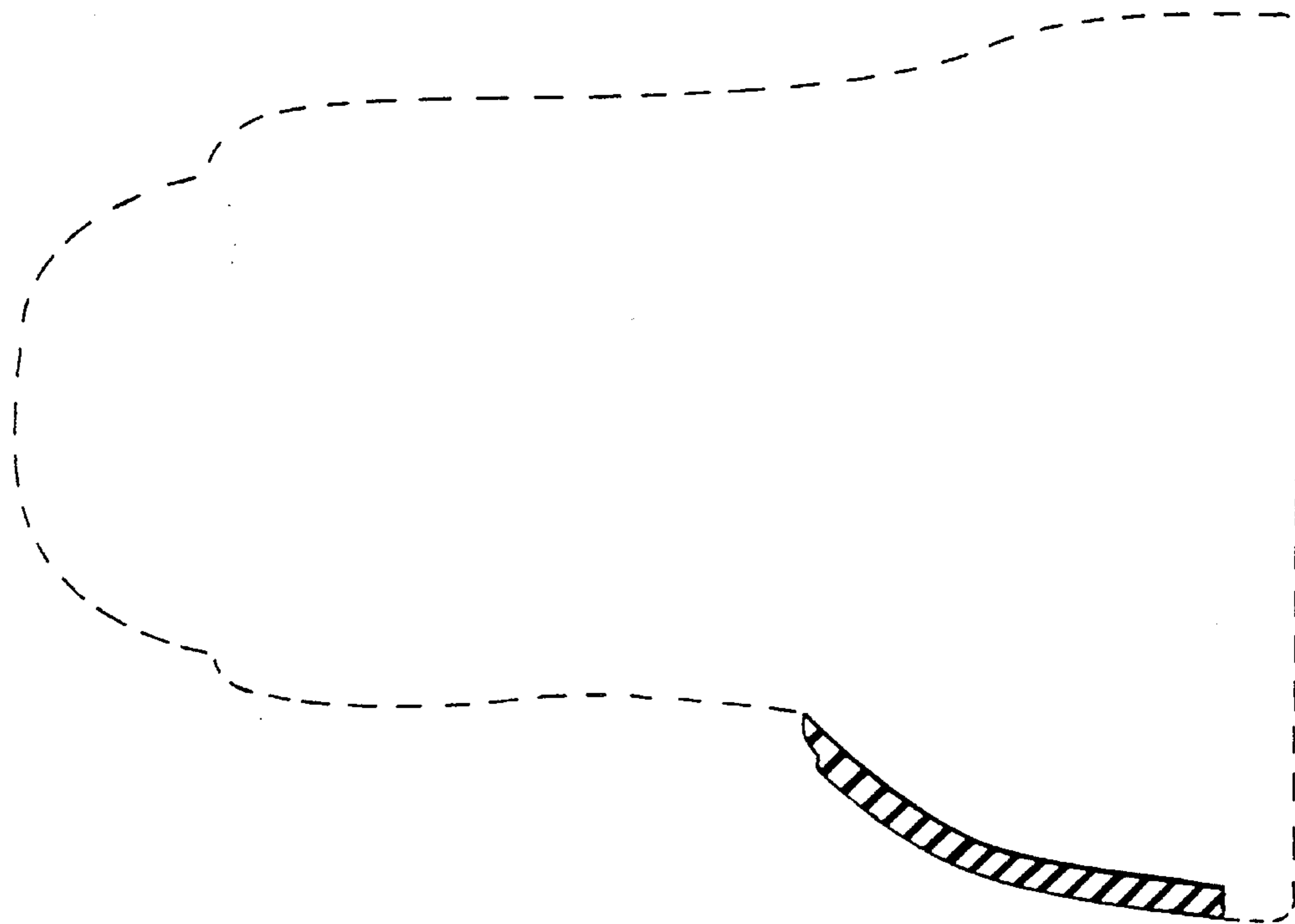
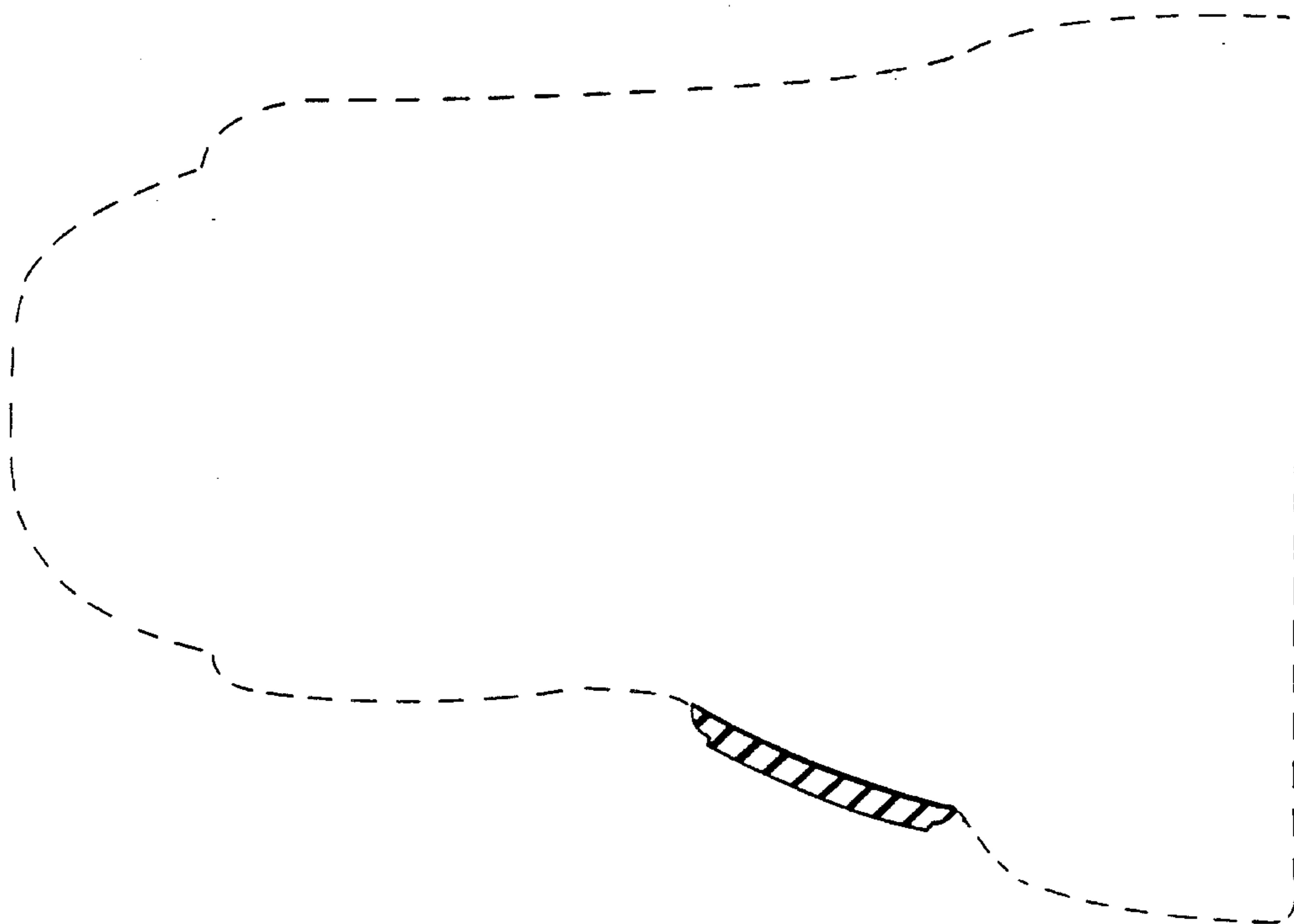


FIG. 3



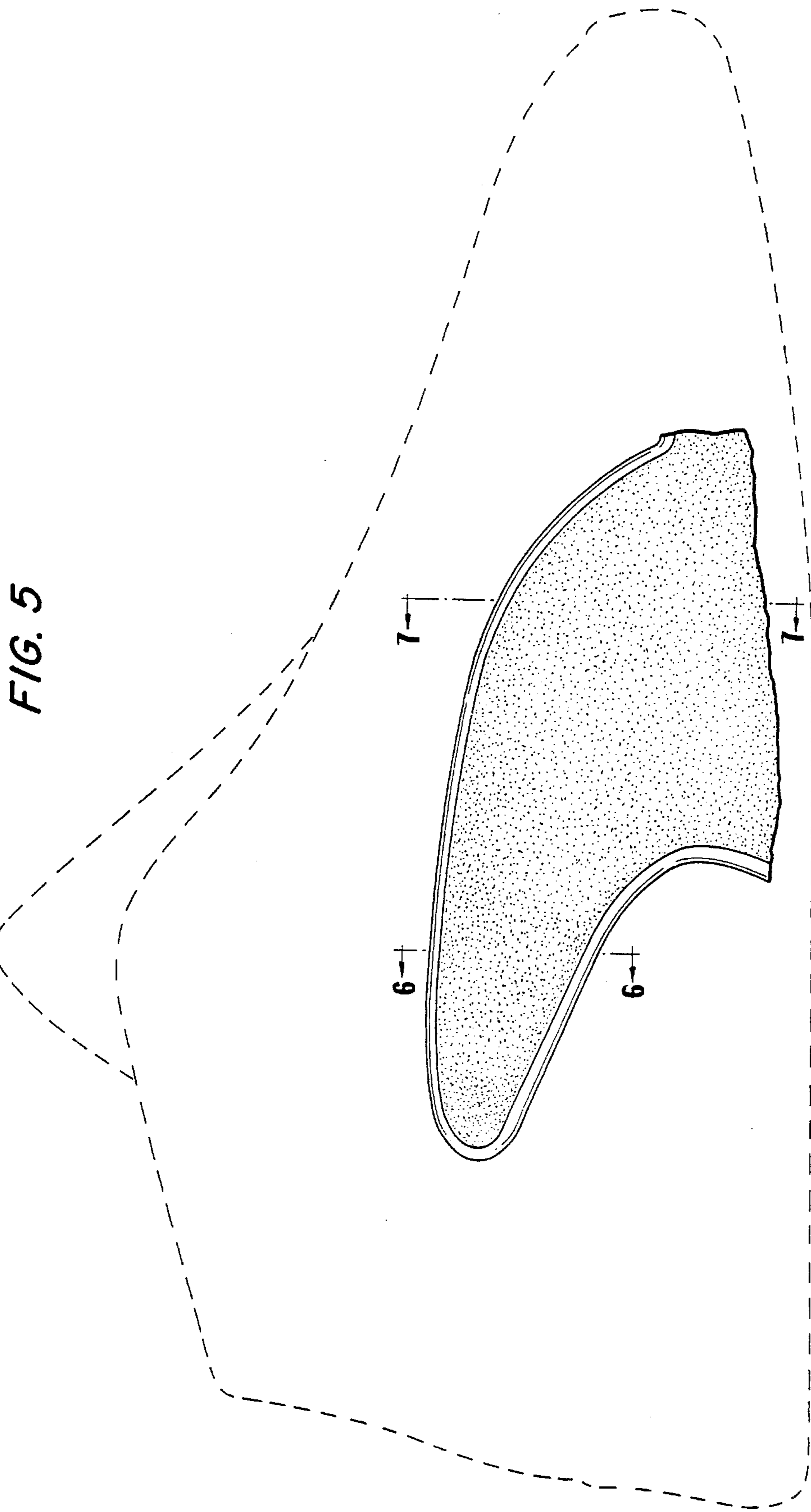


FIG. 7

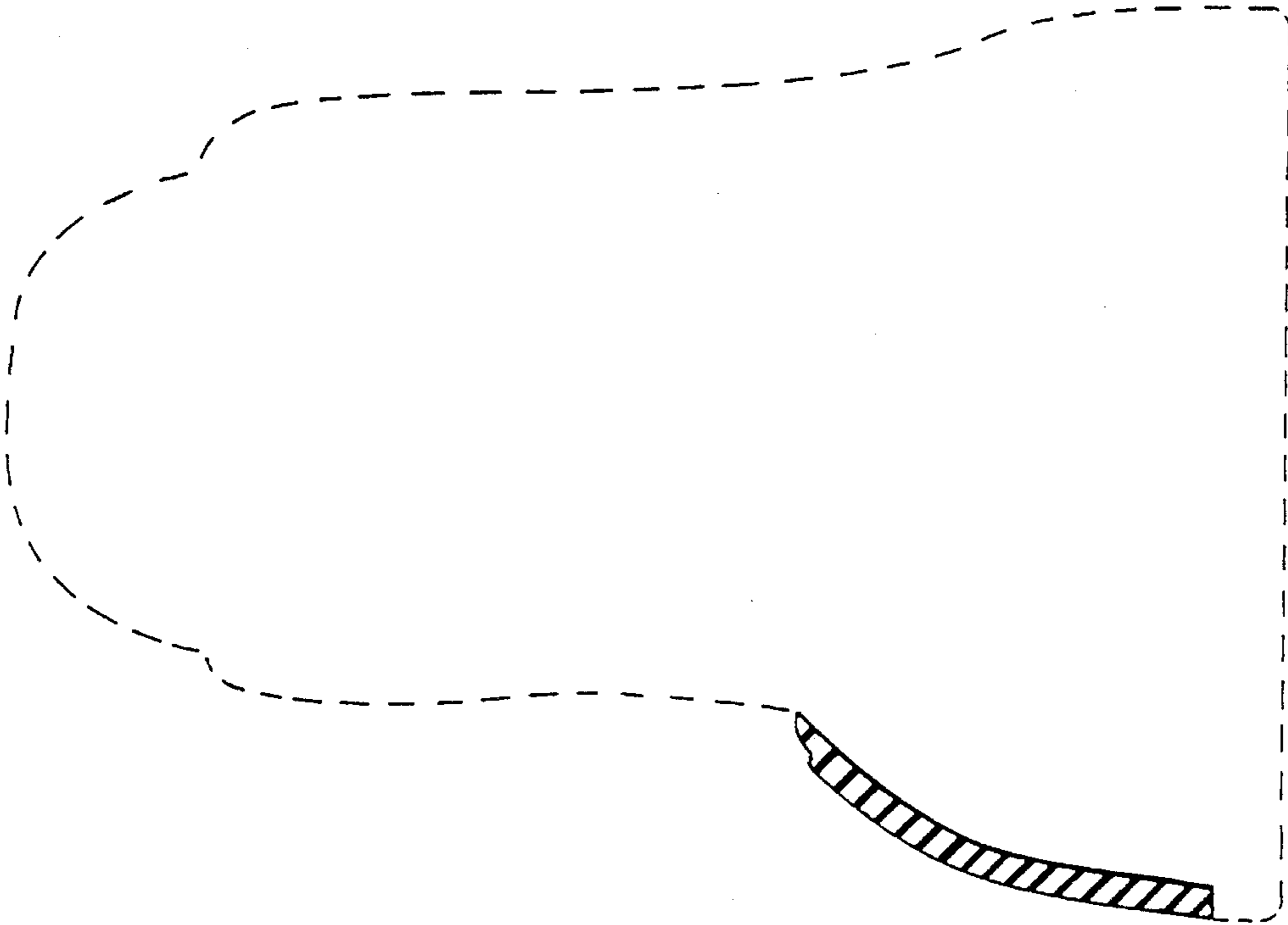


FIG. 6

