



US00D374550S

United States Patent [19] Huang

[11] Patent Number: **Des. 374,550**

[45] Date of Patent: ****Oct. 15, 1996**

[54] MASSAGING SHOE

4,694,831 9/1987 Seltzer 36/141
4,802,463 2/1989 Rojas 36/141

[76] Inventor: **Chien-ming Huang**, 11 F-1, No. 23,
Sec. 2, Keelung Rd., Taipei, Taiwan

FOREIGN PATENT DOCUMENTS

[**] Term: **14 Years**

244928 3/1992 Austria 36/7.1 R

[21] Appl. No.: **43,360**

Primary Examiner—Doris V. Coles

[22] Filed: **Aug. 25, 1995**

Attorney, Agent, or Firm—Morton J. Rosenberg; David I. Klein

[52] U.S. Cl. **D2/919**

[57] CLAIM

[58] Field of Search D2/919, 916, 910;
D24/213; 36/7.1, 141, 11.5, 137, 15, 101,
1, 136; 601/30, 70, 56, 66, 78

The ornamental design for a massaging shoe, as shown.

DESCRIPTION

[56] References Cited

FIG. 1 is a perspective view of a massaging shoe showing my new design;

U.S. PATENT DOCUMENTS

175,252 3/1876 Milwain 36/7.1 R
D. 351,659 10/1994 Gingerich D24/213
958,617 5/1910 Frankenhoff 36/7.1 R
1,608,188 11/1926 Skoler 36/7.1 R
1,776,983 9/1930 Rotherham 36/7.1 R
2,478,411 8/1949 Martin 36/1
2,563,092 8/1951 Zacks D2/919 X
3,859,727 1/1975 Nakamoto 36/141 X

FIG. 2 is a front end elevational view thereof;

FIG. 3 is a rear end elevational view thereof;

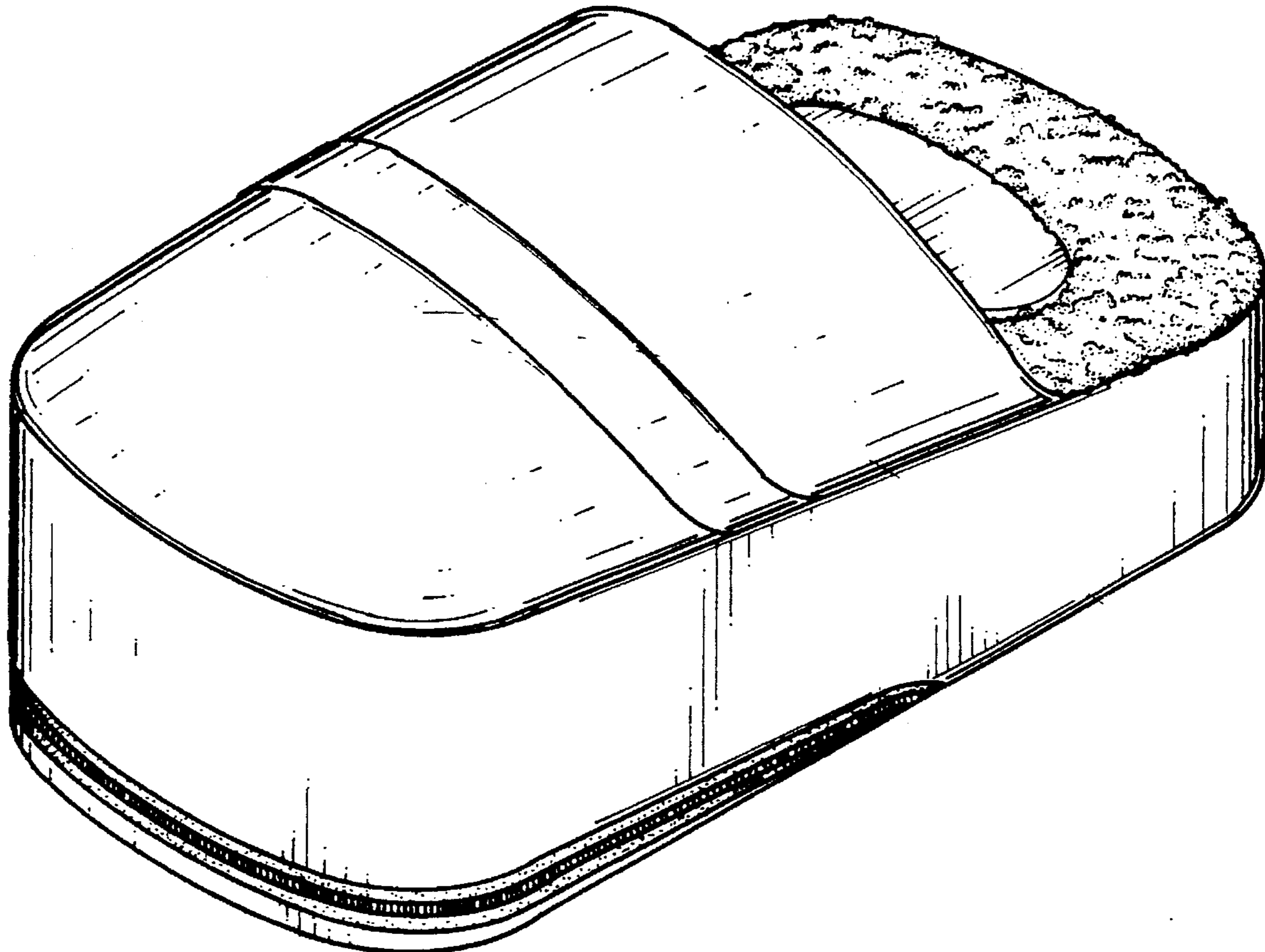
FIG. 4 is a side elevational view thereof;

FIG. 5 is a side elevational view thereof;

FIG. 6 is a top plan view thereof; and,

FIG. 7 is a bottom plan view thereof.

1 Claim, 4 Drawing Sheets



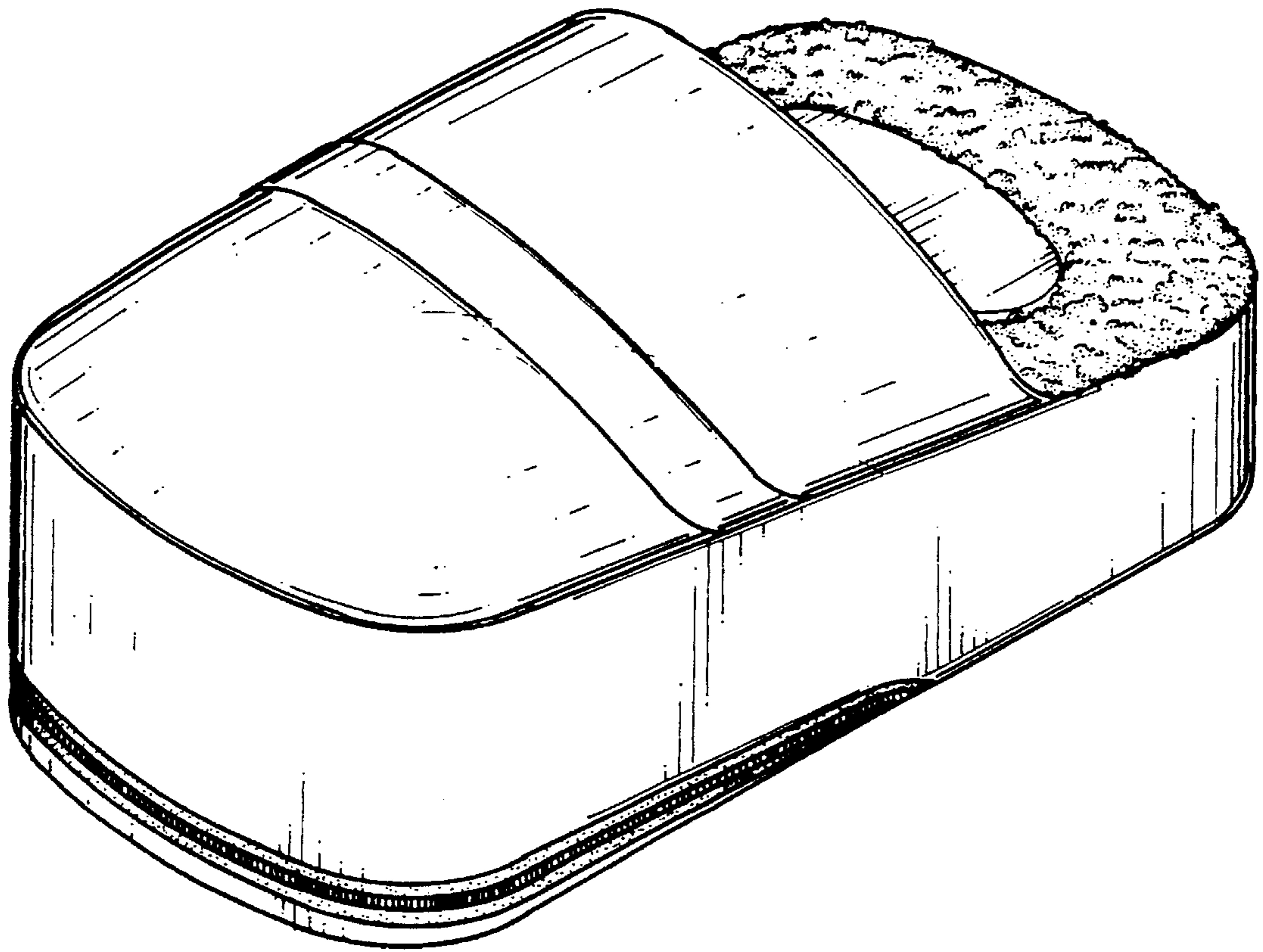


FIG. 1

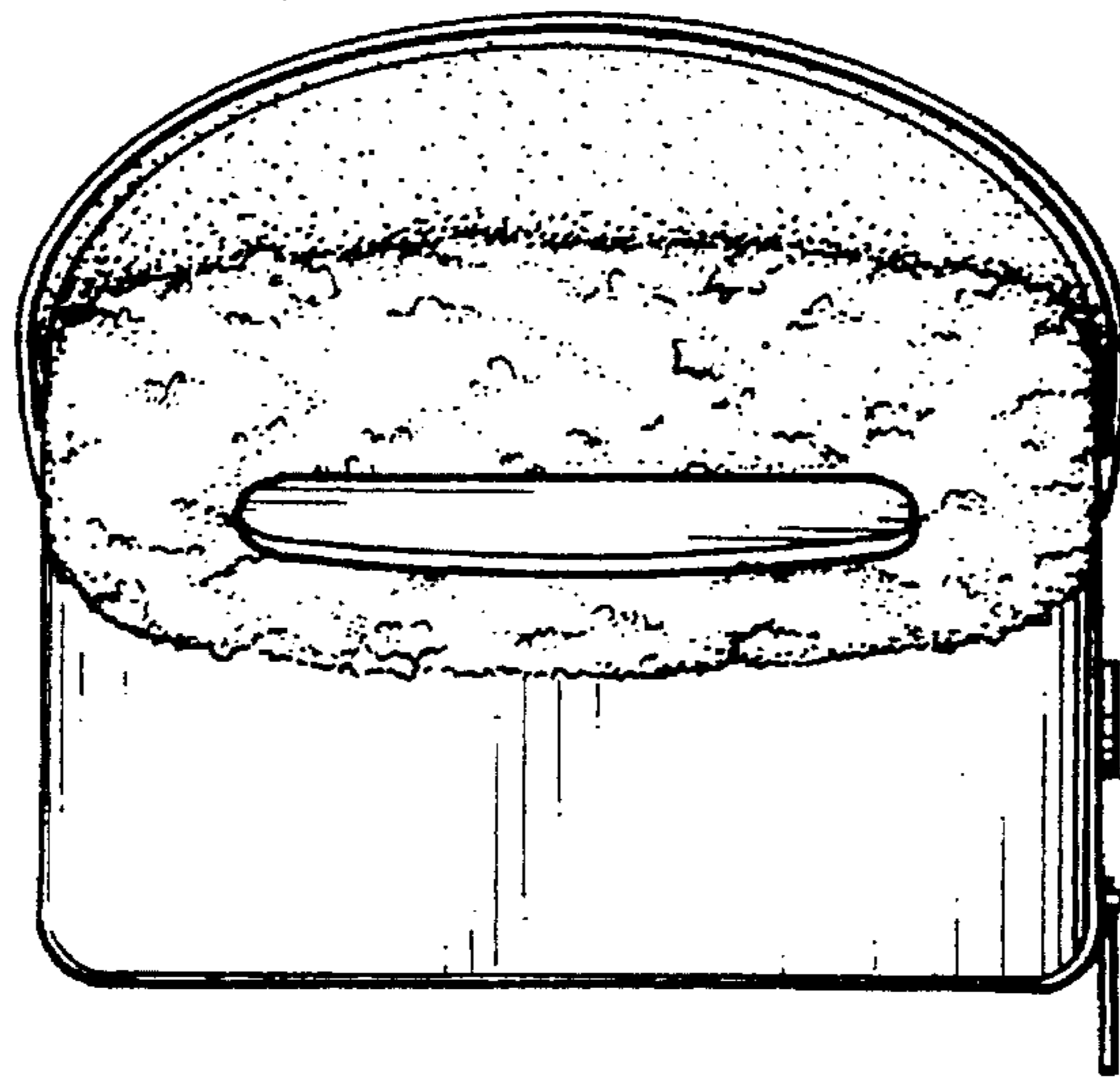


FIG. 3

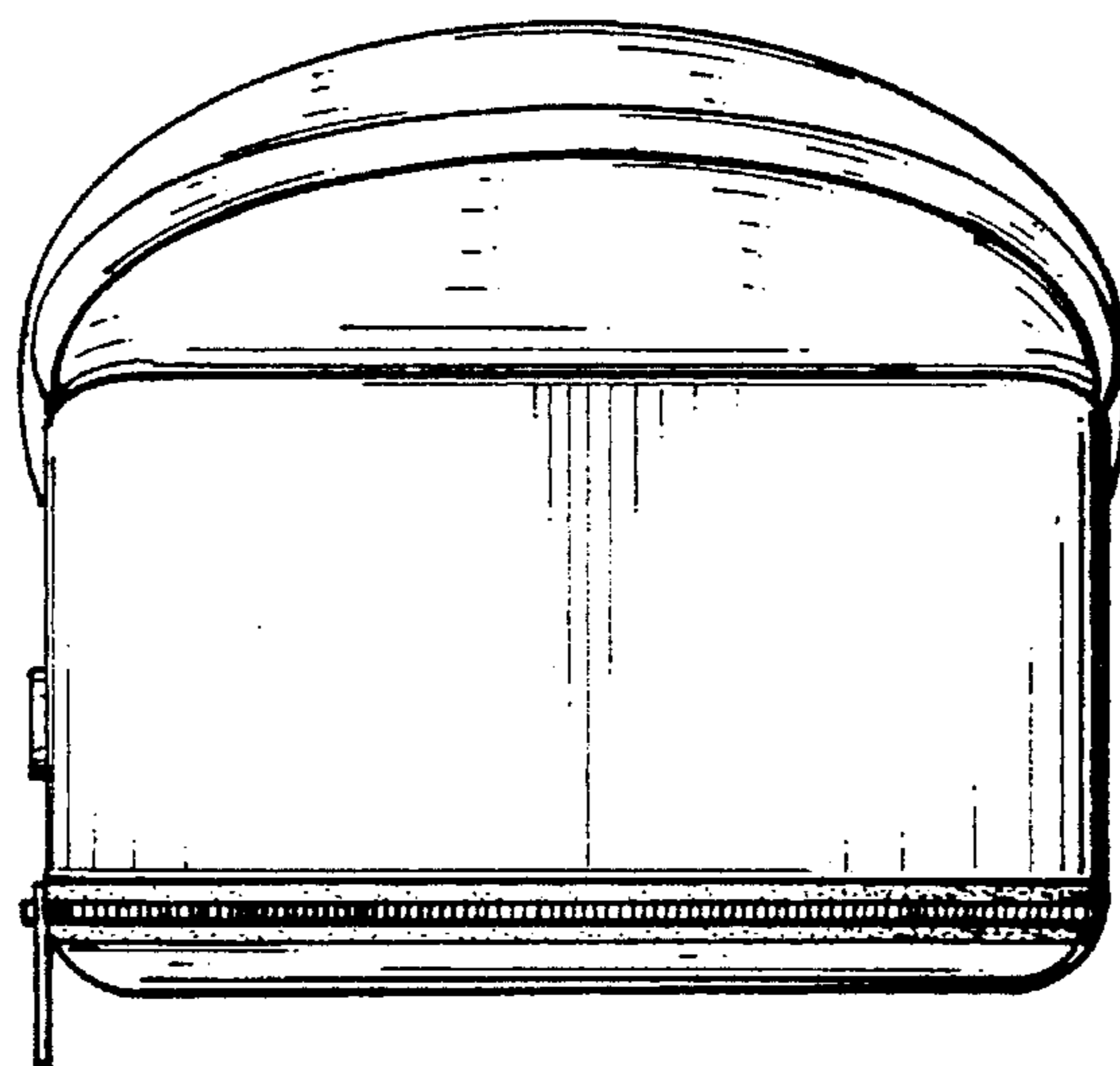


FIG. 2

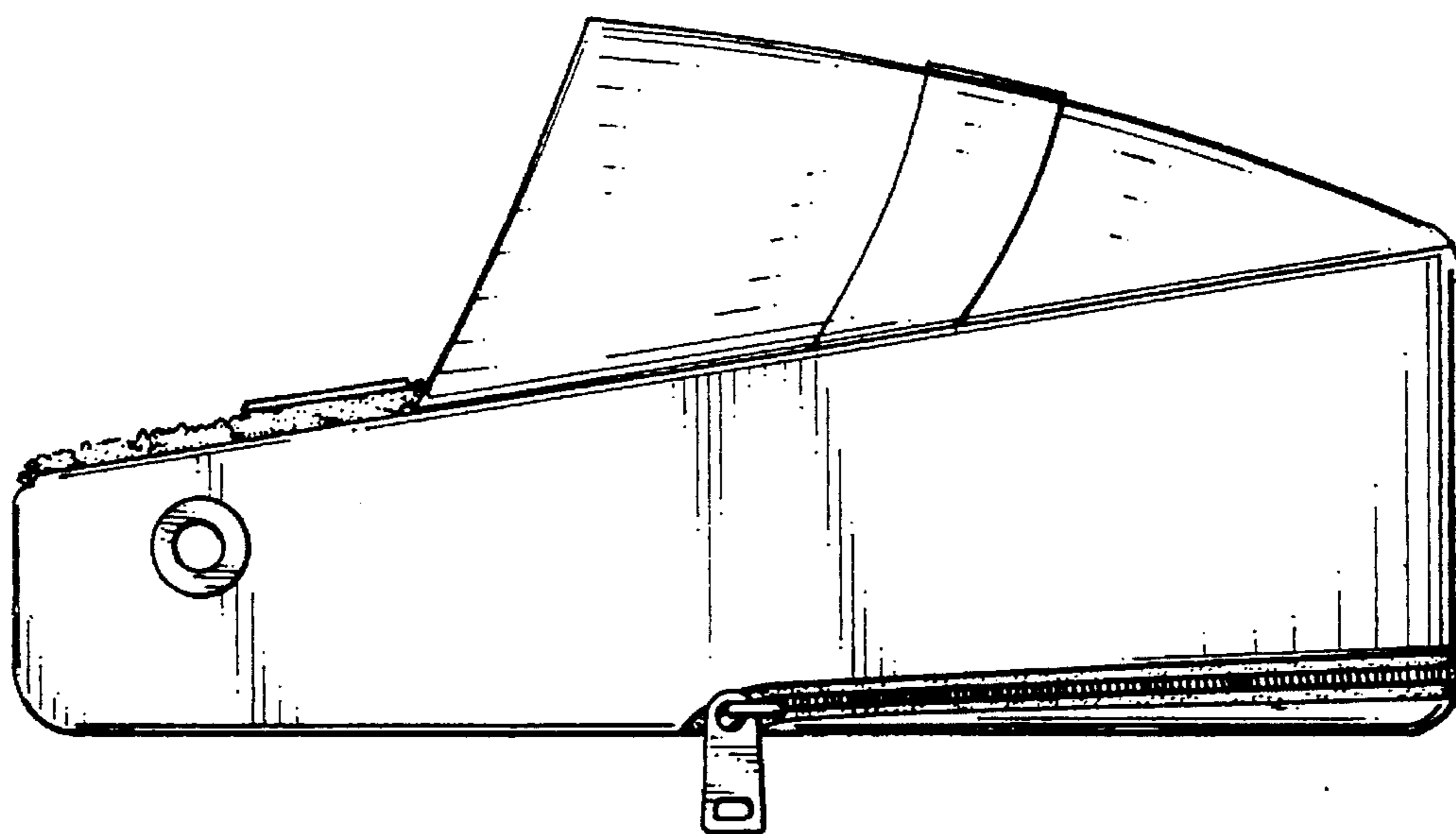


FIG. 4

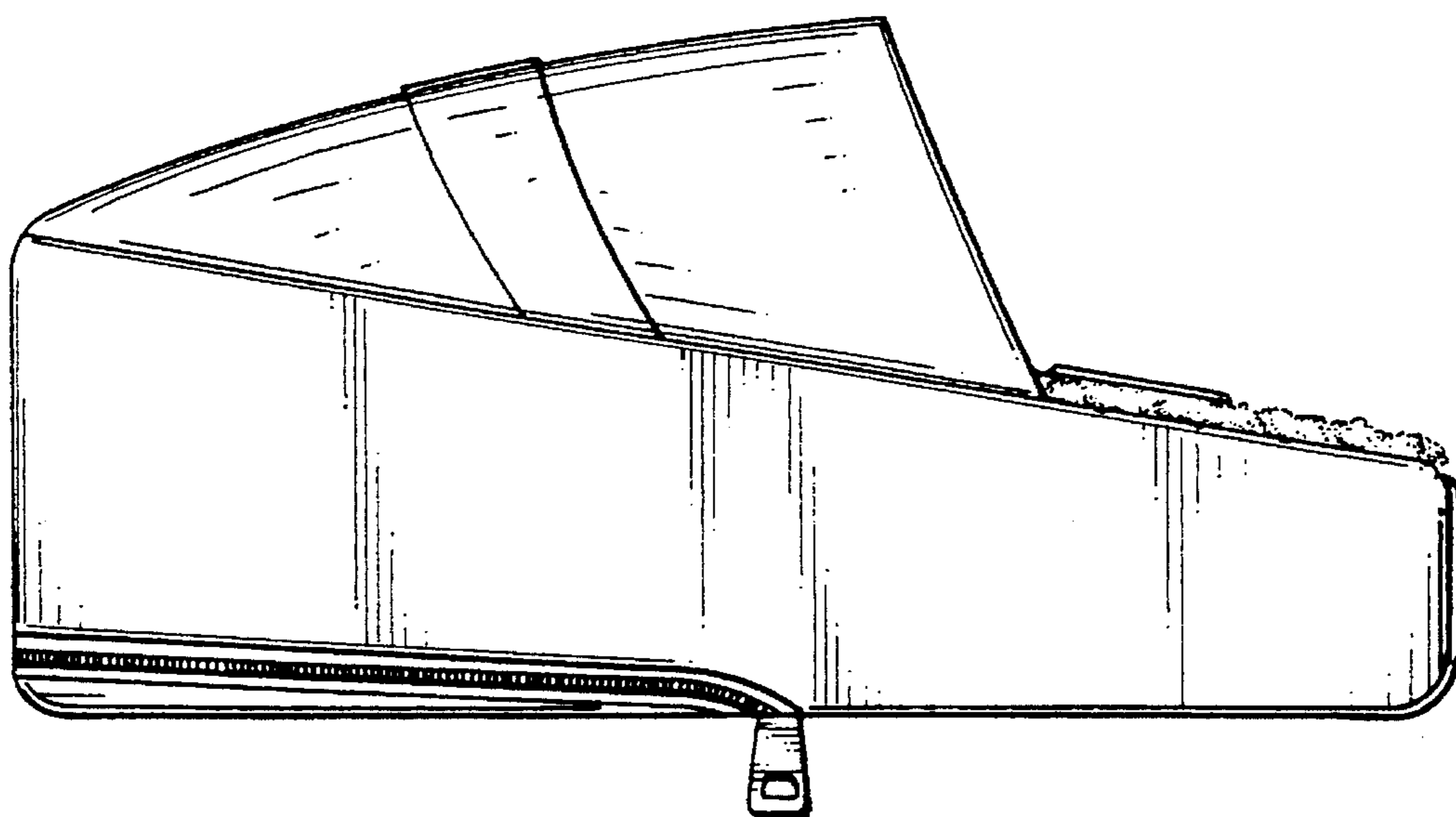


FIG. 5

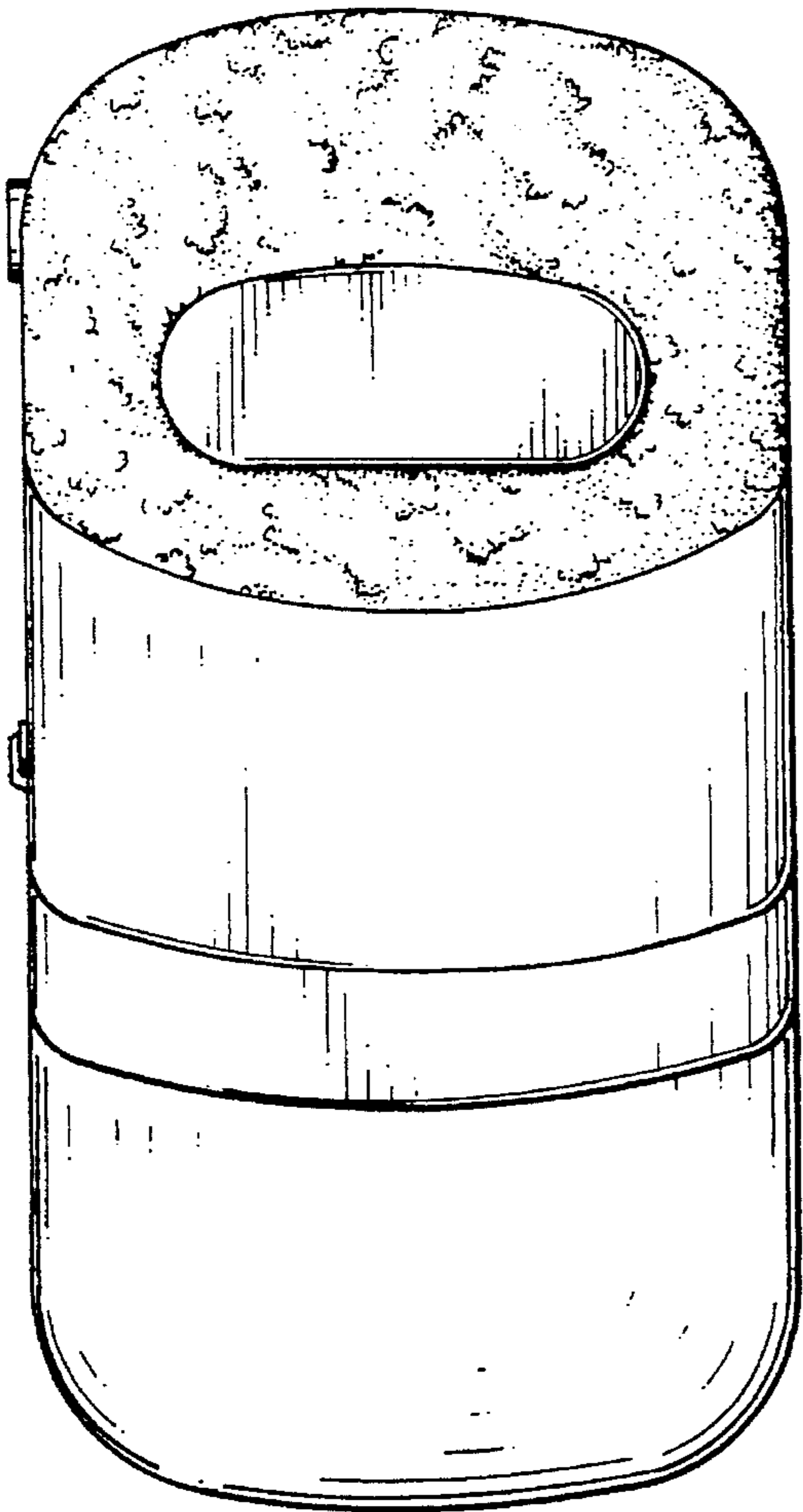


FIG. 6

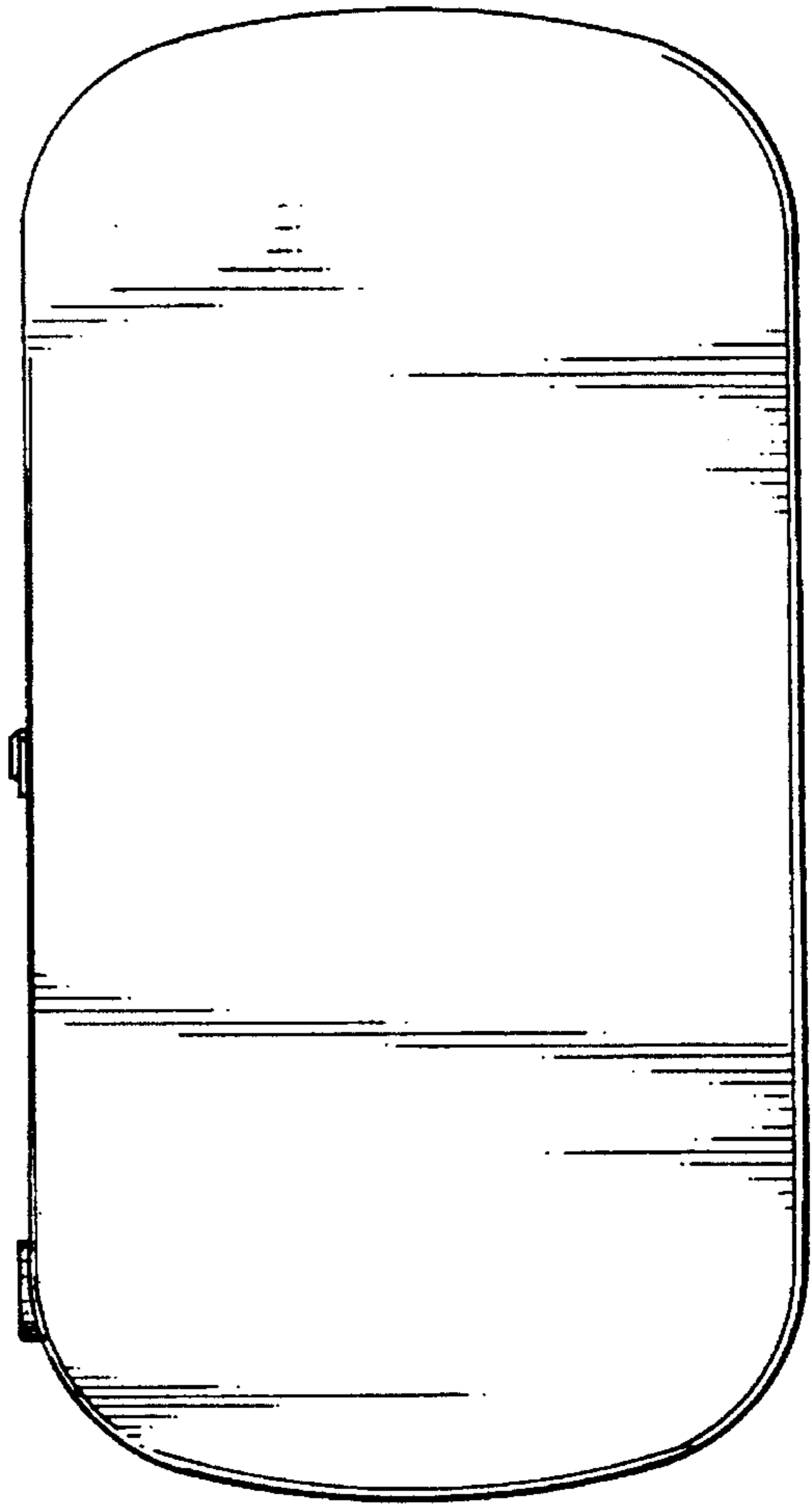


FIG. 7