



US00D374538S

United States Patent [19]

Hanson et al.

[11] Patent Number: **Des. 374,538**

[45] Date of Patent: ****Oct. 8, 1996**

[54] **MULTI-COMPARTMENT DRUM**

4,739,894 4/1988 Pender 220/23.4
5,045,418 9/1991 Fukuyoshi .
5,158,209 10/1992 Reil et al. .

[75] Inventors: **Terry J. Hanson**, Raleigh; **Ted E. Piatt**, Apex; **Martin P. Mascianica**, Chapel Hill, all of N.C.

Primary Examiner—Lucy J. Lieberman
Attorney, Agent, or Firm—Nixon & Vanderhye P.C.

[73] Assignee: **BASF Corporation**, Mount Olive, N.J.

[57] **CLAIM**

[**] Term: **14 Years**

The ornamental design for a multi-compartment drum, as shown and described.

[21] Appl. No.: **18,144**

DESCRIPTION

[22] Filed: **Jan. 31, 1994**

[52] U.S. Cl. **D34/39**

[58] **Field of Search** D34/39; 220/23.4, 220/23.83, 500, 601, 669, 672, 608, 771, DIG. 1, 772, 4.04, 4.24, 4.27; D9/341

FIG. 1 is a front perspective view of the multi-compartment drum according to this invention showing our new design therefor;

FIG. 2 is a top plan view of the multi-compartment drum shown in FIG. 1;

FIG. 3 is a bottom plan view of the multi-compartment drum shown in FIG. 1;

FIG. 4 is a front elevational view as taken along line 4—4 in FIG. 2, the rear elevational view is the same;

FIG. 5 is a left side elevational view taken along line 5—5 in FIG. 2, the right side elevational view is the same; and,

FIG. 6 is an exploded perspective view of the multi-compartment drum according to this invention showing the respective matable compartments thereof separated in a clam-shell fashion.

[56] References Cited

U.S. PATENT DOCUMENTS

- D. 277,041 1/1985 Nichols D34/39
- D. 313,297 12/1990 Carducci-Cosgrove et al. D34/1
- D. 321,128 10/1991 De Bose, Jr. D9/341
- D. 327,965 7/1992 Chelec D34/1 X
- 1,976,622 10/1934 McIntyre .
- 2,726,004 12/1955 McLeod .
- 4,165,812 8/1979 Jennison .
- 4,271,965 6/1981 Brambley et al. .
- 4,286,723 9/1981 Schutz 220/4.04 X
- 4,656,840 4/1987 Loofbourrow et al. .

1 Claim, 3 Drawing Sheets

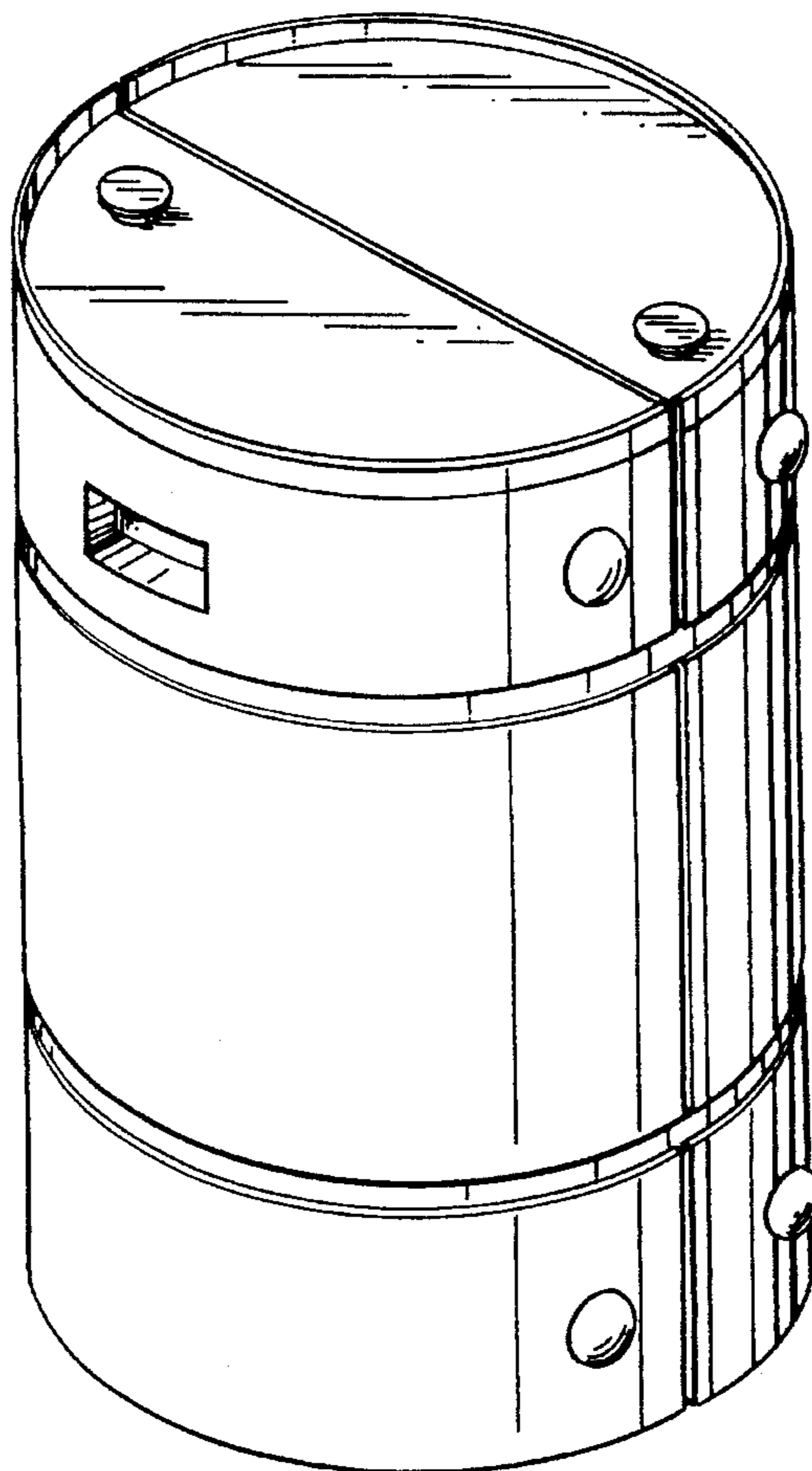


Fig. 1

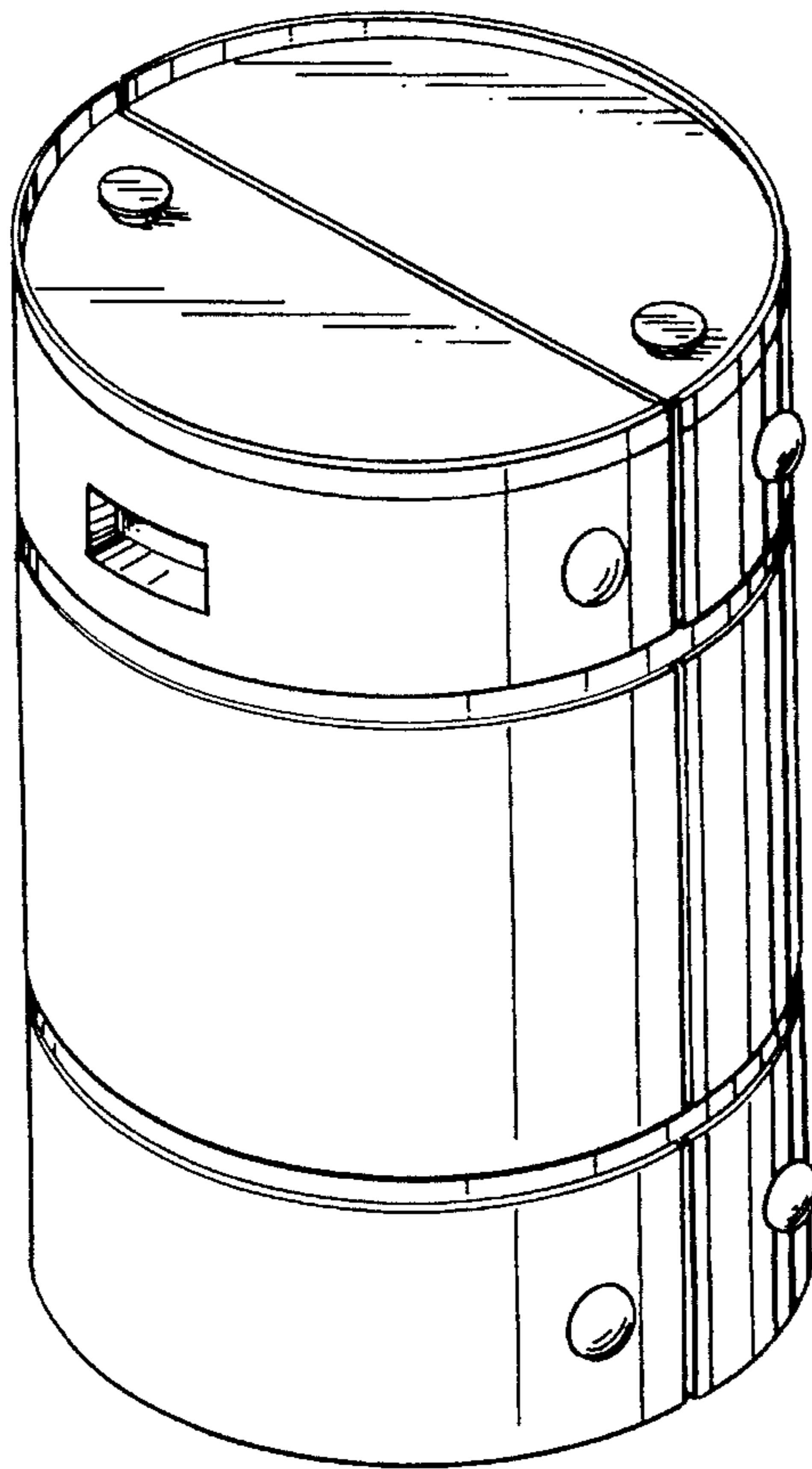


Fig. 2

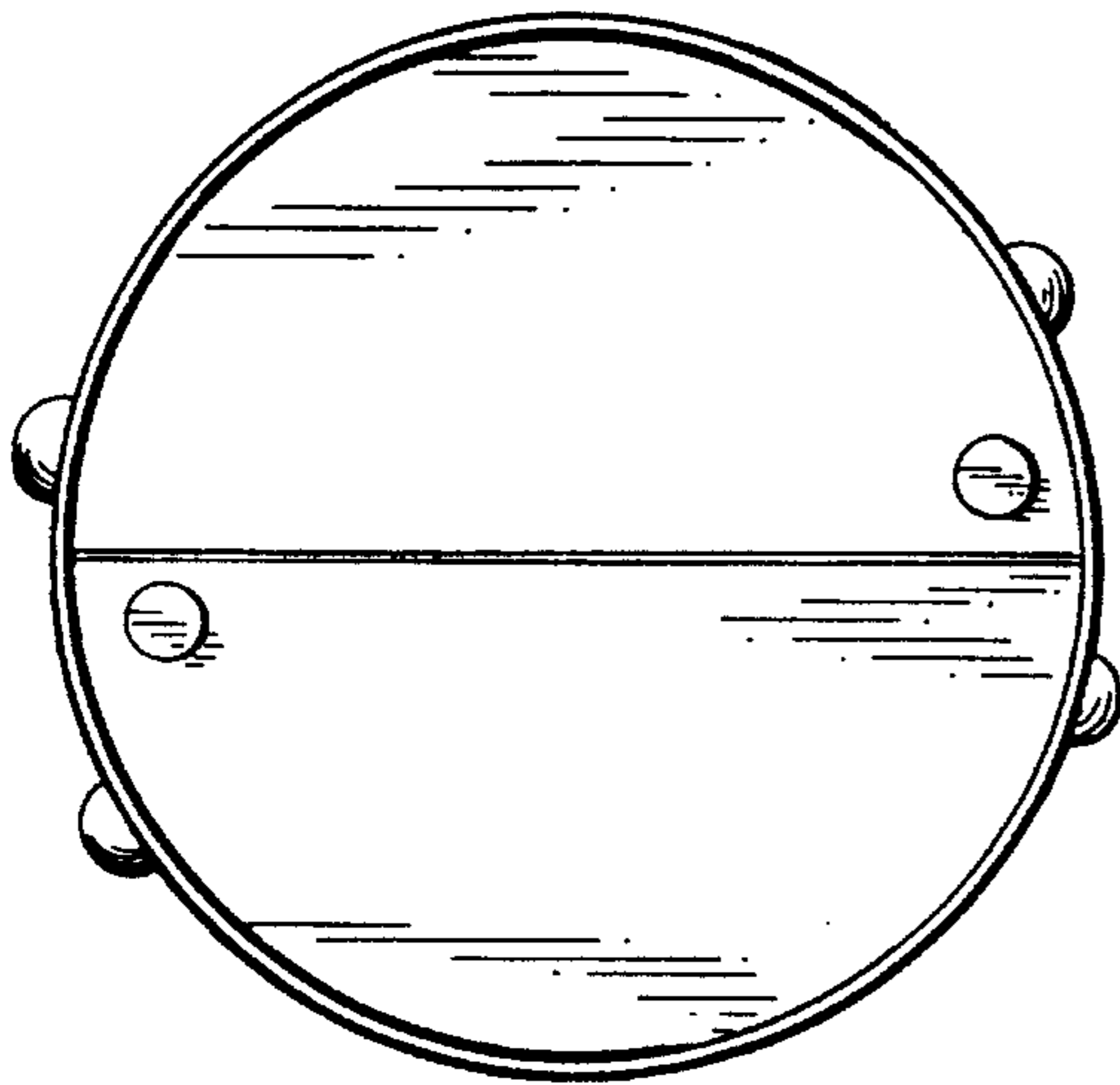
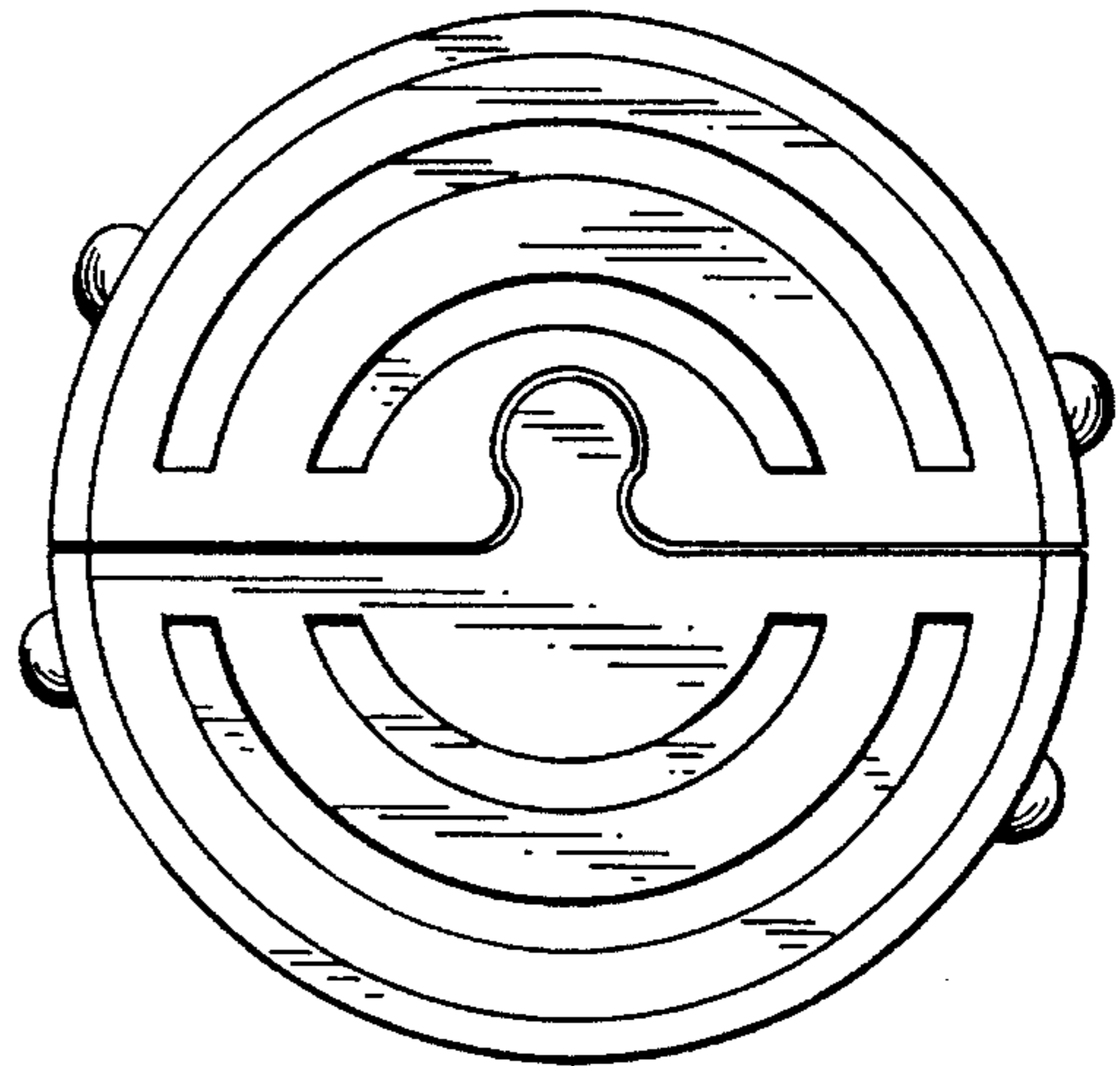


Fig. 3



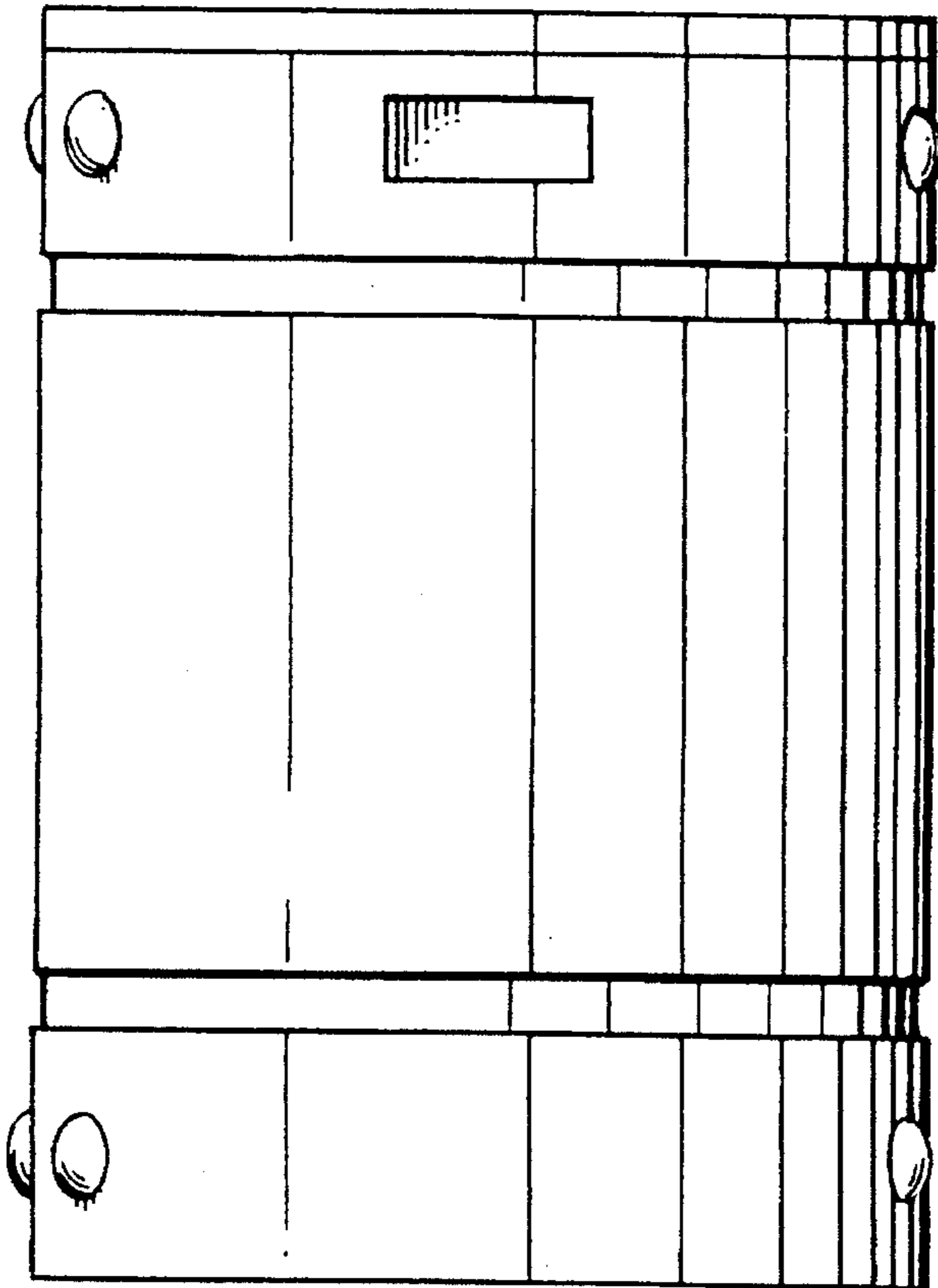


Fig. 4

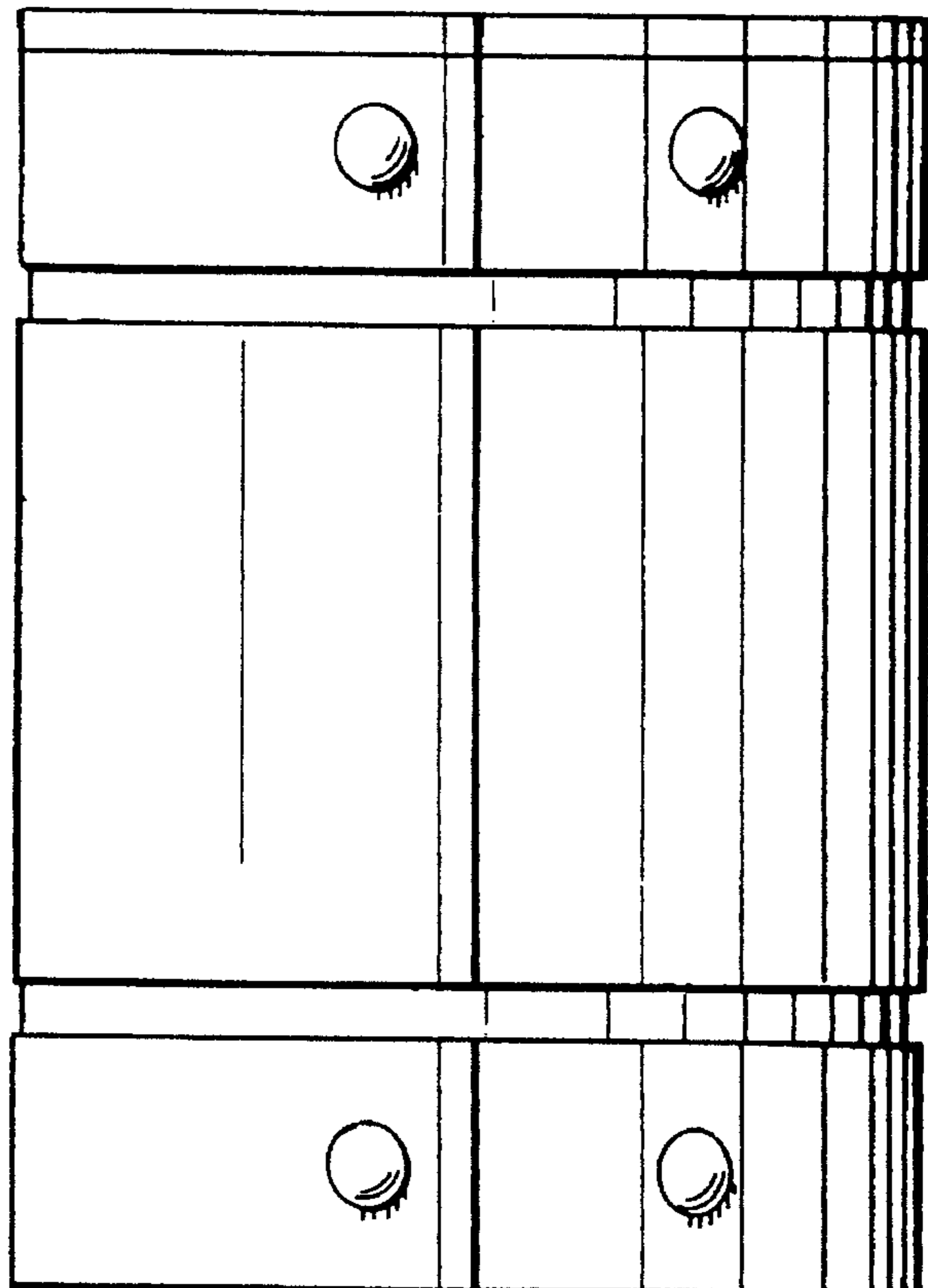


Fig. 5

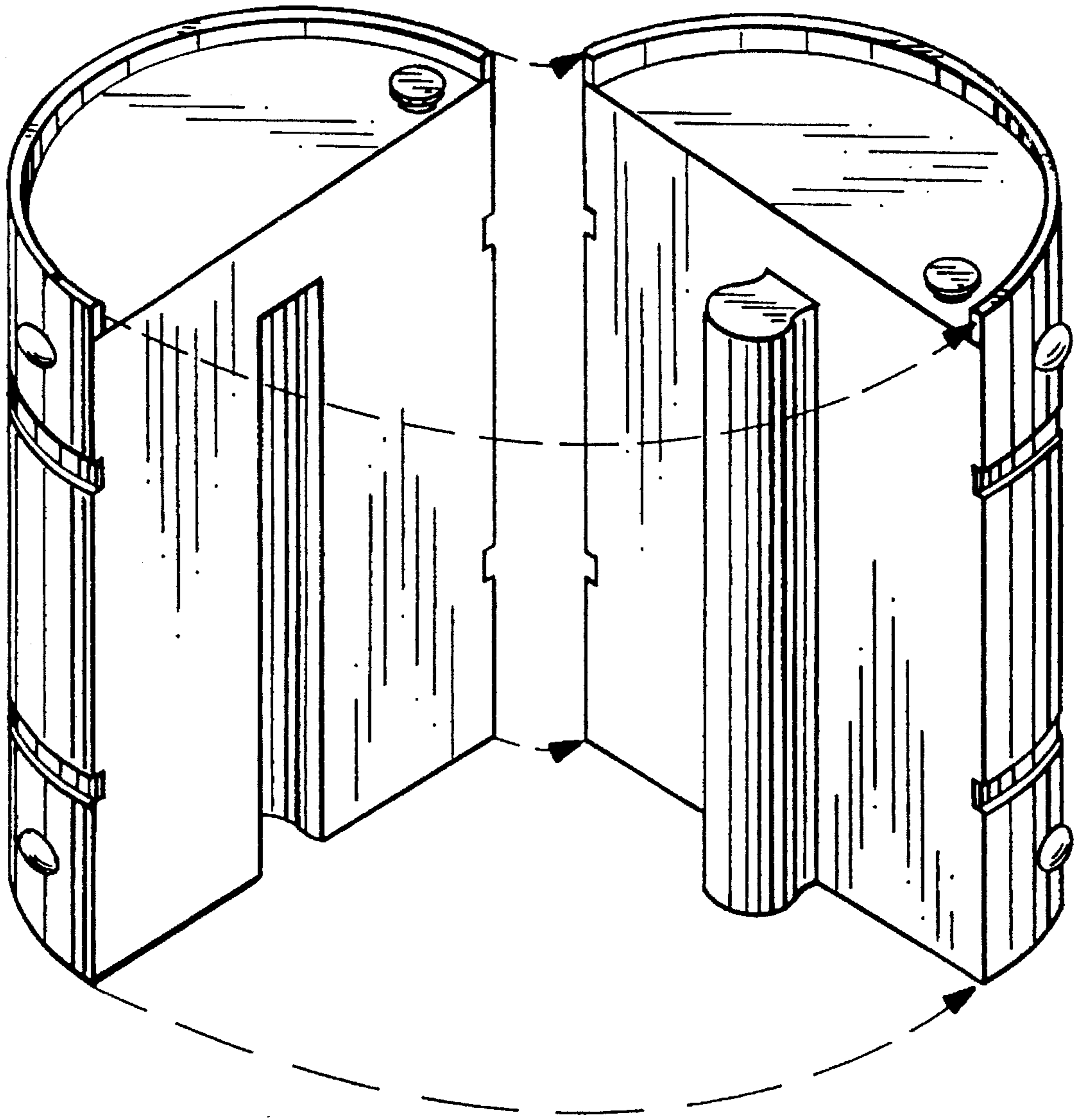


Fig. 6