



US00D374533S

United States Patent [19]

[11] Patent Number: **Des. 374,533**

Read

[45] Date of Patent: ****Oct. 8, 1996**

[54] SCUBA TANK DOLLY FLOAT

[57] CLAIM

[76] Inventor: **Kelley A. Read**, 145 Pinecrest Beach Dr., E. Falmouth, Mass. 02536

The ornamental design for a scuba tank dolly float, as shown and described.

[**] Term: **14 Years**

DESCRIPTION

[21] Appl. No.: **42,363**

FIG. 1 is a perspective view of a scuba tank dolly float embodying my new design, with a scuba tank attached thereto;

[22] Filed: **Aug. 9, 1995**

FIG. 2 is a perspective view of the scuba tank dolly float illustrated in FIG. 1 floating in water without the scuba tank attached thereto;

[52] U.S. Cl. **D34/24; D34/26**

[58] Field of Search **D34/12, 24, 25, D34/26; 280/47.26, 47.24, 79.5, 651, 652, 47.27**

FIG. 3 is a front view thereof;

FIG. 4 is a side view thereof;

FIG. 5 is a rear view thereof;

FIG. 6 is a top view thereof; and,

FIG. 7 is a bottom view thereof.

[56] References Cited

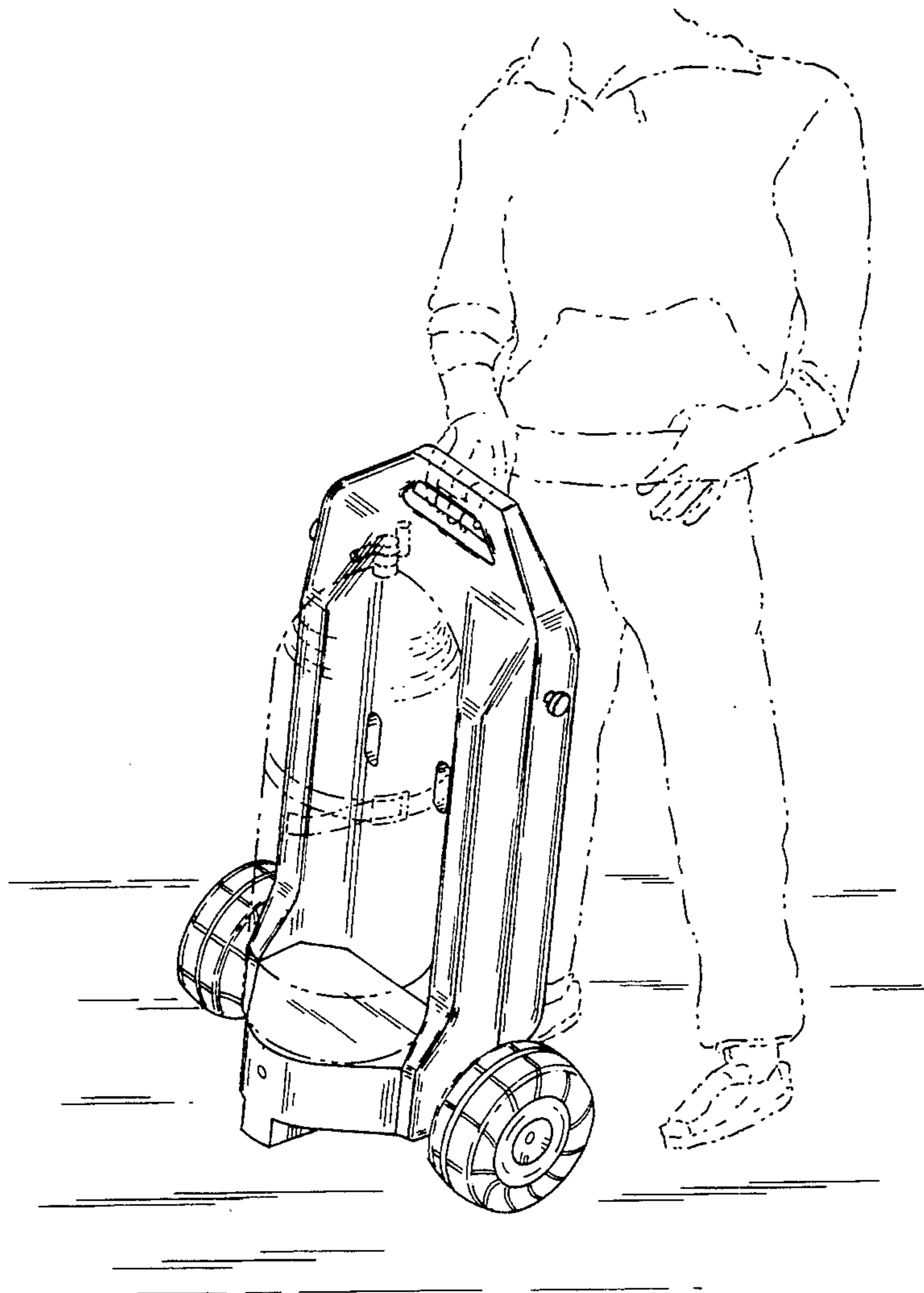
U.S. PATENT DOCUMENTS

5,071,148	12/1991	Salvucci, Sr.	280/47.26
5,393,080	2/1995	Ross	280/47.26
5,458,350	10/1995	Johnson et al.	280/47.26

The broken line showings of a scuba tank and straps in FIG. 1, and a flag in FIG. 2, are for illustrative purposes only and form no part of the claimed design.

Primary Examiner—**Kay H. Chin**
Attorney, Agent, or Firm—**John P. McGonagle**

1 Claim, 4 Drawing Sheets



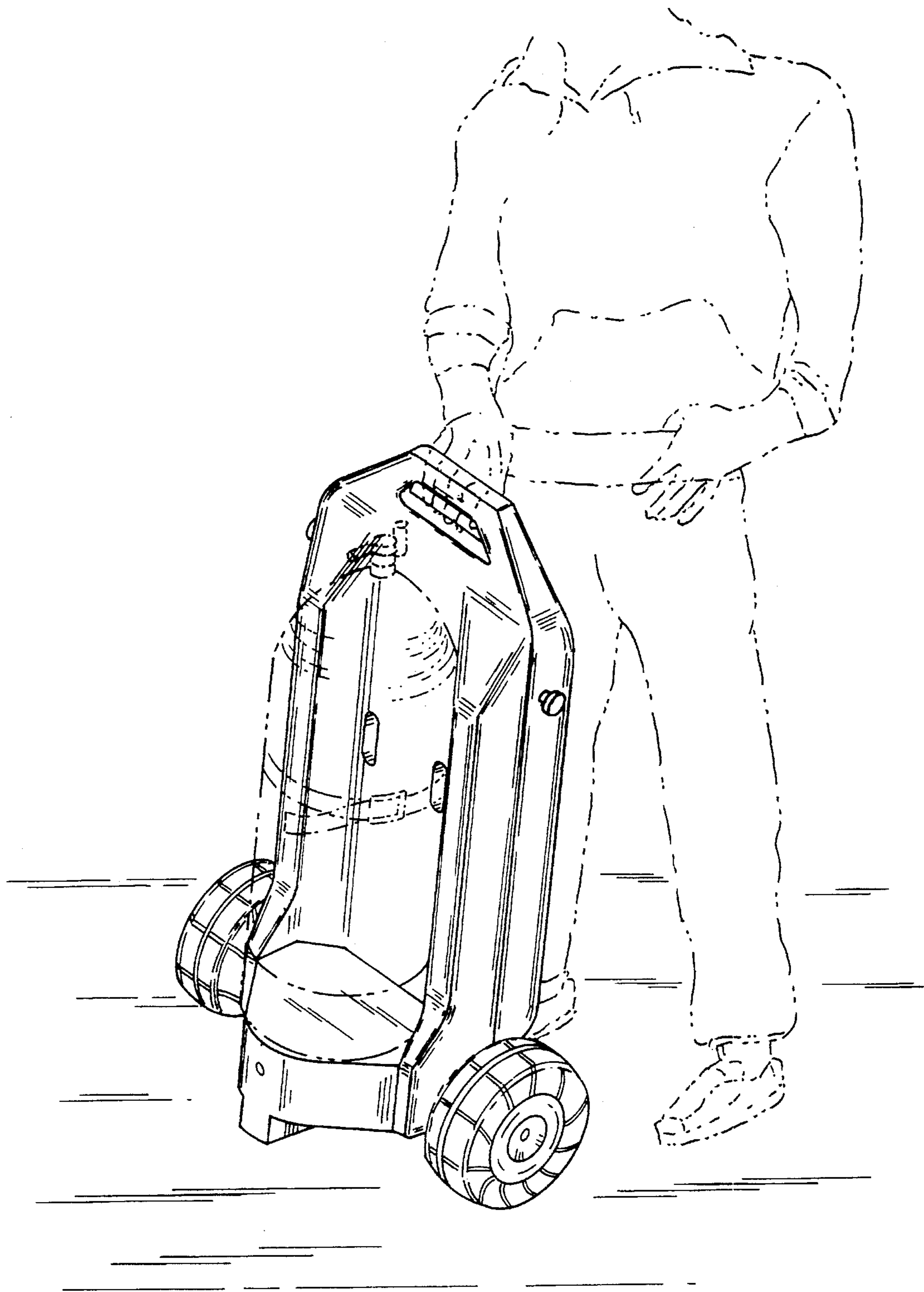


FIG. 1

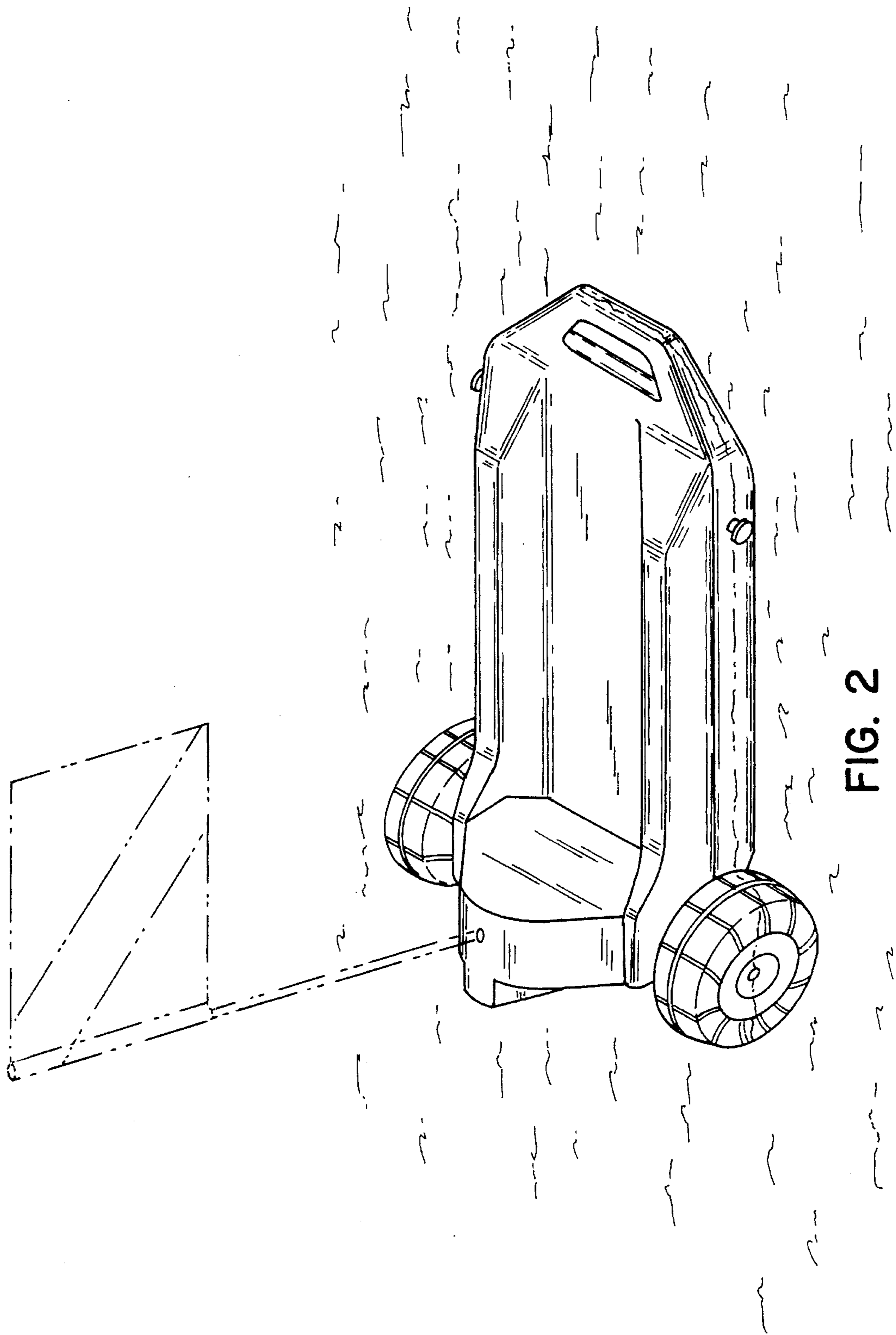


FIG. 2

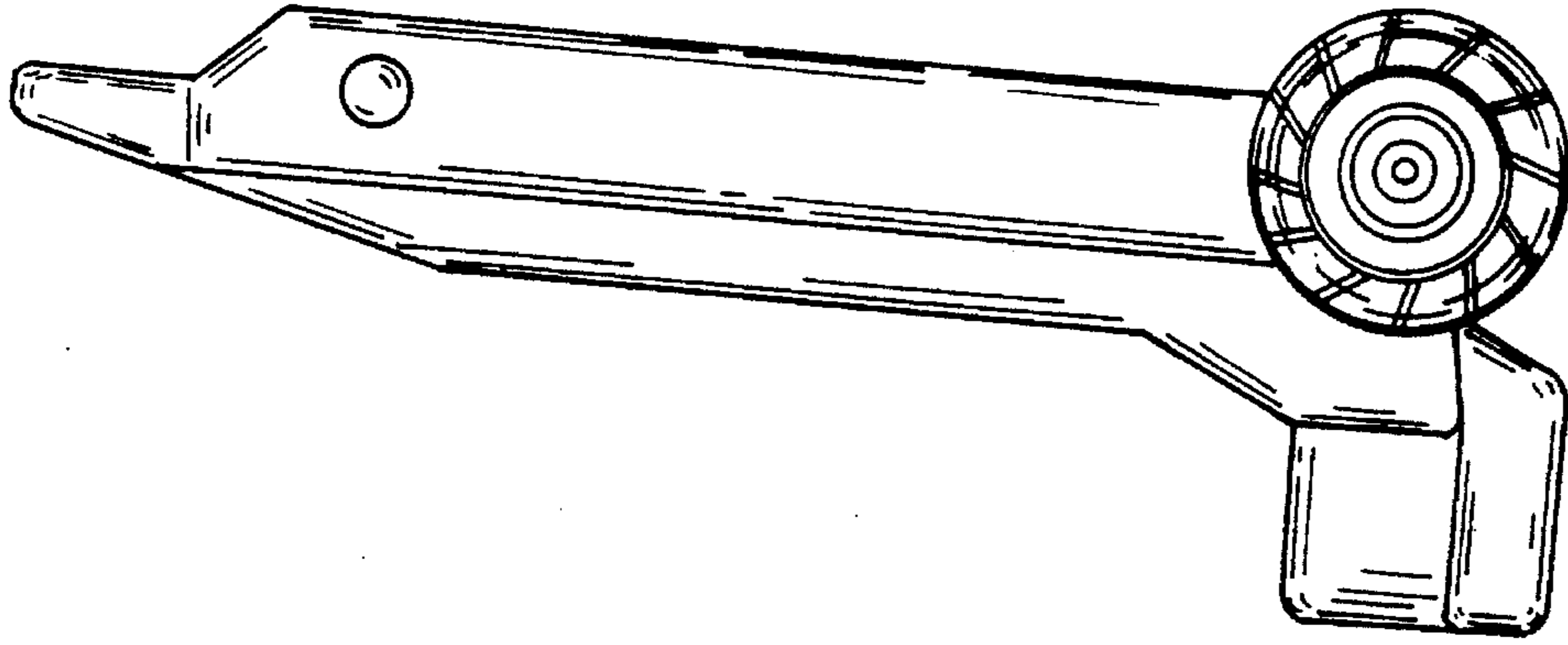


FIG. 4

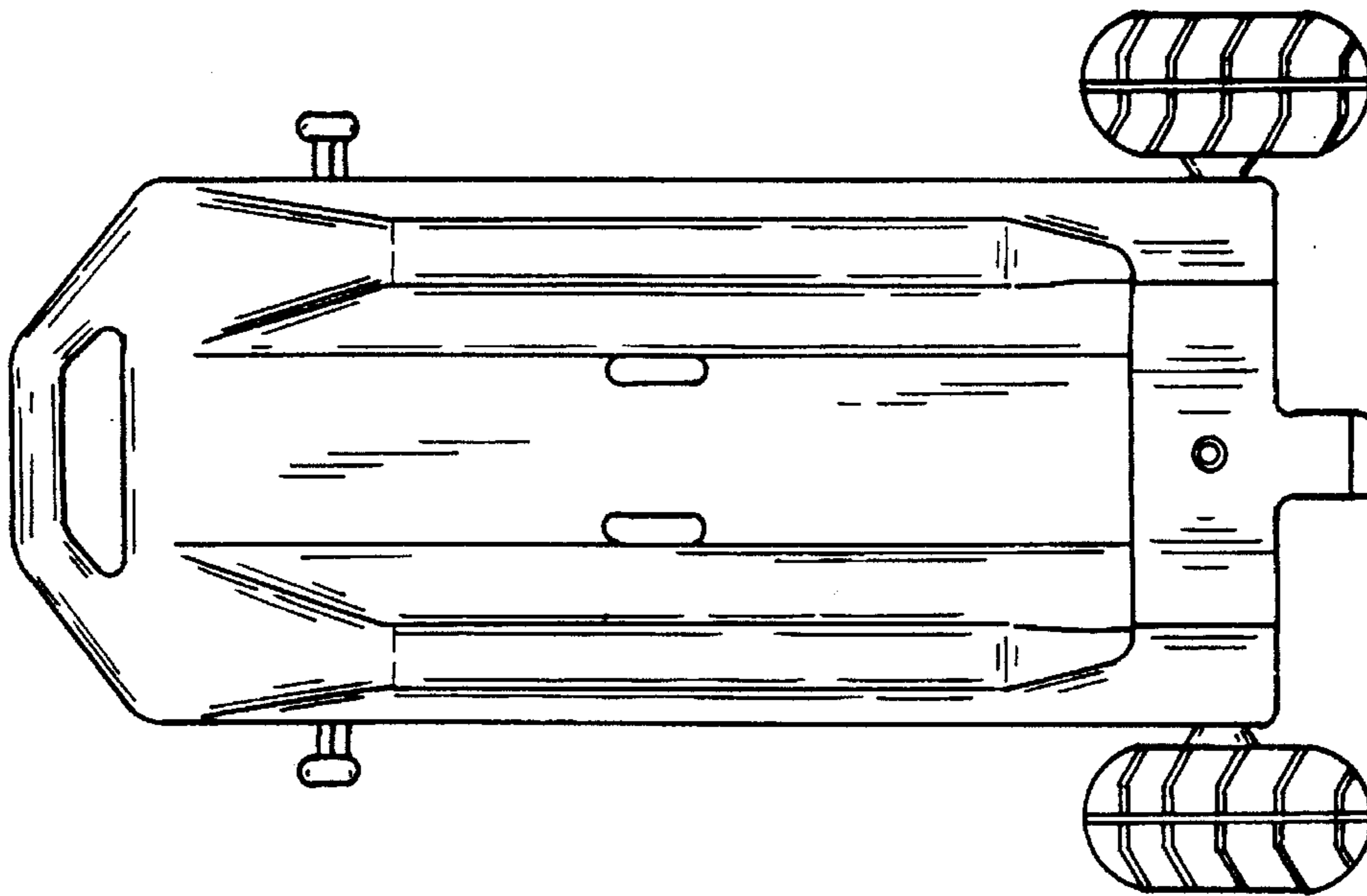


FIG. 3

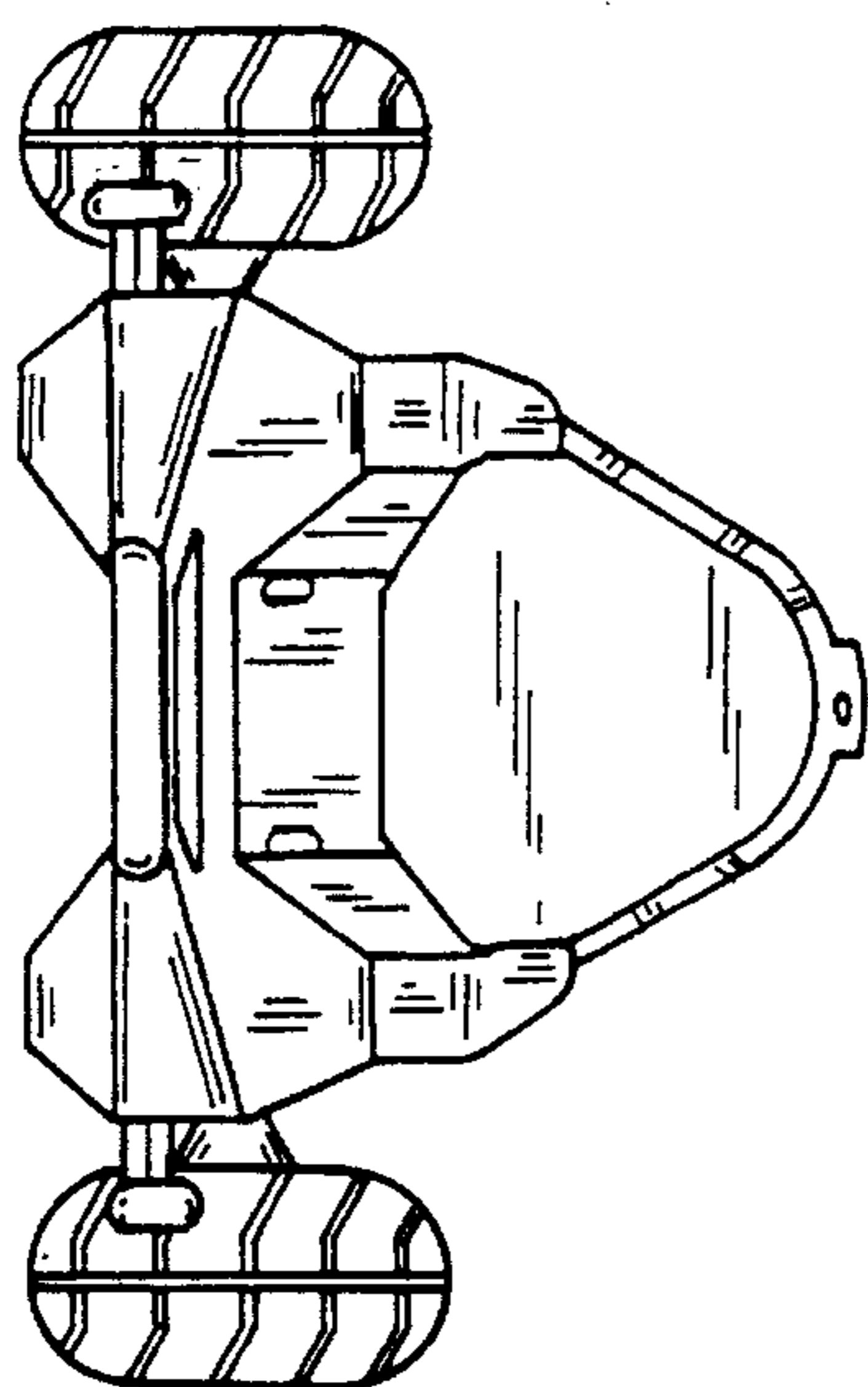


FIG. 6

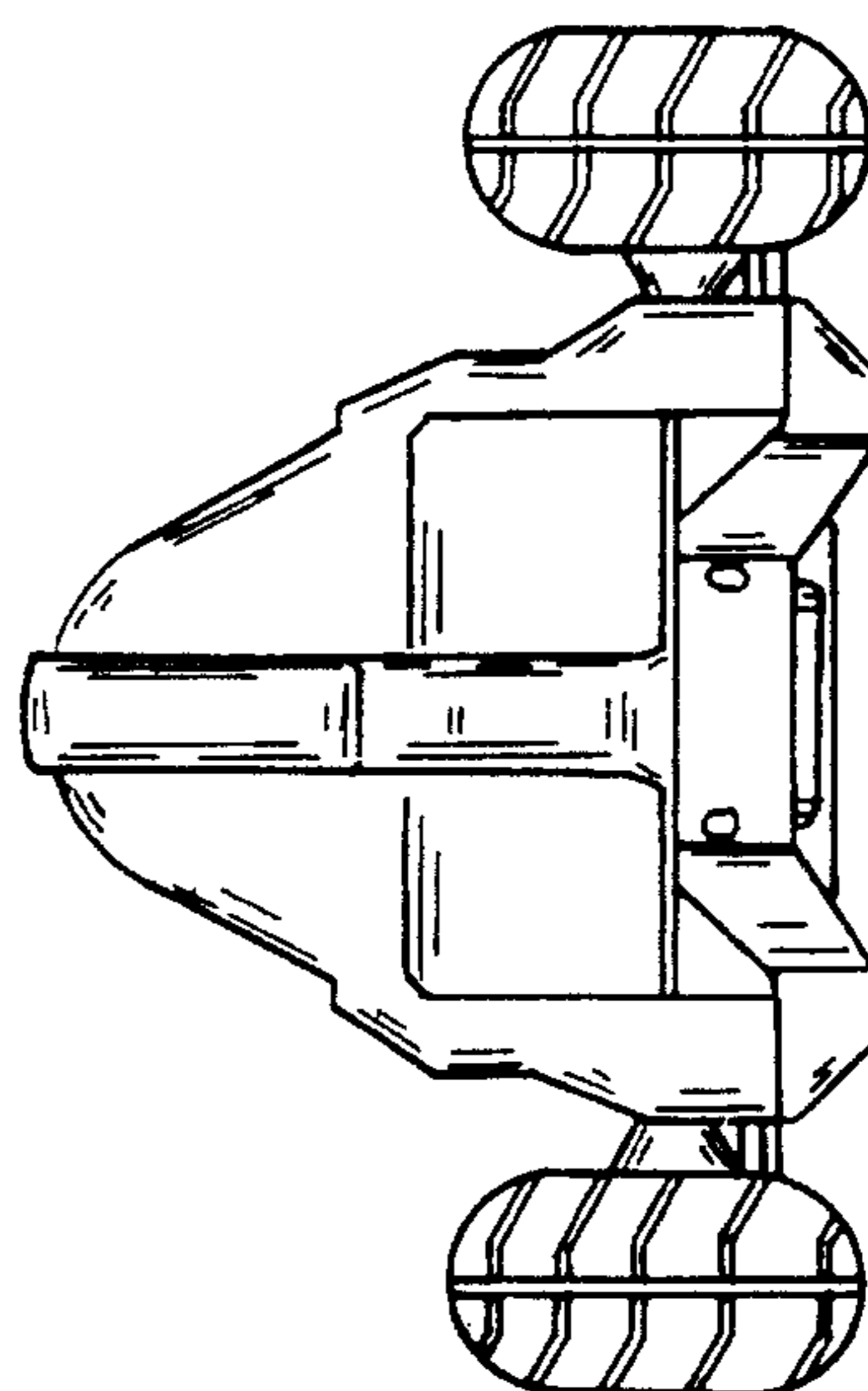


FIG. 7

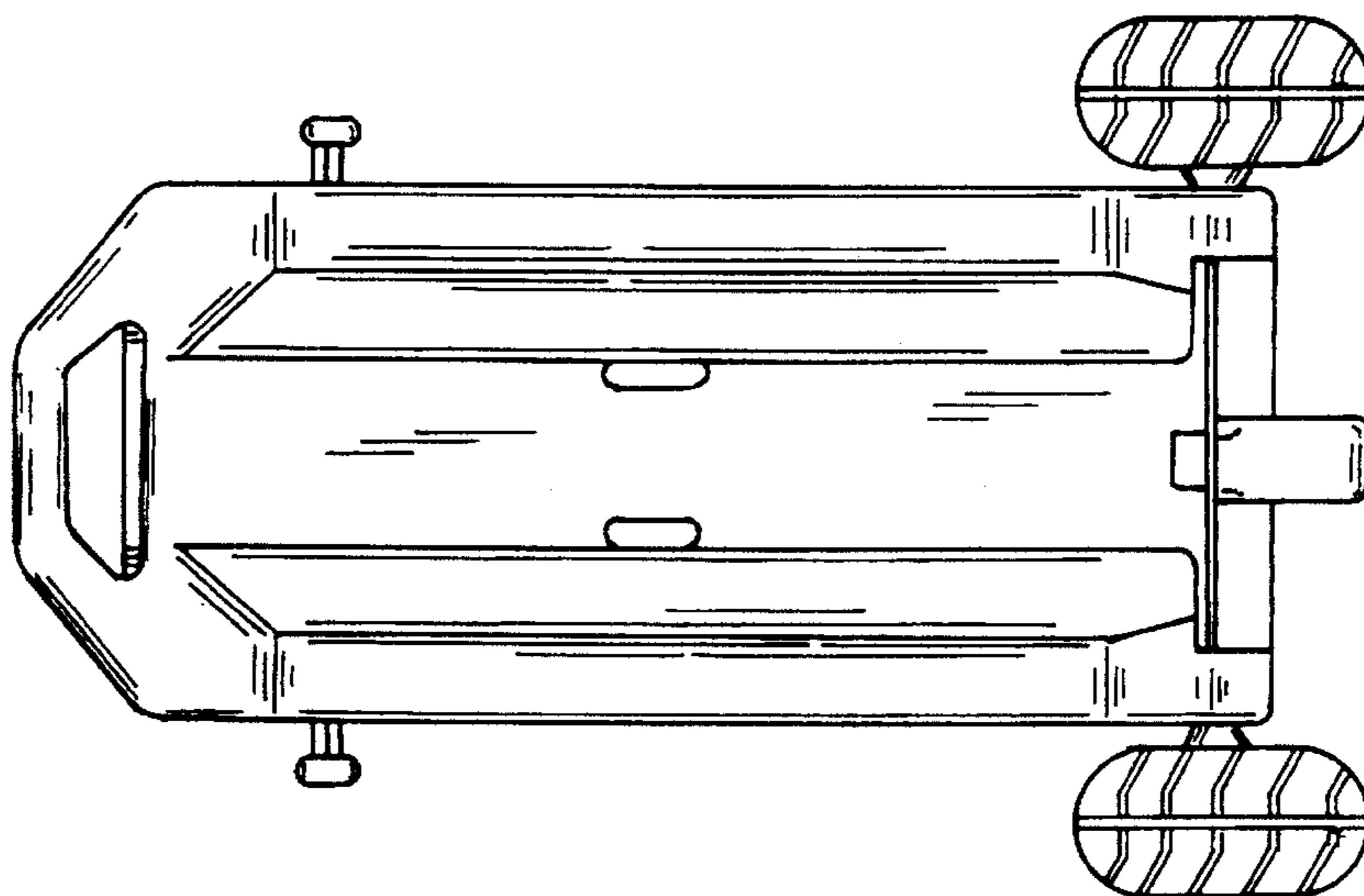


FIG. 5