



US00D374532S

United States Patent [19]

[11] Patent Number: **Des. 374,532**

Pool

[45] Date of Patent: ****Oct. 8, 1996**

[54] **UTILITY CART**

5,290,058 3/1994 Adams et al. .

[76] Inventor: **Frank Pool**, 6319 SE. Carlton St.,
Portland, Oreg. 97206

Primary Examiner—Kay H. Chin
Attorney, Agent, or Firm—Kolisich Hartwell Dickinson
McCormack & Heuser

[**] Term: **14 Years**

[57] **CLAIM**

[21] Appl. No.: **33,235**

The ornamental design for a utility cart, as shown.

[22] Filed: **Jan. 6, 1995**

[52] U.S. Cl. **D34/21; D34/25**

[58] Field of Search **D34/12-27; D6/436,**
D6/462, 430, 445, 446, 447, 449; 280/47.34,
47.35

DESCRIPTION

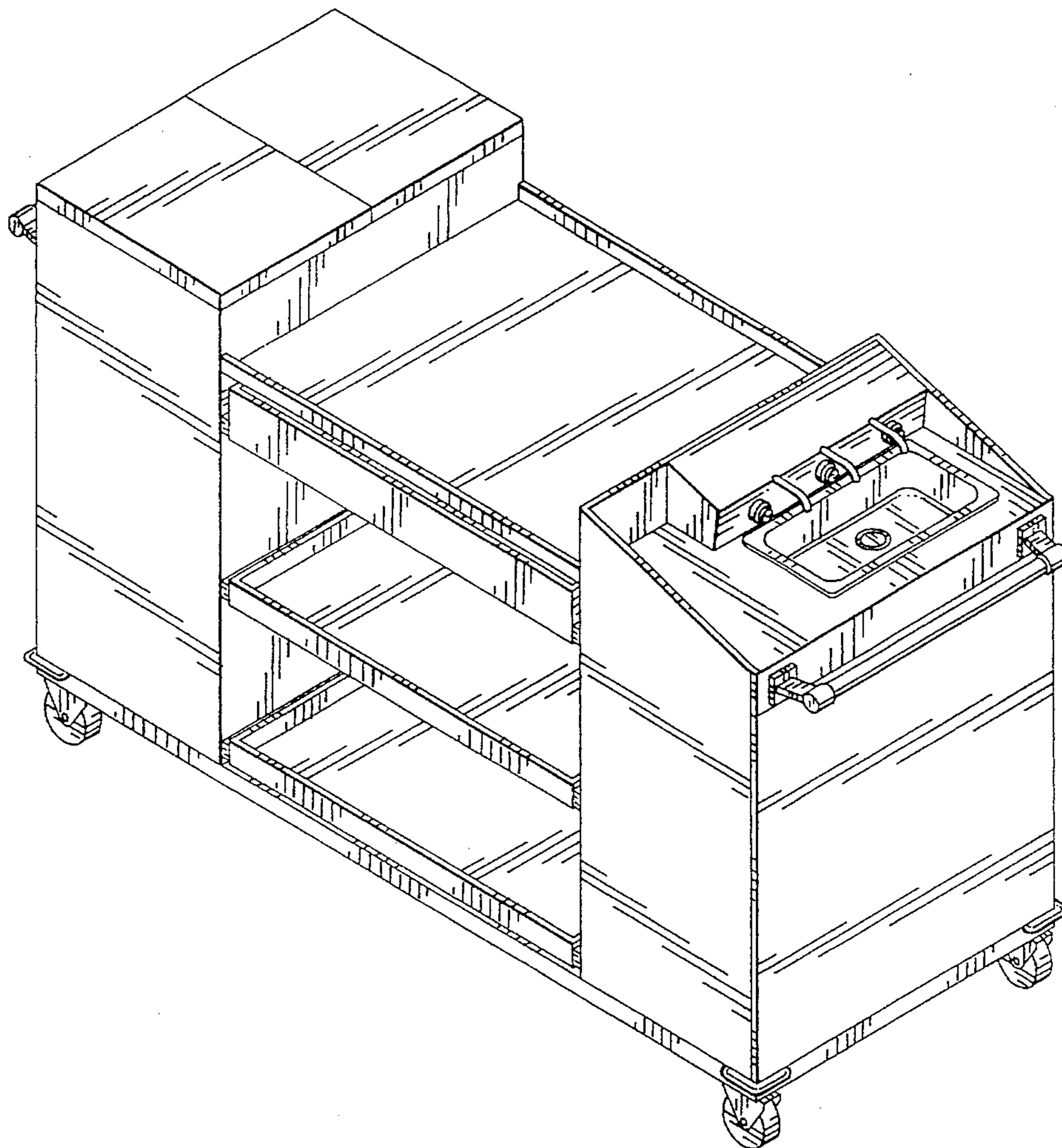
FIG. 1 is a left-side elevation of the preferred embodiment of the design of the present invention;
FIG. 2 is a front elevation of the preferred embodiment of the design of the present invention;
FIG. 3 is a rear elevation of the preferred embodiment of the design of the present invention;
FIG. 4 is a top plan view of the preferred embodiment of the design of the present invention; and
FIG. 5 is a bottom plan view of the preferred embodiment of the design of the present invention; and,
FIG. 6 is a perspective view of the preferred embodiment of the design of the present invention.

[56] References Cited

U.S. PATENT DOCUMENTS

D. 188,845	9/1960	Willey .	
D. 273,906	5/1984	Norlin .	
D. 312,342	11/1990	Jarrett	D34/21
D. 345,839	4/1994	Senese	D34/25
3,853,329	12/1974	McDonald .	
3,920,260	11/1975	Downing .	
4,652,062	3/1987	Greenwood .	
4,875,696	10/1989	Welch et al. .	

1 Claim, 5 Drawing Sheets



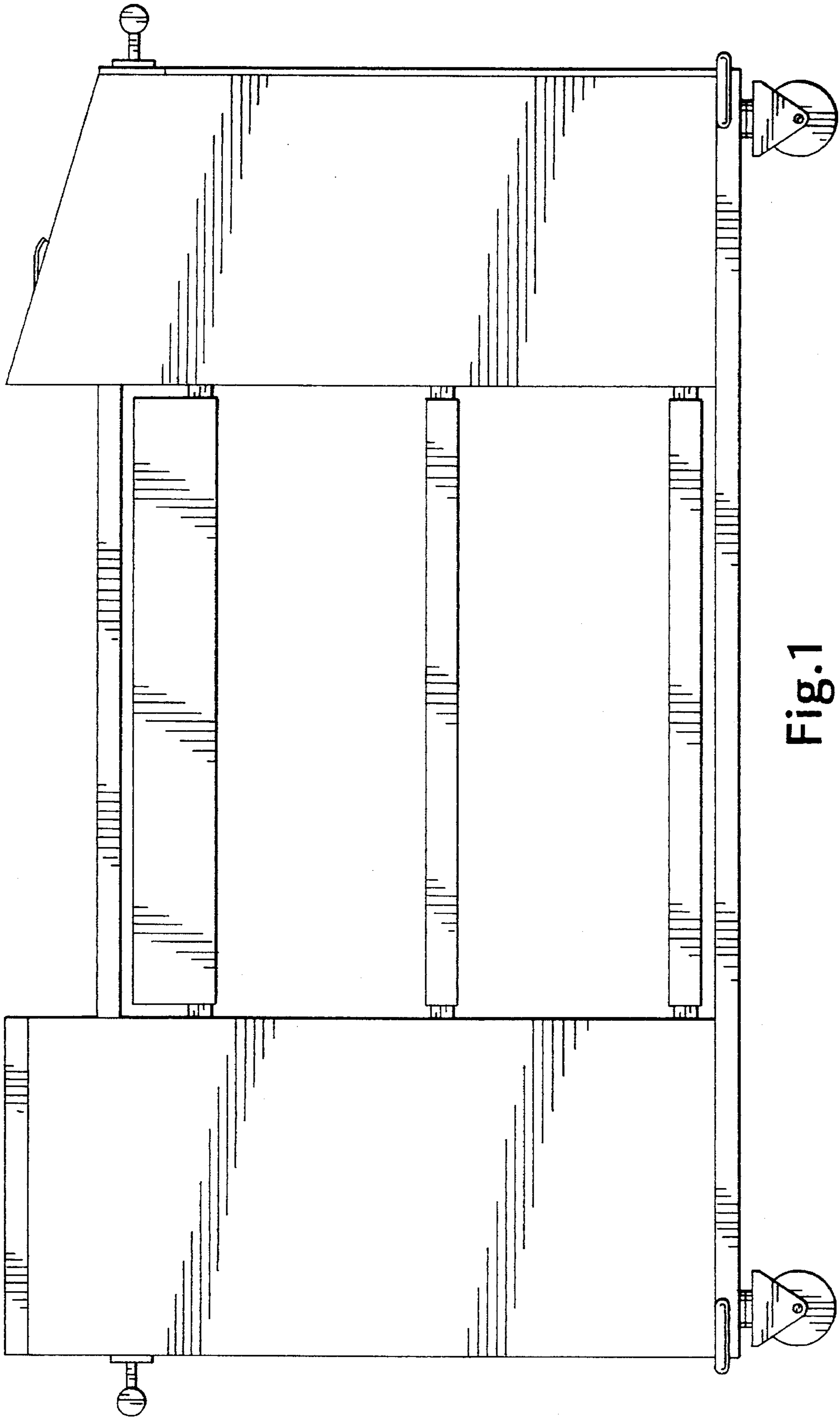


Fig. 1

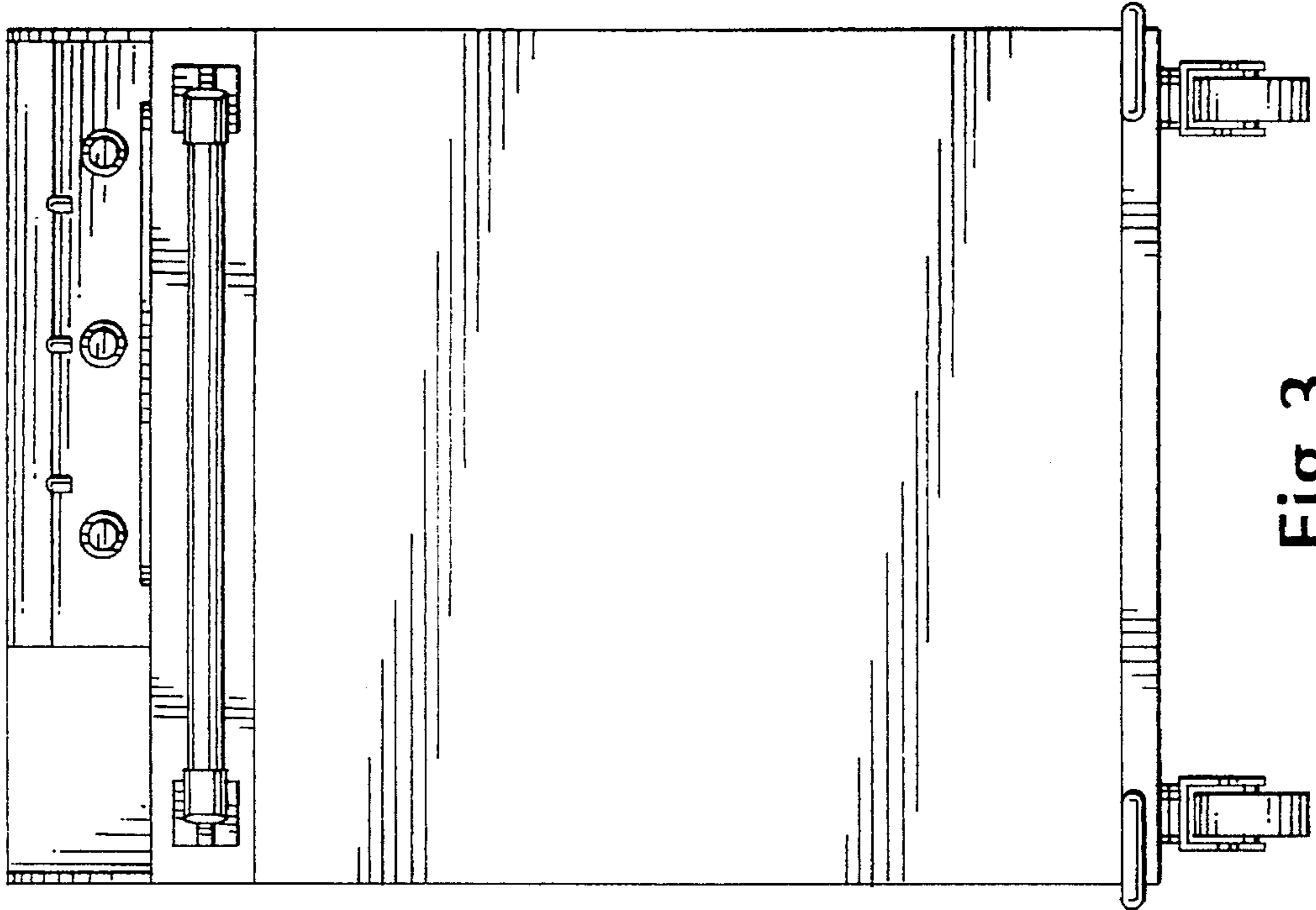


Fig. 3

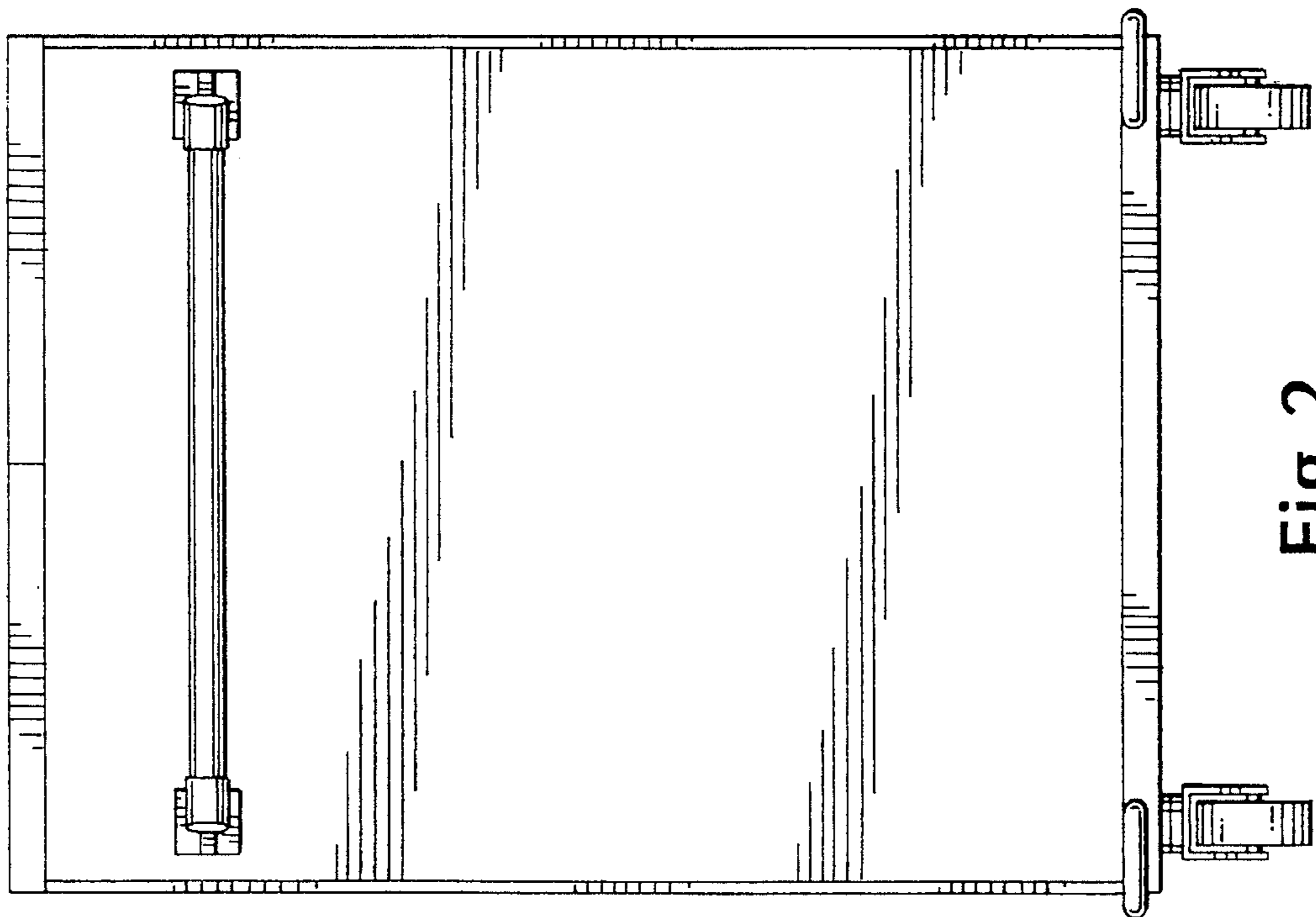


Fig. 2

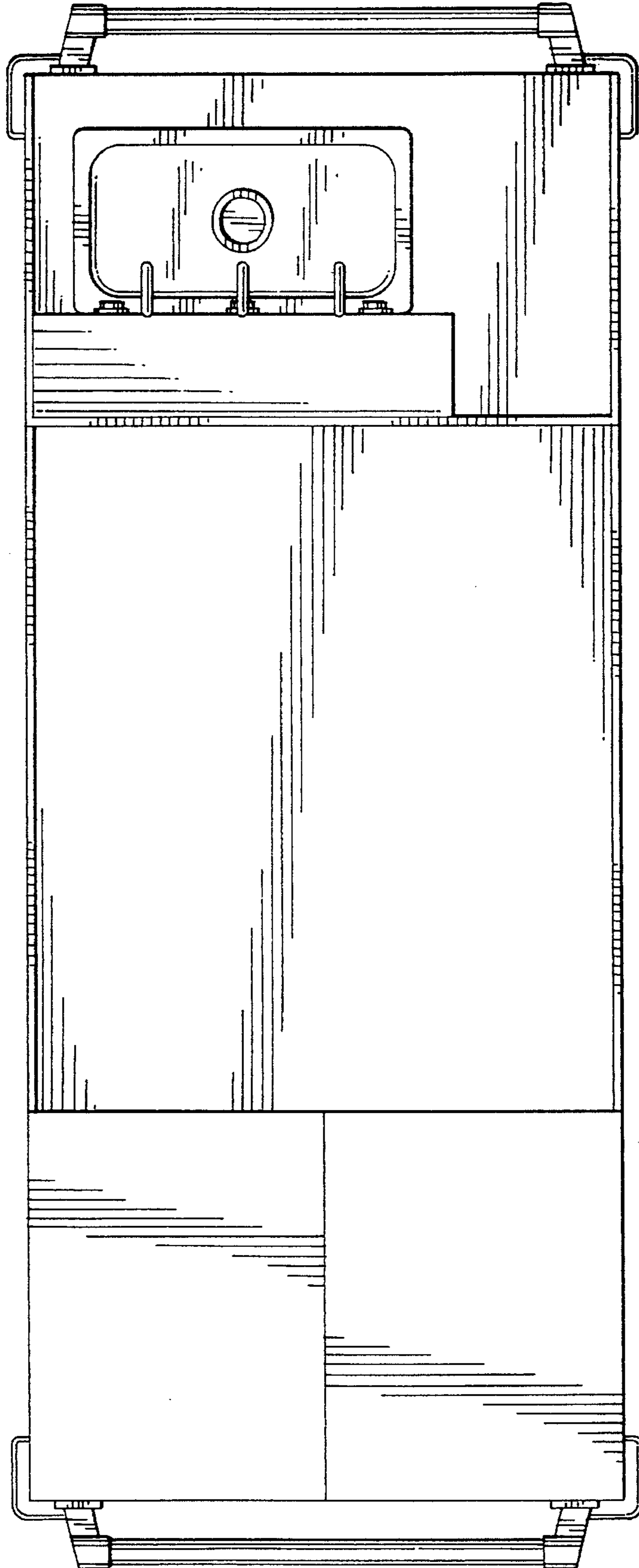


Fig. 4

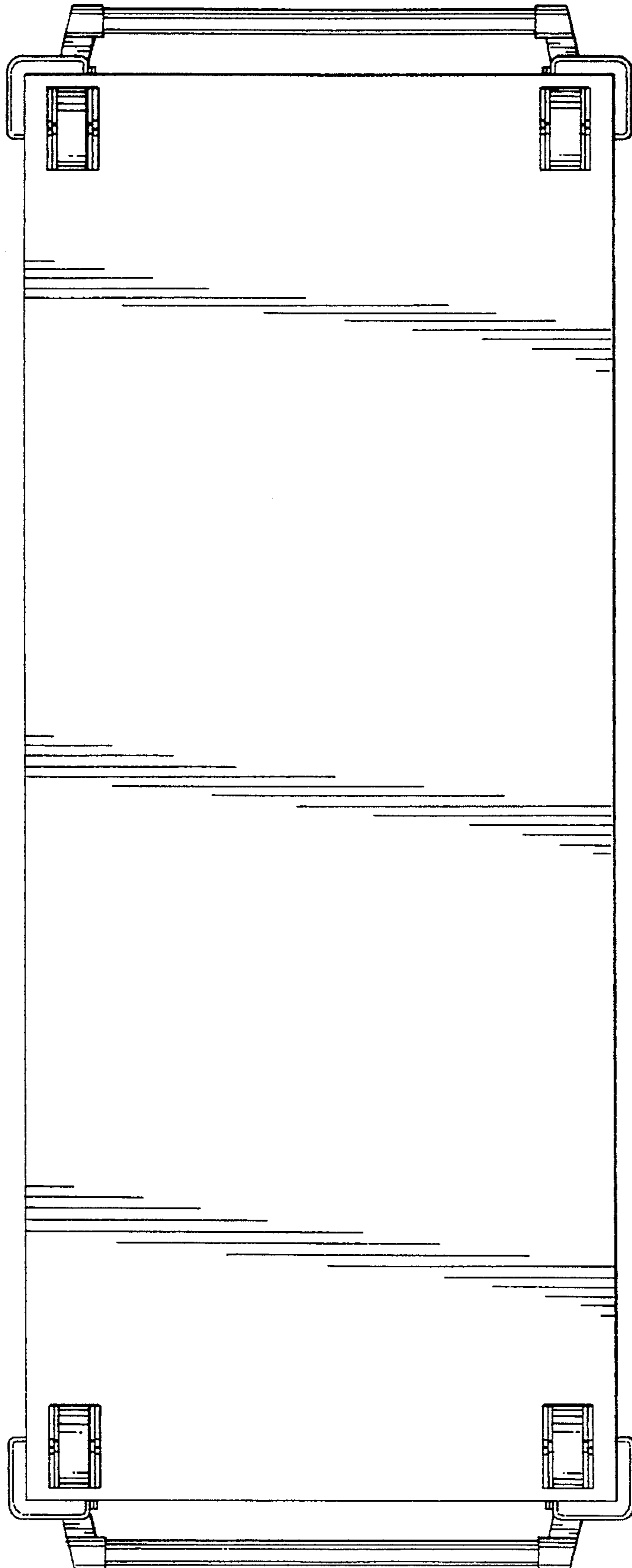


Fig. 5

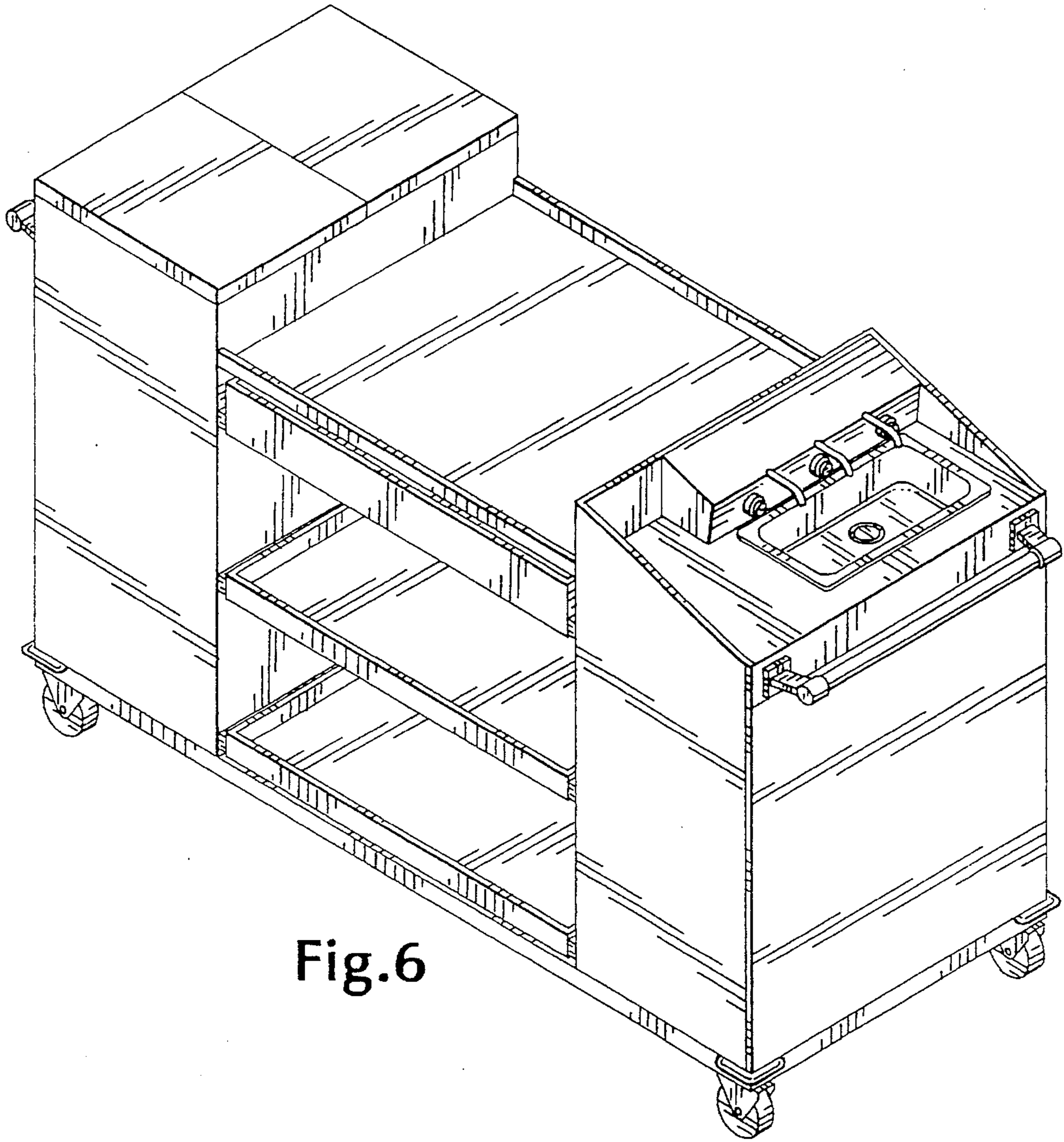


Fig. 6