



US00D374531S

United States Patent [19]

[11] Patent Number: **Des. 374,531**

Foster et al.

[45] Date of Patent: ****Oct. 8, 1996**

[54] **SANITARY MEAT PURGE ELIMINATOR**

[75] Inventors: **Robert C. Foster**, Coeur d'Alene; **Guy D. Forbes**, Post Falls, both of Id.

[73] Assignee: **F. & F. Enterprises, Inc.**, Coeur d'Alene, Id.

[**] Term: **14 Years**

[21] Appl. No.: **29,018**

[22] Filed: **Sep. 27, 1994**

[52] U.S. Cl. **D34/11; D7/667**

[58] Field of Search **220/369, 371, 220/373, DIG. 908, 571, 571.1; 206/567; D34/11, 7, 8; D9/435, 436, 456; D7/667, 668**

5,117,878	6/1992	Shaw et al.	141/333
5,143,178	9/1992	Latham, Jr.	184/106
5,172,739	12/1992	Ristroph	141/98
5,219,006	6/1993	Bishop	141/1
5,324,489	6/1994	Nichols et al.	220/371 X

FOREIGN PATENT DOCUMENTS

574819	12/1993	Germany	206/567
--------	---------	--------------	---------

Primary Examiner—B. J. Bullock
Assistant Examiner—Linda Brooks
Attorney, Agent, or Firm—Wells, St. John, Roberts, Gregory & Matkin P.S.

[57] CLAIM

The ornamental design for a sanitary meat purge eliminator, as shown and described.

DESCRIPTION

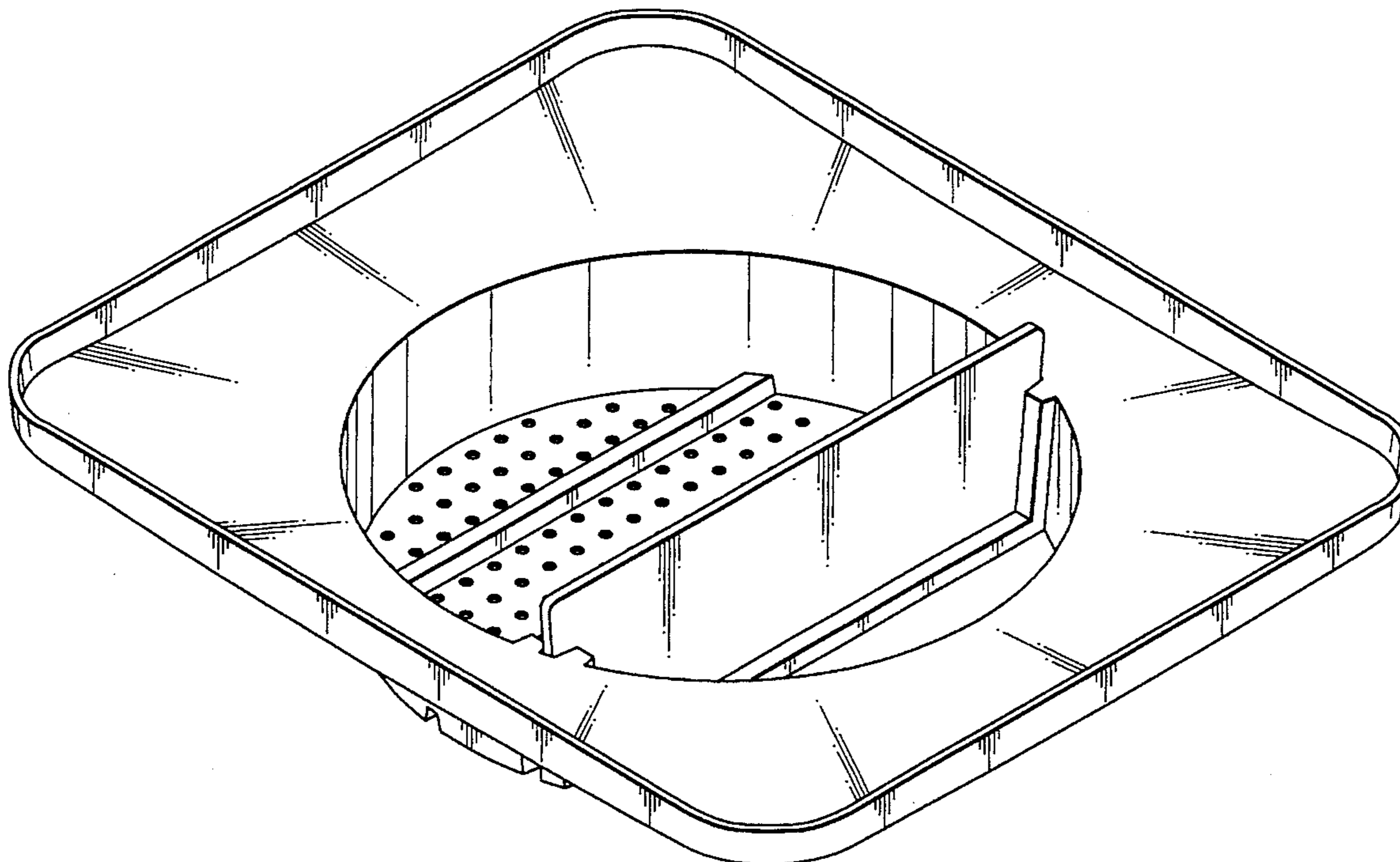
FIG. 1 is a top perspective view of the sanitary meat purge eliminator;
FIG. 2 is a bottom perspective view;
FIG. 3 is a plan view;
FIG. 4 is a front elevation view;
FIG. 5 is a side elevation view;
FIG. 6 is a sectional view taken along line 6—6 in FIG. 3, the broken line showing of the top of a waste receptacle being for illustrative purposes only and forming no part of the claimed design; and,
FIG. 7 is a sectional view taken along line 7—7 in FIG. 3.

1 Claim, 4 Drawing Sheets

References Cited

U.S. PATENT DOCUMENTS

D. 161,028	11/1950	Levin	D34/7
205,128	6/1878	Ortlip .	
272,415	2/1883	Crapon et al. .	
D. 308,002	5/1990	Dohrmann	D7/700
D. 342,531	12/1993	Commander et al.	D15/150
1,134,837	4/1915	Fox	141/331
1,222,390	4/1917	Gorham et al. .	
1,238,013	8/1917	Harper	141/331
1,471,122	10/1923	Greaves .	
2,467,949	4/1949	Thomas	141/331
5,018,559	5/1991	Branan	141/339



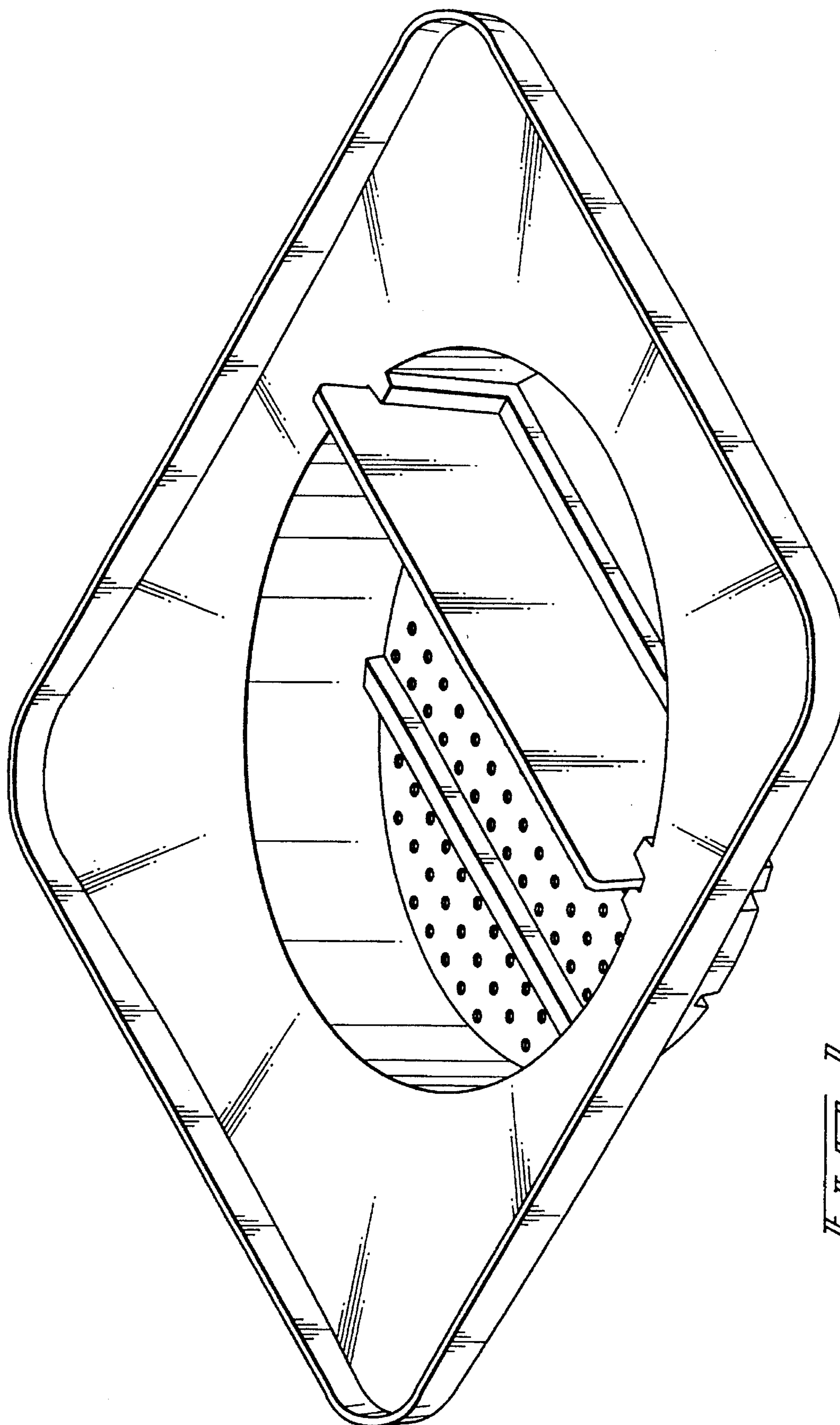
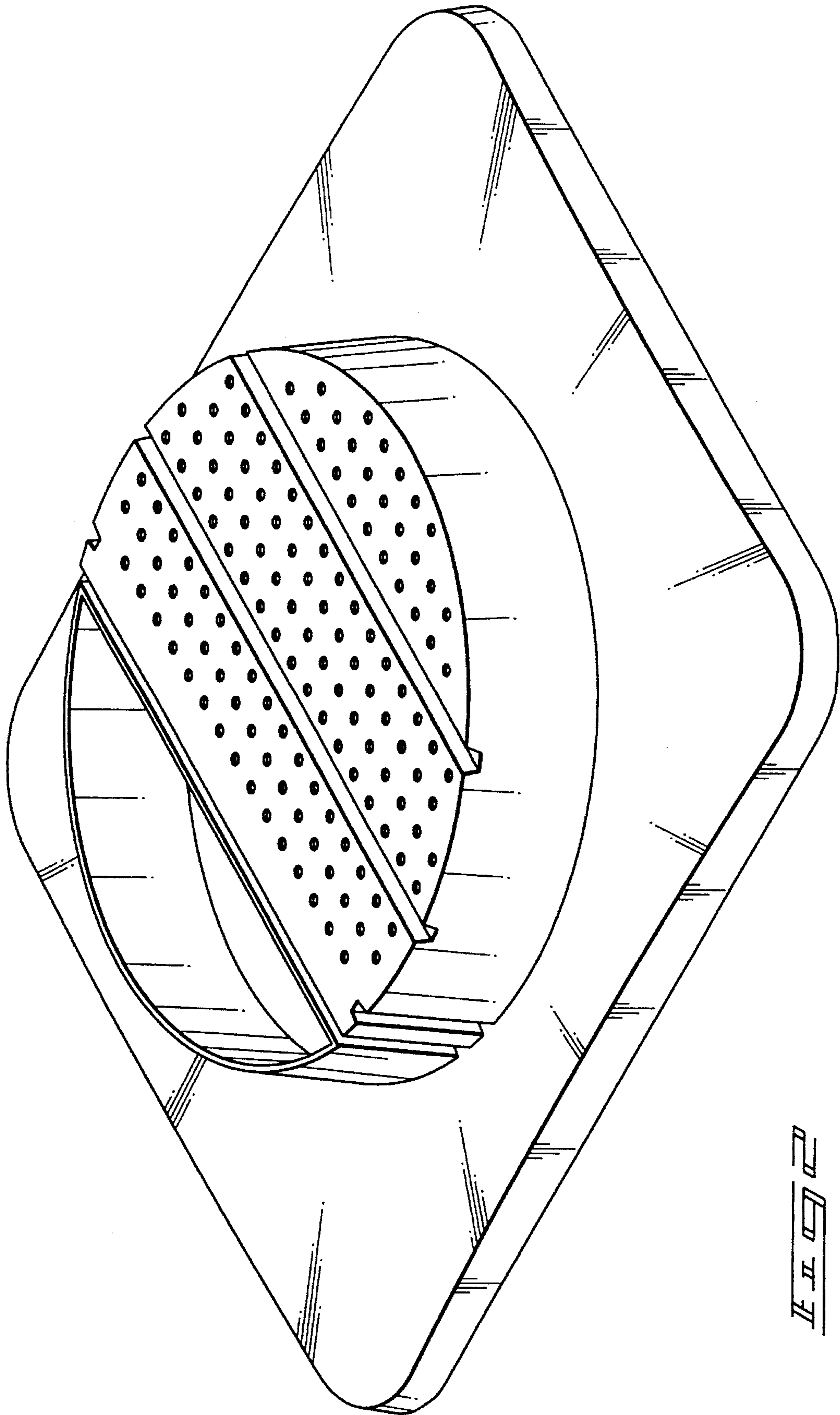
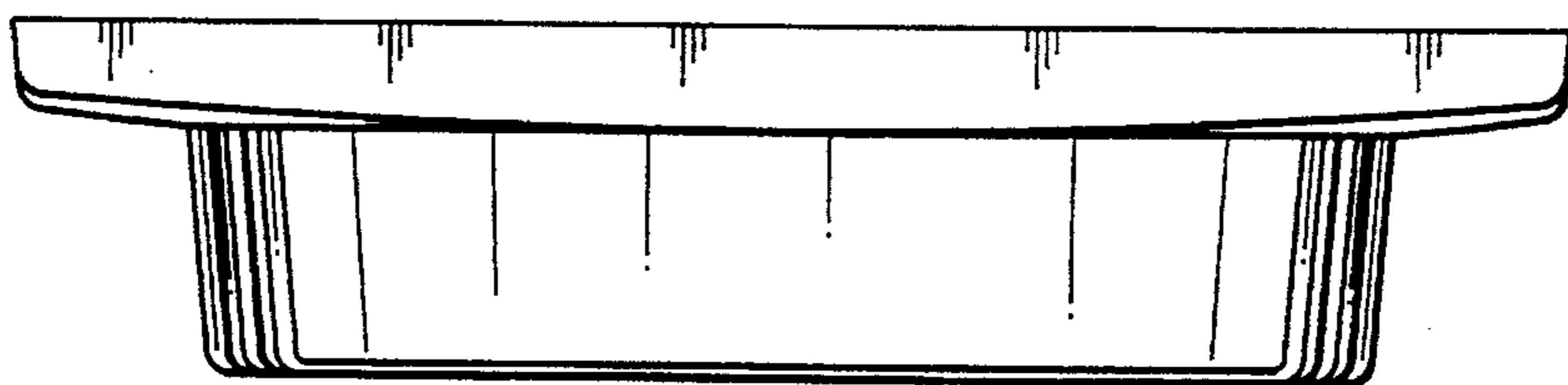
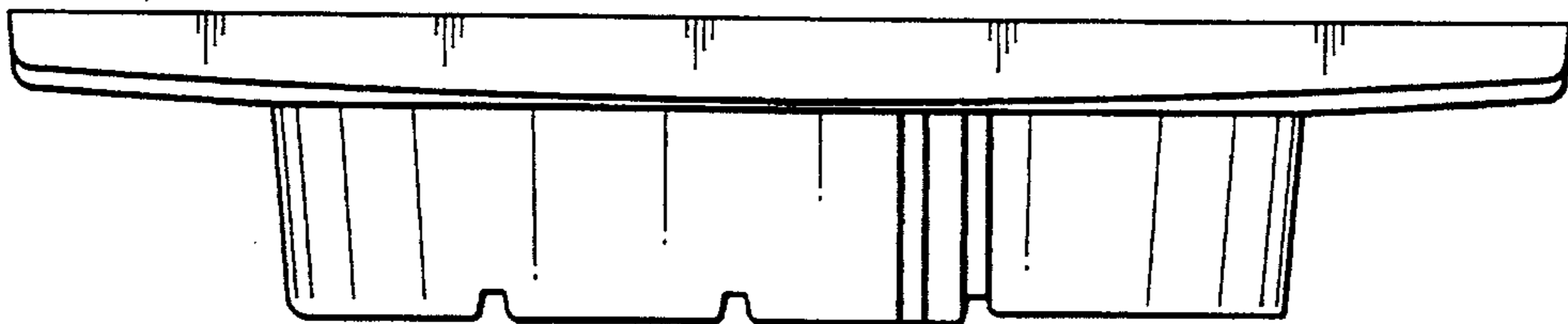
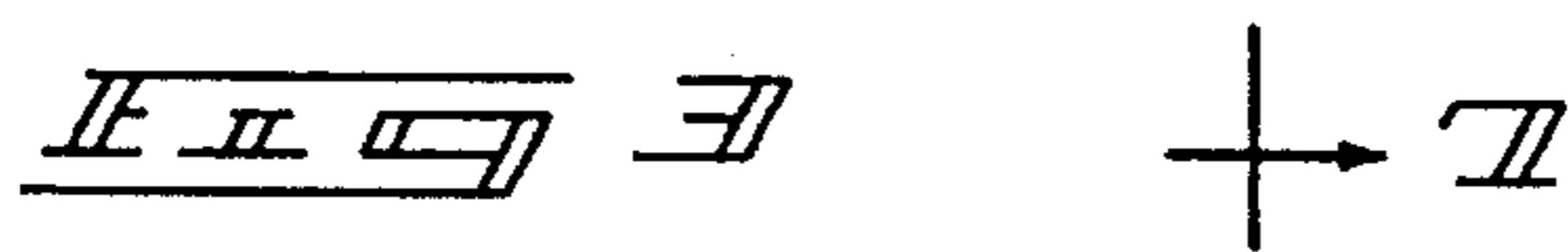
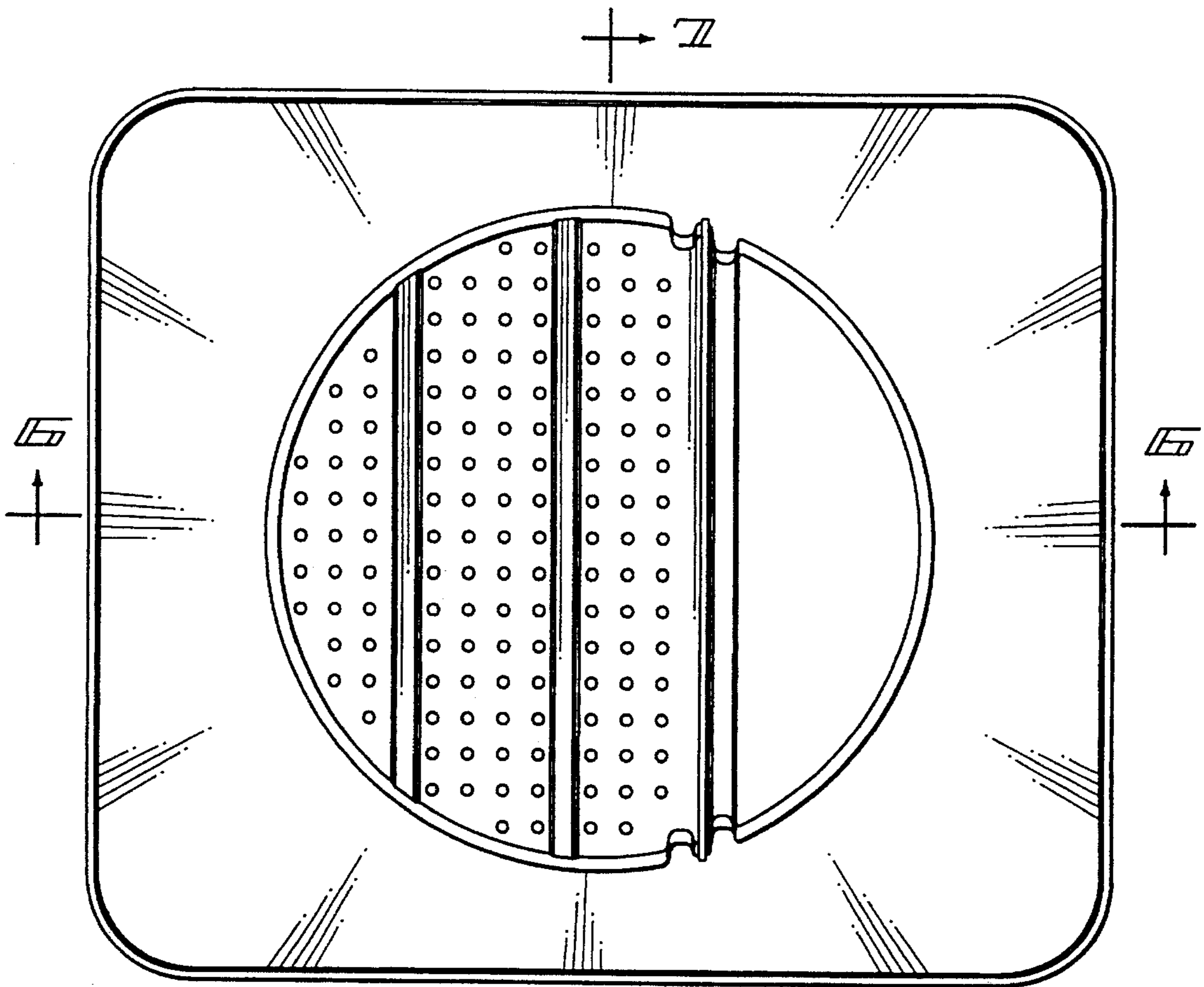


FIG. 1



20 10 10 2



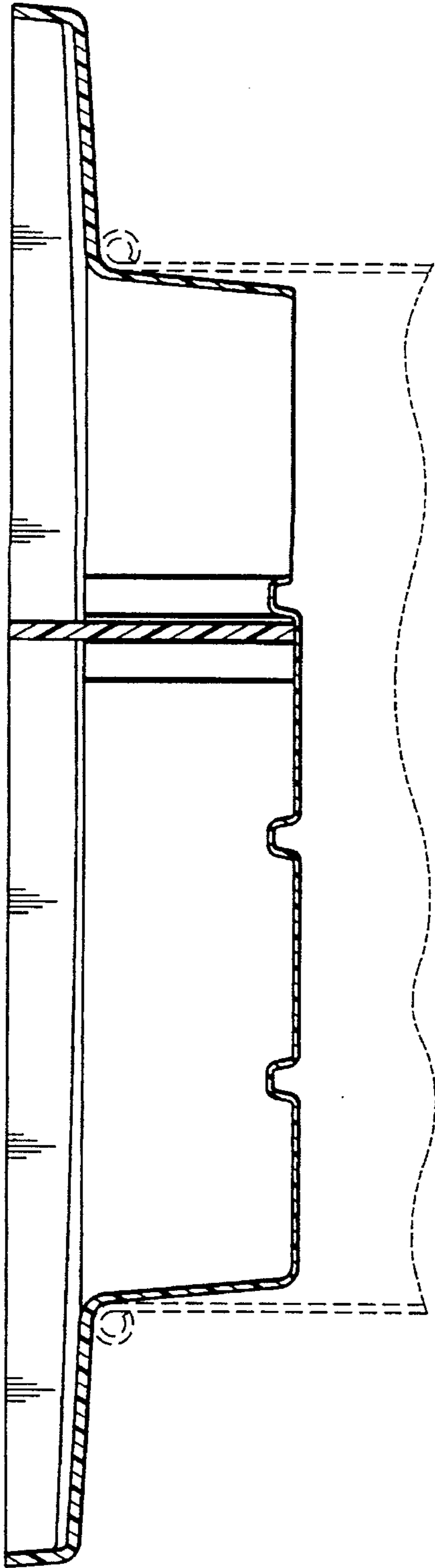


FIG. 4

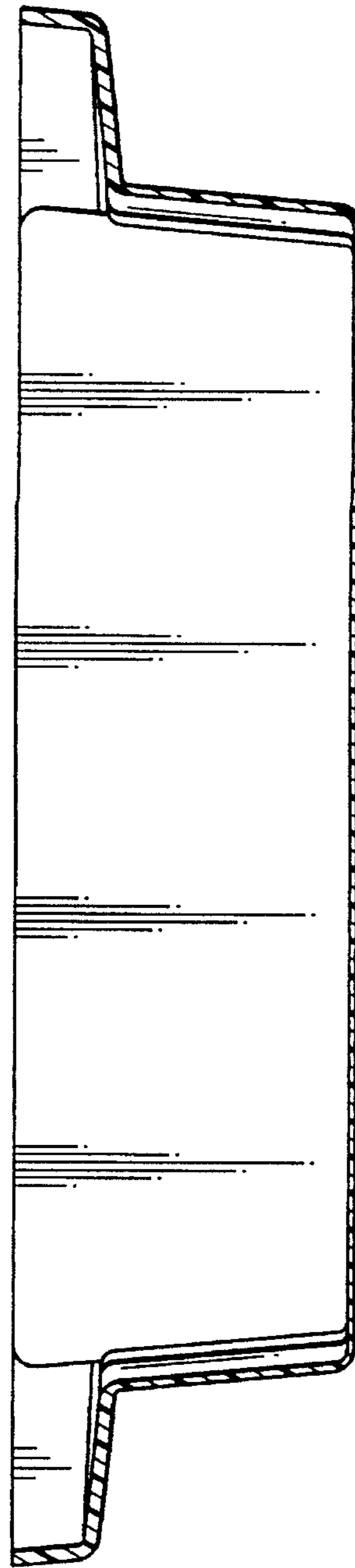


FIG. 5