



US00D374530S

United States Patent [19]

[11] **Patent Number: Des. 374,530**

Prout et al.

[45] **Date of Patent: **Oct. 8, 1996**

[54] **STOP BAR SUPPORT FOR REFUSE CONTAINER**

[75] Inventors: **J. Timothy Prout**, Winston-Salem; **Todd E. Wright**, Statesville; **Anthony J. Brescia**, Huntersville; **Smith E. Trent, III**, Statesville, all of N.C.

[73] Assignee: **Toter, Inc.**, Statesville, N.C.

[**] Term: **14 Years**

[21] Appl. No.: **37,246**

[22] Filed: **Apr. 7, 1995**

Related U.S. Application Data

[62] Division of Ser. No. 30,593, Nov. 3, 1994, Pat. No. Des. 365,428.

[52] **U.S. Cl.** **D24/10; D8/349**

[58] **Field of Search** D34/10, 11, 1, D34/5-7; 220/908-911, 340, 343, 334-337, 404; 232/43.2, 1 B; D8/349, 354, 315; D6/549, 550

References Cited

U.S. PATENT DOCUMENTS

D. 141,902	7/1945	Marateck	D6/549
D. 231,184	4/1974	Brown et al.	D34/5
D. 253,503	11/1979	Albert	D6/549
D. 292,638	11/1987	Carville	D34/5
D. 345,240	3/1994	Celentani	D34/1
5,217,136	6/1973	Sanden	220/334

OTHER PUBLICATIONS

Brochure Entitled "Atlas® Carts", Toter®, Incorporated; Jun. 1993.

Brochure Entitled "If Its Tough Enough For These Streets It's Tough Enough for Yours"; Toter, Incorporated, Apr. 1992.

Brochure Entitled "We're Rolling Out America's First Injection-Molded Cart."; Otto; 1992.

Brochure entitled, "The Front Line in Refuse Collection"; Otto; 1989.

Brochure entitled "Size Wise"; Otto; 1992.

Brochure entitled "Dual Superiority"; RRS Industries, Inc.; 1988.

Brochure entitled "Quality Makes The Difference"; 1991; Schaefer Systems International, Inc.

Primary Examiner—A. Hugo Word

Assistant Examiner—Robin V. Taylor

Attorney, Agent, or Firm—Rhodes, Coats & Bennett

[57] CLAIM

The ornamental design for a stop bar support for refuse container, as shown and described.

DESCRIPTION

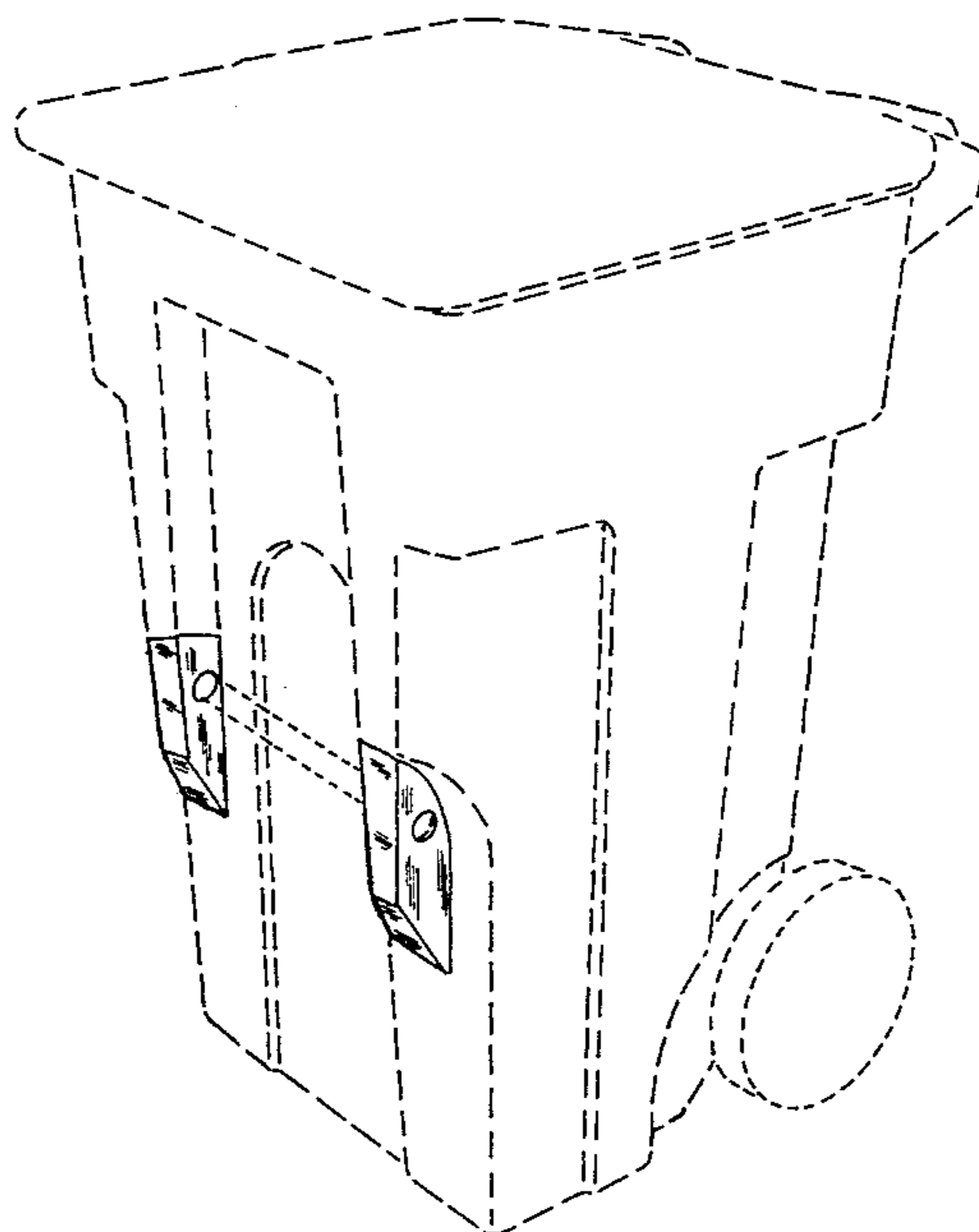
FIG. 1 is a front perspective view of a stop bar support for refuse container showing our new design;

FIG. 2 is a front view thereof; and,

FIG. 3 is a side view thereof, the other side being a mirror image.

The broken line showing of a refuse container is for illustrative purposes only and forms no part of the claimed design.

1 Claim, 2 Drawing Sheets



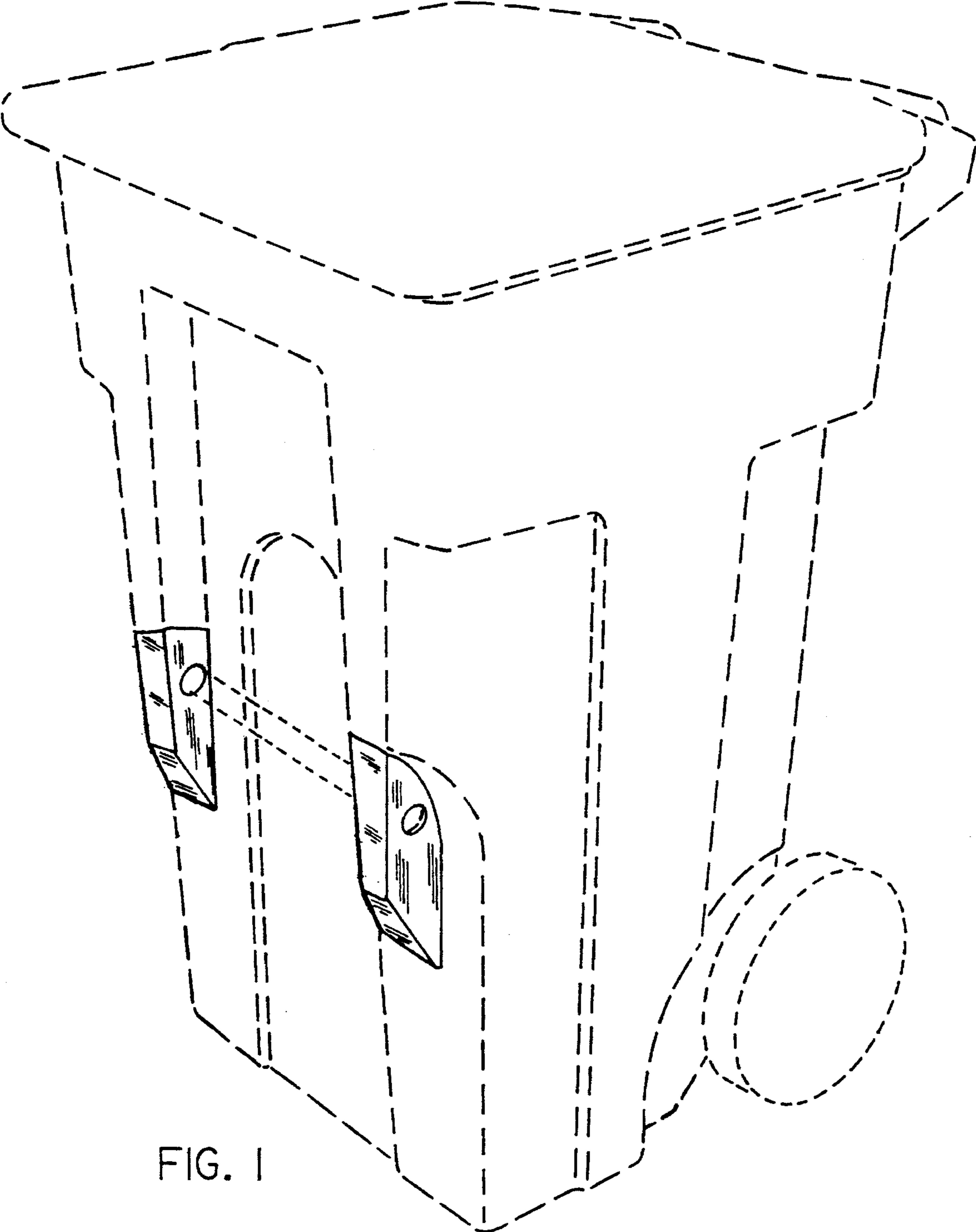


FIG. 1

FIG. 2

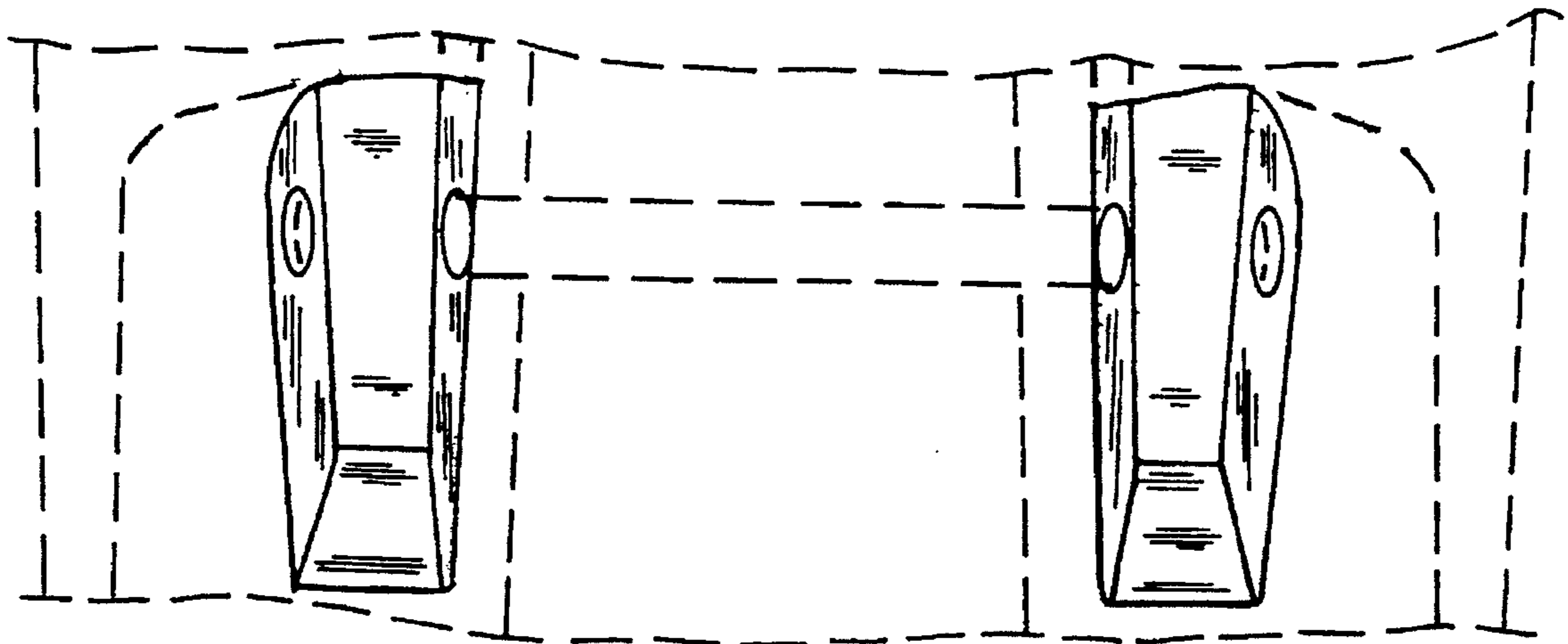


FIG. 3

