



US00D374526S

United States Patent [19]

[11] Patent Number: **Des. 374,526**

Breen et al.

[45] Date of Patent: ****Oct. 8, 1996**

[54] DISH DRAINER

[75] Inventors: **John D. Breen**, Wooster; **Stephen P. Casteel**, Wadsworth; **Charles W. Craft**, Apple Creek, all of Ohio

[73] Assignee: **Rubbermaid Incorporated**, Wooster, Ohio

[**] Term: **14 Years**

[21] Appl. No.: **42,879**

[22] Filed: **Aug. 21, 1995**

[52] U.S. Cl. **D32/55**

[58] Field of Search D32/55-57; D6/462; 4/637, 656; 211/41; 220/571, 572, 487, 488

[56] References Cited

U.S. PATENT DOCUMENTS

D. 164,197	8/1951	Planeta	D44/29
D. 174,073	2/1955	Bliss	D44/29
D. 212,301	9/1968	Taylor	D44/29
D. 214,524	6/1969	Taylor	D44/29
D. 221,678	8/1971	Gottsegen	D32/55
D. 259,537	6/1981	Taylor	D7/188
D. 265,262	6/1982	Taylor	D32/55
D. 268,878	5/1983	Taylor	D32/55
D. 271,340	11/1983	Taylor	D32/55
D. 345,834	4/1994	Craft et al.	D32/55
D. 353,921	12/1994	Lippisch et al.	D32/55
D. 353,922	12/1994	Drake	D32/55
D. 353,923	12/1994	Drake	D32/55
1,682,654	8/1928	Andrews .	
1,762,174	6/1930	Morris .	
2,697,525	12/1954	Breneman	211/41
2,864,509	12/1958	Watral	211/41
2,885,087	5/1959	Bliss	220/487
3,027,041	3/1962	Stansbury, Jr. et al.	220/21
3,442,395	5/1969	Taylor	211/41
4,221,299	9/1980	Taylor	211/41
4,372,448	2/1983	Drach	211/41
4,726,475	2/1988	Ferenzi	211/126
5,158,184	10/1992	Craft	211/41
5,385,261	1/1995	Lippisch et al.	220/572

OTHER PUBLICATIONS

P. 16, Dish drainers; Tucker Housewares, 25 Tucker Drive, Leominster, Massachusetts 01469. Published at least as early as Dec., 1991.

Sell sheet, Dish drainer; Ingrid, 1419 Lake Cook Road, Suite 200, Deerfield, Illinois 60015. Published at least as early as Dec., 1991.

Catalog page, Dish drainers; Tucker Housewares, 25 Tucker Drive, Leominster, Massachusetts 01469. Publication date Jan., 1992.

Catalog page, Dish drainer; Nova Housewares, c/o Kader Plastics Pty. Ltd., Hume Highway, P.O. Box 42, Craigieburn, Victoria 3064, Australia. Published at least as early as 1991.

Catalog page, Dish drainers; Sterilite, 198 Main Street, P.O. Box 524, Townsend, Massachusetts 01469. Published at least as early as 1987.

Sell sheet, Dish drainers; Transco Housewares, A Division of Laich Industries, 13225 Lakewood Heights Boulevard, Cleveland, Ohio 44107-6289. Publication date Jan., 1989.

(List continued on next page.)

Primary Examiner—A. Hugo Word

Assistant Examiner—Robin V. Taylor

Attorney, Agent, or Firm—Richard B. O'Planick; Lisa B. Riedesel

[57] CLAIM

The ornamental design for a dish drainer, as shown and described.

DESCRIPTION

FIG. 1 is a top left front perspective view of a dish drainer showing our new design;

FIG. 2 is a front elevational view thereof; the rear elevational view being a mirror image;

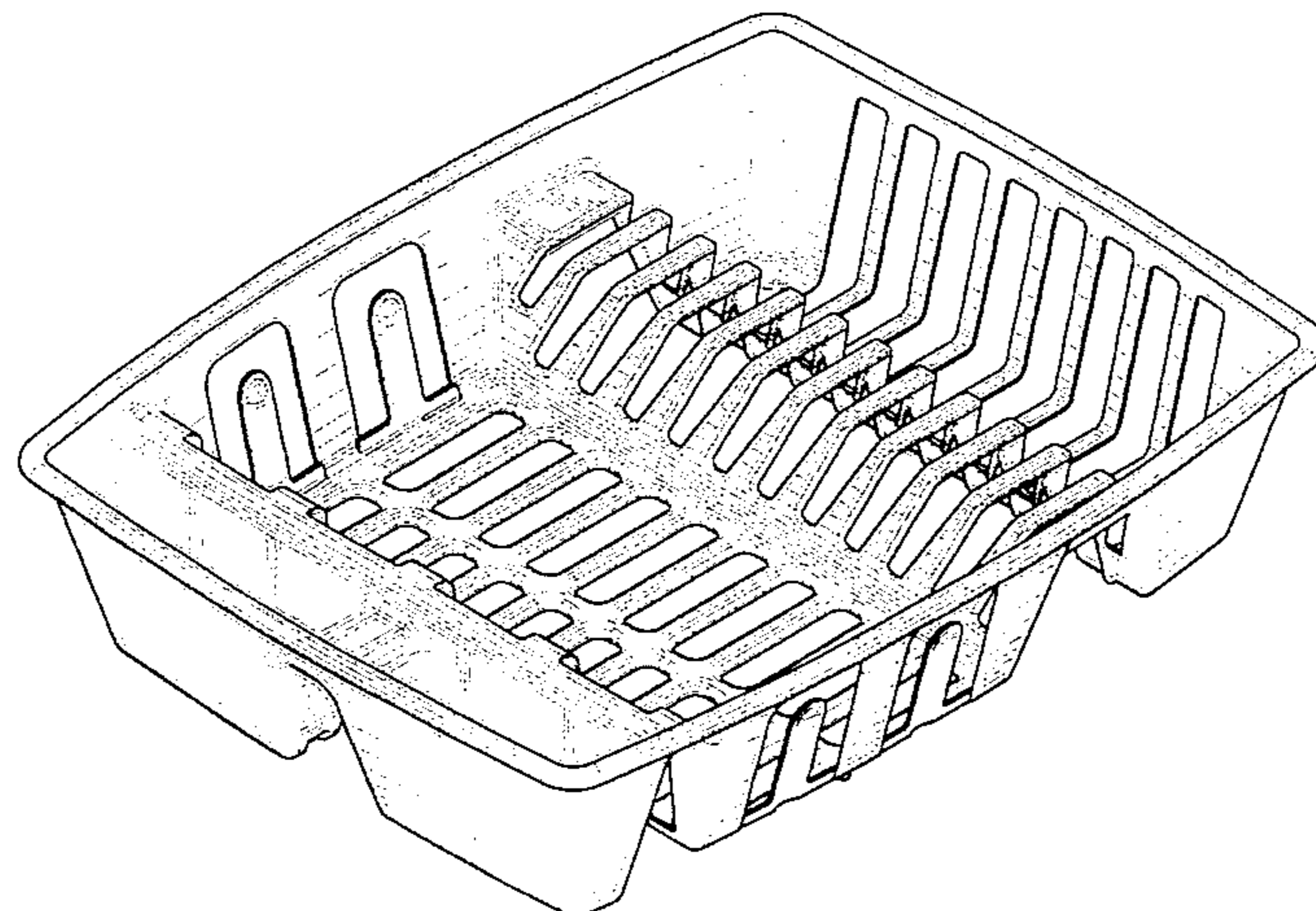
FIG. 3 is a top plan view thereof;

FIG. 4 is a left side elevational view thereof;

FIG. 5 is a right side elevational view thereof; and,

FIG. 6 is a bottom plan view thereof.

1 Claim, 5 Drawing Sheets



OTHER PUBLICATIONS

P. 13, Dish drainers; Curver, Takkebijsters 75, Postbus 6810, 4802 HV Breda, The Netherlands. Publication date 1983.

P. 10, Dish drainers; Curver, Takkebijsters 75, Postbus 6810, 4802 HV Breda, The Netherlands. Publication date 1991.

P. 12, Dish drainers; Injecta Plastics, B.P. 99, 01103 Oyonnax Cedex, France. Publication date 1994.

Catalog page, Dish drainers; Dupol-Rubbermaid GmbH, An der Trift 63, D-6072 Dreieich, West Germany. Publication date 1988.

P. 14, Dish drainers; Rubbermaid, Takkebijsters 75, Postbus 6810, 4802 HV Breda, The Netherlands. Publication date 1991.

P. 6, Dish drainers; Rubbermaid Incorporated, 1147 Akron Road, Wooster, Ohio 44691. Publication date 1986.

P. 5, Dish drainers; Rubbermaid Incorporated, 1147 Akron Road, Wooster, Ohio 44691. Publication date 1990.

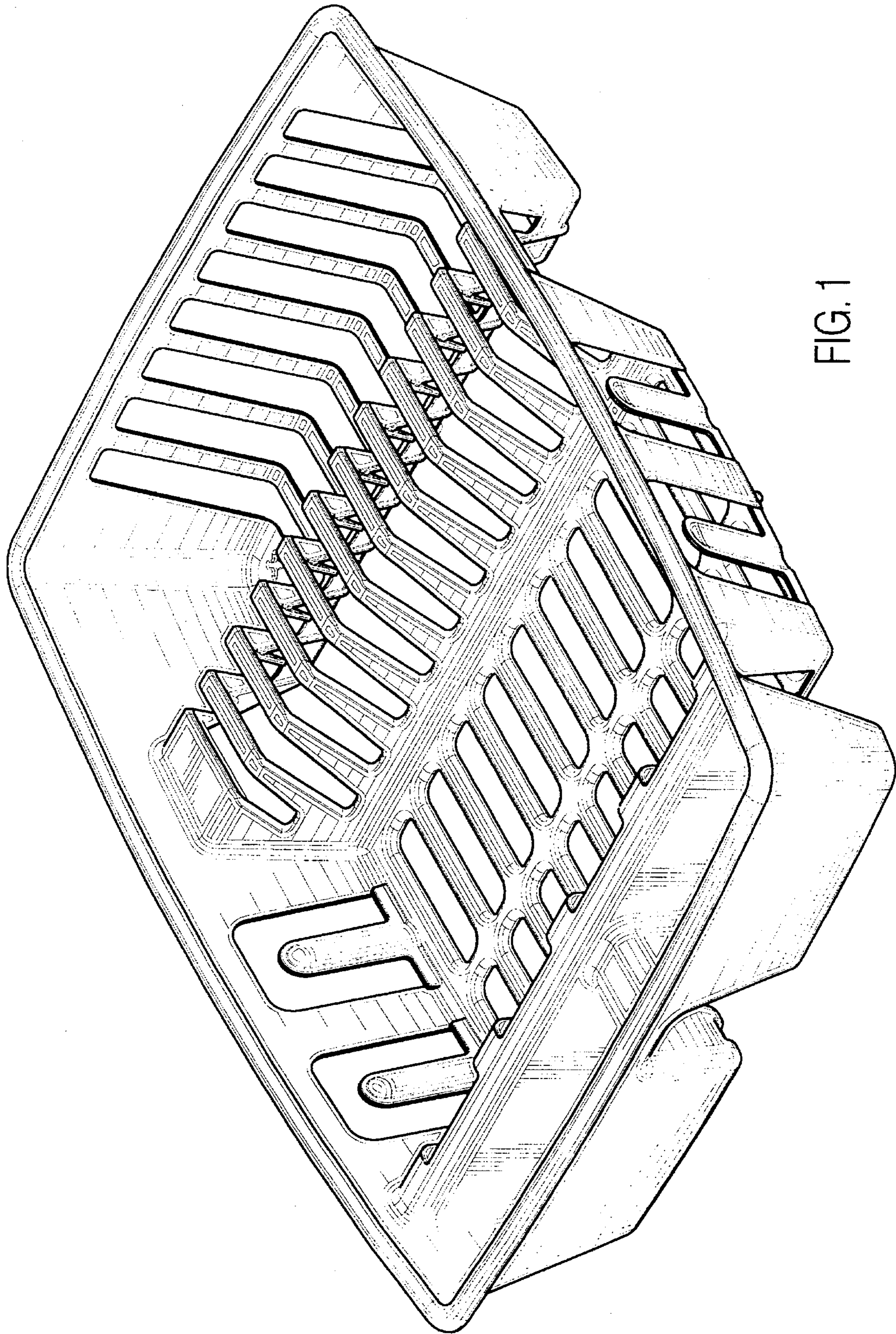


FIG. 1

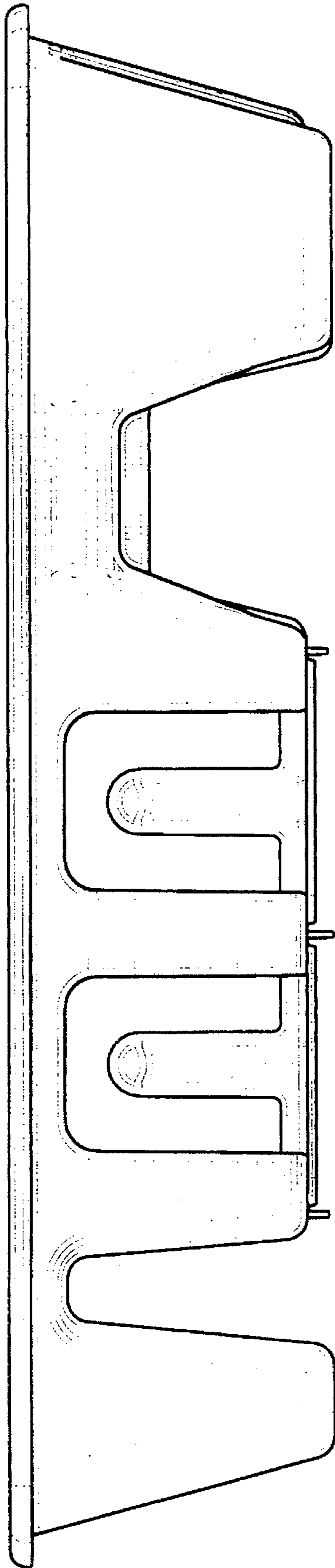
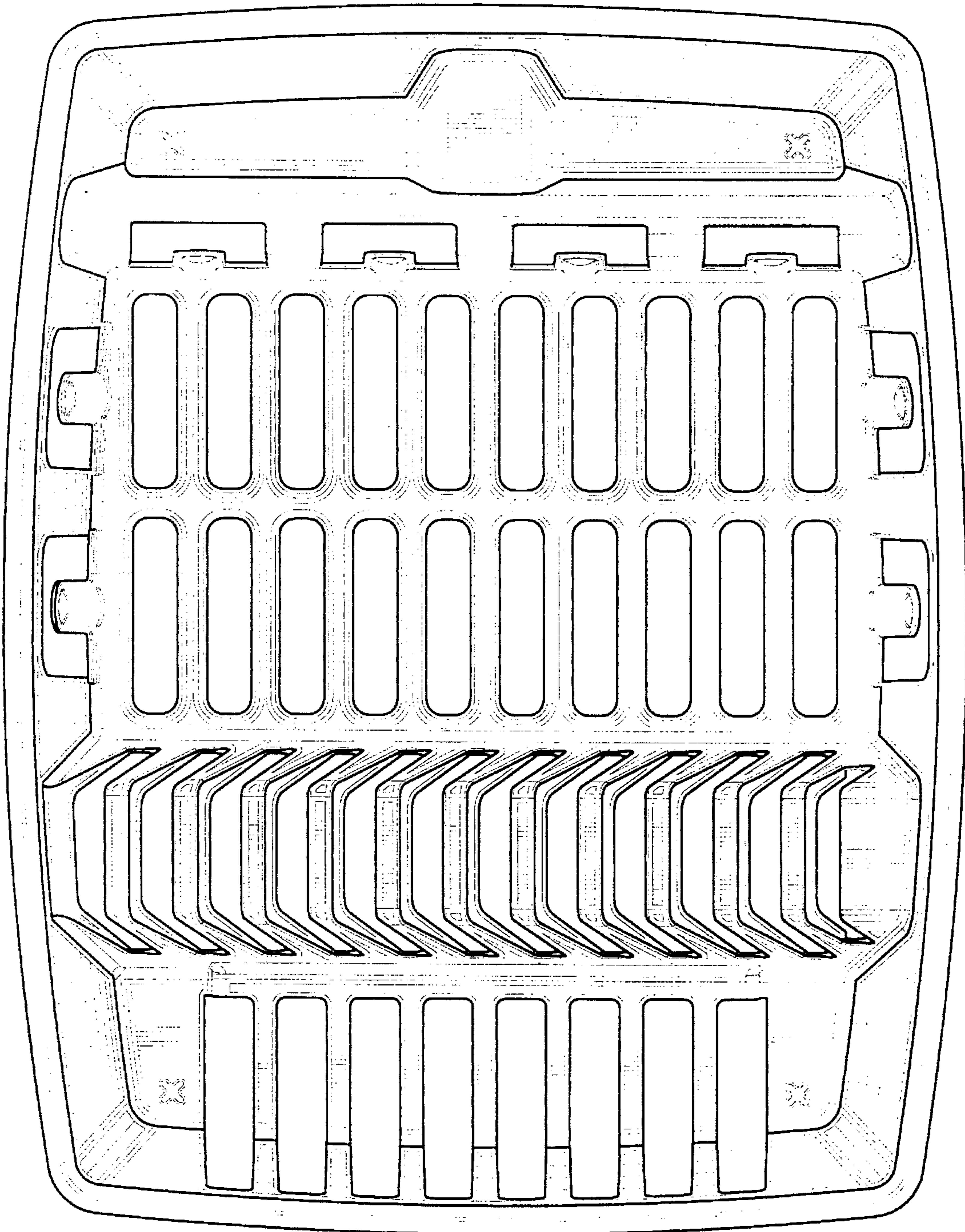


FIG. 2

FIG. 3



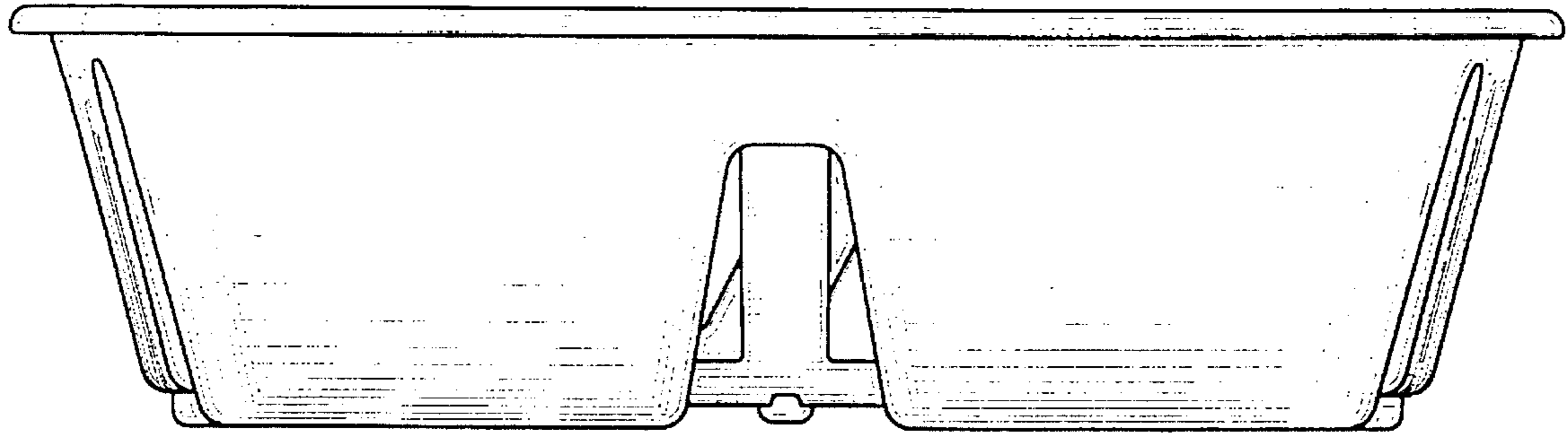


FIG. 4

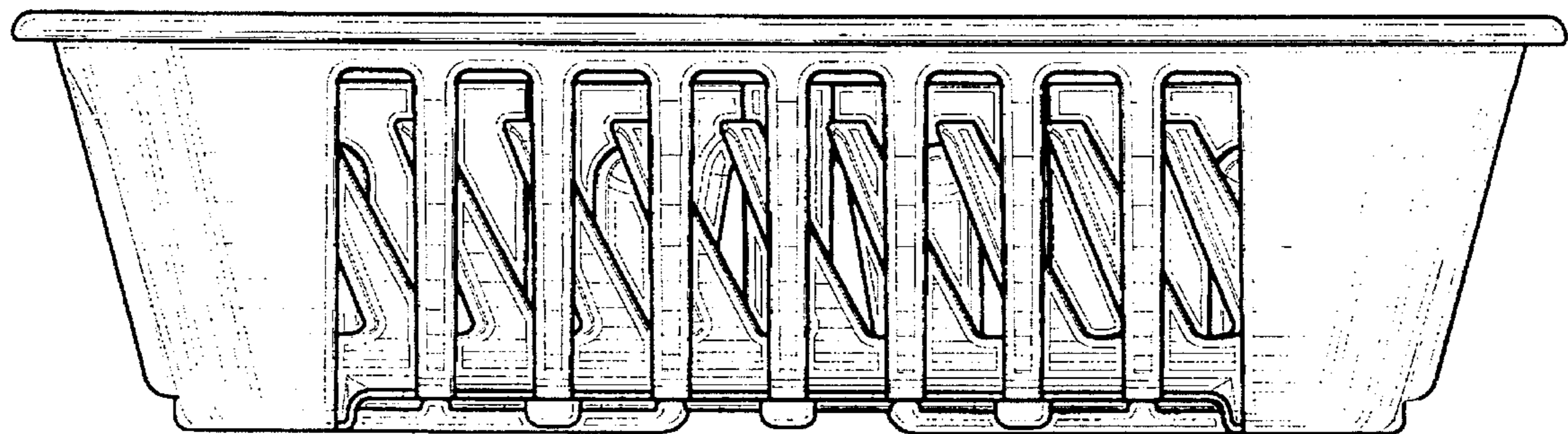


FIG. 5

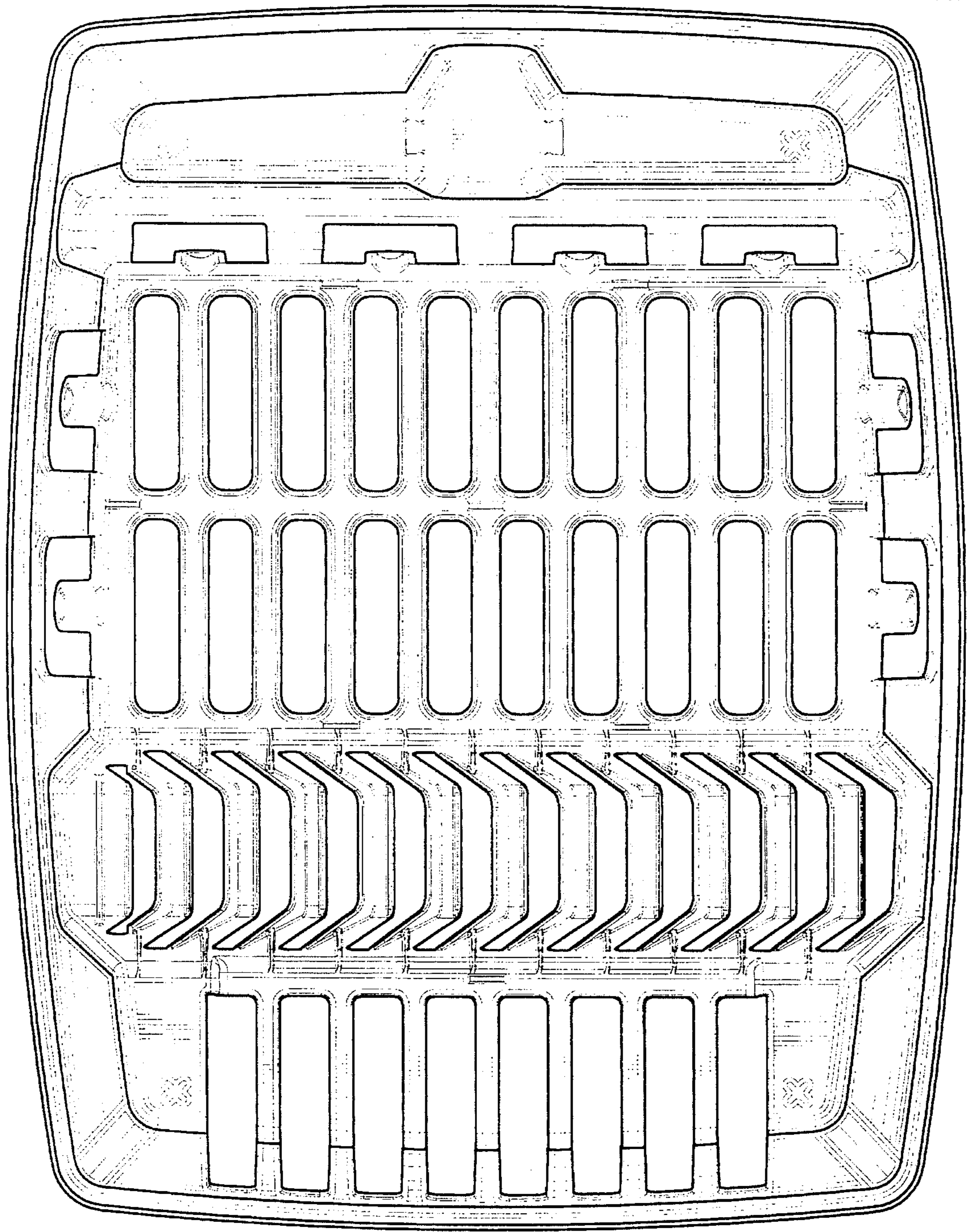


FIG. 6