



US00D374522S

United States Patent [19]

Fan et al.

[11] Patent Number: **Des. 374,522**

[45] Date of Patent: ****Oct. 8, 1996**

[54] **CARPET CLEANER**

[75] Inventors: **Jack Fan**, Taichung City, Taiwan;
William R. Brokaw, Kirkland, Wash.

[73] Assignee: **AquaBroom Products Corporation**,
Kirkland, Wash.

[**] Term: **14 Years**

[21] Appl. No.: **34,225**

[22] Filed: **Jan. 30, 1995**

[52] U.S. Cl. **D32/21**

[58] Field of Search D32/21, 24, 30-31,
D32/18, 15-16; 15/320, 321, 322, 327.1,
327.2

[56] **References Cited**

U.S. PATENT DOCUMENTS

D. 258,963	4/1981	Phillips	D32/16
D. 274,380	6/1984	Palmer	D32/16
D. 290,054	5/1987	Block	D32/15

D. 316,765	5/1991	Wulff	D32/16
D. 337,185	7/1993	Wulff	D32/15
D. 338,989	8/1993	Ambrosiano	D32/15

Primary Examiner—Ruth McInroy
Attorney, Agent, or Firm—Kolisch, Hartwell, Dickinson,
McCormack & Heuser

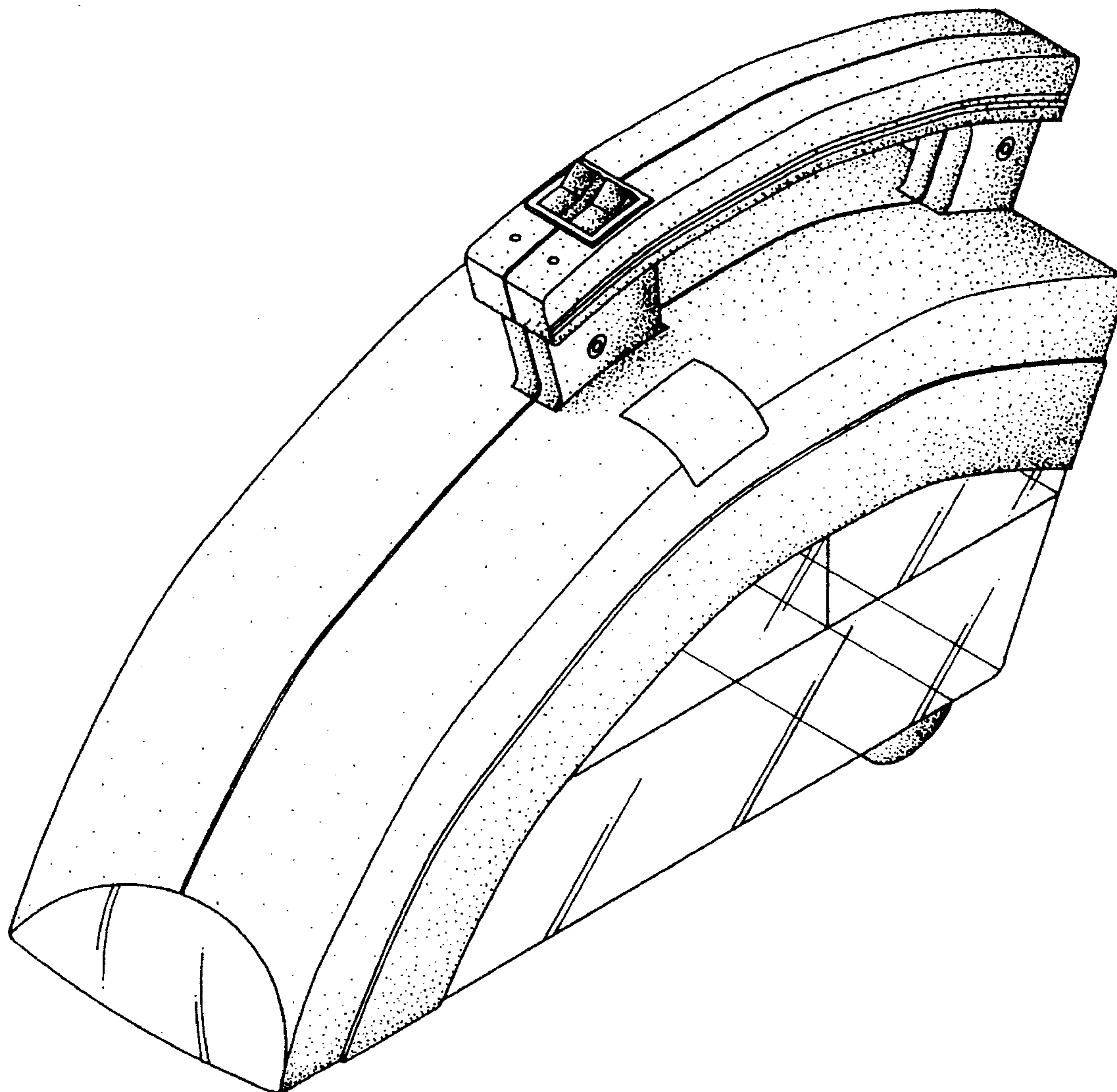
[57] **CLAIM**

The ornamental design for a carpet cleaner, as shown and described.

DESCRIPTION

FIG. 1 is a front-left-top perspective view of a carpet cleaner, showing my new design;
FIG. 2 is a front elevational view thereof;
FIG. 3 is a rear elevational view thereof;
FIG. 4 is a top plane view thereof;
FIG. 5 is a bottom plane view thereof;
FIG. 6 is a left elevational view thereof; and,
FIG. 7 is a right elevational view thereof.

1 Claim, 5 Drawing Sheets



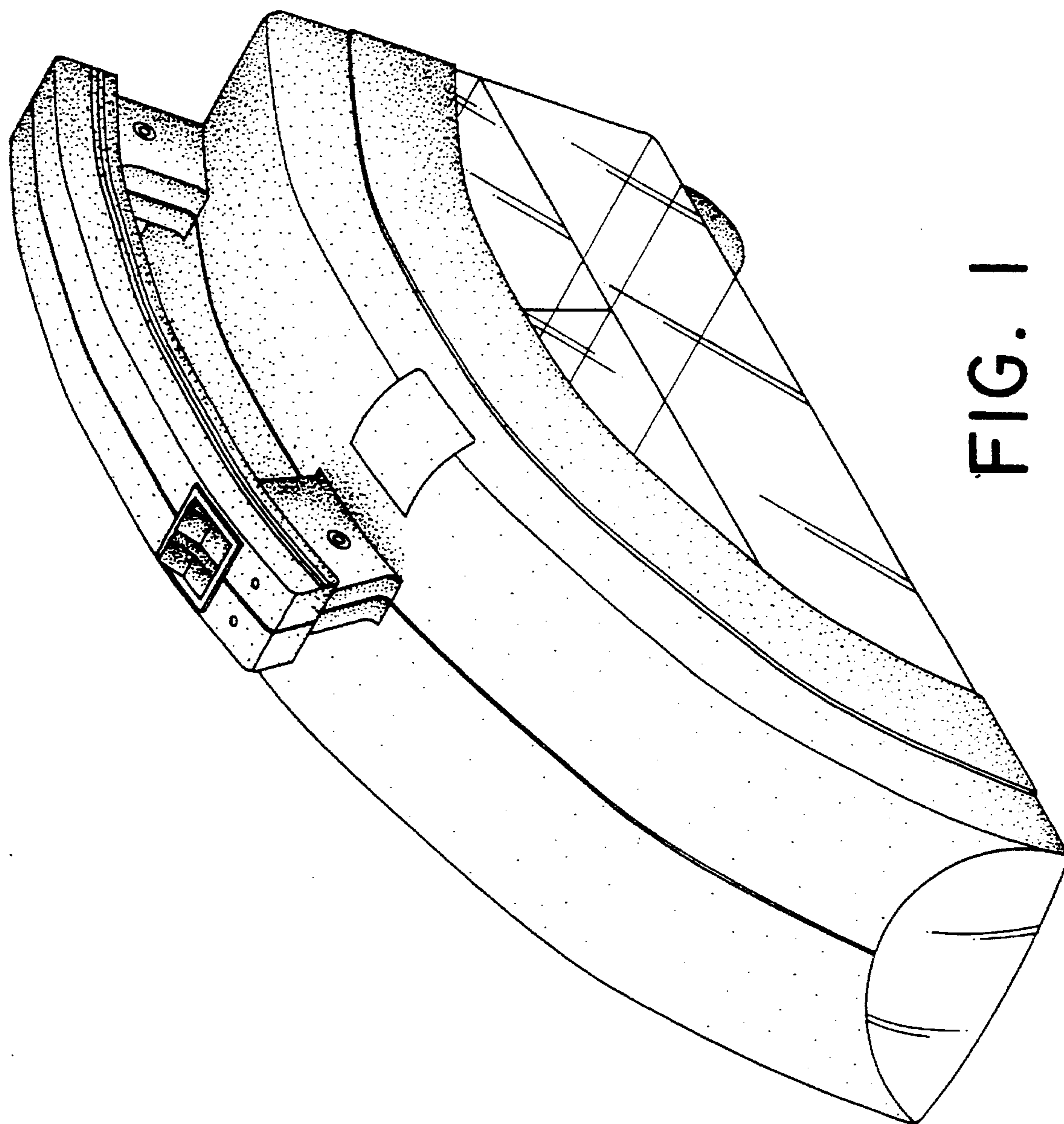


FIG. 1

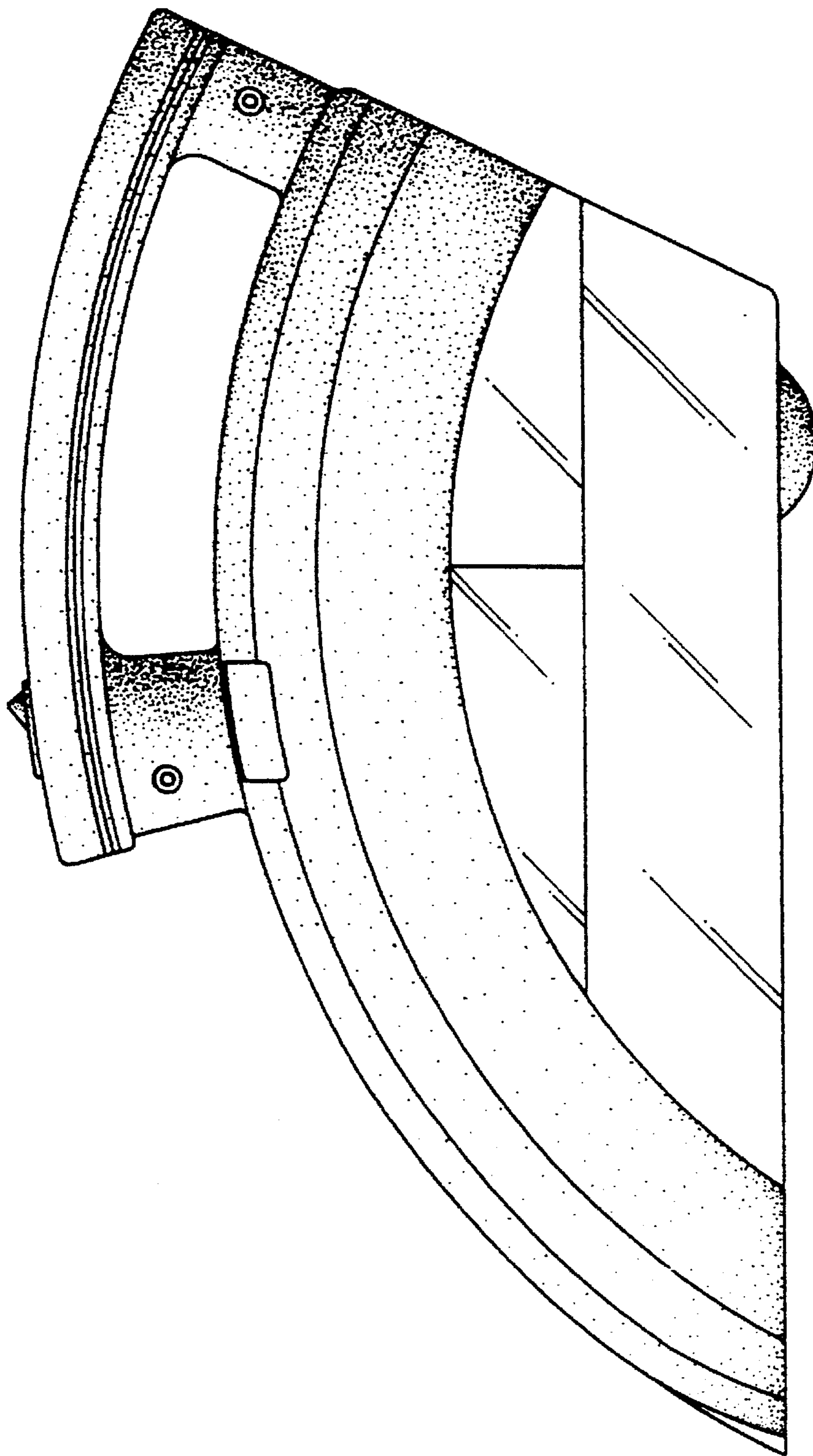


FIG. 2

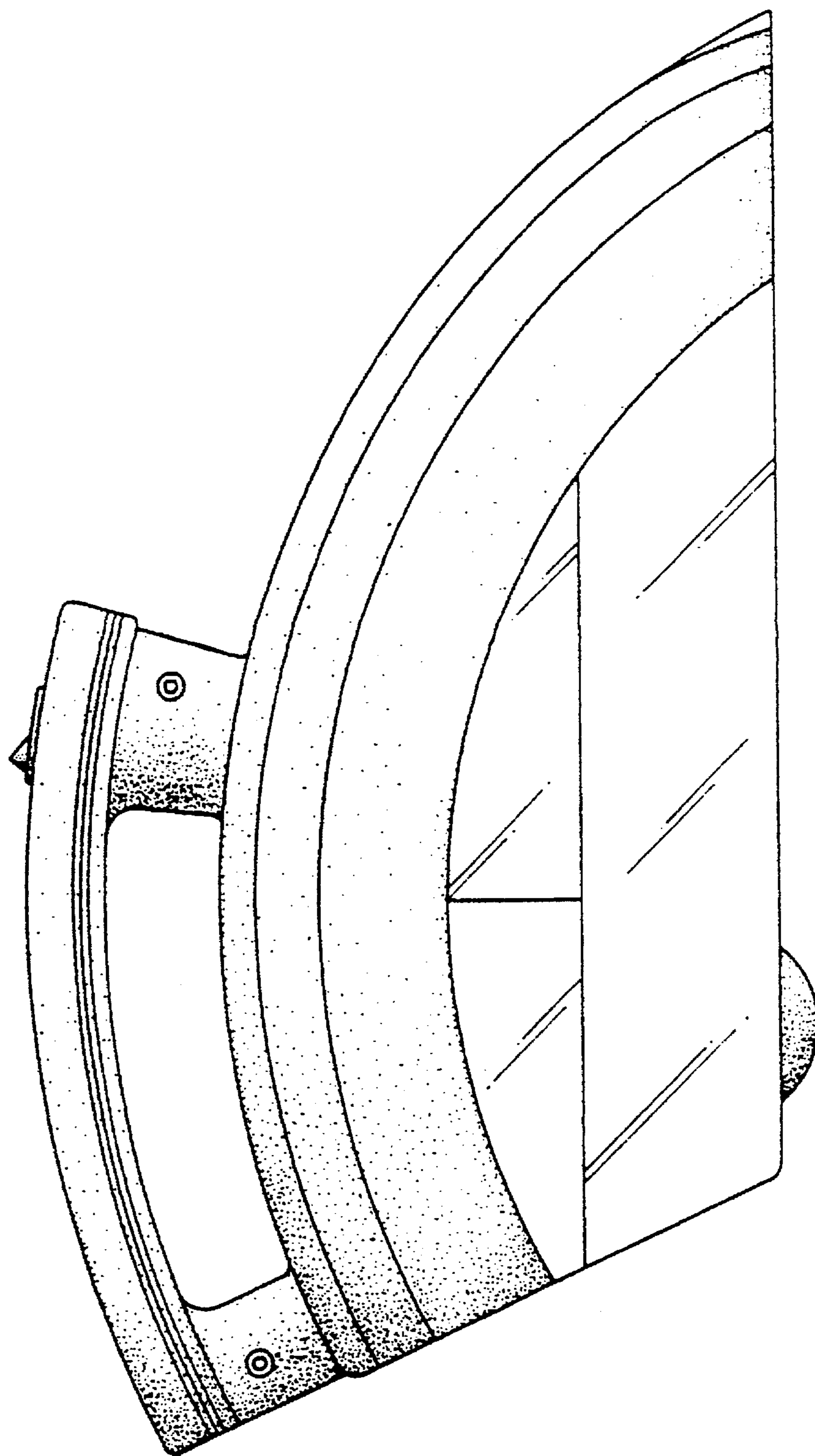


FIG. 3

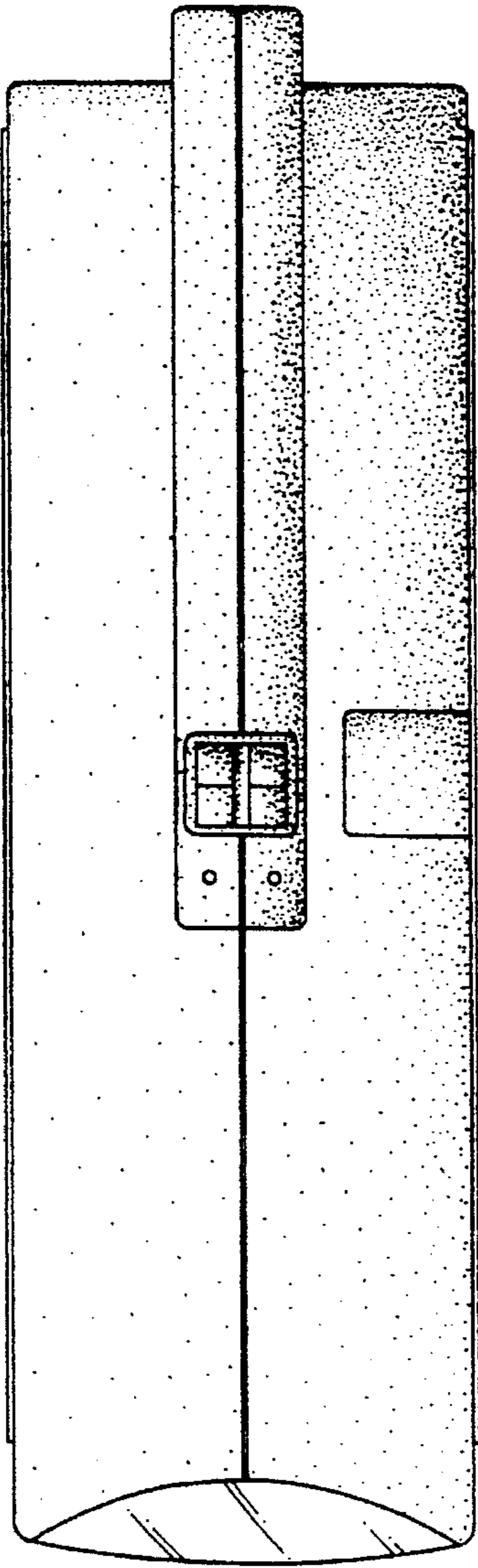


FIG. 4

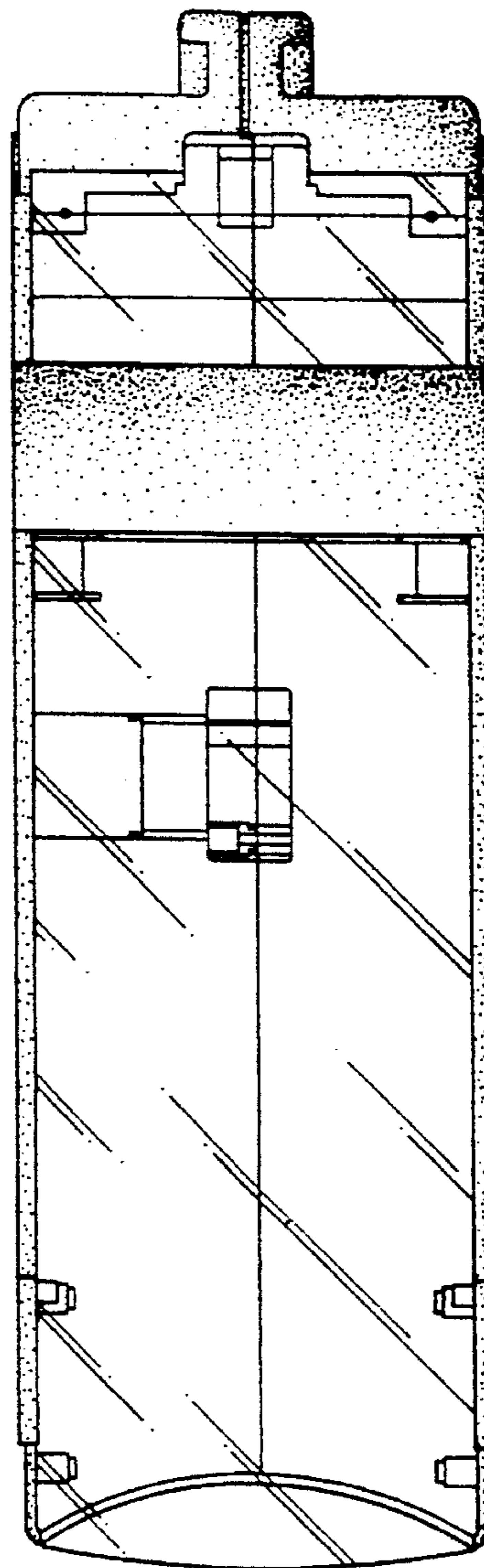


FIG. 5

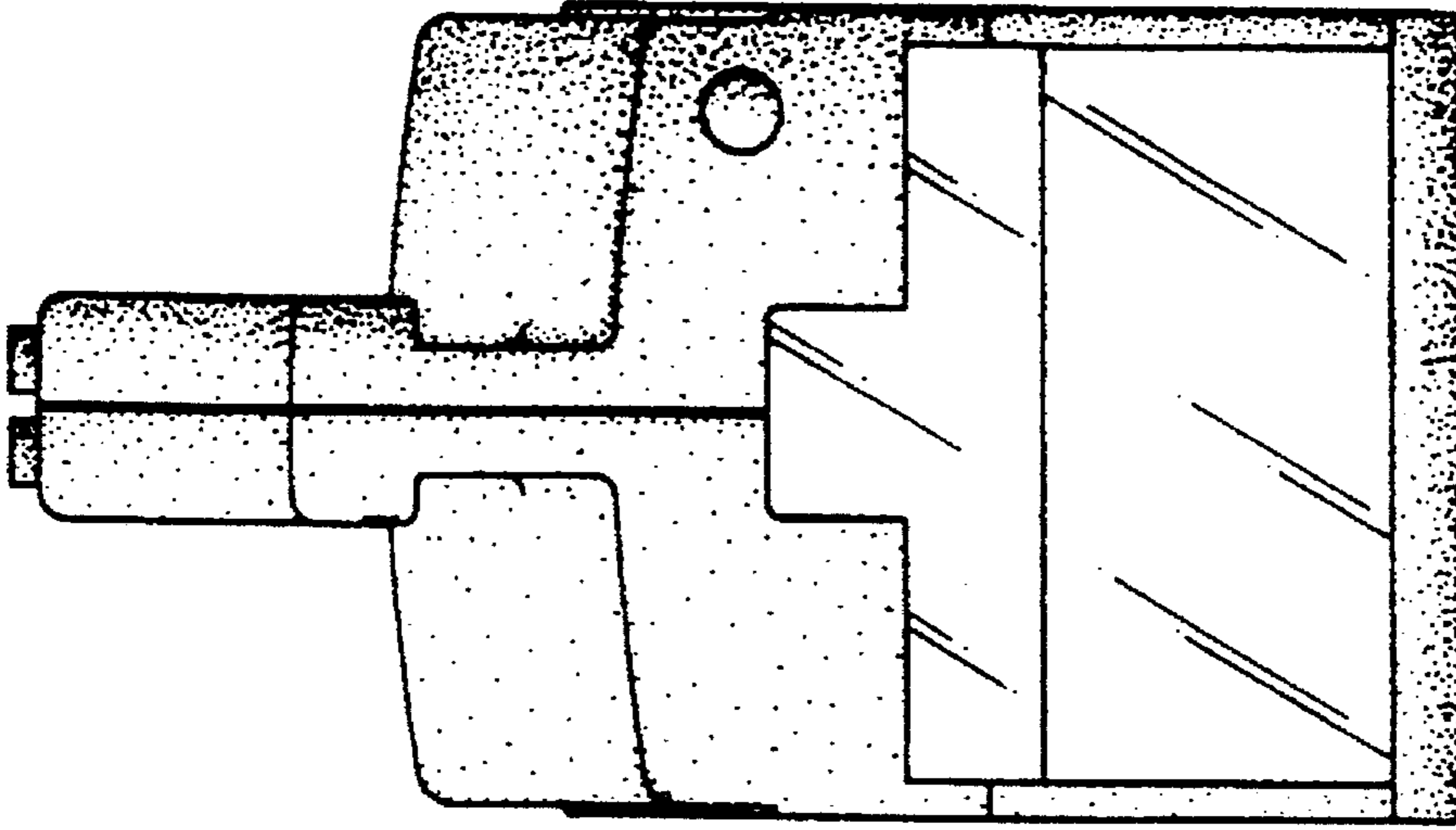


FIG. 6

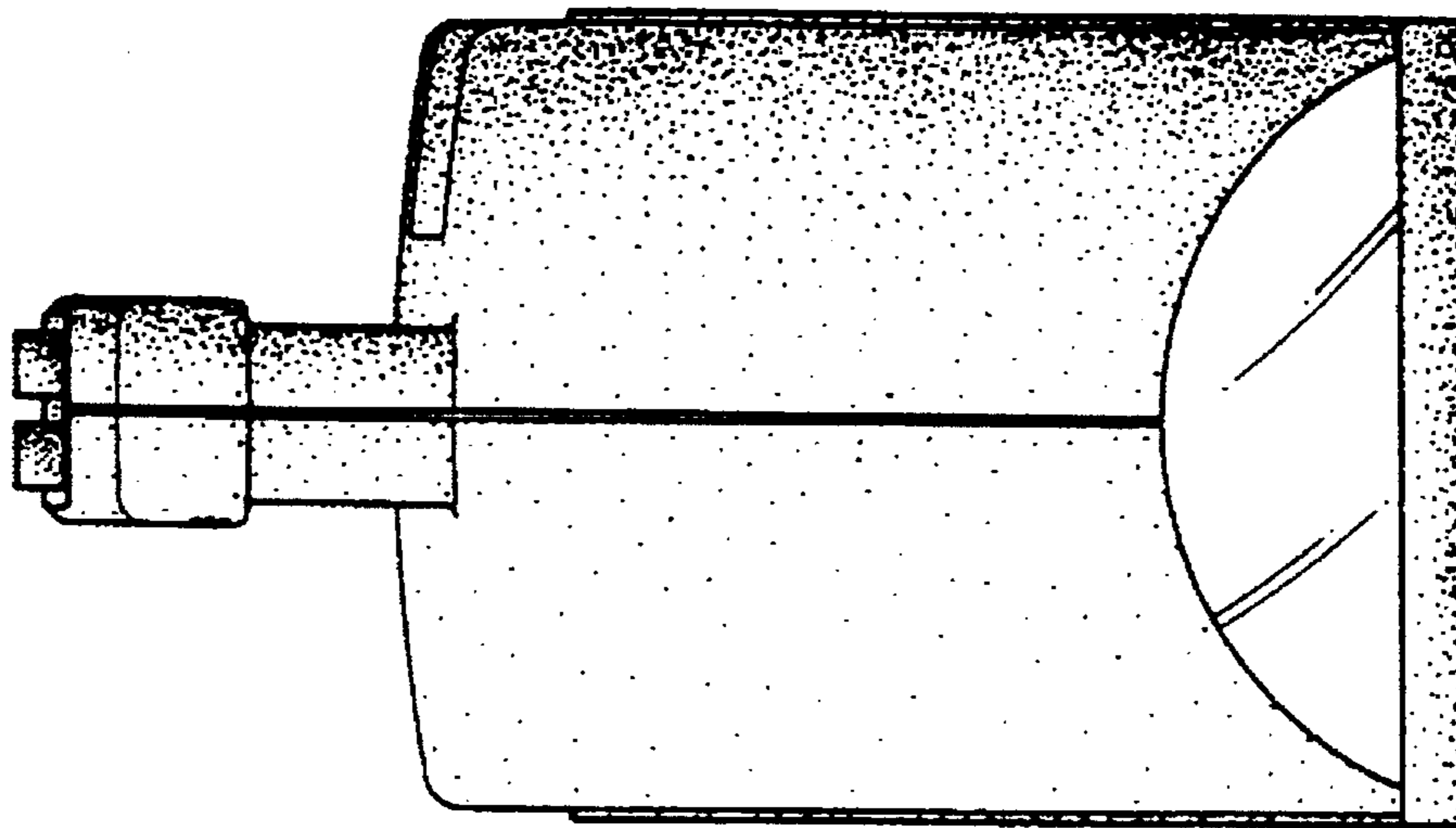


FIG. 7