



US00D374521S

United States Patent [19]

Jackovin et al.

[11] Patent Number: **Des. 374,521**

[45] Date of Patent: ****Oct. 8, 1996**

[54] **COMBINED WASHER AND DRYER**

[75] Inventors: **Gary B. Jackovin**, Ankeny; **James R. Braunschweig**, Colfax, both of Iowa

[73] Assignee: **Maytag Corporation**, Newton, Iowa

[**] Term: **14 Years**

[21] Appl. No.: **31,496**

[22] Filed: **Nov. 29, 1994**

3,139,744	7/1964	Van Alstyne	68/20
3,220,229	11/1965	Livesay	68/19
3,545,235	12/1970	Menk	68/19.2
3,824,813	7/1974	Davis	68/19.2
4,454,732	6/1984	Burkland et al.	68/19.2
4,551,996	11/1985	Hirose et al.	29/2
4,680,948	7/1987	Rummel et al.	D32/5
4,972,687	11/1990	Czech et al. .	
4,989,426	2/1991	Kretchman et al. .	

Primary Examiner—Ruth McInroy
Attorney, Agent, or Firm—Zarley, McKee, Thomte, Voorhees, & Sease

Related U.S. Application Data

- [63] Continuation-in-part of Ser. No. 30,959, Nov. 14, 1994.
- [52] U.S. Cl. **D32/5**
- [58] Field of Search D32/5-8, 11-12;
68/19, 19.2, 20, 5 R; 34/127

[57] CLAIM

The design for a combined washer and dryer, as shown and described.

[56] References Cited

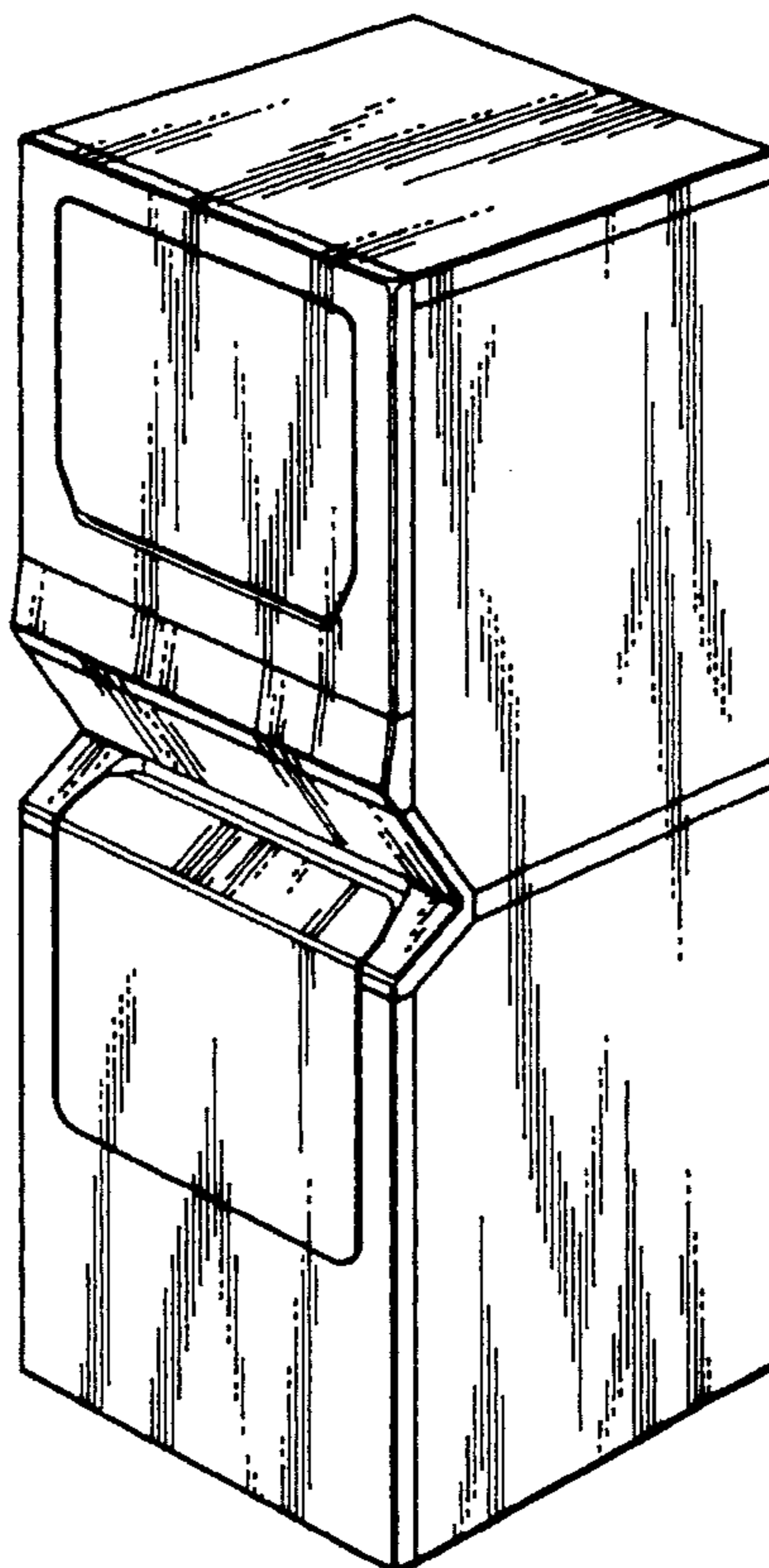
U.S. PATENT DOCUMENTS

D. 172,386	6/1954	Geldhof	D49/1
D. 172,387	6/1954	Geldhof	D49/1
D. 172,404	6/1954	Sundberg	D49/1
D. 174,256	3/1955	Geldhof	D49/1
D. 216,916	3/1970	Menk	D15/6
D. 219,937	2/1971	Petkwitz	D15/6
D. 271,815	12/1983	Oosawa et al.	D5/5
D. 288,737	3/1987	Deatherage et al.	D32/5
D. 298,873	12/1988	Erickson et al.	D32/5
2,687,578	8/1954	Richterkessing	34/127
2,793,518	5/1957	Geldhof	68/19
2,833,137	5/1958	Geldhof	68/19

DESCRIPTION

FIG. 1 is a perspective view of a combined washer and dryer showing our new design;
 FIG. 2 is a front elevational view thereof;
 FIG. 3 is a side elevational view thereof, the opposite side being a mirror image;
 FIG. 4 is a top plan view thereof;
 FIG. 5 is a rear elevational view thereof;
 FIG. 6 is a perspective view thereof with the washer and dryer doors removed so as to show the access openings to the washer and dryer respectively;
 FIG. 7 is a front elevation view similar to FIG. 6 showing the access openings to the washer and dryer; and,
 FIG. 8 is a sectional view taken along lines 8—8 of FIG. 6.

1 Claim, 4 Drawing Sheets



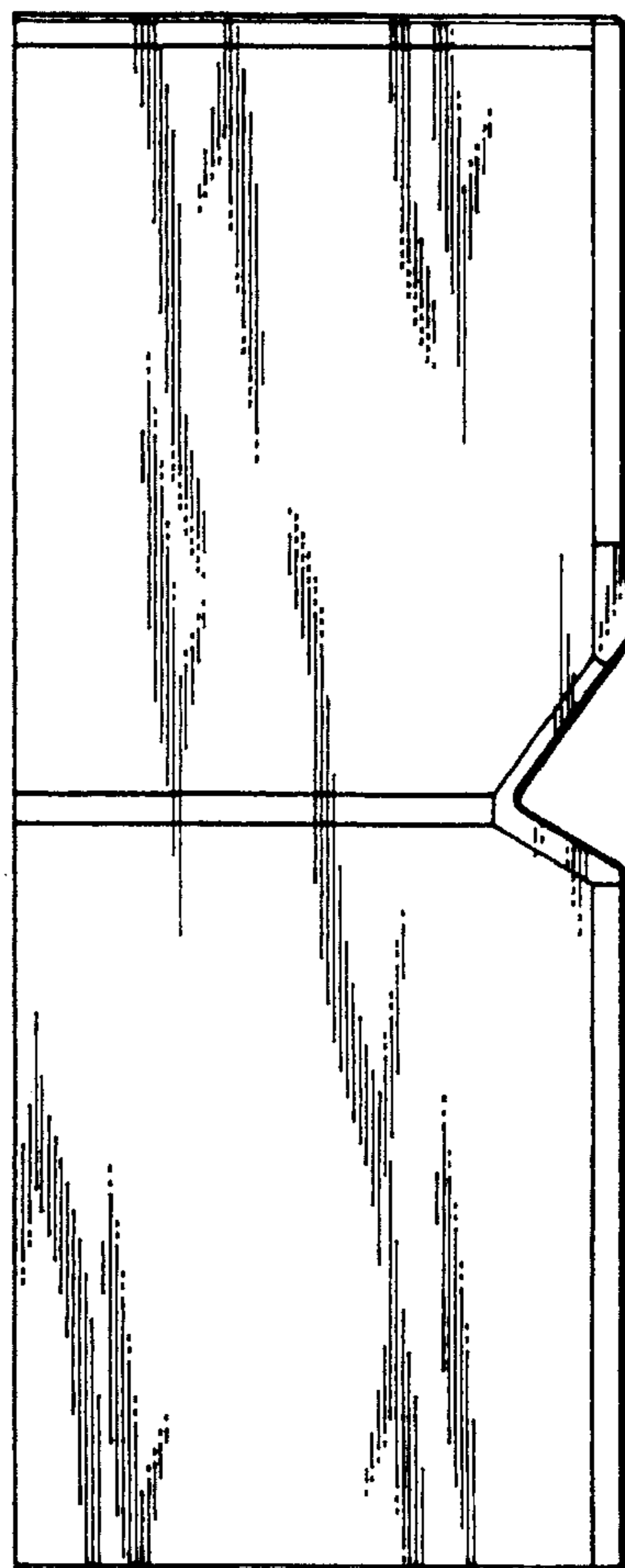
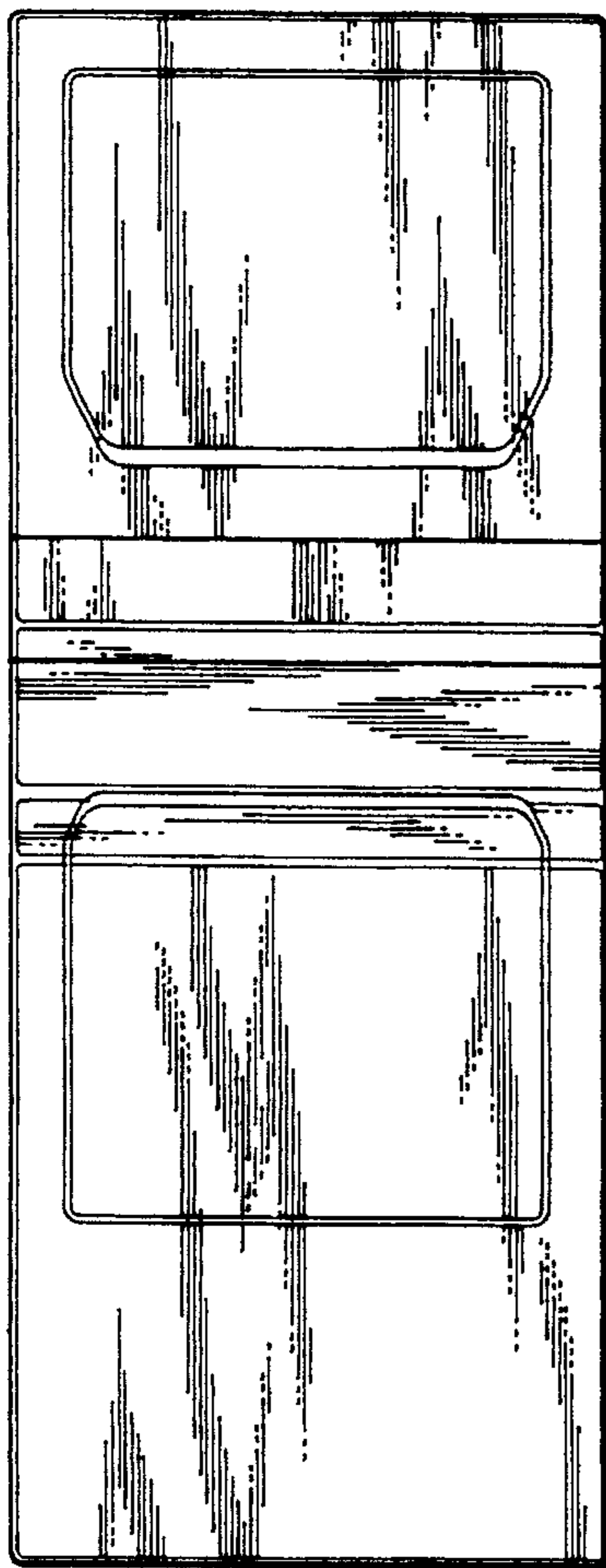
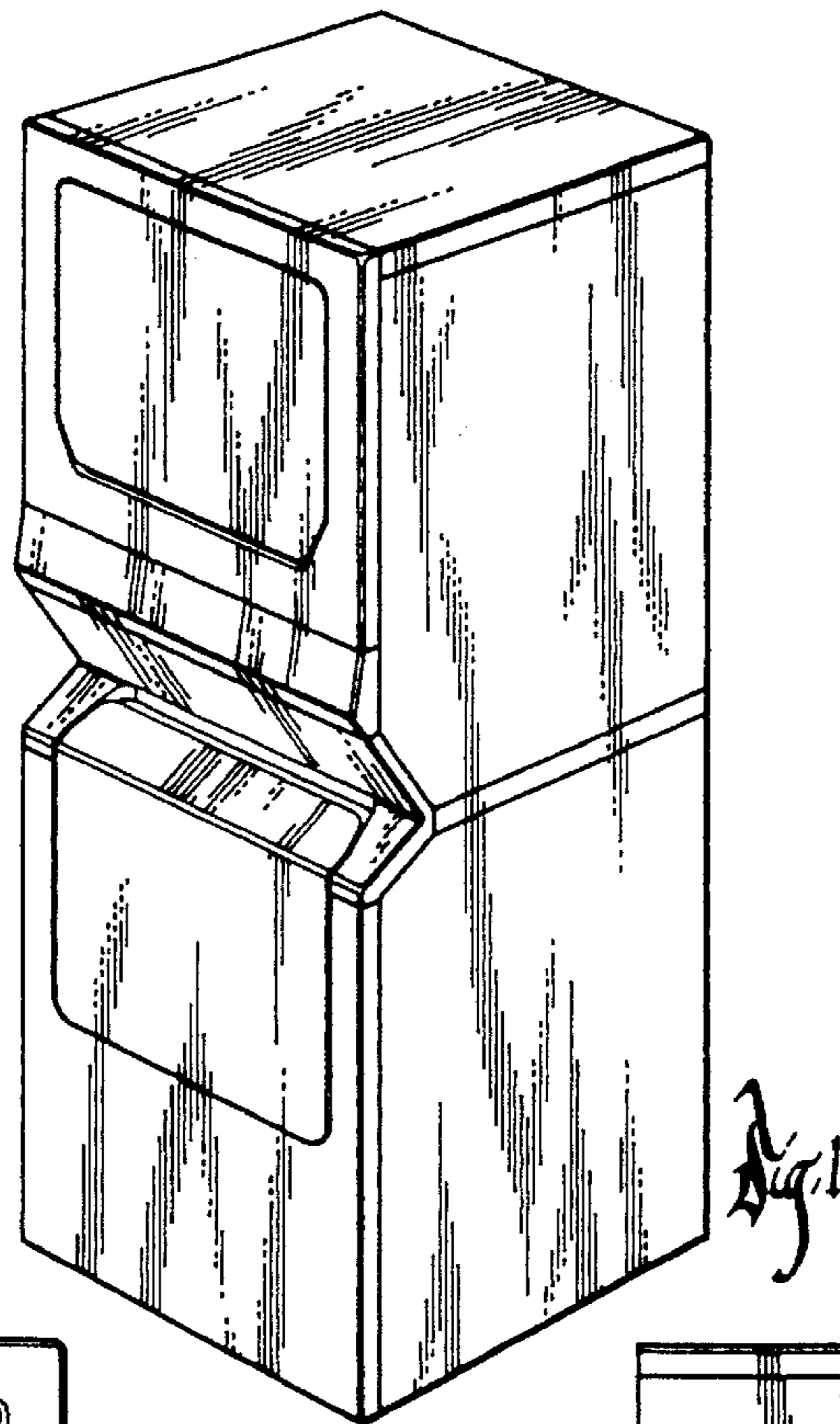


Fig. 2

Fig. 3

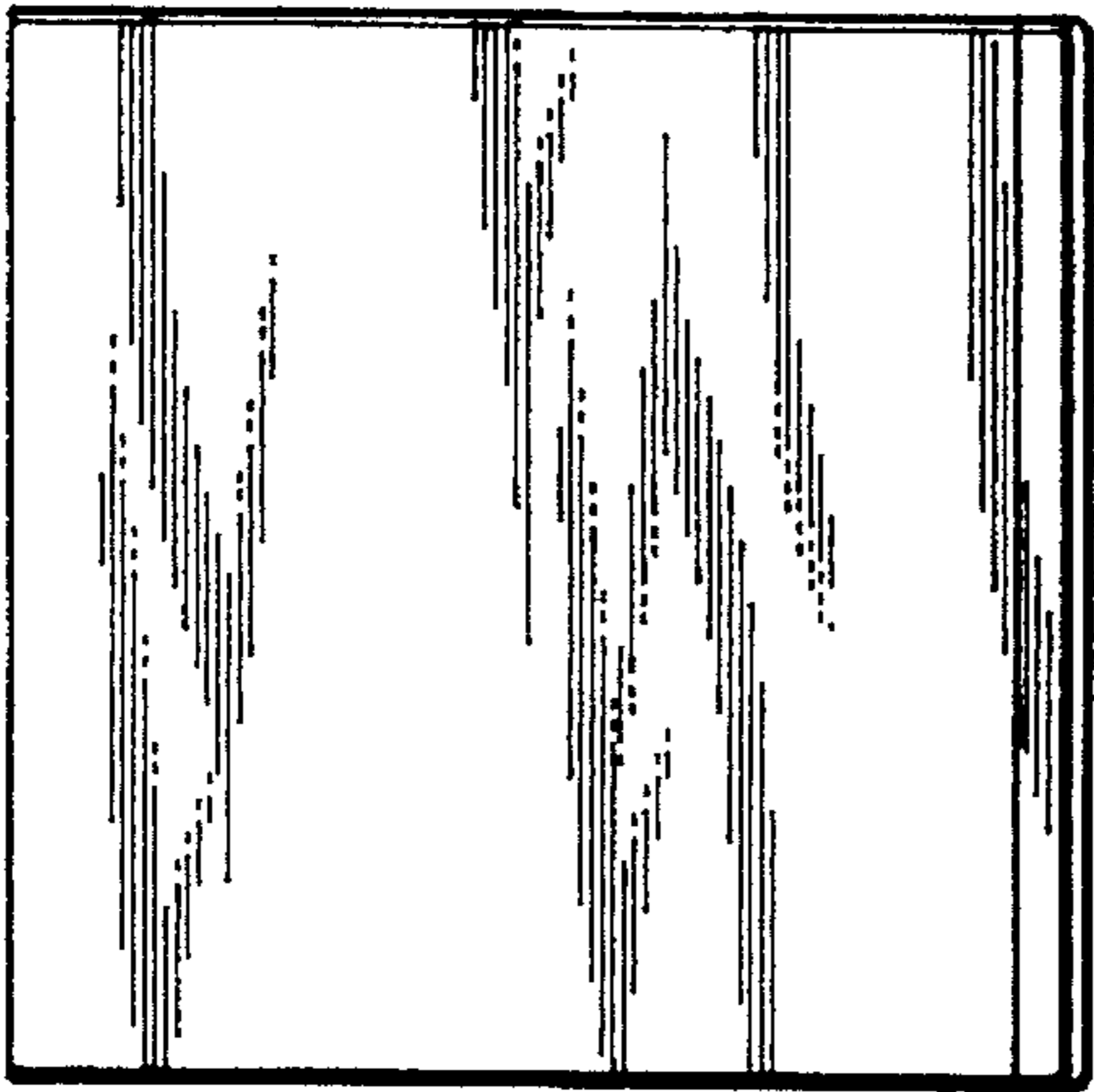


Fig. 4

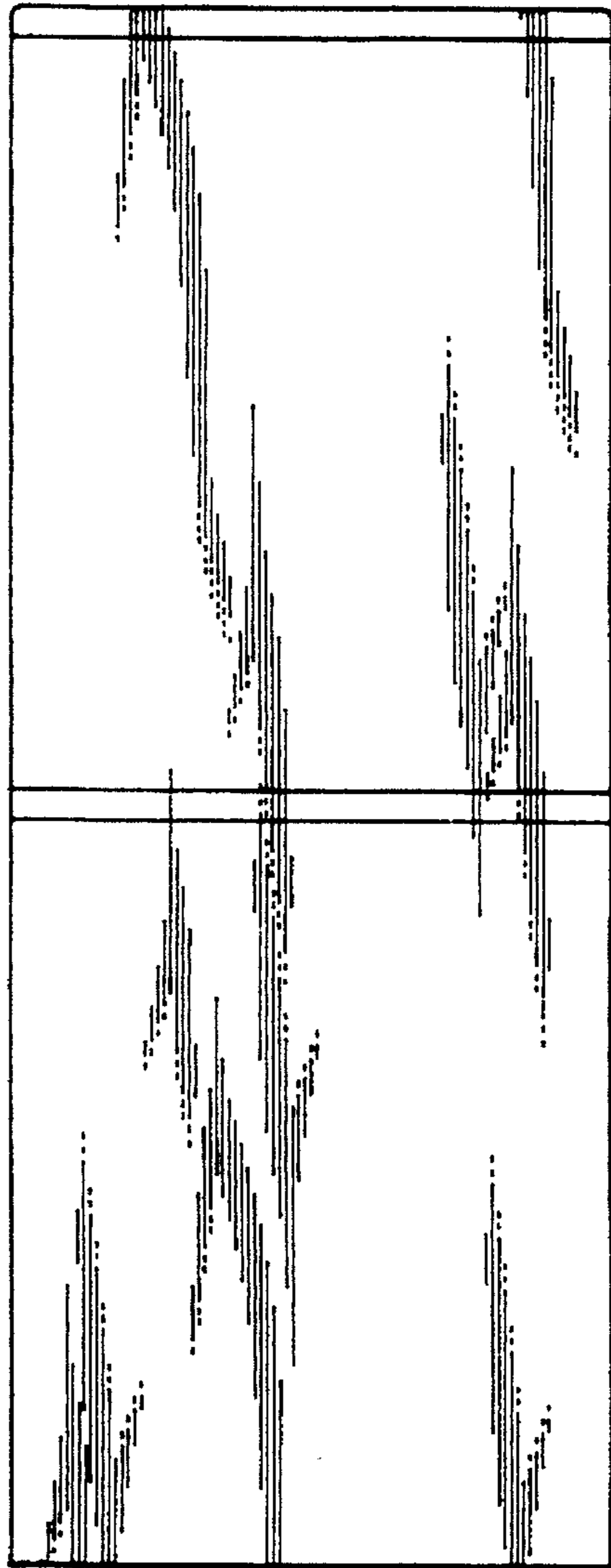


Fig. 5

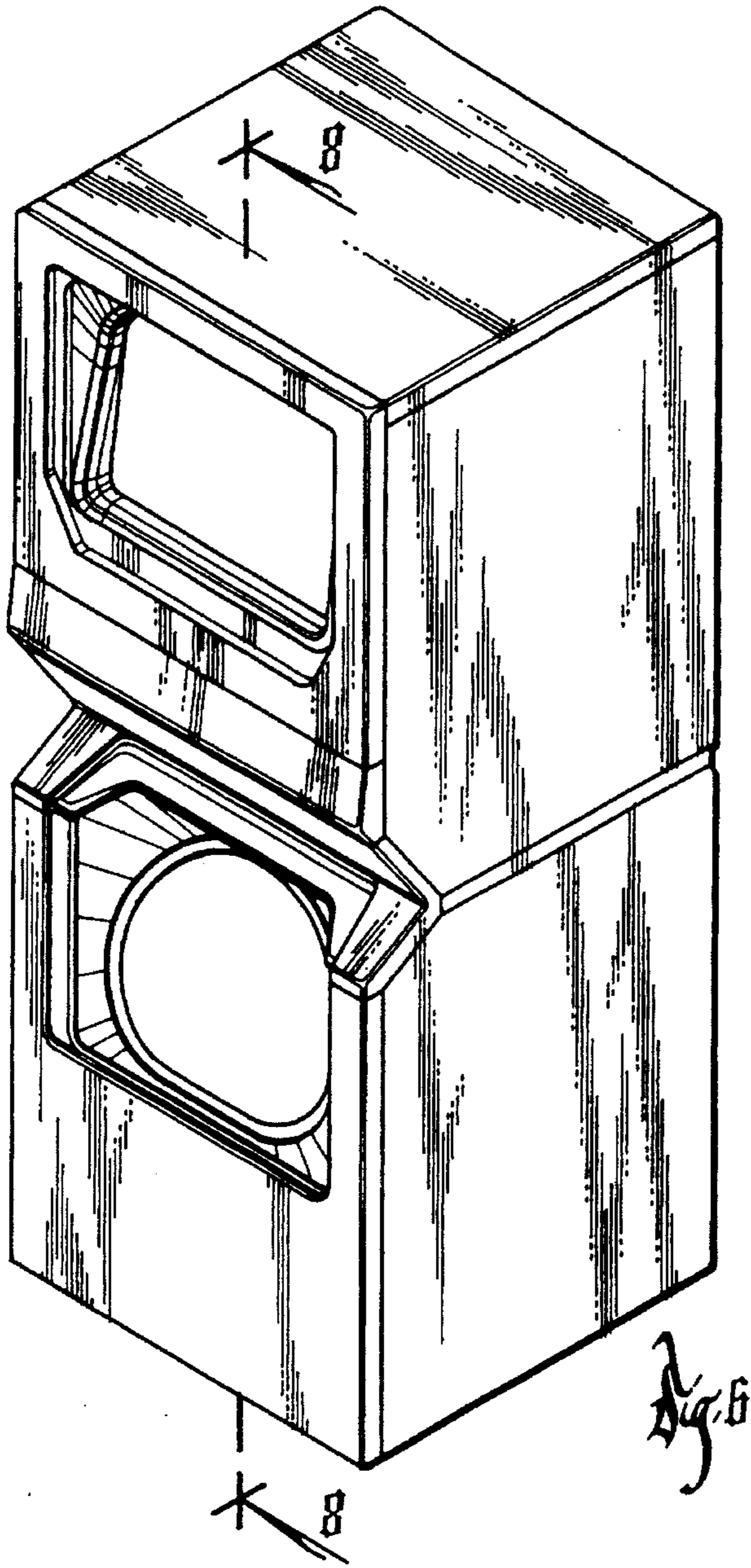


Fig. 6

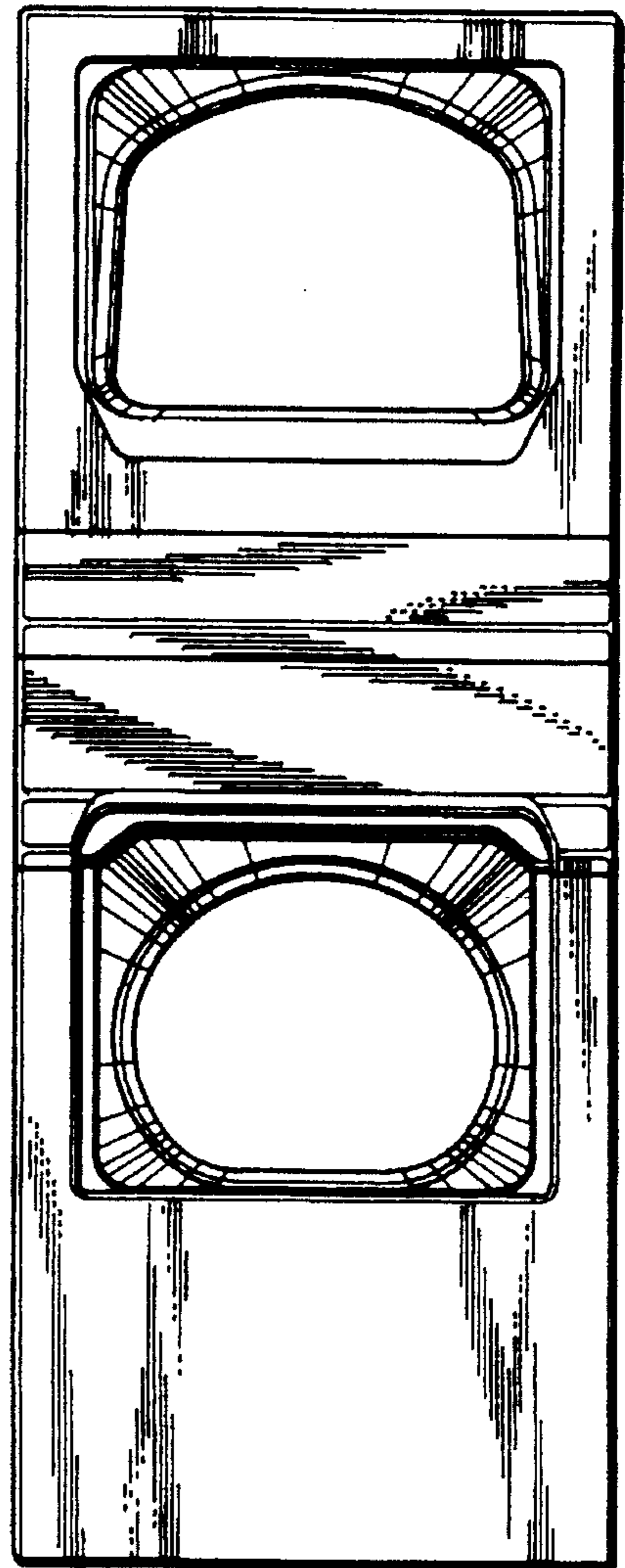


Fig. 7

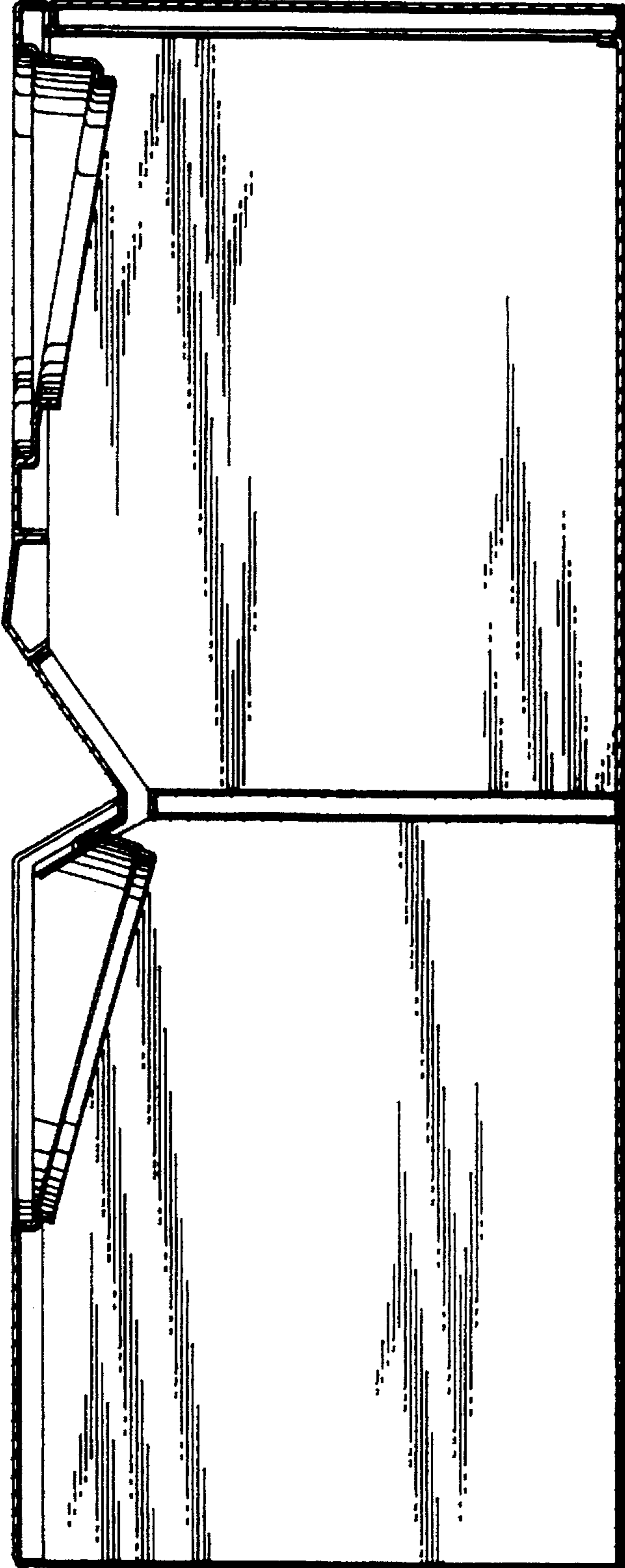


Fig. 8