



US00D374517S

**United States Patent** [19]  
**Morrill**

[11] **Patent Number: Des. 374,517**  
[45] **Date of Patent: \*\*Oct. 8, 1996**

[54] **PET DISH STAND**

2188525 10/1987 United Kingdom ..... D30/133  
2220835 1/1990 United Kingdom ..... 119/61

[76] Inventor: **Frank Morrill, R.R. 2, Box 5790,**  
**Union, Me. 04862**

[\*\*] Term: **14 Years**

[21] Appl. No.: **38,382**

[22] Filed: **May 4, 1995**

[52] **U.S. Cl. .... D30/133**

[58] **Field of Search ..... 119/61, 51.5; D30/130,**  
**D30/133, 131**

**OTHER PUBLICATIONS**

Spiegel Catalog; Doggie Diner X61355 4716T; p. 4.

*Primary Examiner*—Cathy Anne MacCormac  
*Attorney, Agent, or Firm*—Stan Jones

[57] **CLAIM**

The ornamental design for a pet dish stand, as shown and described.

**DESCRIPTION**

FIG. 1 is a front perspective view of a two-bowl embodiment of a pet dish stand showing my new design;  
FIG. 2 is a top plan view of my new design;  
FIG. 3 is a side view thereof with the two sides being the same;  
FIG. 4 is a bottom view thereof;  
FIG. 5 is an end view of my new design with the opposite end being identical;  
FIG. 6 is a front perspective view of a three-bowl embodiment of a pet dish stand showing my new design;  
FIG. 7 is a top plan view of this second embodiment of my new design;  
FIG. 8 is a side view thereof with the two sides being the same;  
FIG. 9 is a bottom view thereof; and,  
FIG. 10 is an end view of this second embodiment of my new design with the opposite end being identical.

[56] **References Cited**

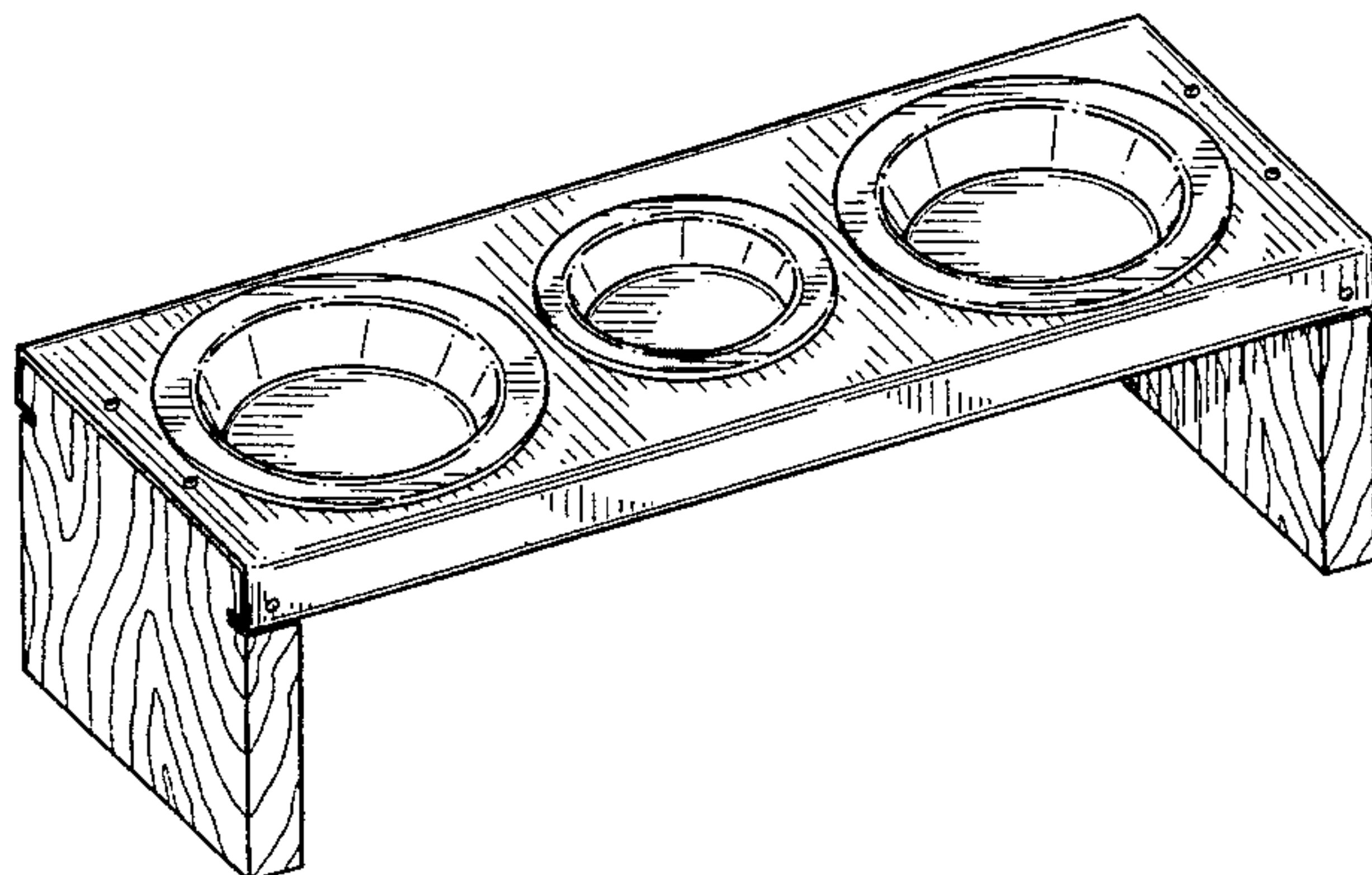
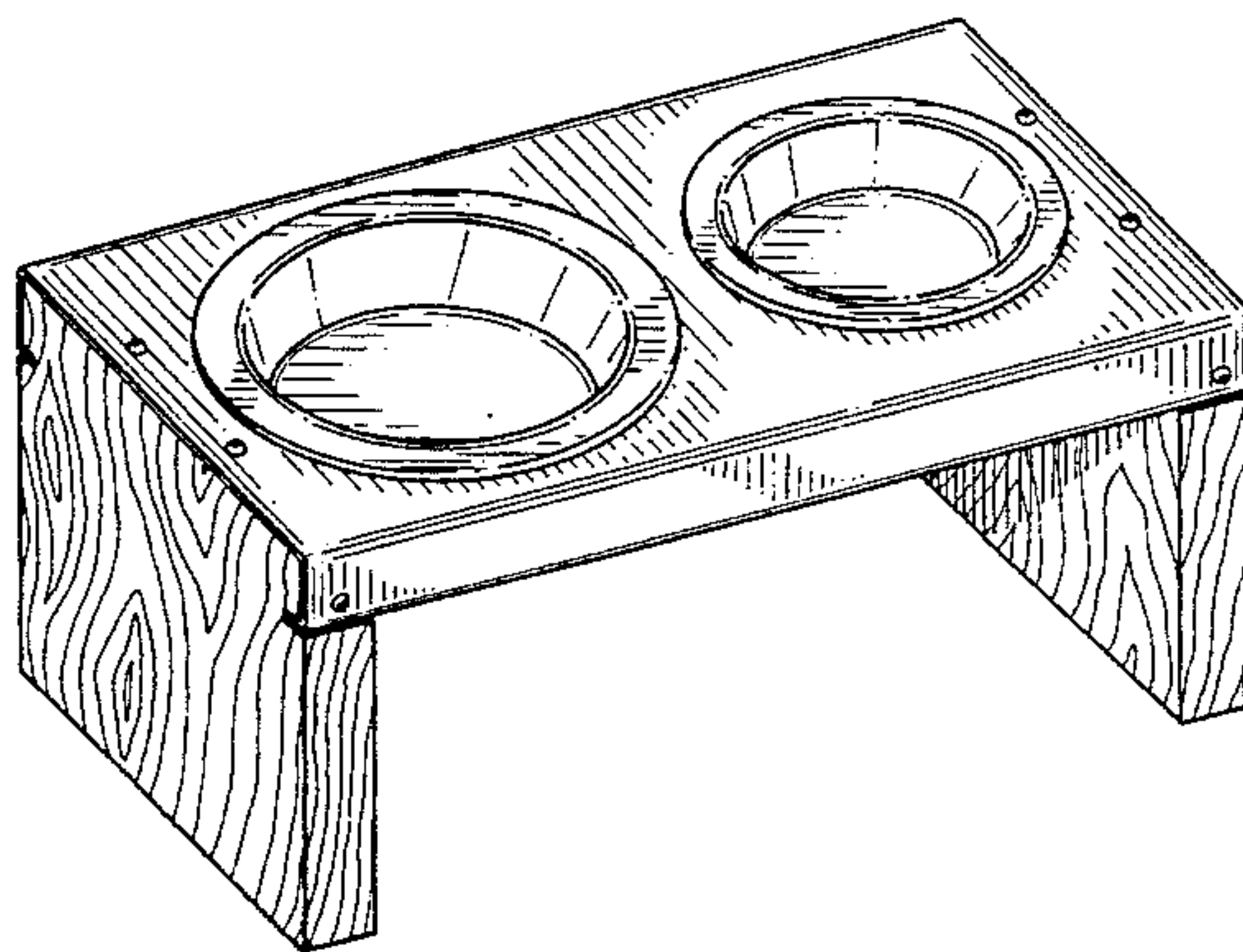
**U.S. PATENT DOCUMENTS**

D. 89,262	2/1933	Nummaker .....	D30/130
D. 105,450	7/1937	Clifton .....	D30/130
D. 237,787	11/1975	Weyrich .....	D30/133
D. 293,947	1/1988	Younker .....	D30/131
D. 300,290	3/1989	Moberg .....	D7/701
D. 315,974	4/1991	Steiner .....	D30/131
D. 335,007	4/1993	McPhee .....	D30/133
D. 340,552	10/1993	Smith .....	D30/131
D. 342,350	12/1993	Gower .....	D30/133
2,741,901	4/1956	Silos .....	211/13
2,841,114	7/1958	Grant .....	119/61
2,845,896	8/1958	Copeland .....	119/61
3,651,787	3/1972	Cooper .....	119/61
3,776,193	12/1973	Post, Sr. ....	119/61
4,699,089	10/1987	Teschke .....	119/61

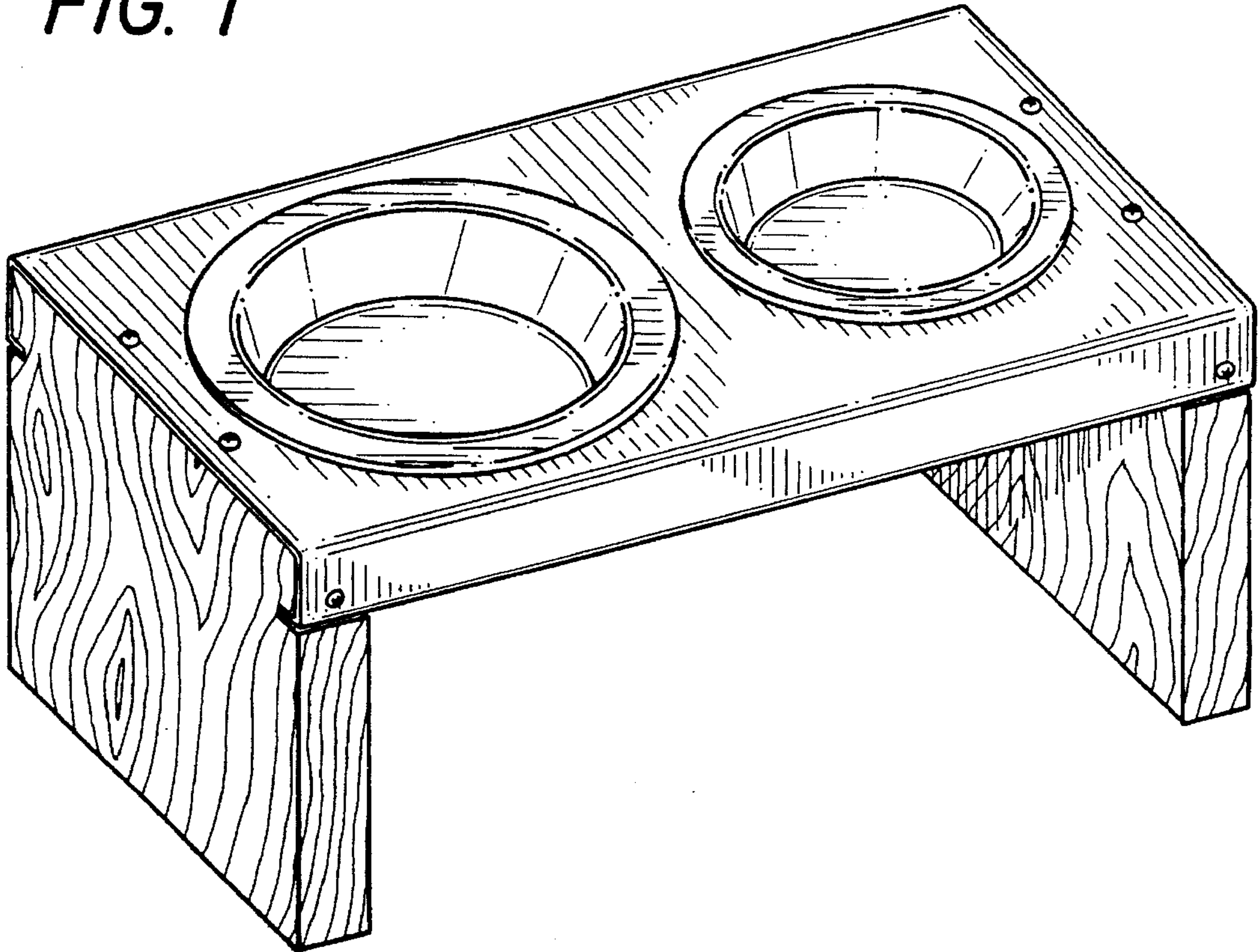
**FOREIGN PATENT DOCUMENTS**

3300770	7/1984	Germany .....	119/61
---------	--------	---------------	--------

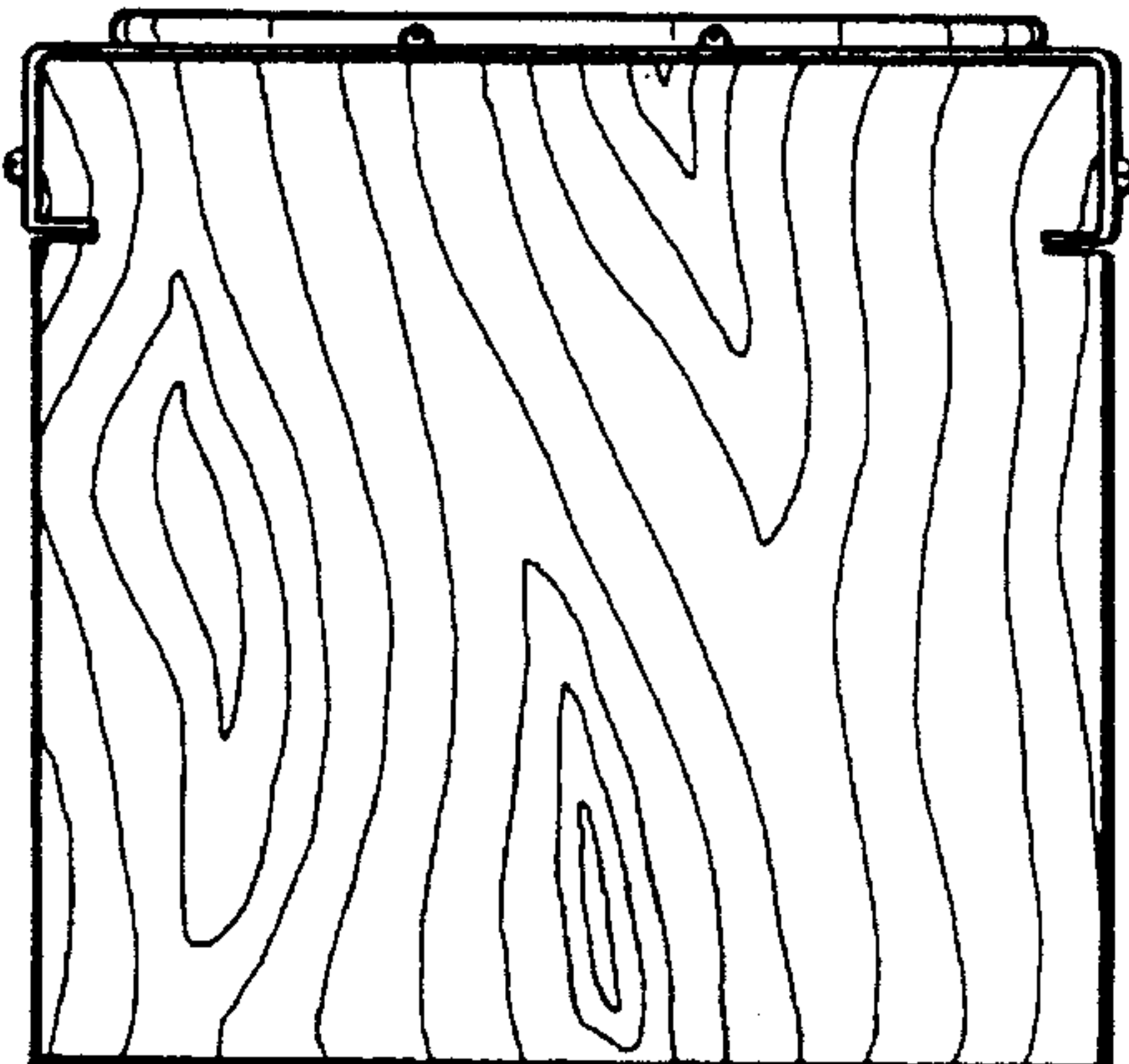
**1 Claim, 4 Drawing Sheets**



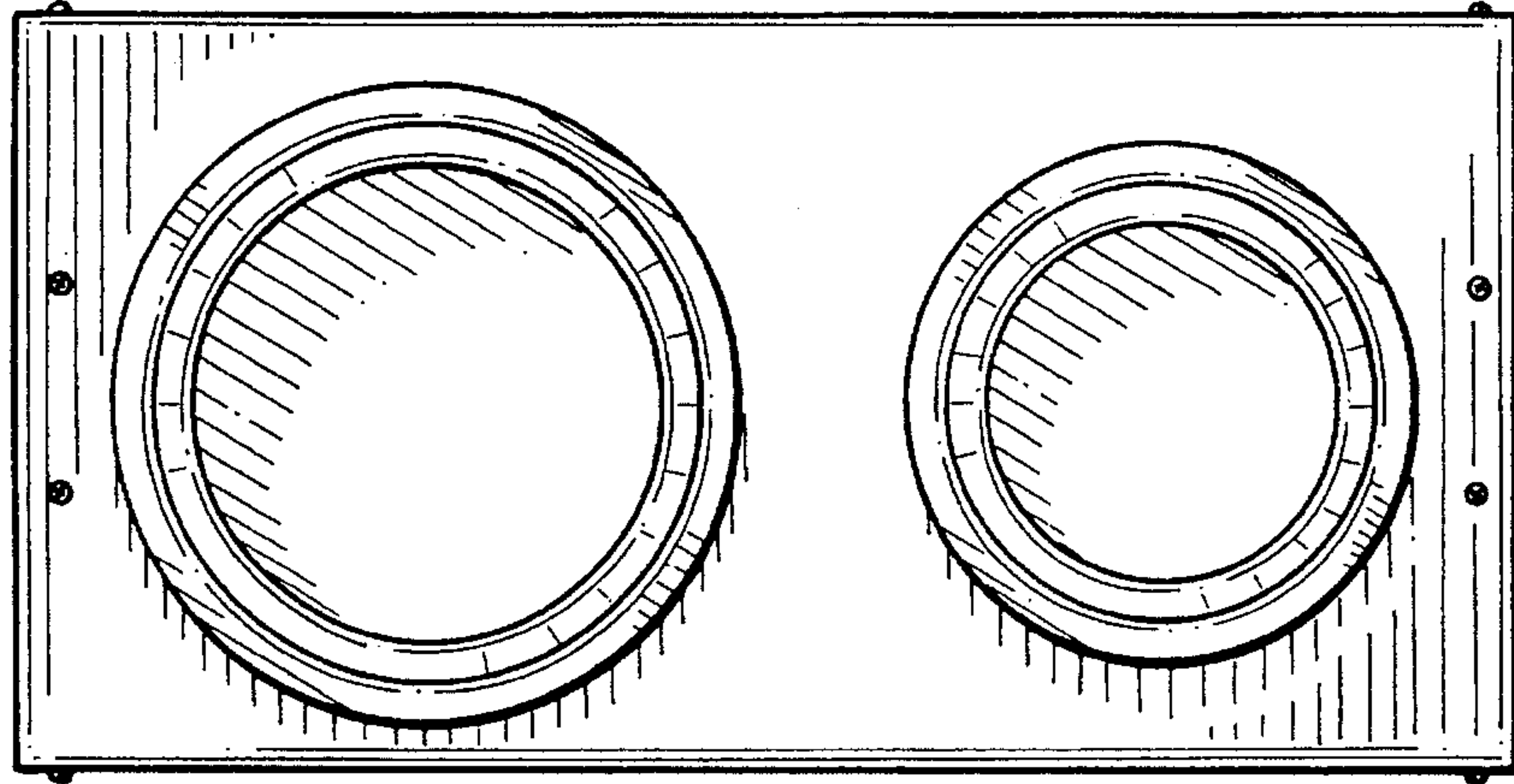
*FIG. 1*



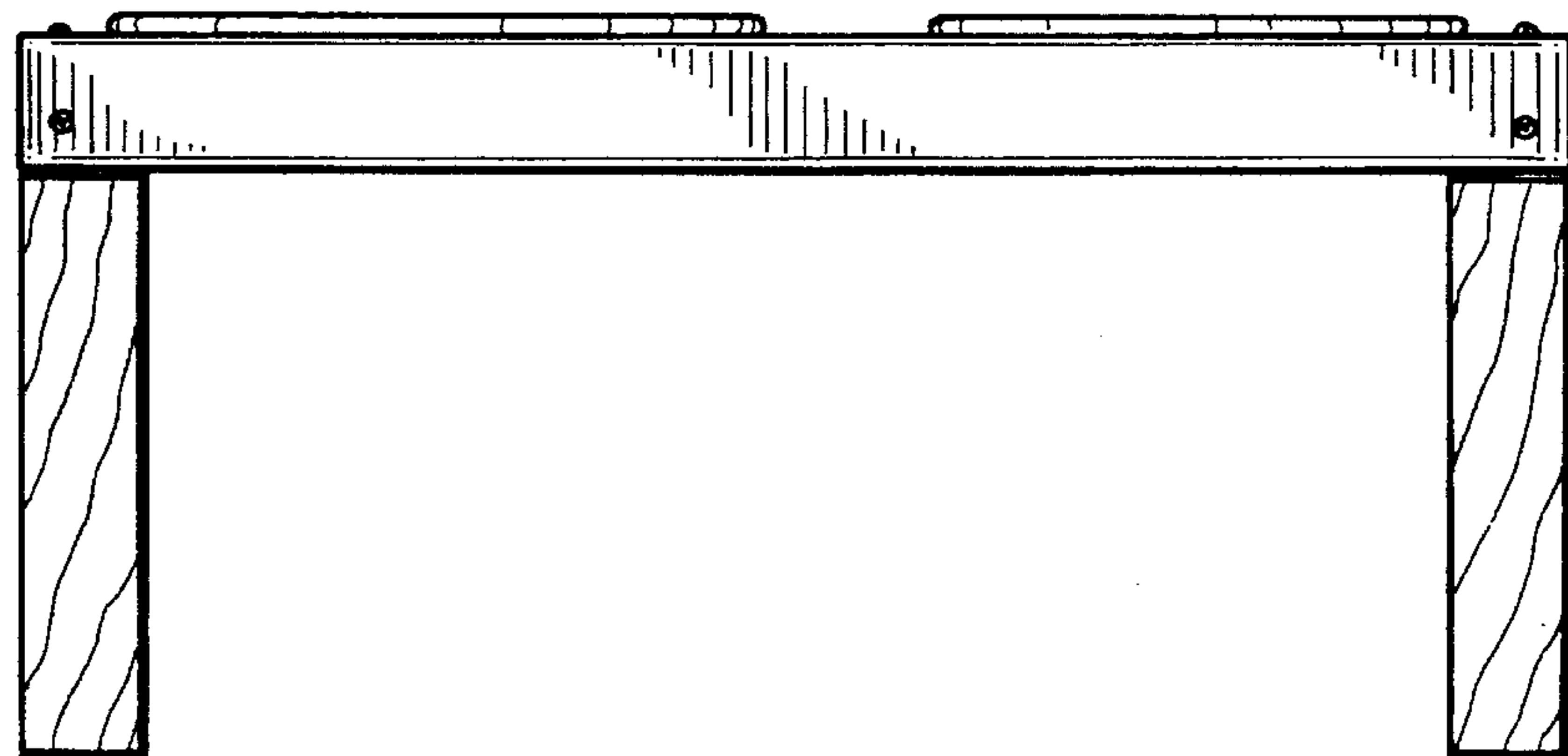
*FIG. 5*



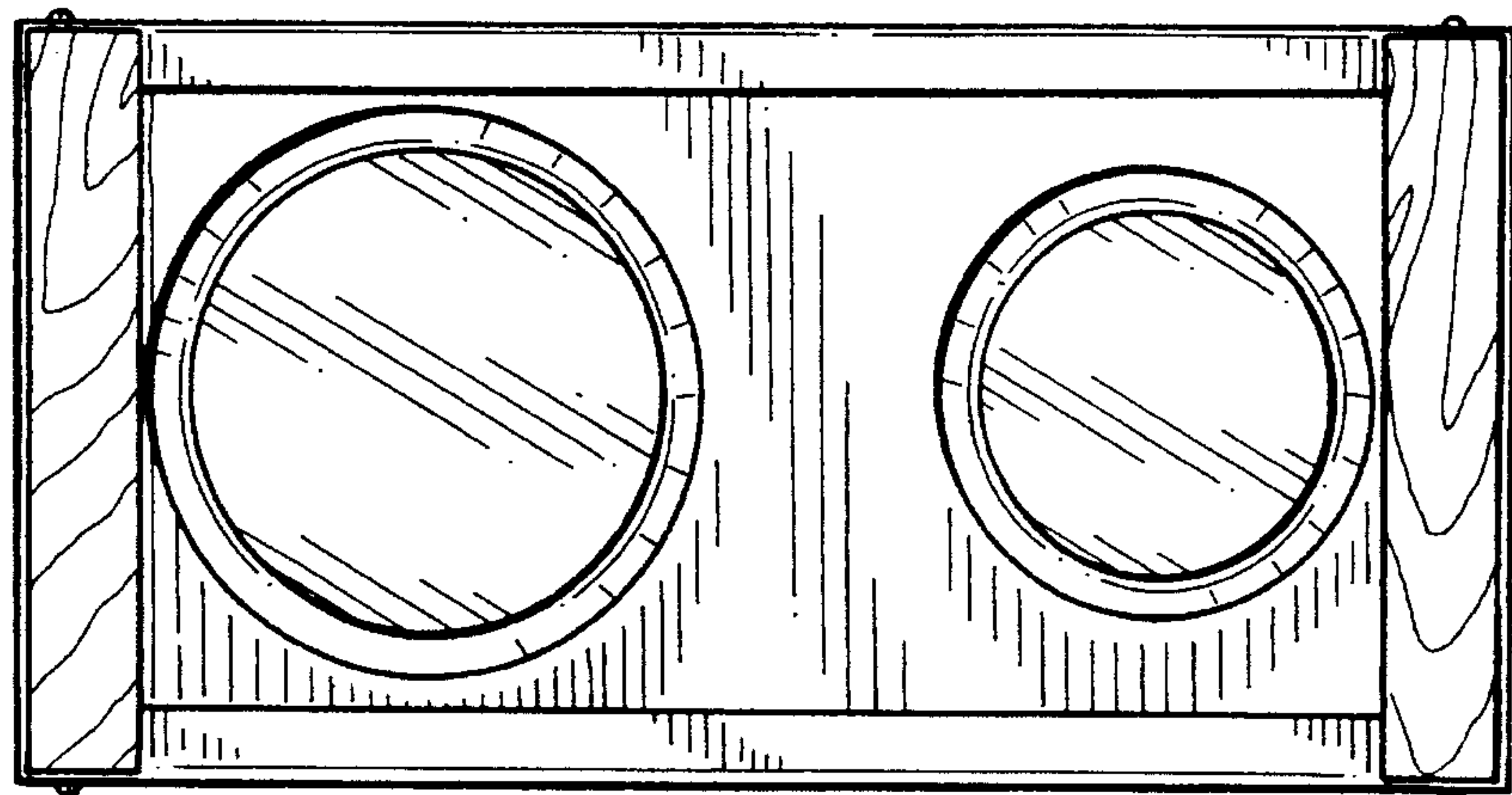
*FIG. 2*



*FIG. 3*



*FIG. 4*





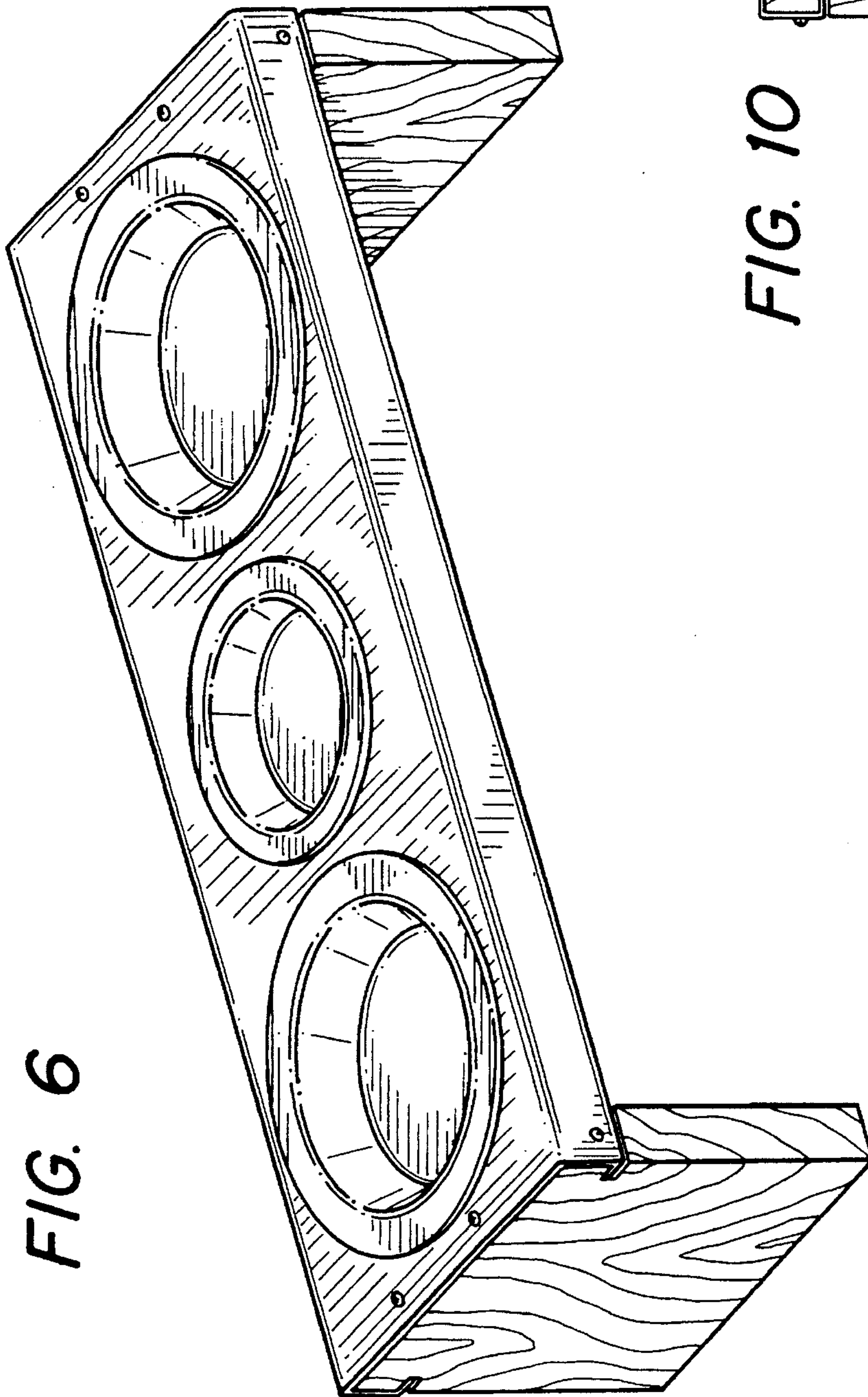


FIG. 6

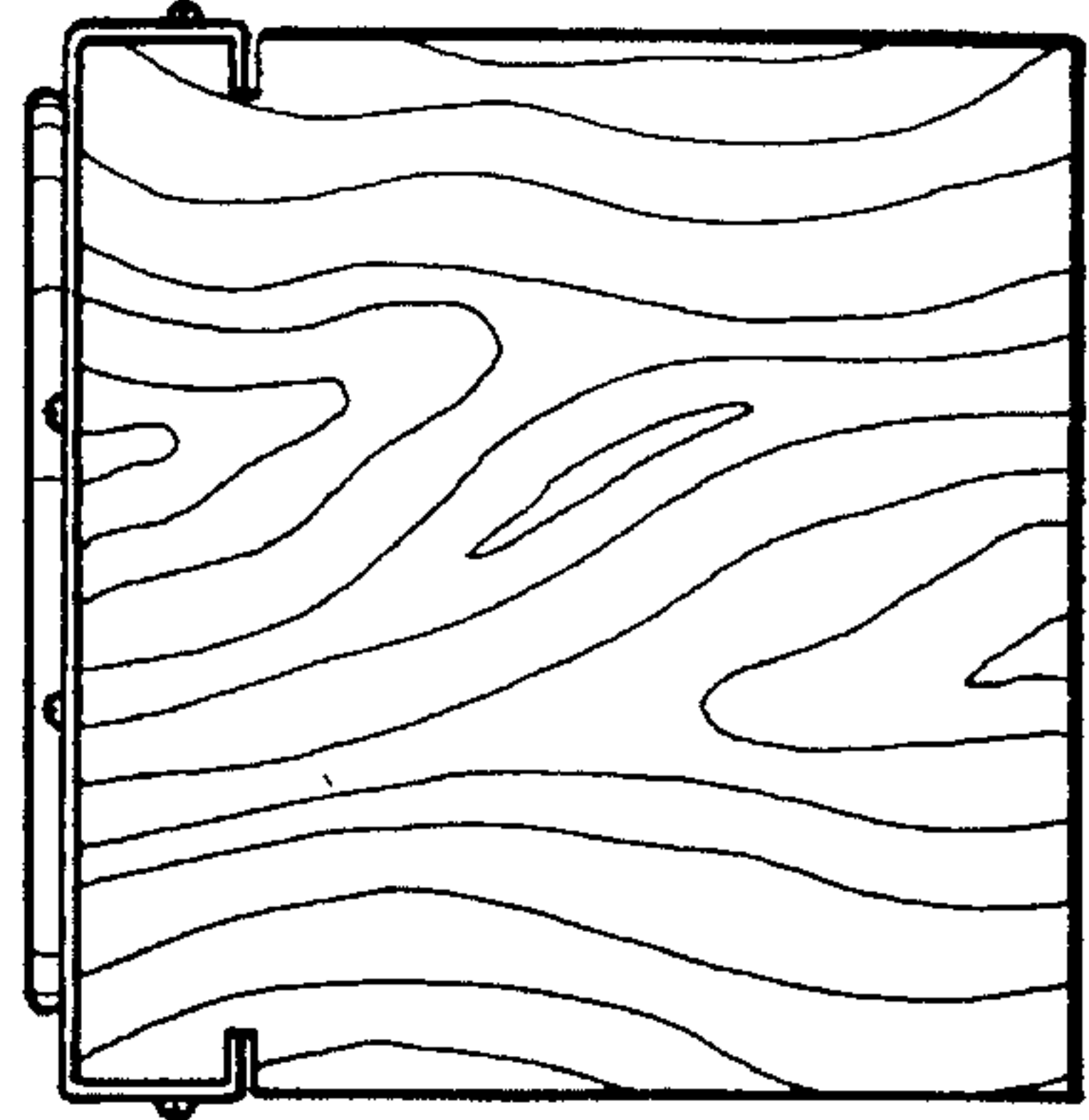
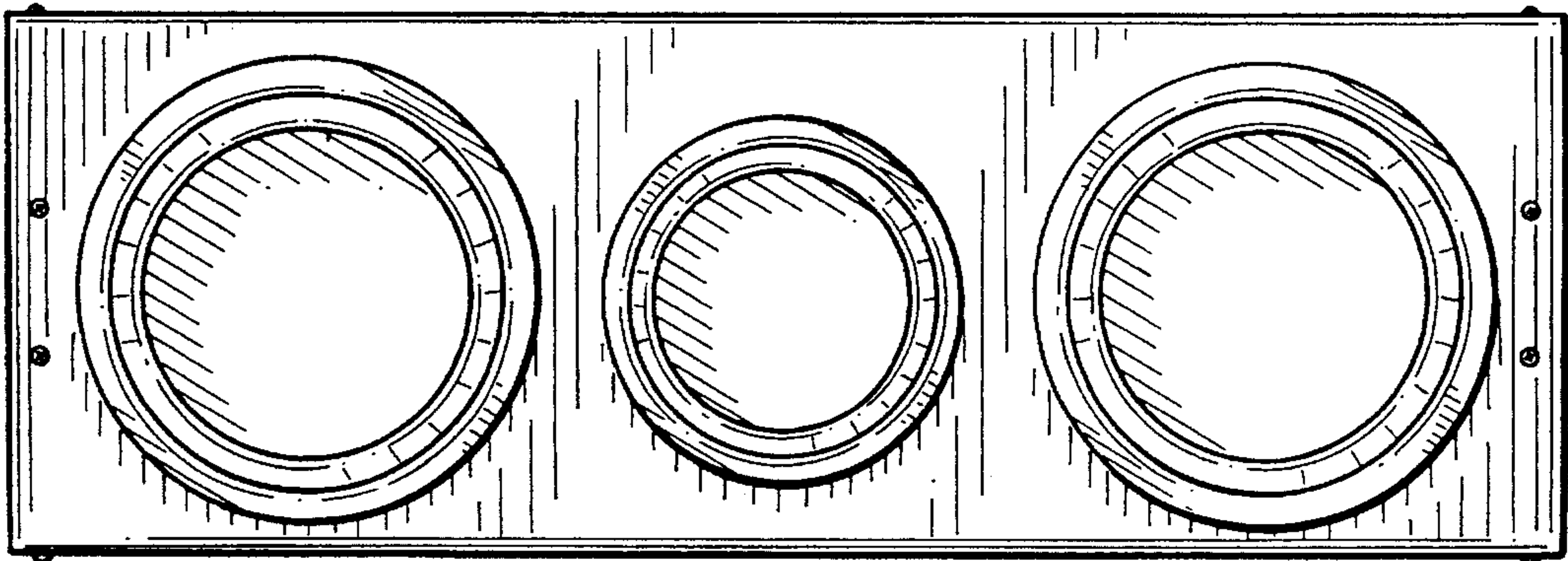
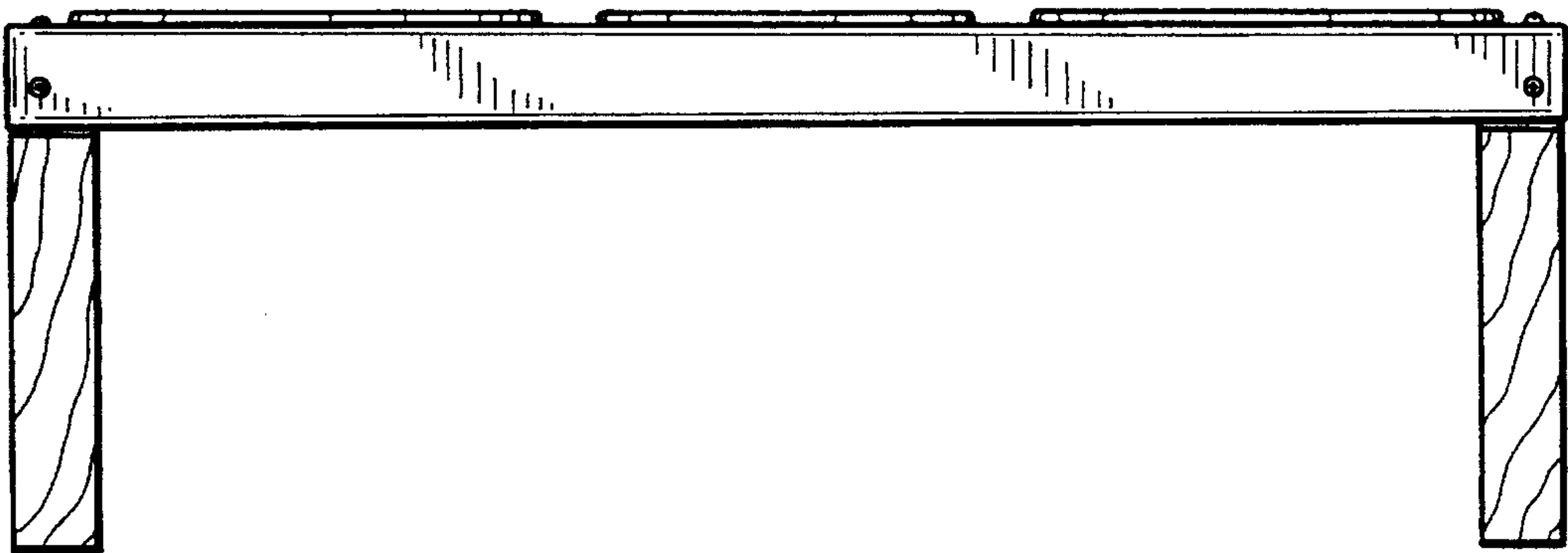


FIG. 10

*FIG. 7*



*FIG. 8*



*FIG. 9*

