



US00D374516S

United States Patent [19]

[11] Patent Number: **Des. 374,516**

Lillelund et al.

[45] Date of Patent: ****Oct. 8, 1996**

[54] AUTOMATIC WATER DISPENSER FOR ANIMALS

[75] Inventors: **Stig Lillelund**, Gentofte; **Mikael Koch**, København, both of Denmark

[73] Assignee: **Dart Industries Inc.**, Deerfield, Ill.

[**] Term: **14 Years**

[21] Appl. No.: **36,004**

[22] Filed: **Mar. 16, 1995**

[52] U.S. Cl. **D30/132**; D30/121

[58] Field of Search 119/77, 61, 52.1, 119/52, 53, 54; D30/121-122, 129-133

[56] References Cited

U.S. PATENT DOCUMENTS

D. 330,098	10/1992	VanSkiver	D30/132
D. 334,251	3/1993	Tiu	D30/122
D. 351,689	10/1994	VanSkiver	D30/121
3,720,184	3/1973	Pearce	119/51.5
3,730,141	5/1973	Manning et al.	119/51.5
4,034,715	7/1977	Arner	119/51.5
4,281,624	8/1981	Raines	119/52.1
4,303,039	12/1981	Thibault	119/53
4,315,483	2/1982	Scheidler	119/51.11
4,348,988	9/1982	Lawson	119/53
4,573,434	3/1986	Gardner	119/77
4,721,063	1/1988	Atchley	119/52.1
4,840,143	6/1989	Simon	119/52.1
5,016,572	5/1991	Weber et al.	119/52.1
5,207,182	5/1993	Lorenzana	119/77
5,263,437	11/1993	Murphrey	119/53.5
5,353,739	10/1994	Chu	119/54

FOREIGN PATENT DOCUMENTS

2227819	11/1974	France	119/77
21486	of 1896	United Kingdom	119/52.1
2229076	9/1990	United Kingdom	119/52.1
2241633	9/1991	United Kingdom	119/77
2251778	7/1992	United Kingdom	119/52.1

OTHER PUBLICATIONS

J-B Catalog, 1993—p. 14; Self Waterers; DOSW-200.

Primary Examiner—Cathy Anne MacCormac
Attorney, Agent, or Firm—John A. Doninger

[57] CLAIM

The ornamental design for an automatic water dispenser for animals, as shown.

DESCRIPTION

FIG. 1 is a top, side and front perspective view of an automatic water dispenser for animals showing our new design;

FIG. 2 is an exploded perspective view thereof;

FIG. 3 is a top plan view thereof;

FIG. 4 is a bottom plan view thereof;

FIG. 5 is a left side view thereof;

FIG. 6 is a right side view thereof;

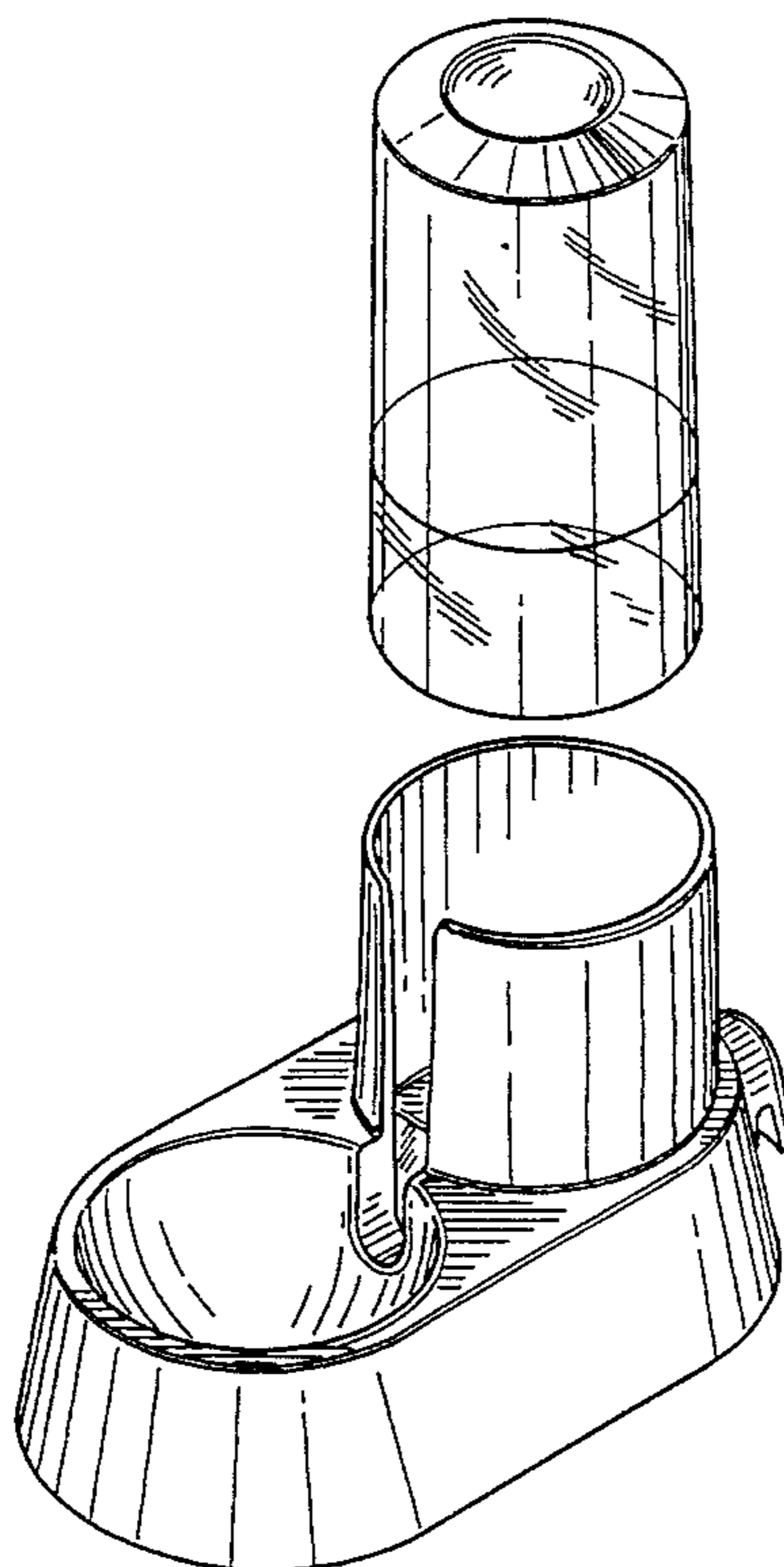
FIG. 7 is a front elevation view thereof;

FIG. 8 is a rear elevation view thereof;

FIG. 9 is a cross-section view thereof on line 9—9 in FIG. 3; and,

FIG. 10 is a cross-section view thereof on line 10—10 in FIG. 3.

1 Claim, 5 Drawing Sheets



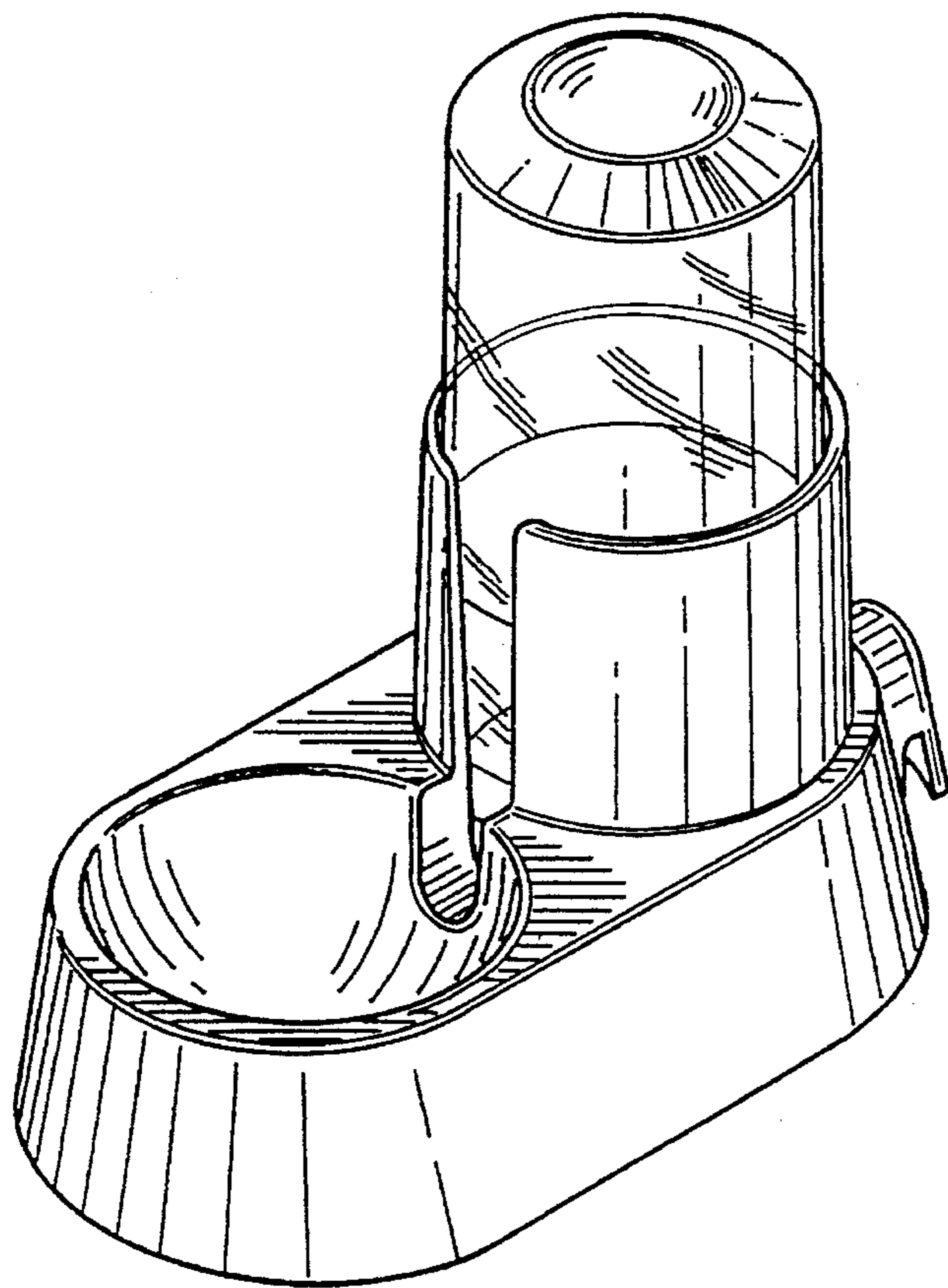


FIG. 1

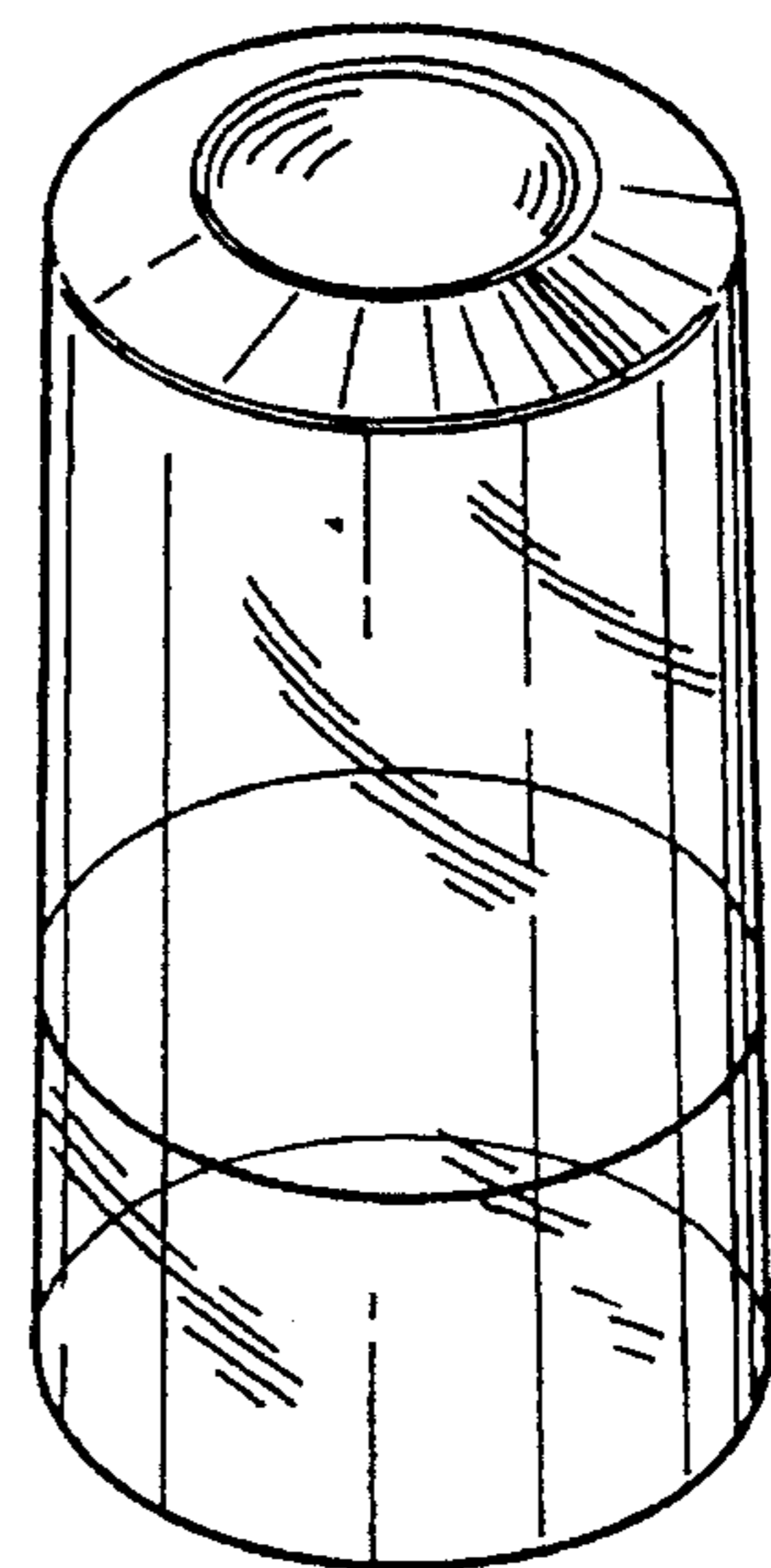
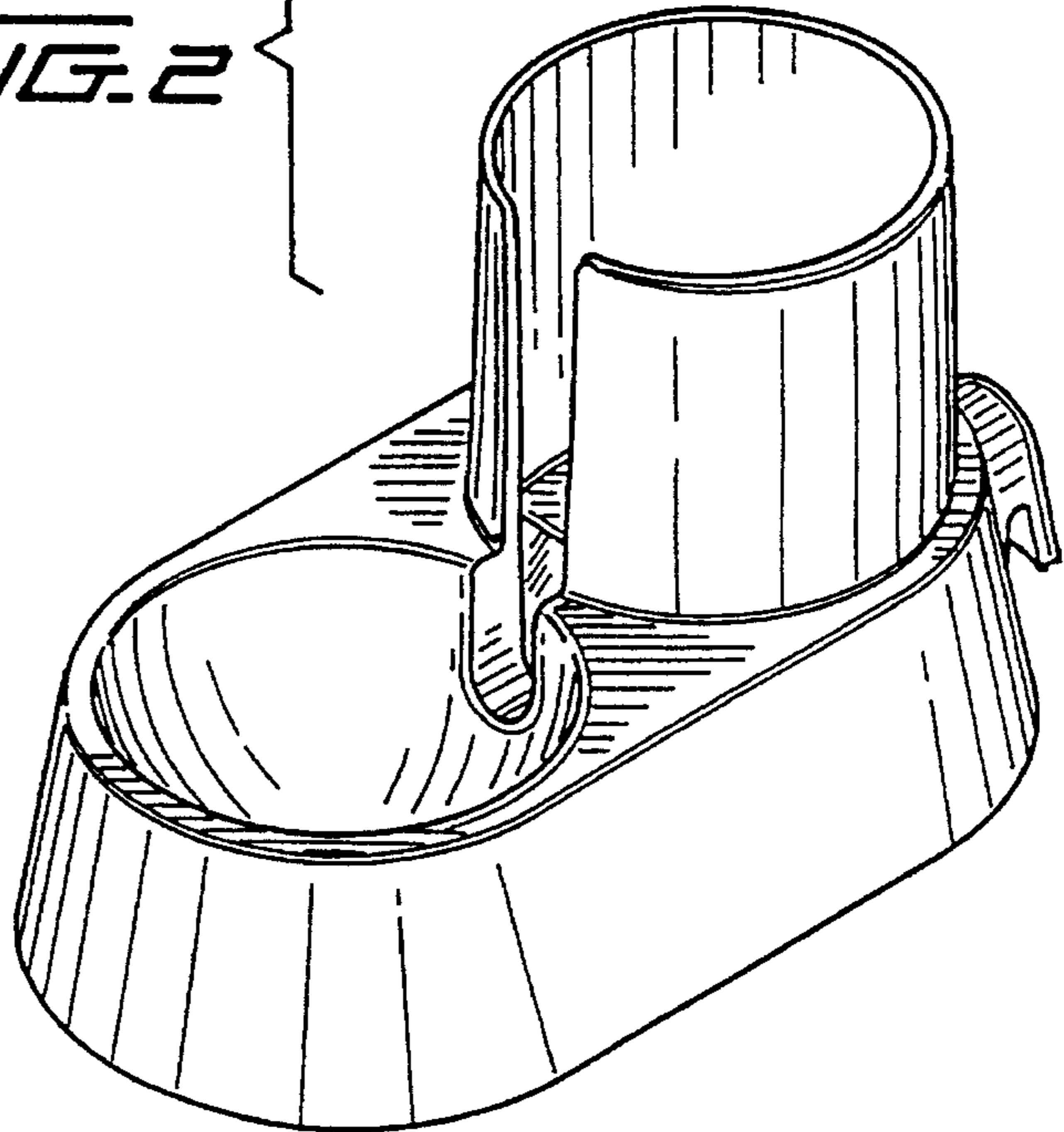


FIG. 2



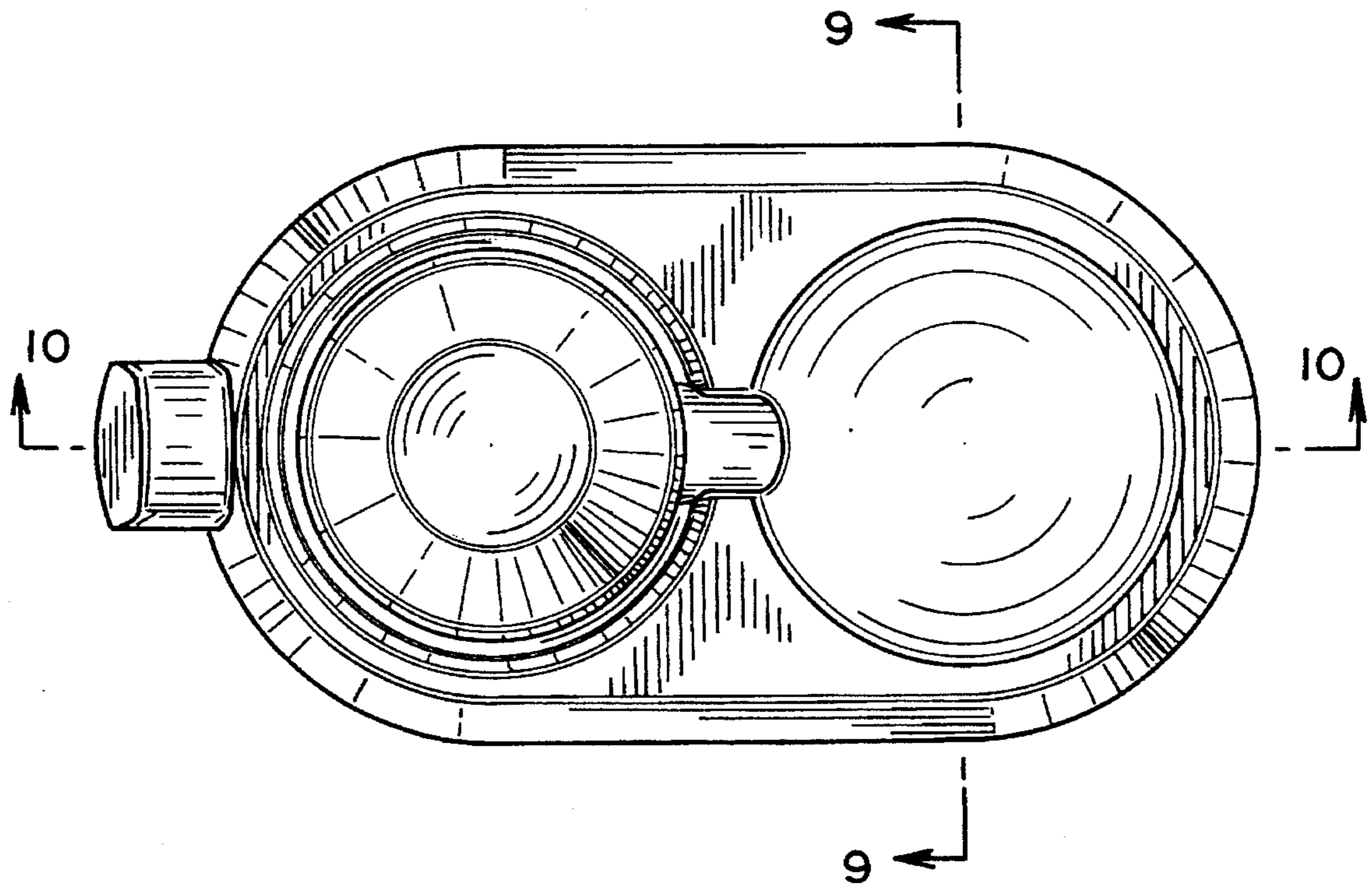


FIG. 3

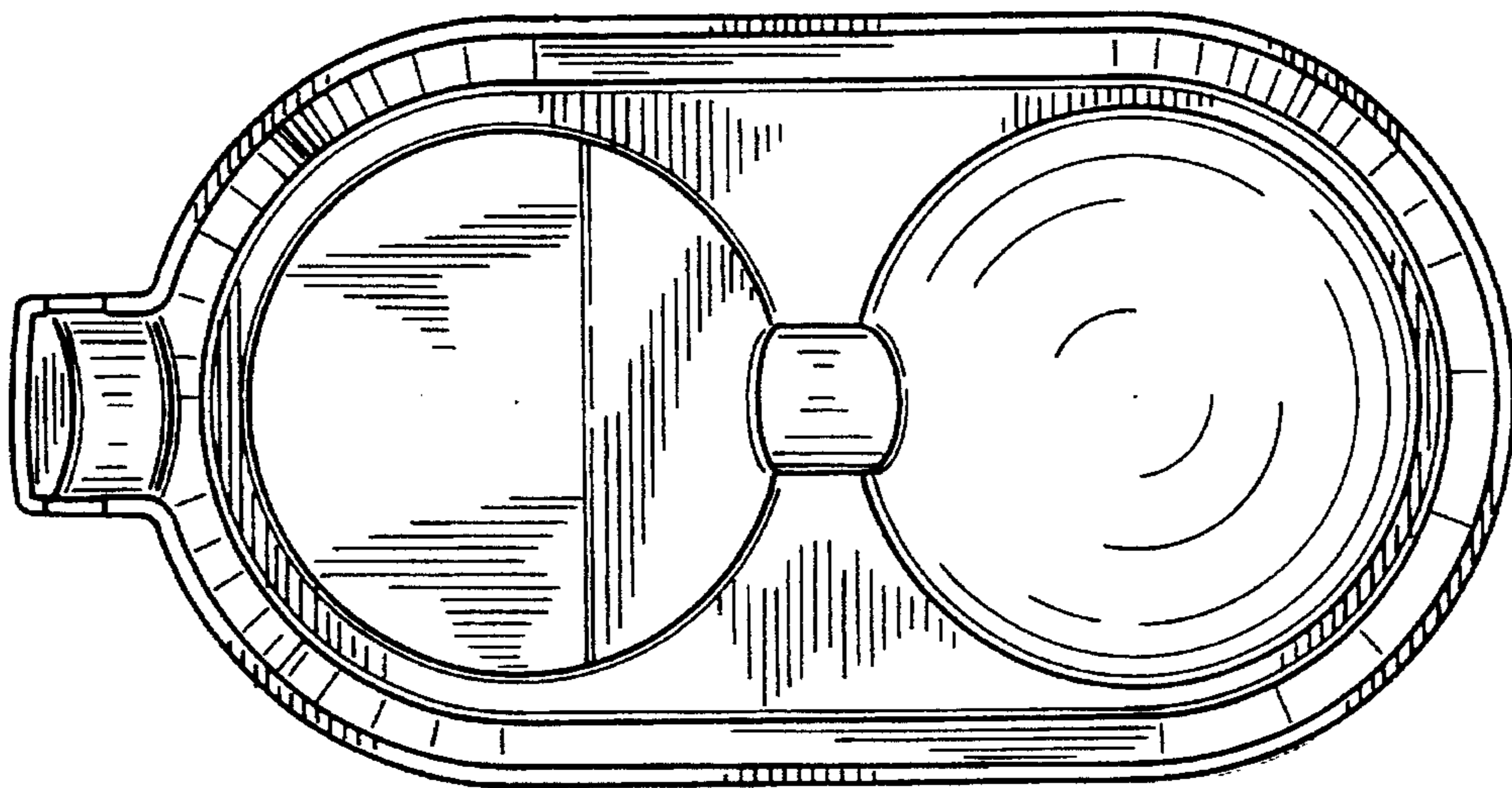


FIG. 4

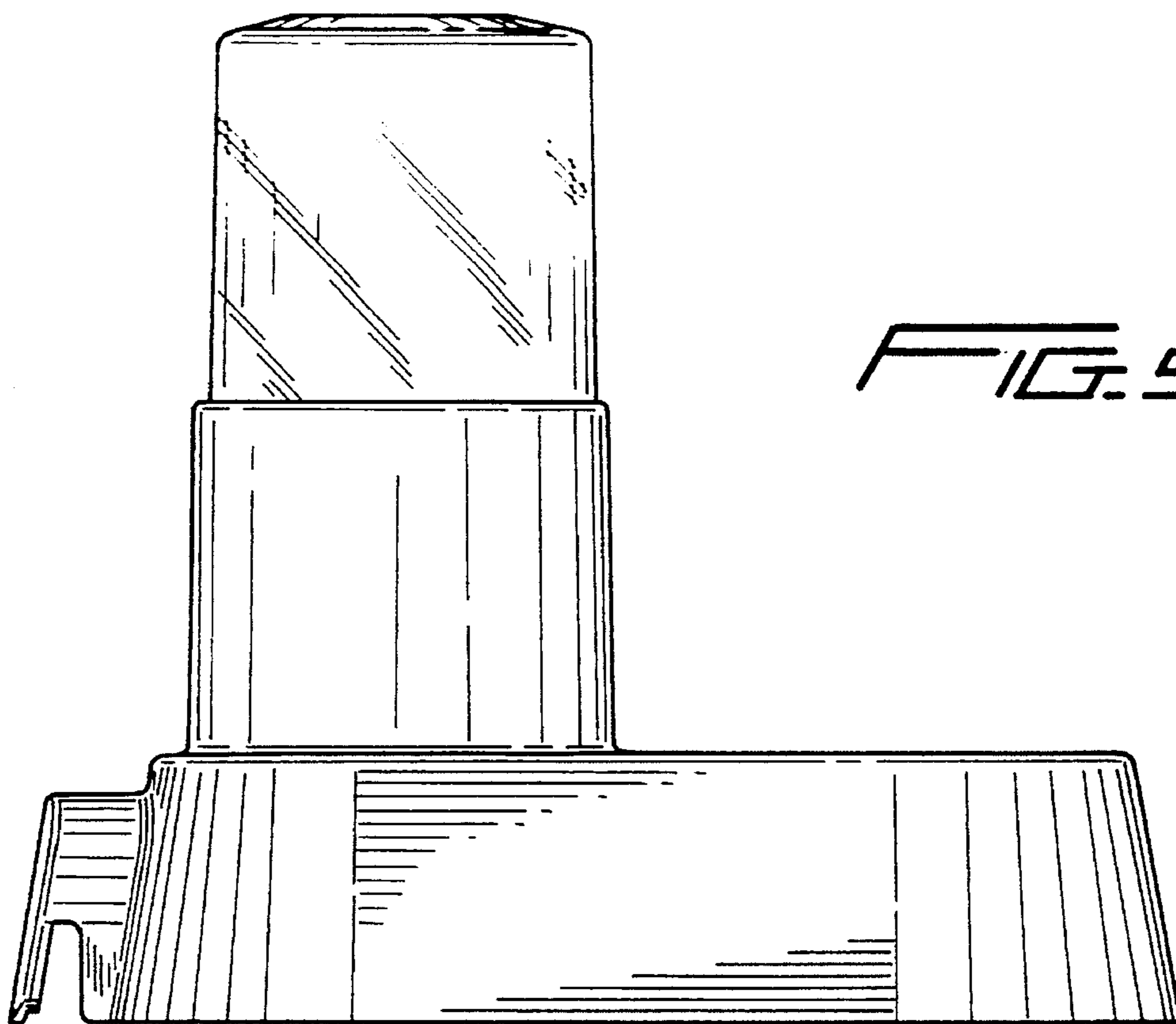


FIG. 5

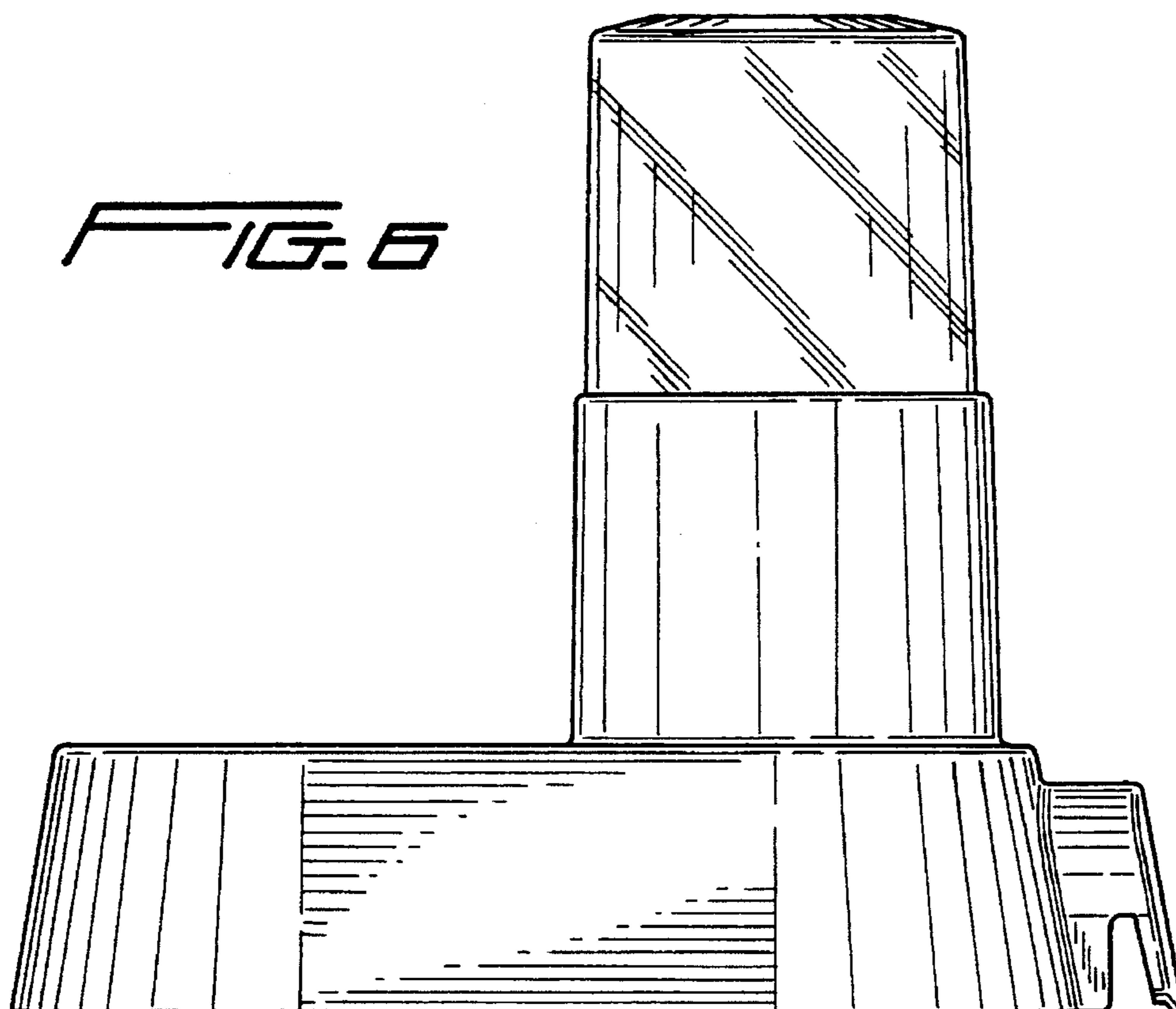


FIG. 6

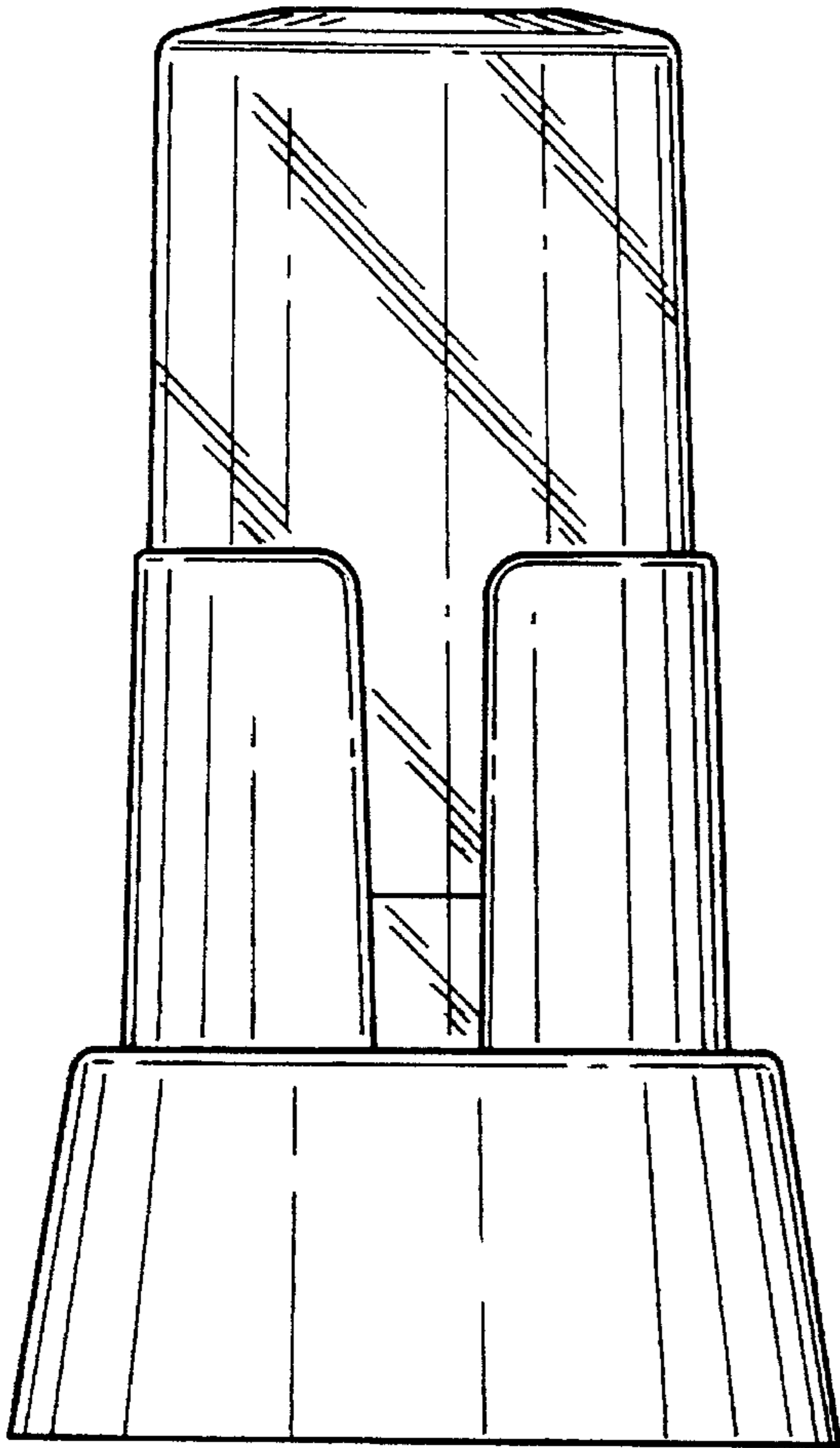


FIG. 7

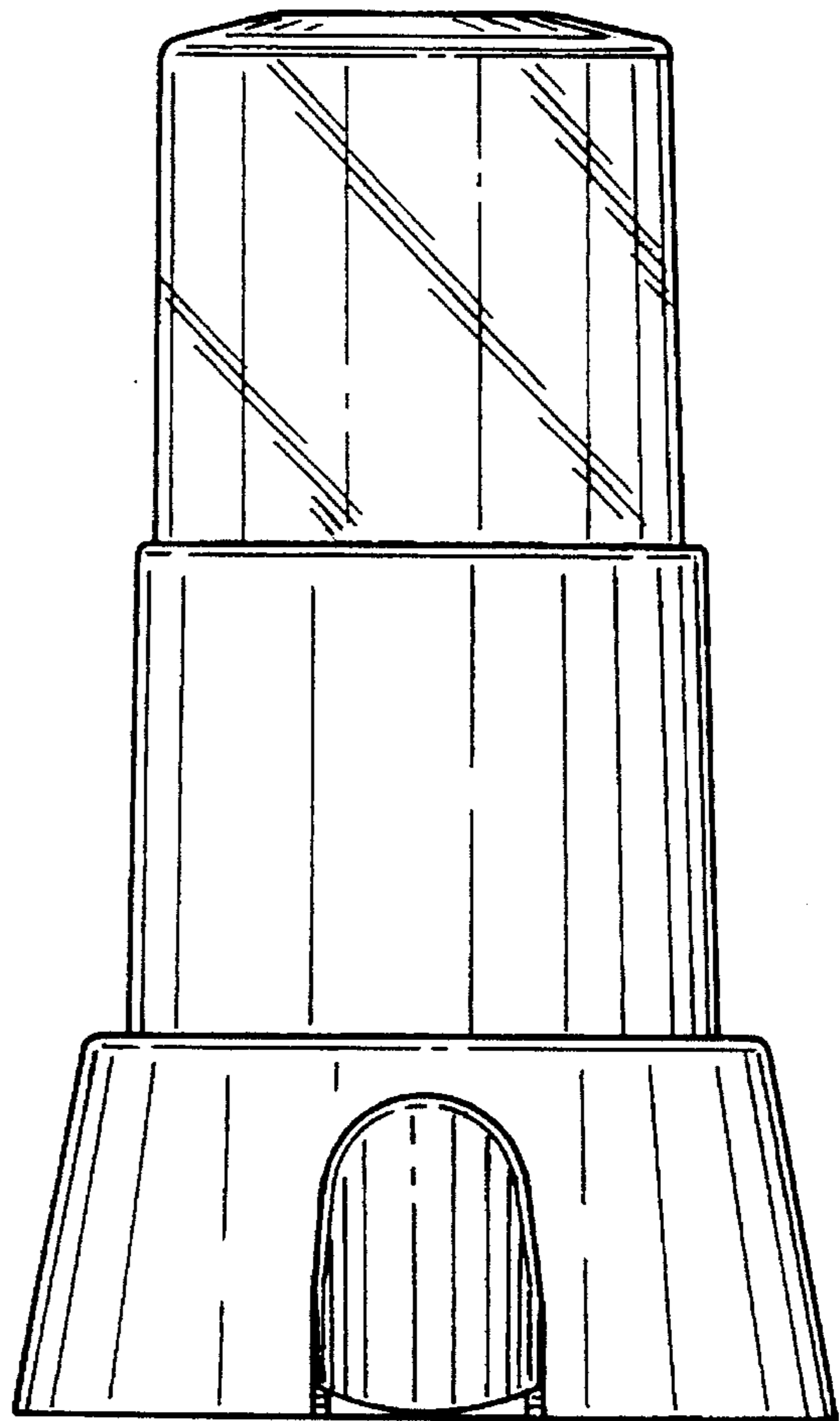


FIG. 8

FIG. 9

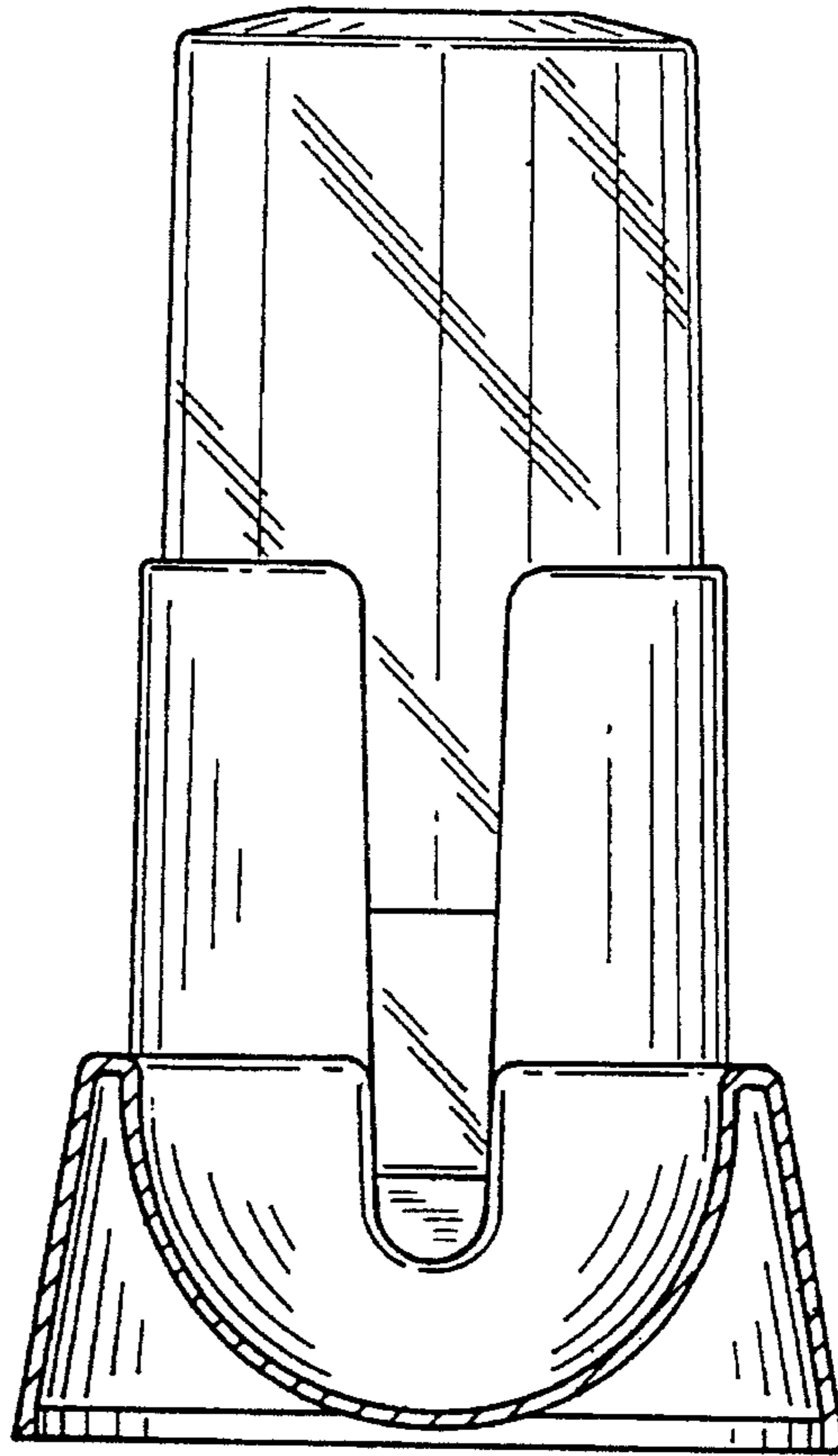


FIG. 10

