



US00D374513S

**United States Patent** [19]  
**Melvin**

[11] **Patent Number: Des. 374,513**  
[45] **Date of Patent: \*\*Oct. 8, 1996**

[54] **PET FEEDING TABLE**

[75] Inventor: **Johnny L. Melvin**, Roseboro, N.C.

[73] Assignee: **Alyce W. Pringle**, Raleigh, N.C.

[\*\*] Term: **14 Years**

[21] Appl. No.: **22,113**

[22] Filed: **May 2, 1994**

[52] **U.S. Cl.** ..... **D30/121**

[58] **Field of Search** ..... D30/121, 122,  
D30/129-133; 119/61, 51.5, 77; D7/502,  
504, 507, 543, 551, 553-556, 558, 584

[56] **References Cited**

**U.S. PATENT DOCUMENTS**

D. 89,262	2/1933	Nunimaker	.....	D30/130
D. 105,450	7/1937	Clifton	.....	D30/130
D. 237,787	11/1975	Weyrich	.....	D30/133
D. 258,018	1/1981	Venditto et al.	.....	D30/130
D. 315,974	4/1991	Steiner	.....	D30/131
D. 340,552	10/1993	Smith	.....	D30/121
D. 342,350	12/1993	Gower	.....	D30/133
3,651,787	3/1972	Cooper	.....	119/51.5
3,693,555	4/1972	Holtzmann	.....	D7/507
4,699,089	10/1987	Teschke	.....	119/51.5

**OTHER PUBLICATIONS**

Sturbridge Yankee Workshop Catalog; p. 45; Dog Feeder.

*Primary Examiner*—Cathy Anne MacCormac  
*Attorney, Agent, or Firm*—John G. Mills and Associates

[57] **CLAIM**

The ornamental design for a pet feeding table, as shown and described.

**DESCRIPTION**

FIG. 1 is a front left perspective view of the pet feeding table of the present invention;

FIG. 2 is a top plan view thereof;

FIG. 3 is a reduced front elevational view thereof, the rear being identical;

FIG. 4 is a bottom plan view thereof;

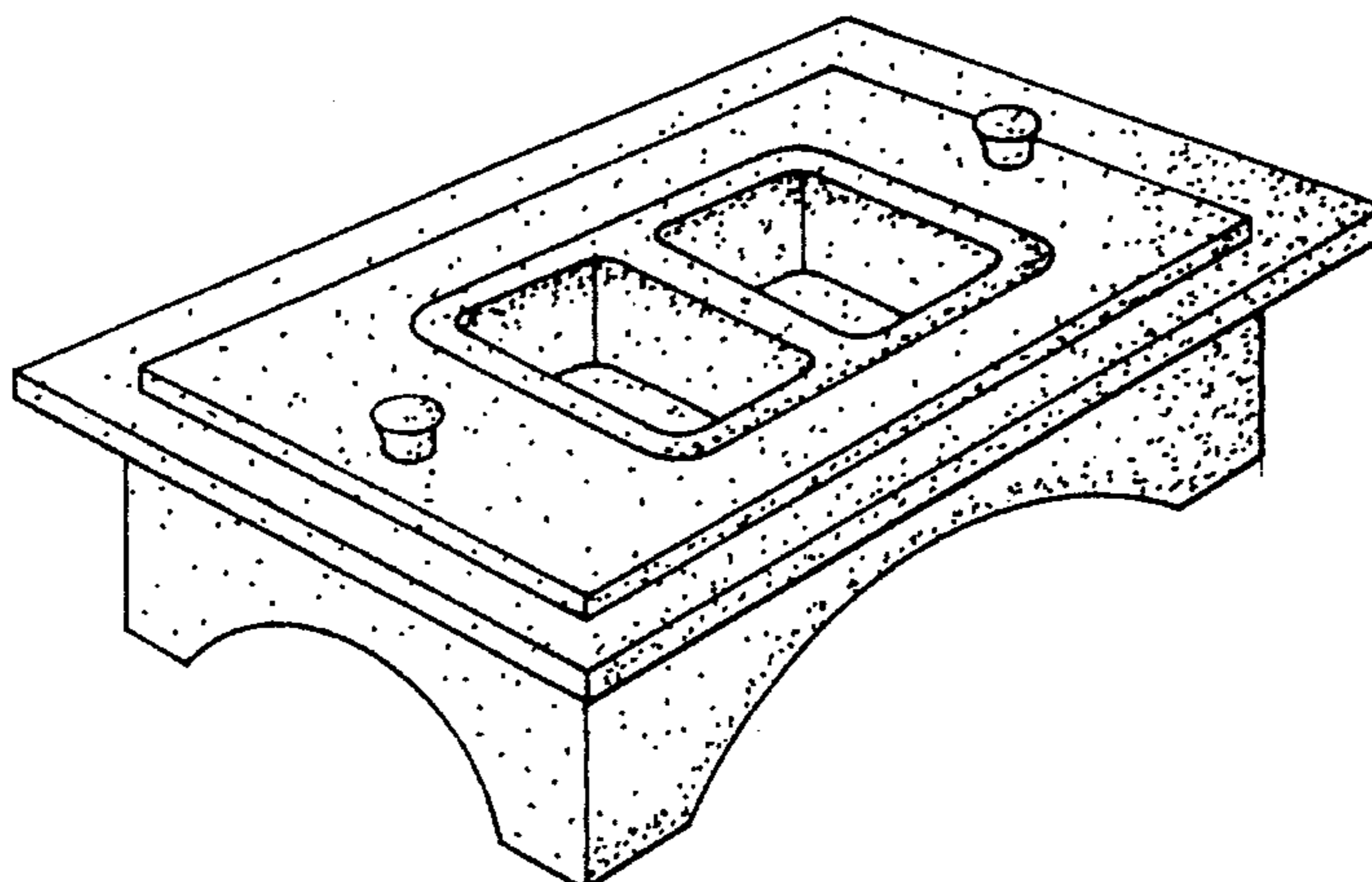
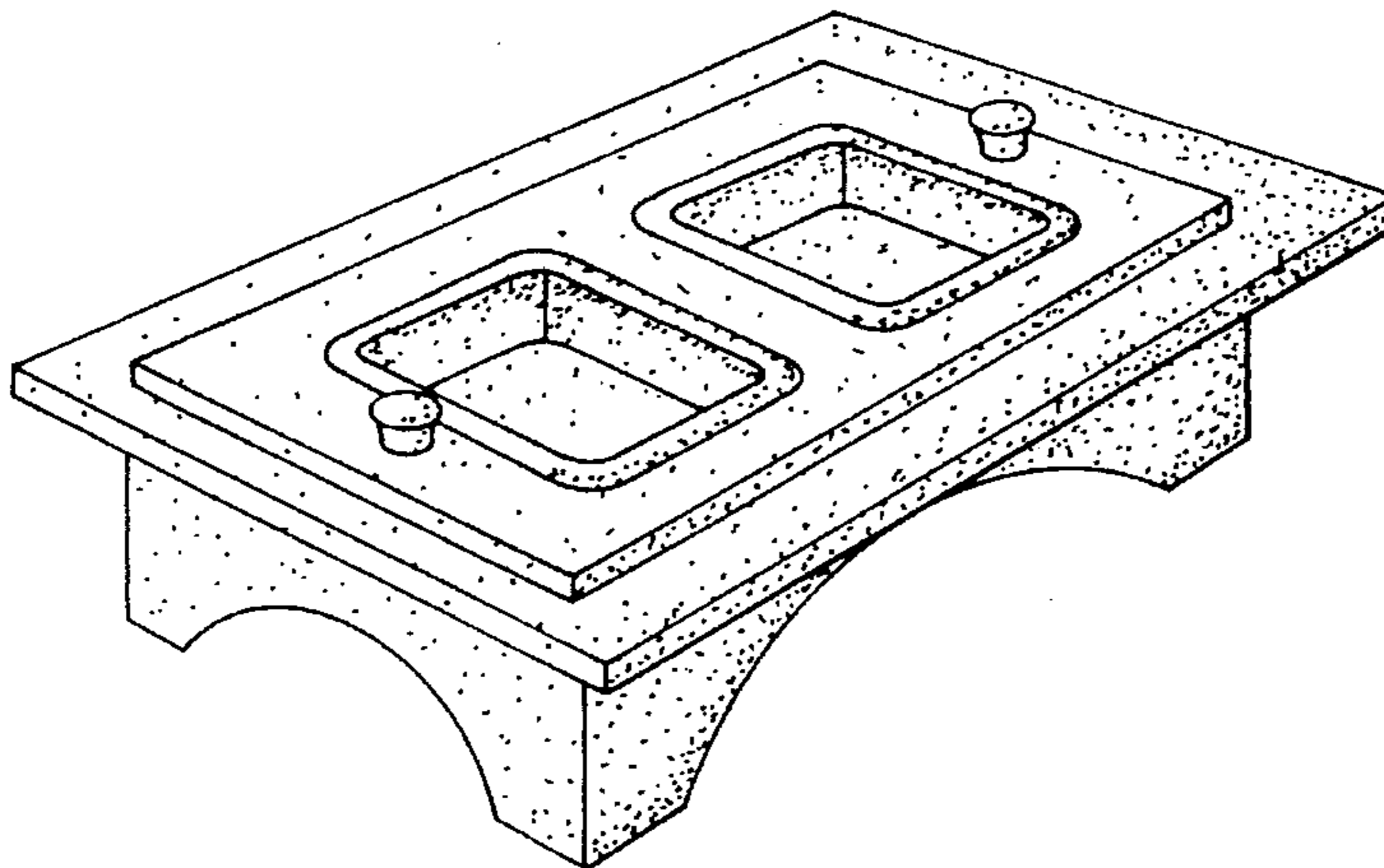
FIG. 5 is a reduced left side elevational view thereof, the rear being identical;

FIG. 6 is a front, left perspective view of a second embodiment of FIG. 1;

FIG. 7 is a bottom plan view of FIG. 6, the left and right sides being identical to FIG. 5 of the first embodiment; and,

FIG. 8 is a reduced front elevational view of FIG. 6, the rear being identical.

**1 Claim, 3 Drawing Sheets**



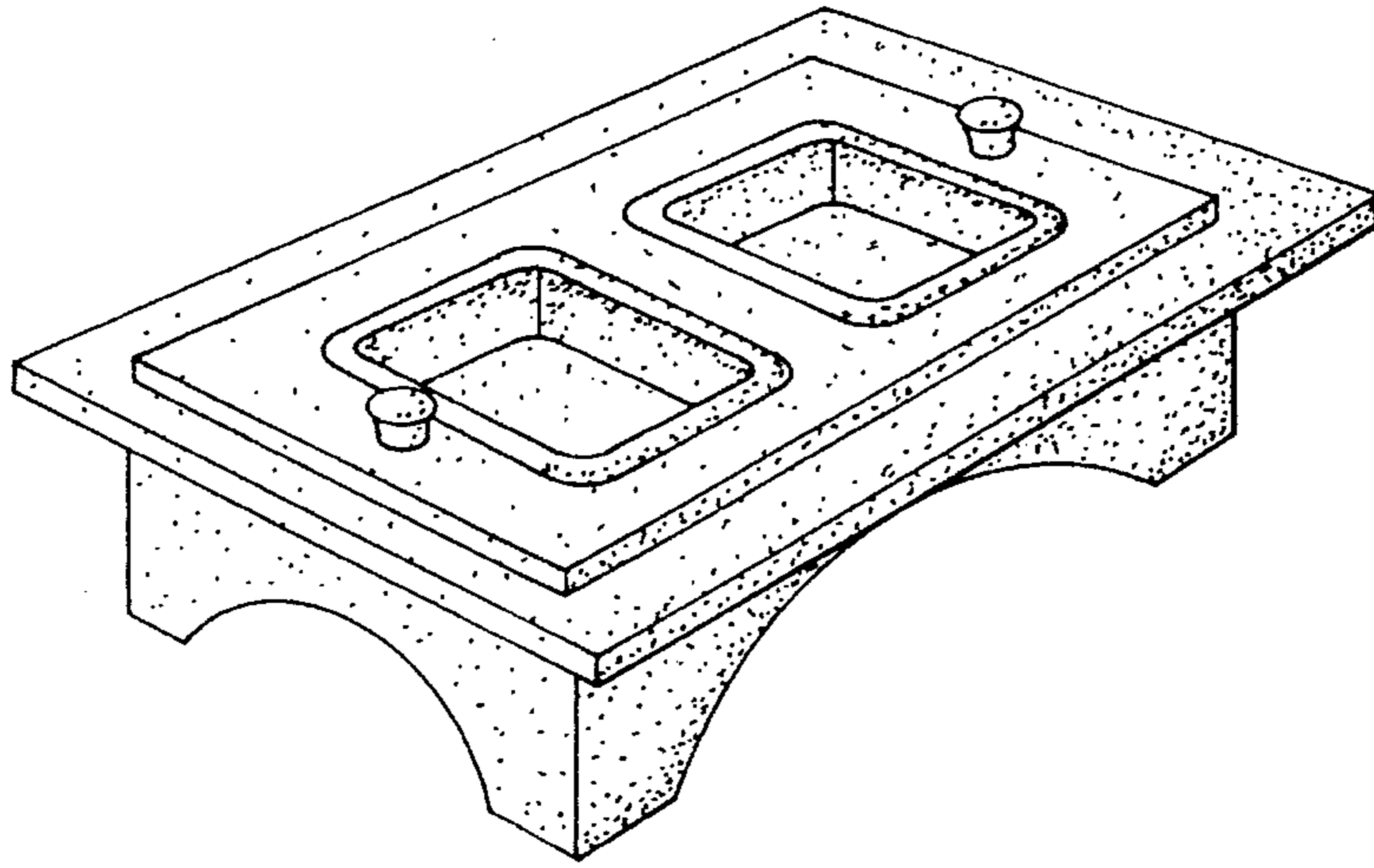


FIG. 1

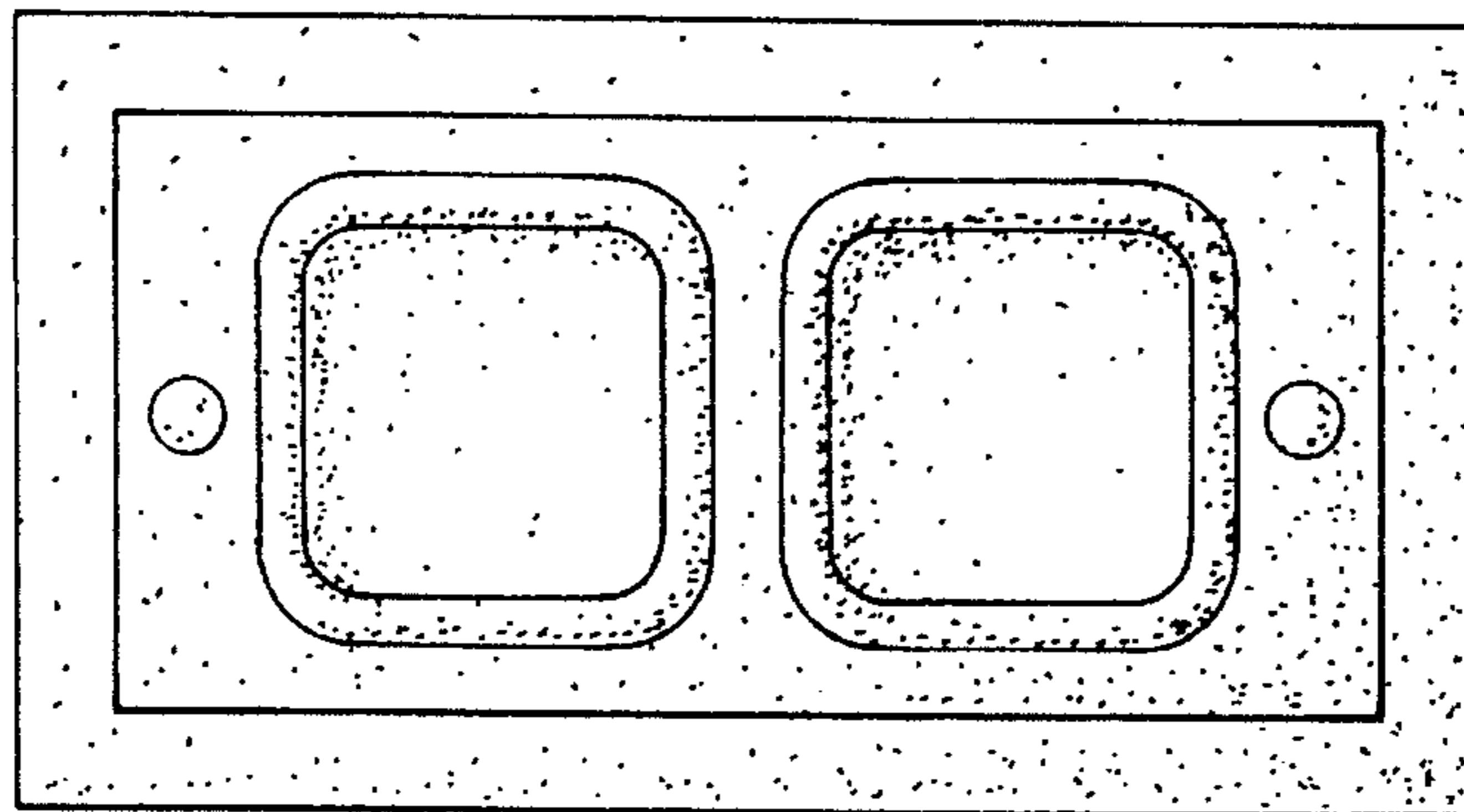


FIG. 2

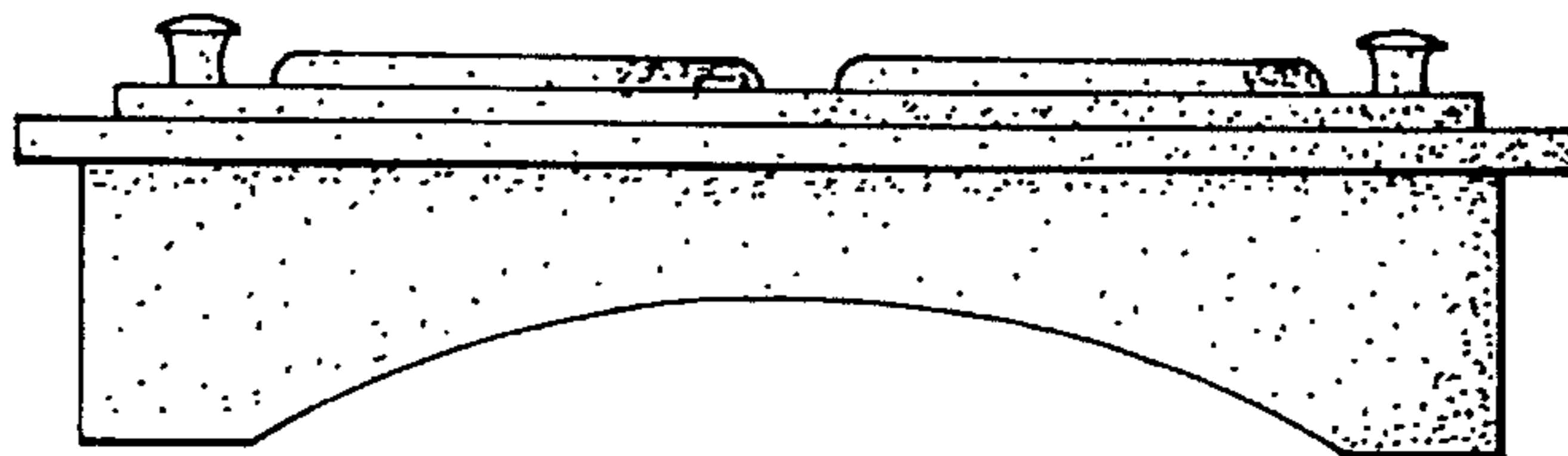


FIG. 3

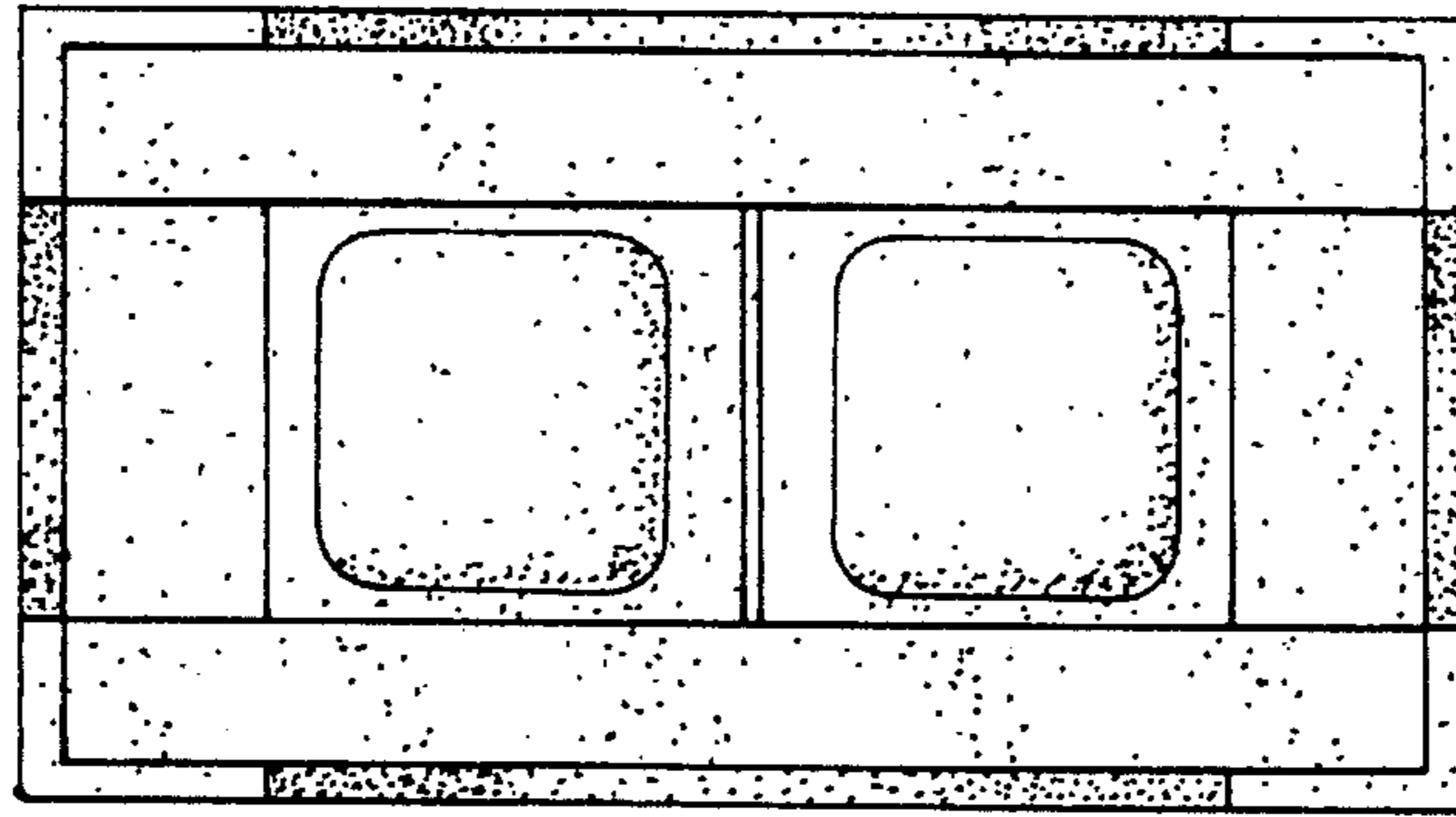


FIG. 4

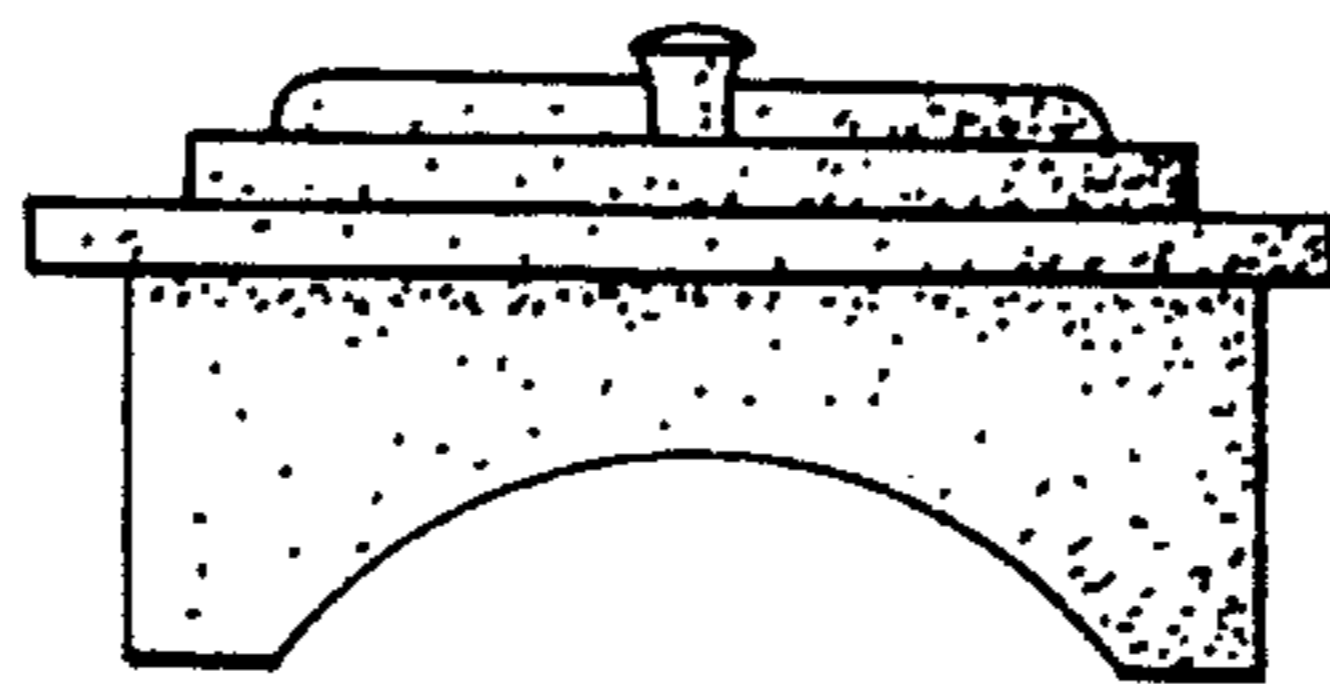


FIG. 5

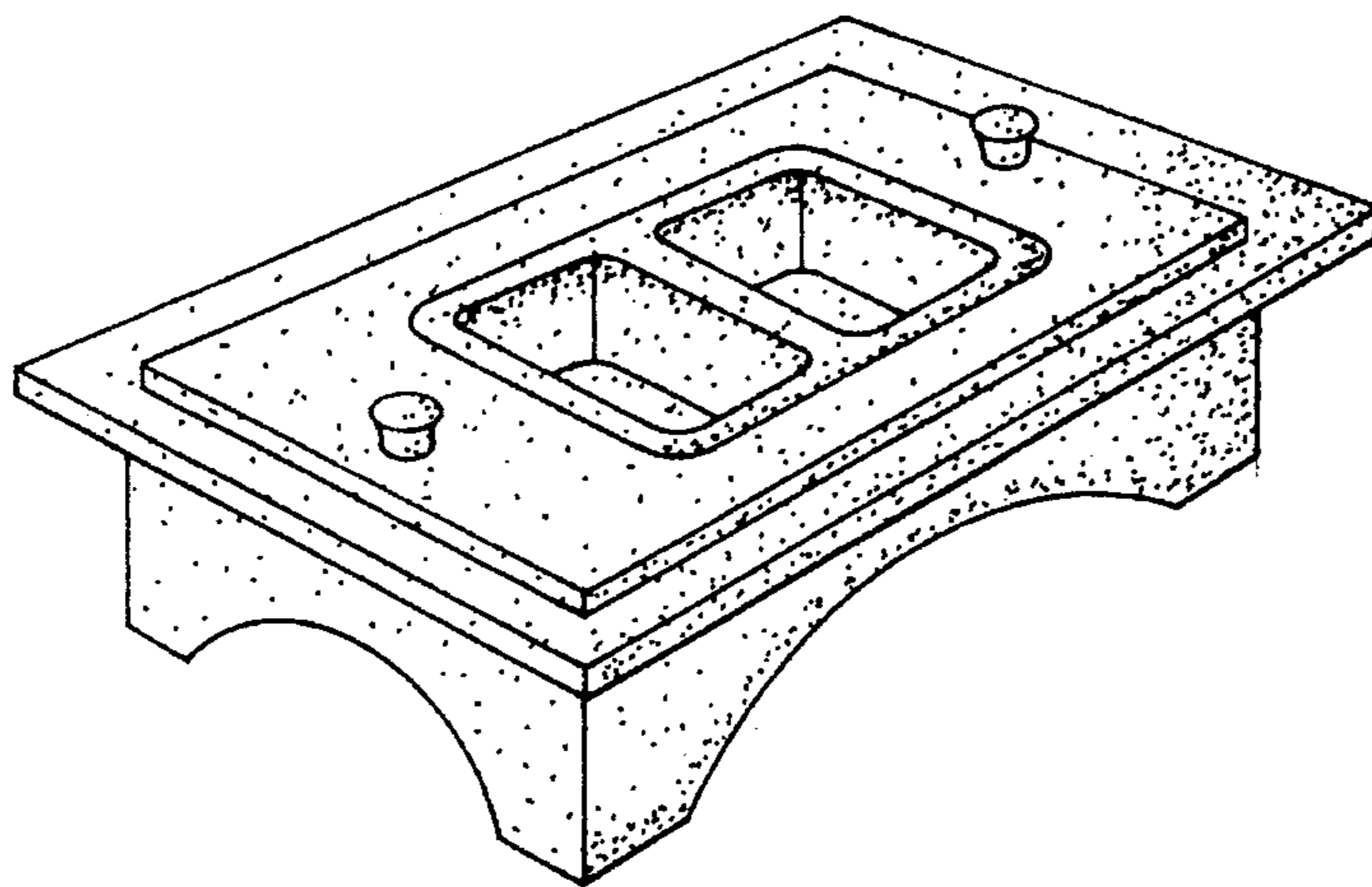


FIG. 6

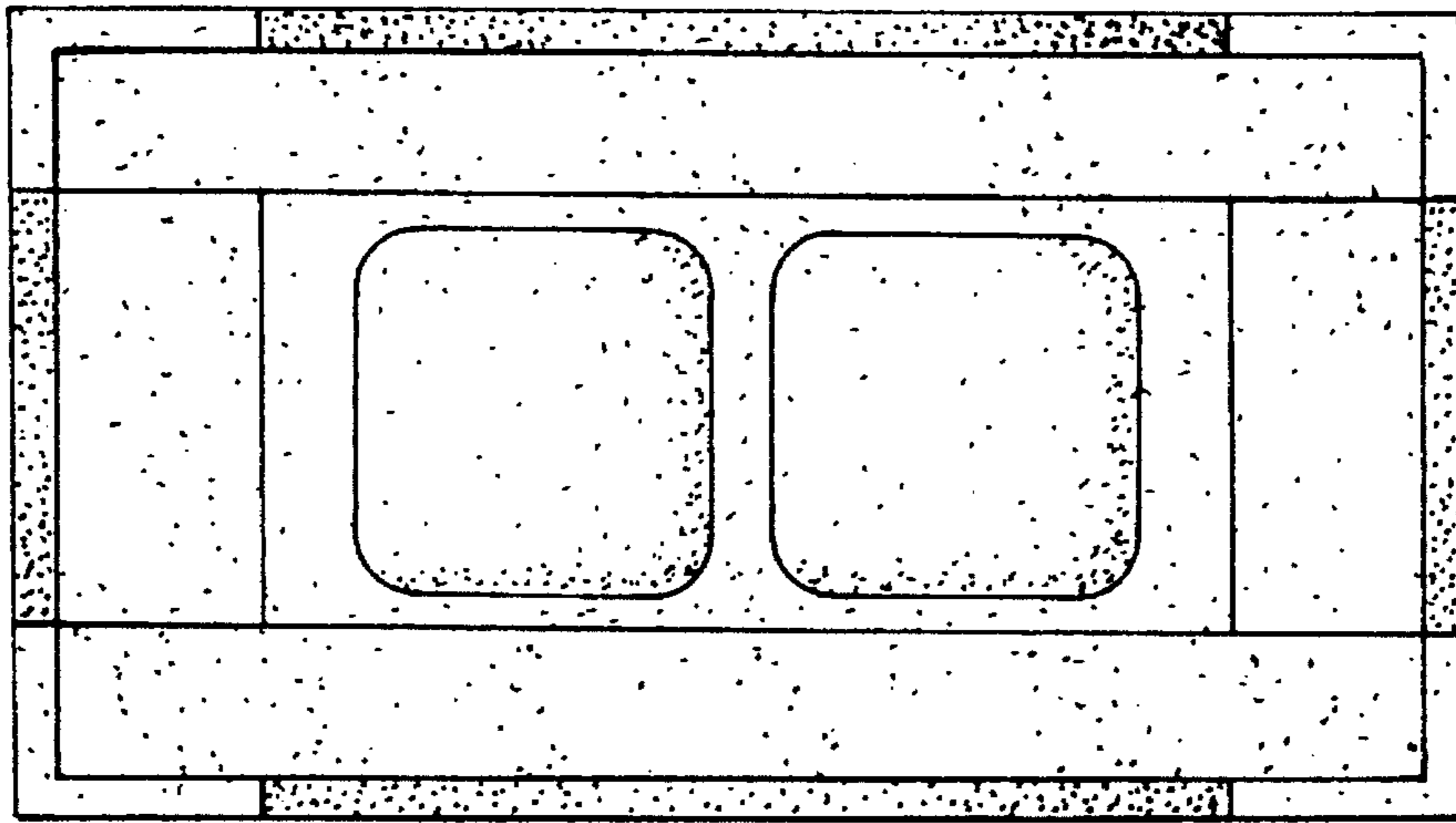


FIG. 7

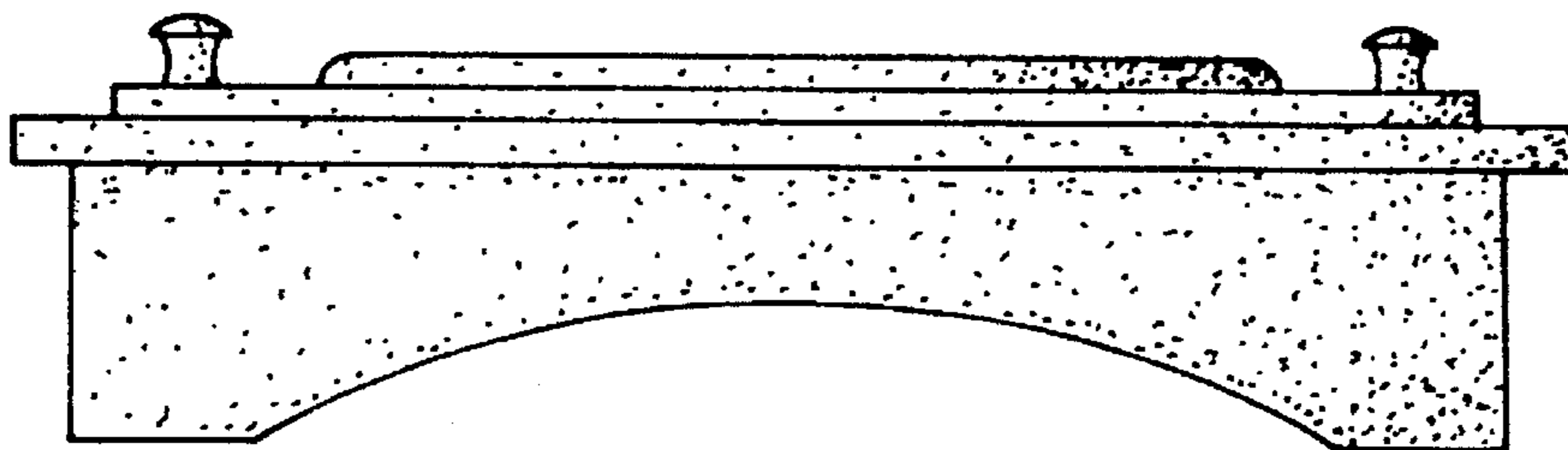


FIG. 8