



US00D374506S

United States Patent [19] O'Neil

[11] **Patent Number:** **Des. 374,506**
[45] **Date of Patent:** ****Oct. 8, 1996**

[54] **CHILD RESTRAINT**

[76] **Inventor:** **Virginia I. O'Neil**, 1716 Sunset St.,
Barstow, Calif. 92311

[**] **Term:** **14 Years**

[21] **Appl. No.:** **33,113**

[22] **Filed:** **Jan. 5, 1995**

[52] **U.S. Cl.** **D29/101**

[58] **Field of Search** **D29/101; 128/875;**
297/484, 465; 119/770, 857, 907; 280/801.1,
808; D2/624, 626; 2/44, 49.3, 311, 312

[56] **References Cited**

U.S. PATENT DOCUMENTS

D. 290,576	1/1994	Di Floria et al.	D29/101
D. 290,765	7/1987	Callahan .	
293,799	2/1884	Simkin	D29/101 X
D. 343,257	7/1990	Joachim	D29/101
1,310,958	7/1919	O'Connor	D29/101 X
1,651,561	12/1927	Storey	D29/101 X
2,212,746	8/1940	Nunn	119/770
4,479,267	10/1984	Radowsky, Jr.	D29/101 X

4,702,523	10/1987	Schrader et al. .	
4,854,607	8/1989	Mandracchia et al.	D29/101 X
5,069,168	12/1991	Roberson et al. .	
5,074,588	12/1991	Huspen .	
5,259,338	11/1993	Cornell .	

Primary Examiner—Prabhakar G. Deshmukh
Assistant Examiner—Paula Mortimer

[57] **CLAIM**

The ornamental design for the child restraint, as shown and described.

DESCRIPTION

FIG. 1 is a front elevational view of the child restraint showing my new design;
FIG. 2 is a rear elevational view thereof;
FIG. 3 is a left side elevational view thereof;
FIG. 4 is a right side elevational view thereof;
FIG. 5 is a top plan view thereof; and,
FIG. 6 is a bottom plan view thereof.
The strap in FIGS. 5 and 6 is broken away to show indeterminate length.

1 Claim, 3 Drawing Sheets

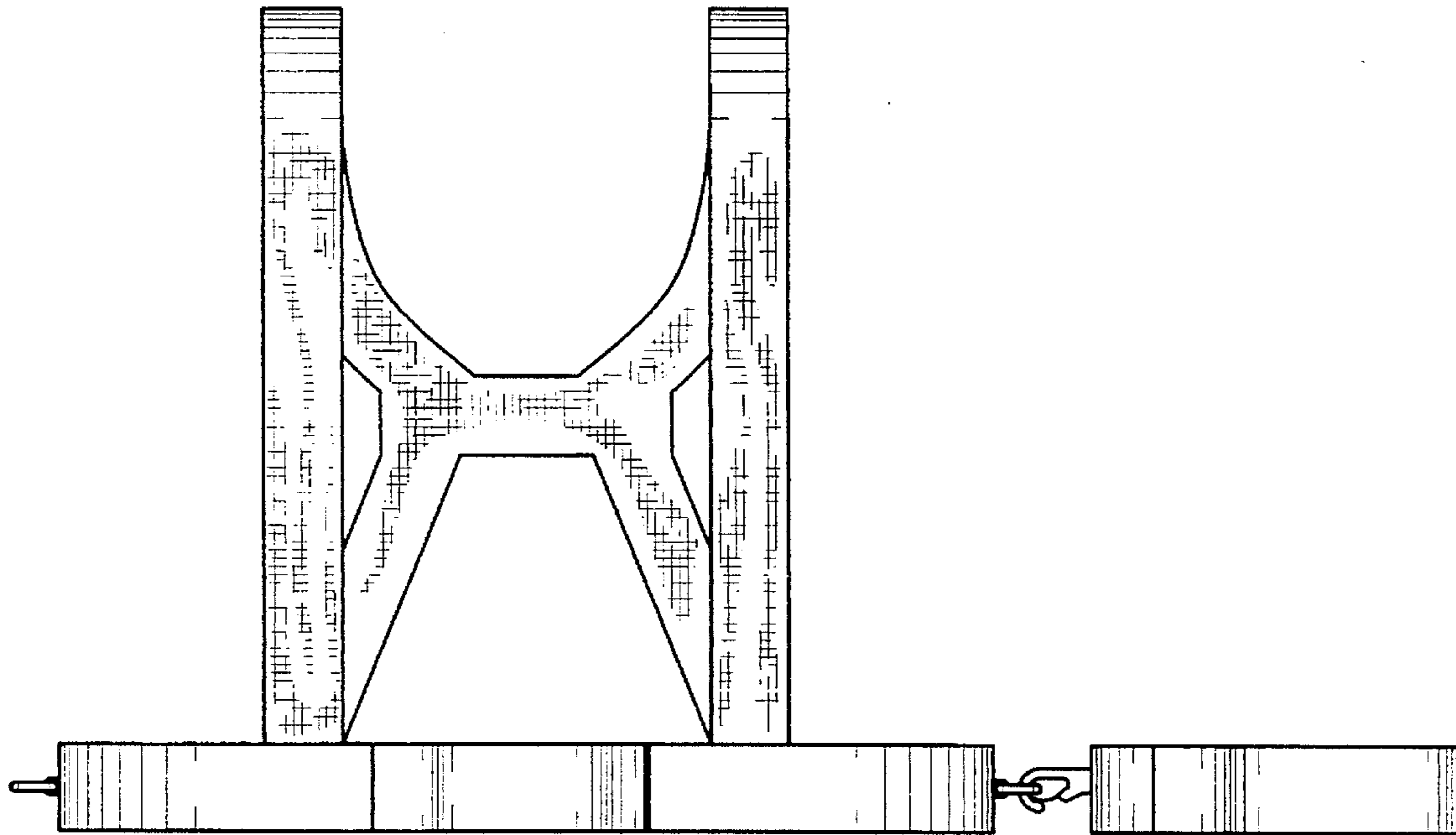


FIG. 1

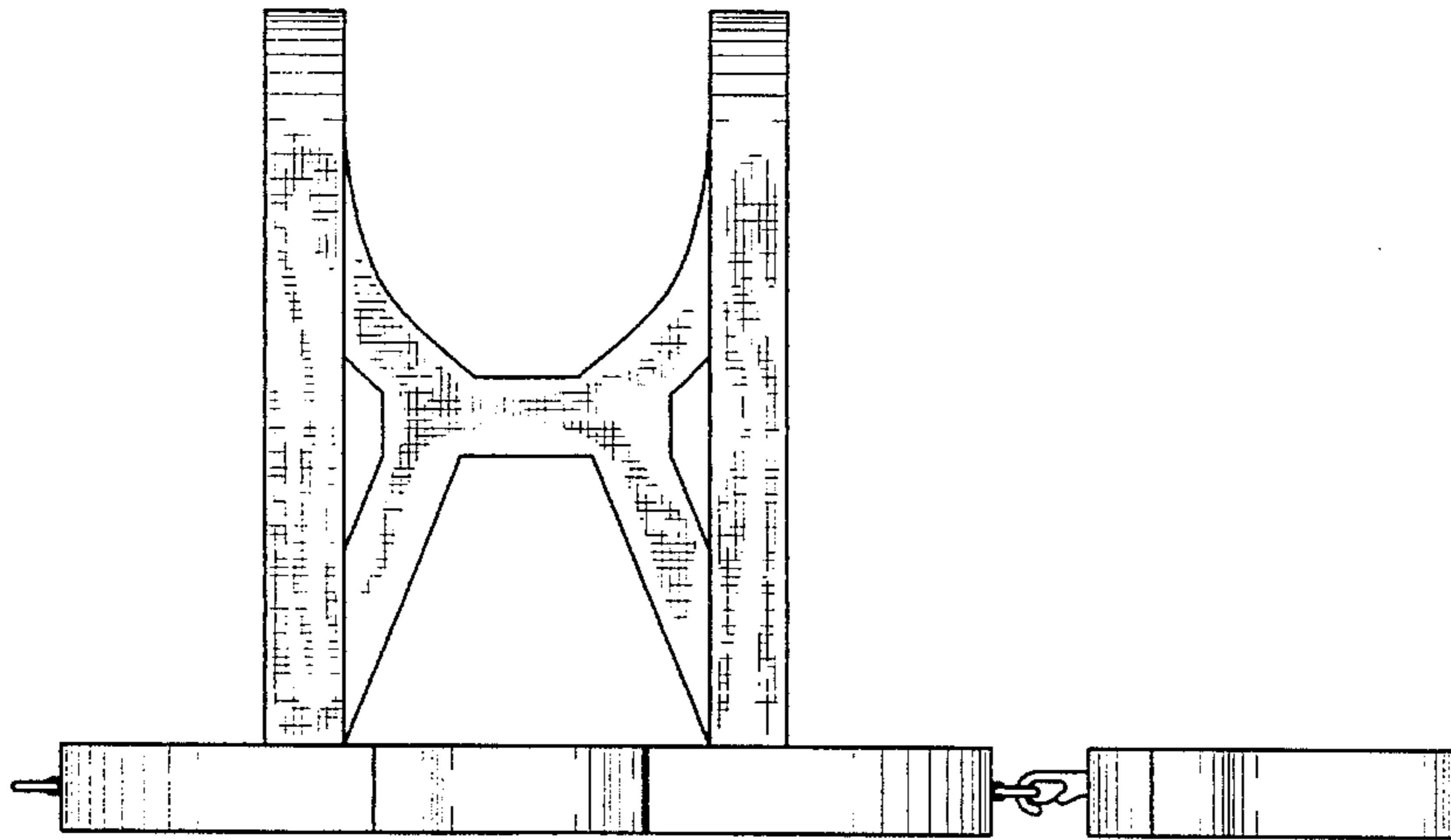


FIG. 2

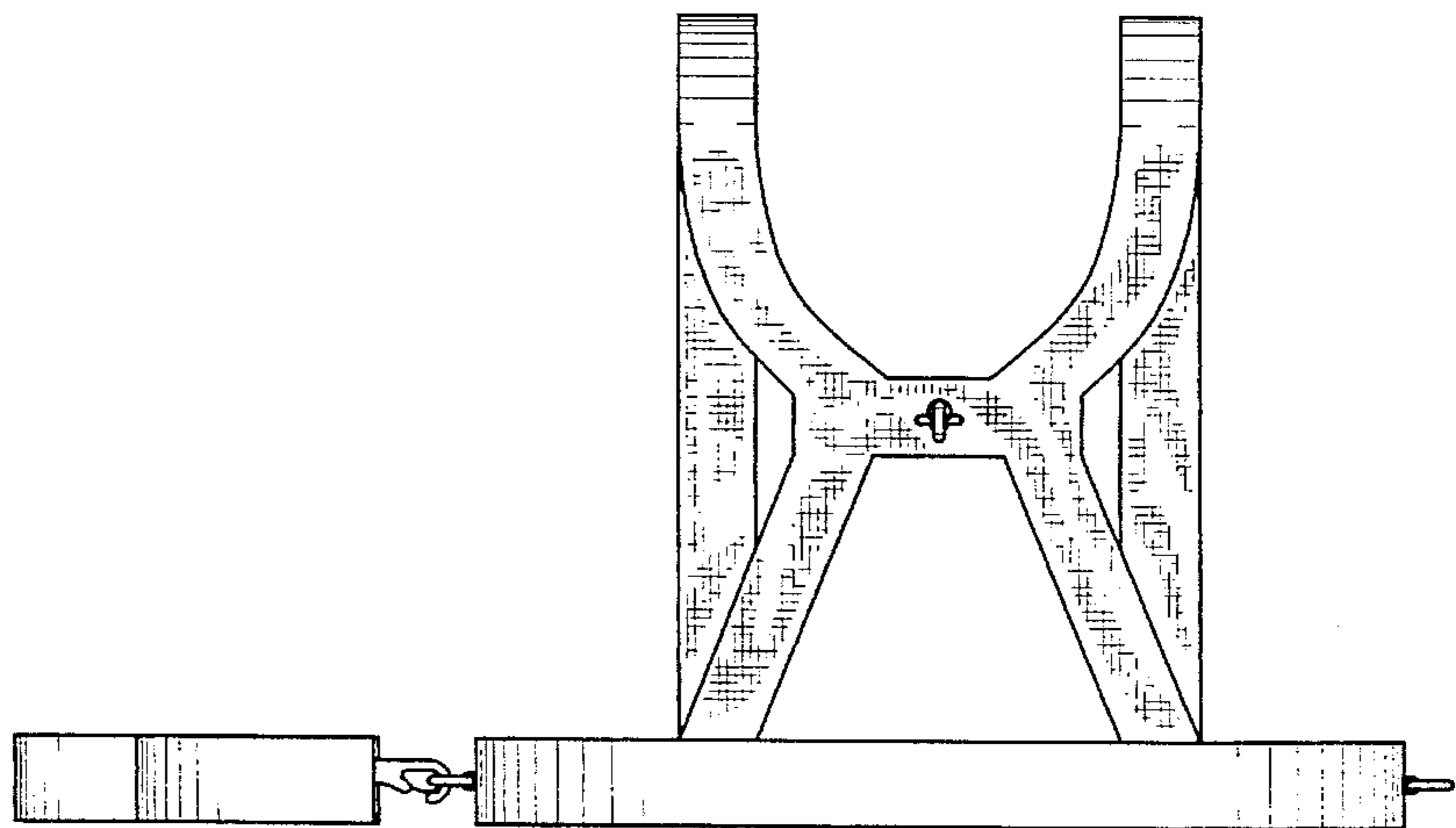


FIG. 3

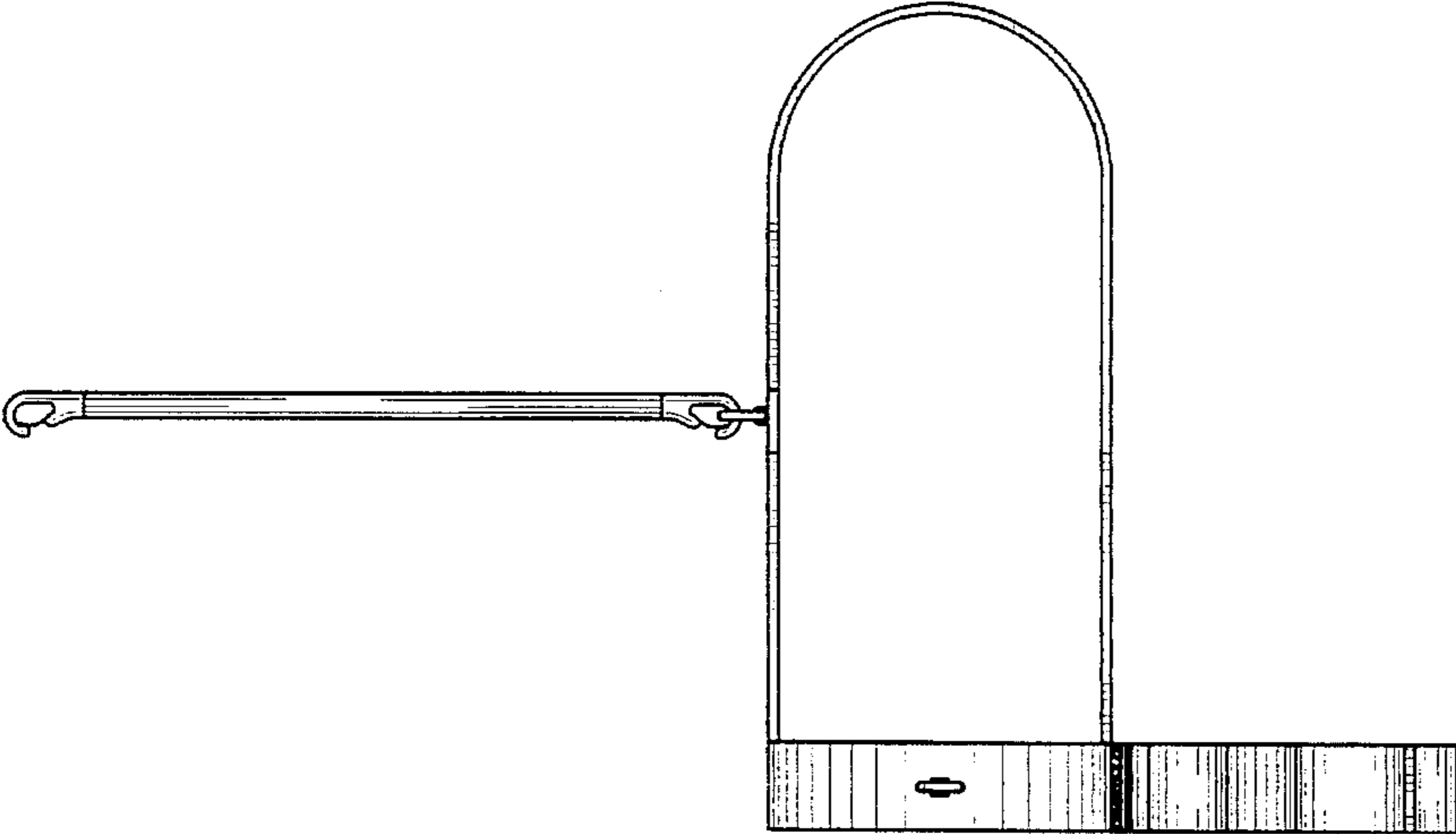


FIG. 4

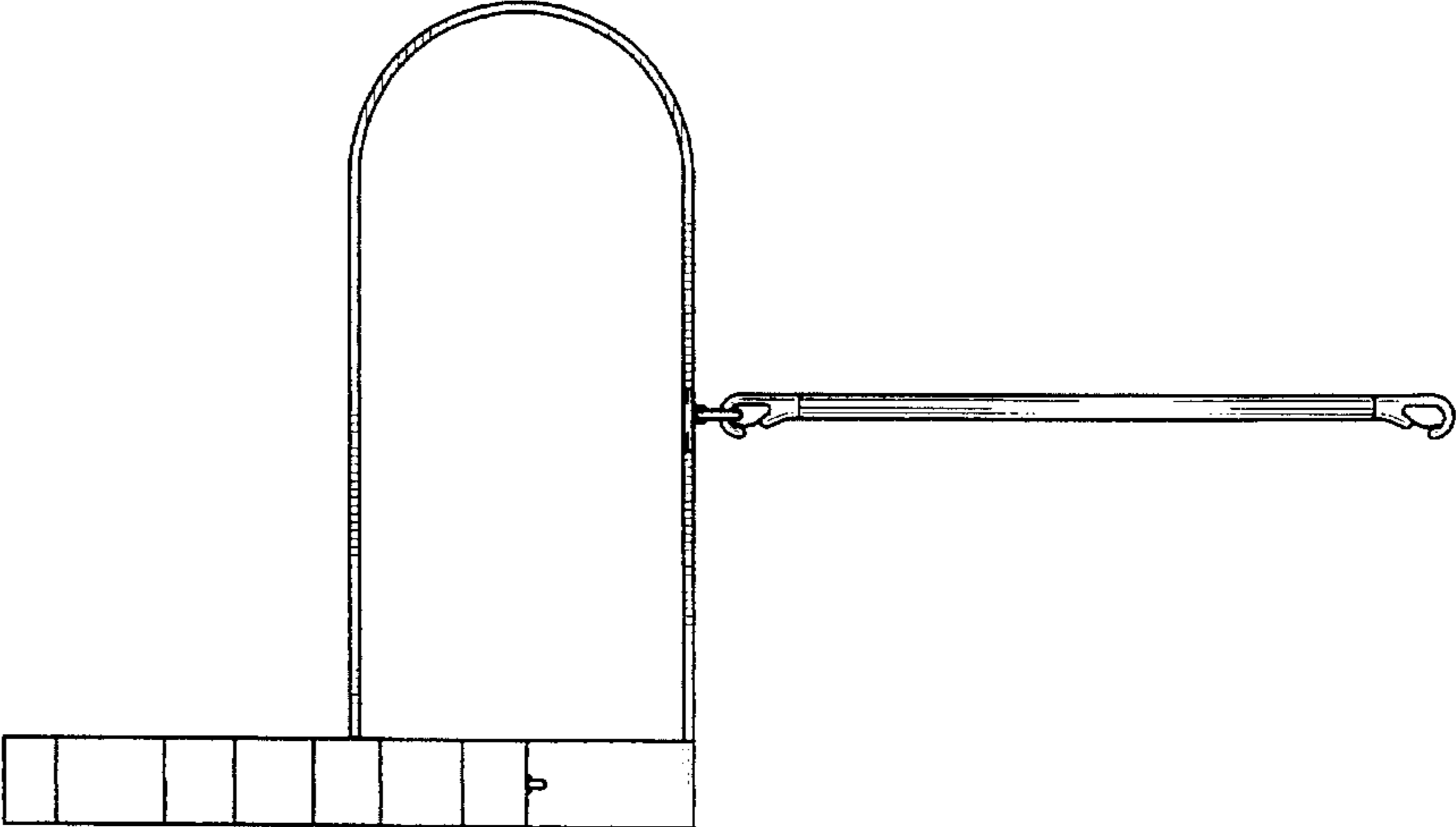


FIG. 5

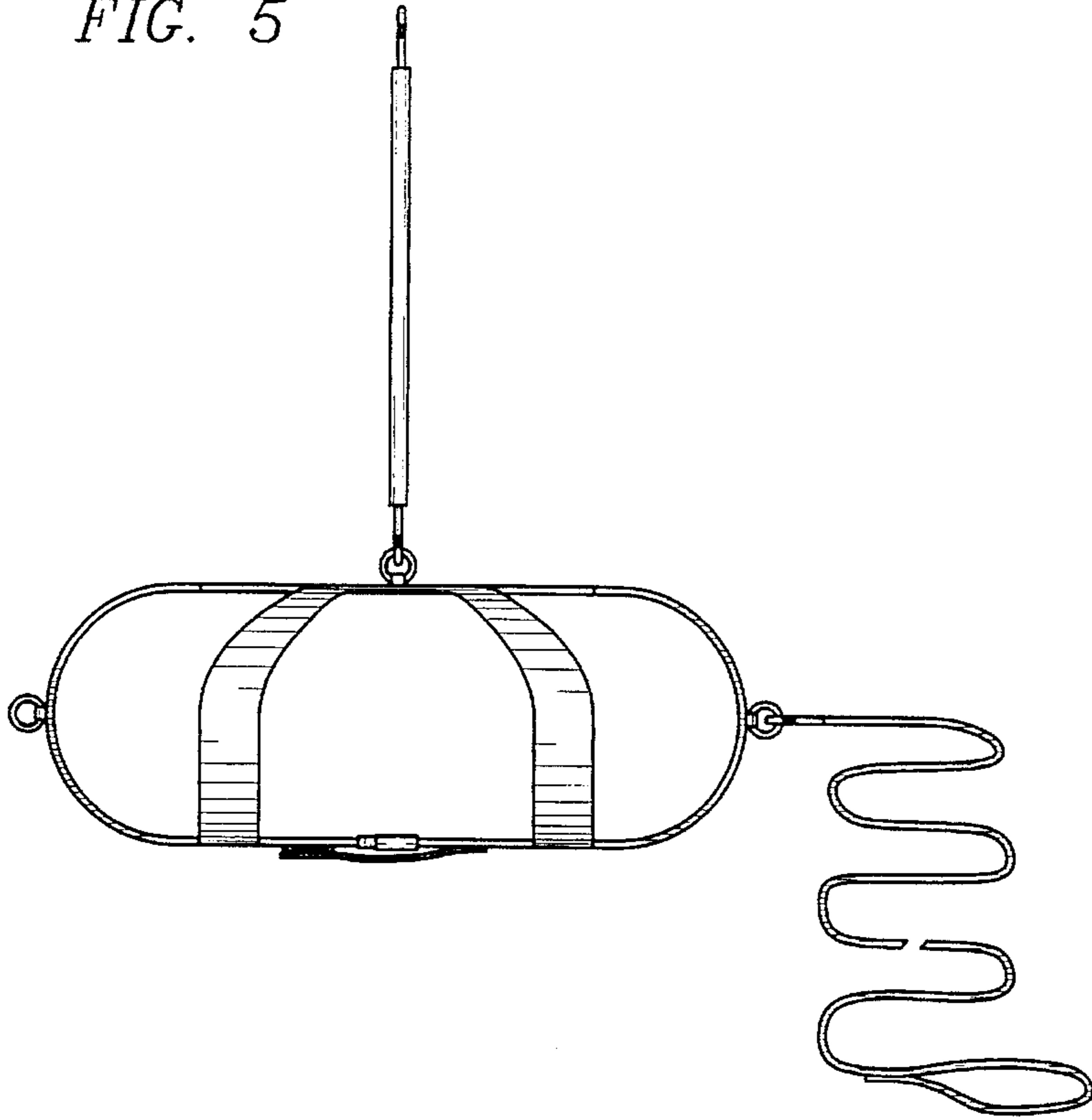


FIG. 6

