



US00D374505S

United States Patent [19]

Garrison

[11] Patent Number: **Des. 374,505**

[45] Date of Patent: ****Oct. 8, 1996**

[54] **FOOT SCRUBBING BRUSH**

[76] Inventor: **Mark Garrison**, Box 48896, Sarasota, Fla. 34230-5896

[**] Term: **14 Years**

[21] Appl. No.: **24,097**

[22] Filed: **Jun. 8, 1994**

[52] U.S. Cl. **D28/63; D32/47**

[58] Field of Search **D4/119-120, 130; D28/63; D32/47; 4/605-606; 15/110, 112, 159.1, 160, 161, 186-188**

[56] **References Cited**

U.S. PATENT DOCUMENTS

D. 280,868	10/1985	Russell	D4/119 X
D. 283,850	5/1986	Miller	D4/120
926,462	6/1909	Blowers	15/188
1,327,943	1/1920	Cohen	15/112

Primary Examiner—A. Hugo Word
Assistant Examiner—Lavone D. Tabor
Attorney, Agent, or Firm—Charles J. Prescott

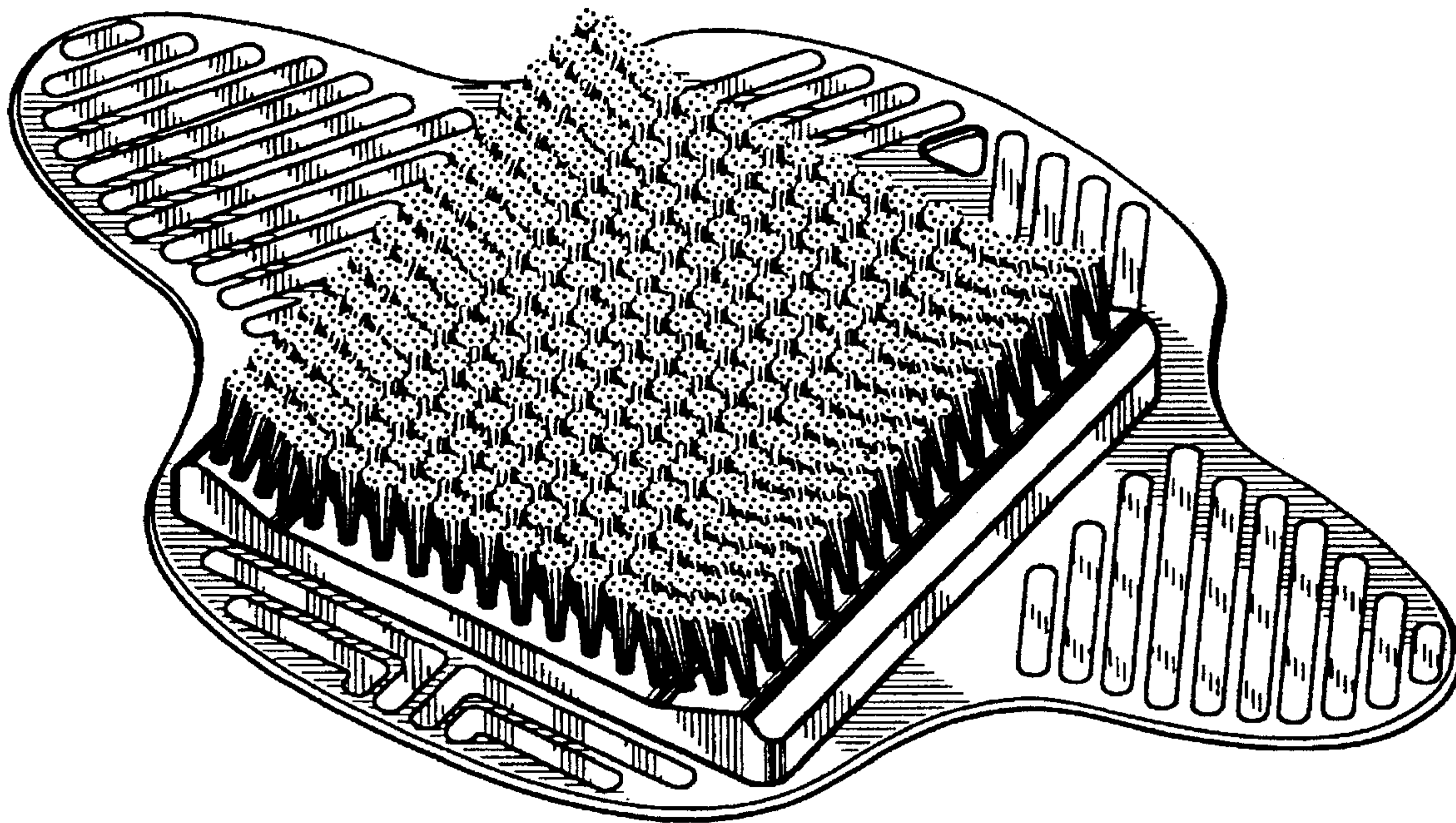
[57] **CLAIM**

The ornamental design for a foot scrubbing brush, as shown and described.

DESCRIPTION

FIG. 1 is a top plan view of a foot scrubbing brush showing my new design;
FIG. 2 is a bottom plan view thereof;
FIG. 3 is a right end elevation view, the left elevation view being a mirror image thereof;
FIG. 4 is a front elevation view, the rear elevation view being a mirror image thereof;
FIG. 5 is a top perspective view thereof; and,
FIG. 6 is a bottom perspective view thereof.

1 Claim, 3 Drawing Sheets



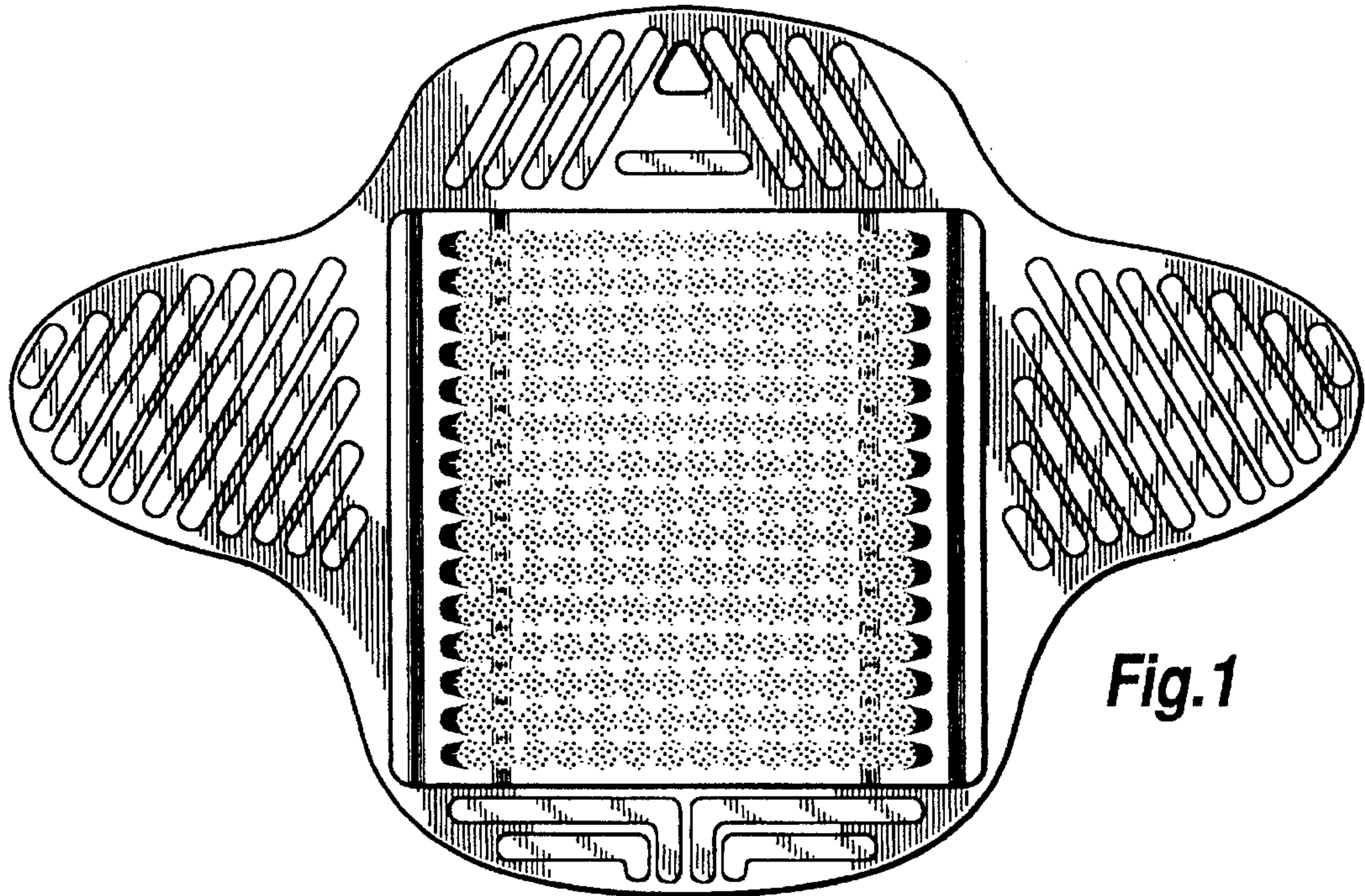


Fig. 1

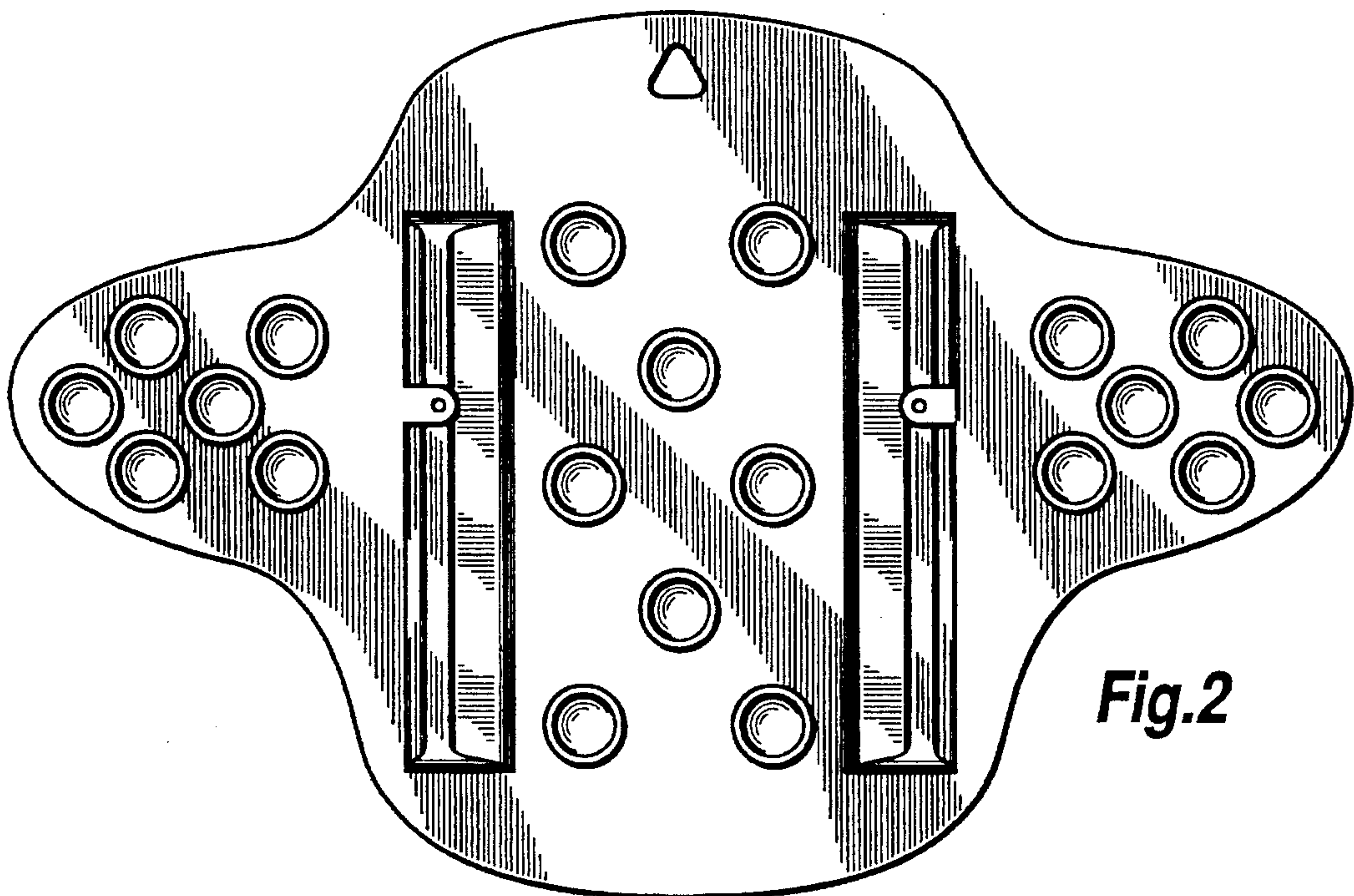


Fig. 2

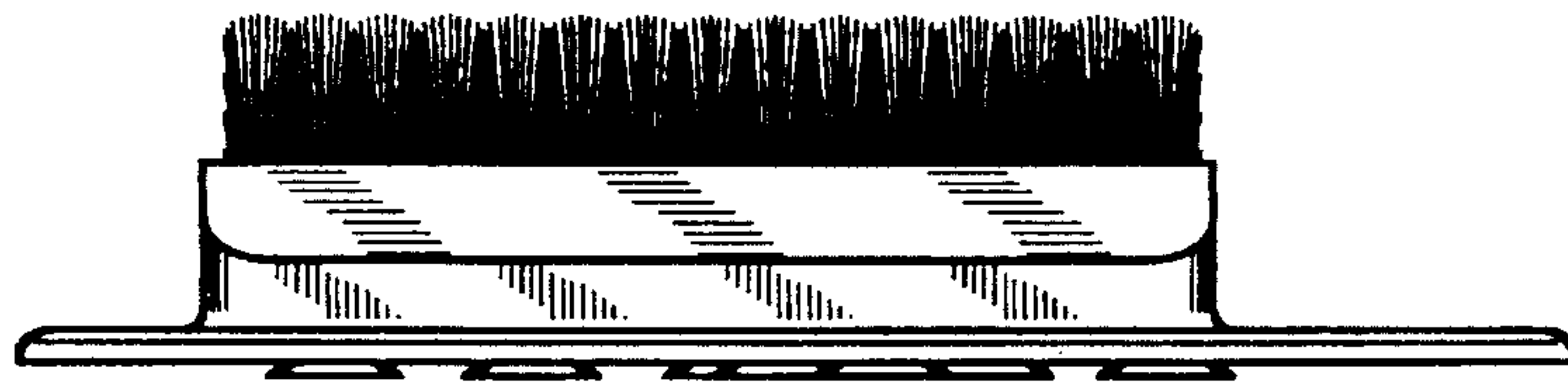


Fig.3



Fig.4

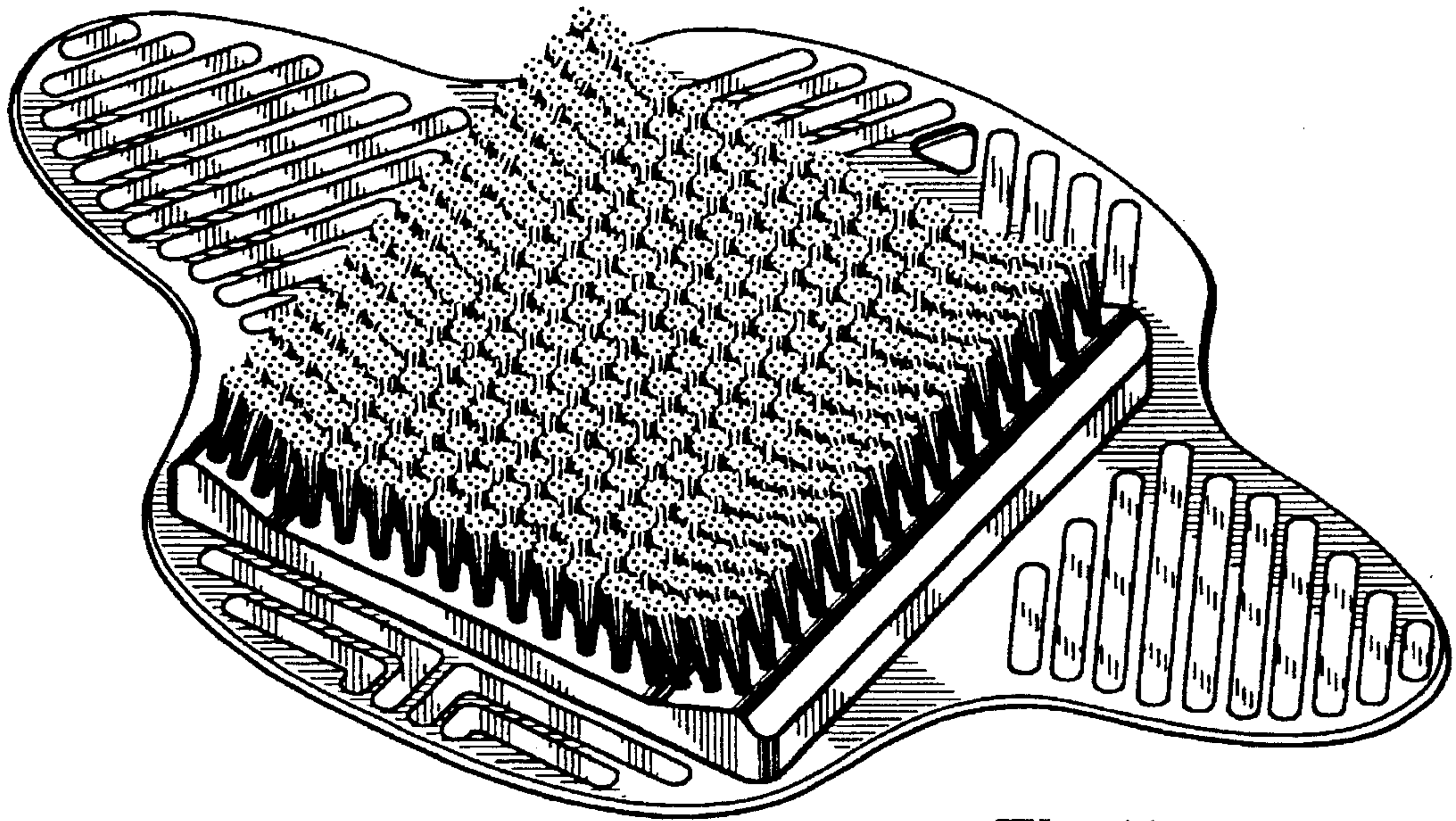


Fig.5

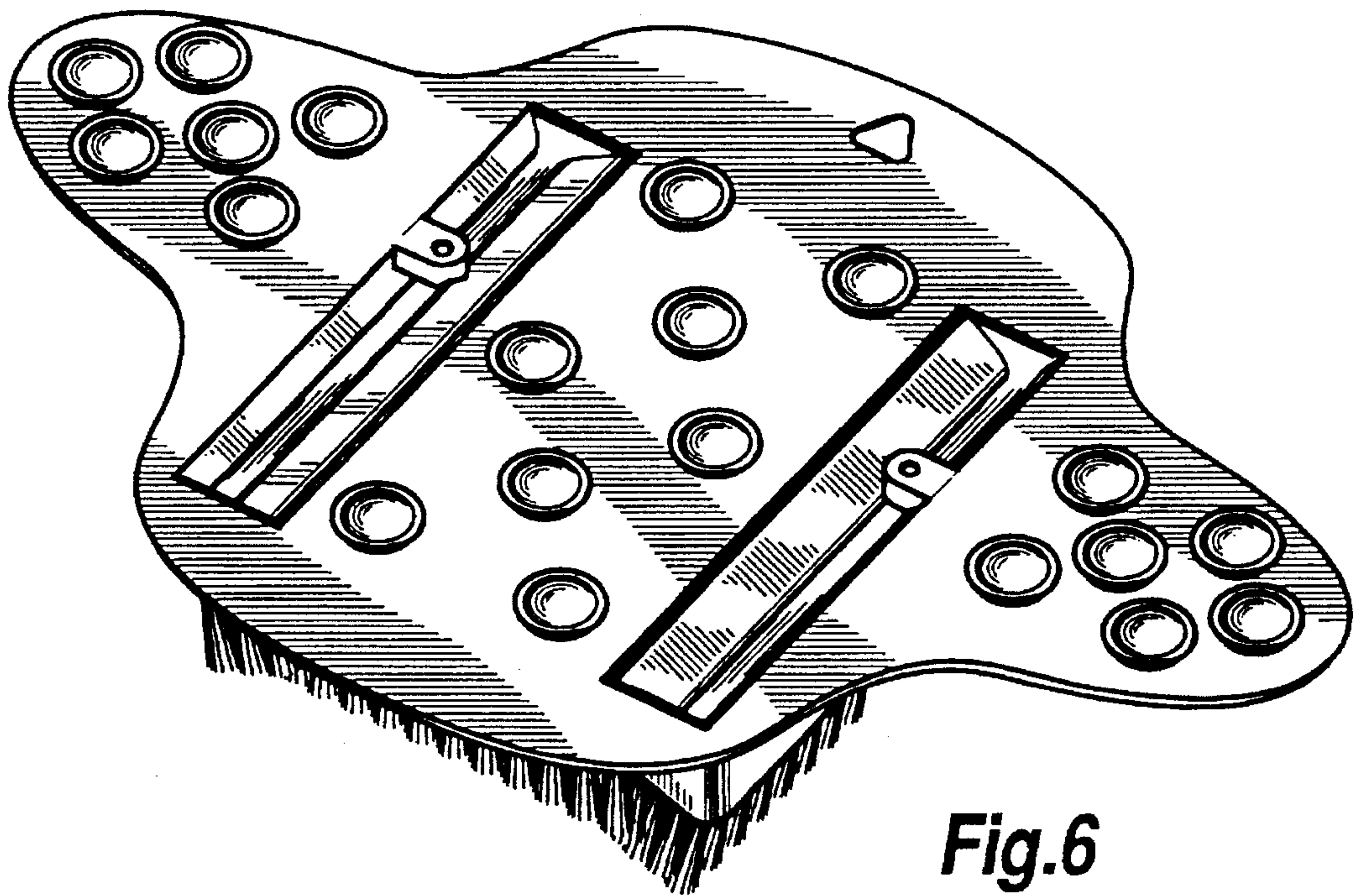


Fig.6