



US00D374497S

United States Patent [19] Shalvi

[11] **Patent Number:** **Des. 374,497**
[45] **Date of Patent:** ****Oct. 8, 1996**

[54] **EXTERIOR LAMP**
[75] Inventor: **Ram Shalvi, Hong Kong, Hong Kong**
[73] Assignee: **Solar Wide Industrial Ltd., Hong Kong, Hong Kong**
[**] Term: **14 Years**
[21] Appl. No.: **36,589**
[22] Filed: **Mar. 23, 1995**

D. 310,268 8/1990 Shalvi D26/67
D. 341,221 11/1993 Elazari D26/68
5,055,984 10/1991 Hung et al. D26/67 X
5,203,627 4/1993 Kira 362/285 X

Primary Examiner—Susan J. Lucas
Attorney, Agent, or Firm—Ostrolenk, Faber, Gerb & Soffen, LLP

[57] CLAIM

The ornamental design for an exterior lamp, as shown and described.

[30] Foreign Application Priority Data

Sep. 30, 1994 [GB] United Kingdom 2042304
[52] **U.S. Cl.** **D26/68**
[58] **Field of Search** D26/67, 68; 362/153.1,
362/183, 269, 275, 285, 418, 419, 421,
427, 431

DESCRIPTION

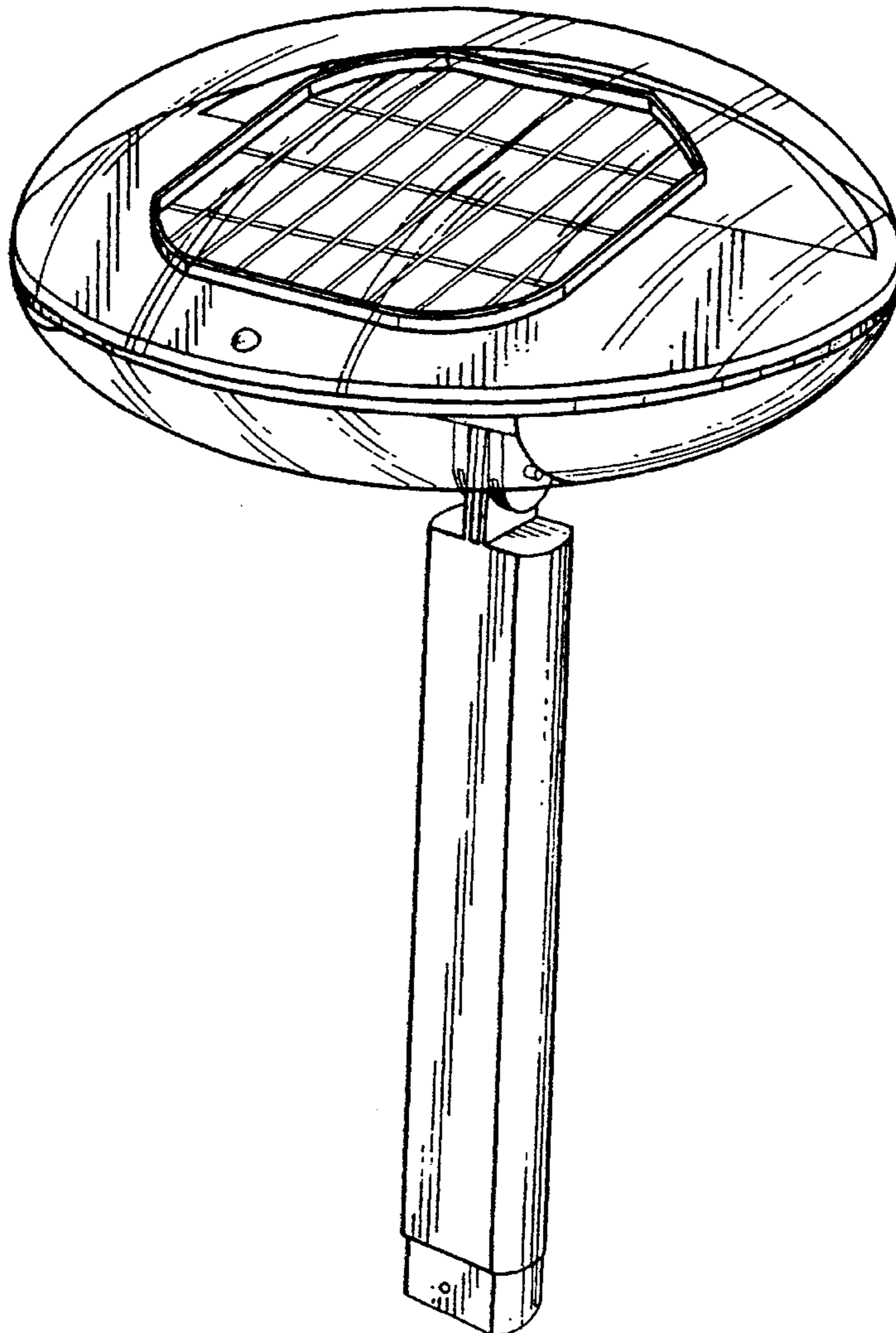
FIG. 1 is a front, top and right side perspective view of an exterior lamp showing my new design;
FIG. 2 is a top plan view thereof;
FIG. 3 is a top plan view thereof;
FIG. 4 is a left side elevational view thereof;
FIG. 5 is a right side elevational view thereof;
FIG. 6 is a bottom plan view thereof; and,
FIG. 7 is a rear elevational view thereof.

[56] References Cited

U.S. PATENT DOCUMENTS

D. 234,801 4/1975 Gore et al. D26/63

1 Claim, 5 Drawing Sheets



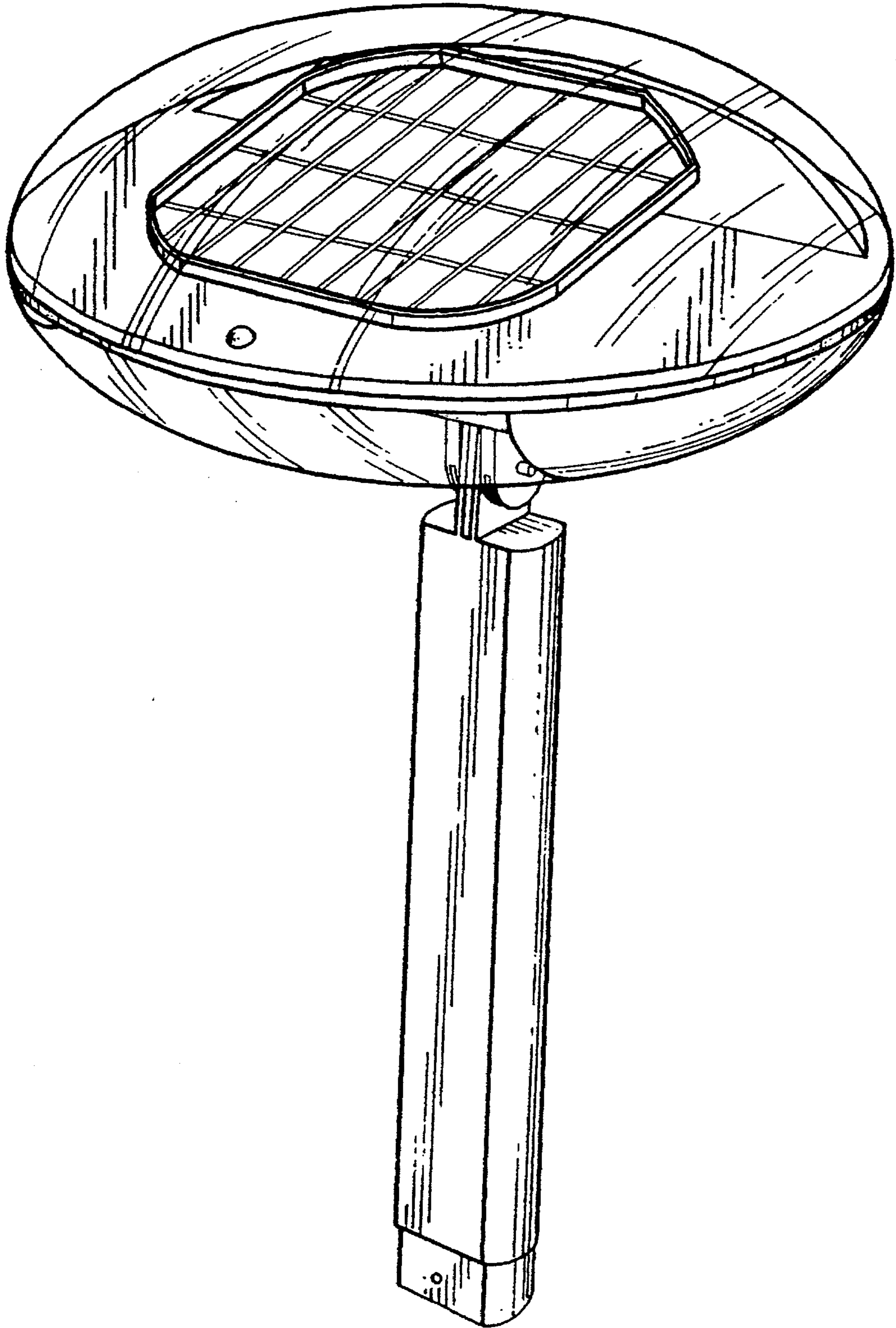


FIG. 1

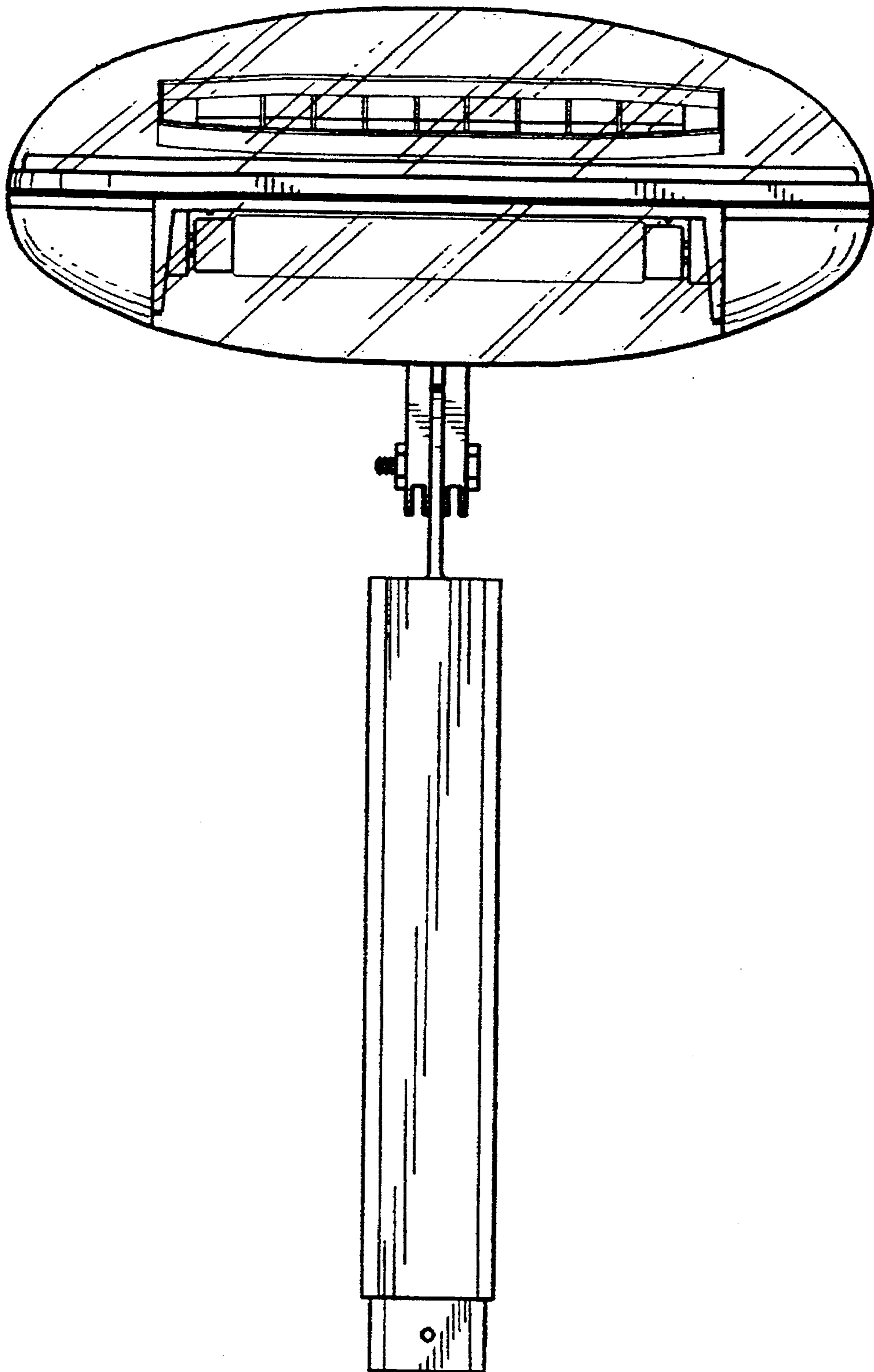


FIG. 2

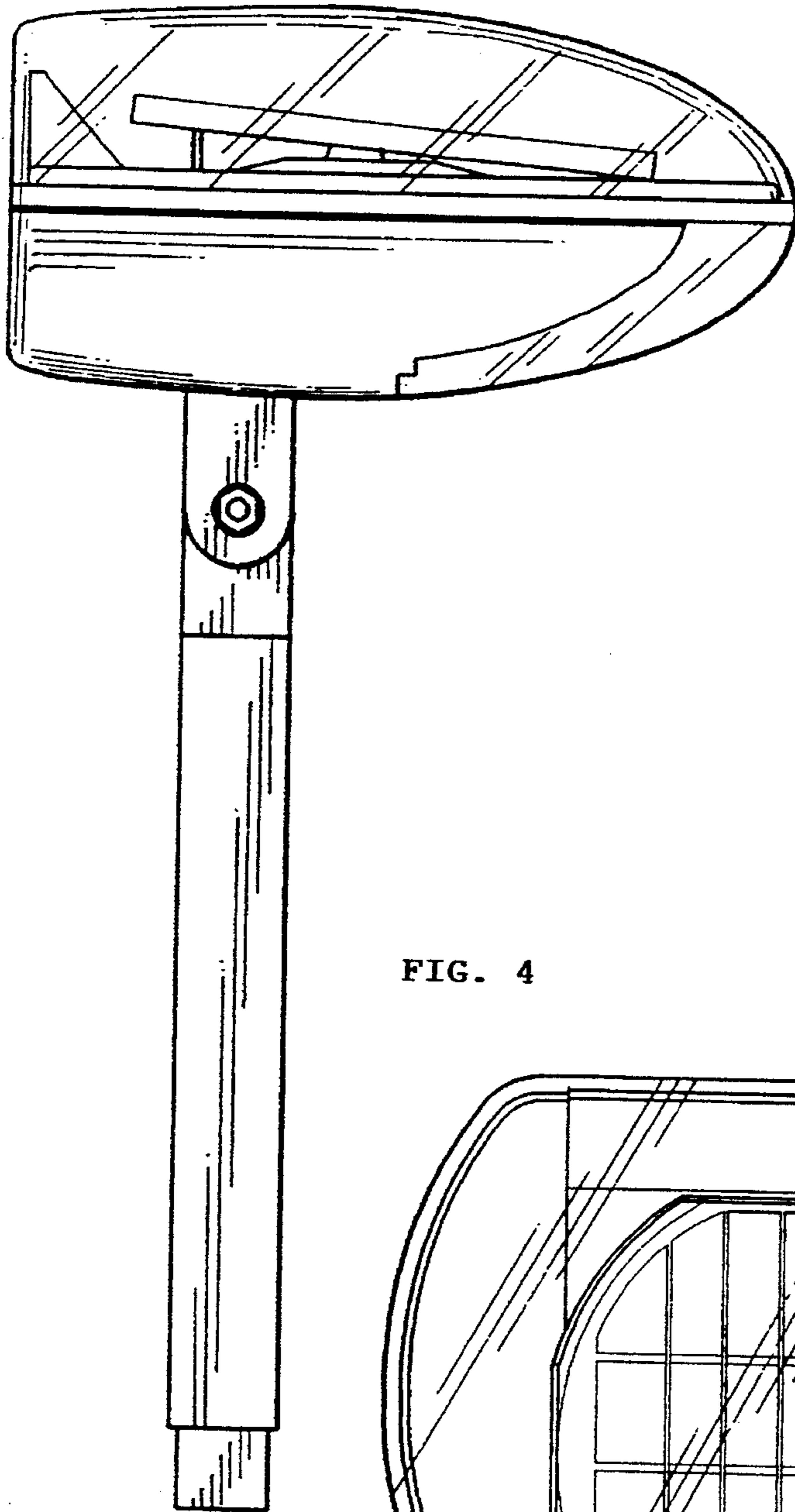


FIG. 4

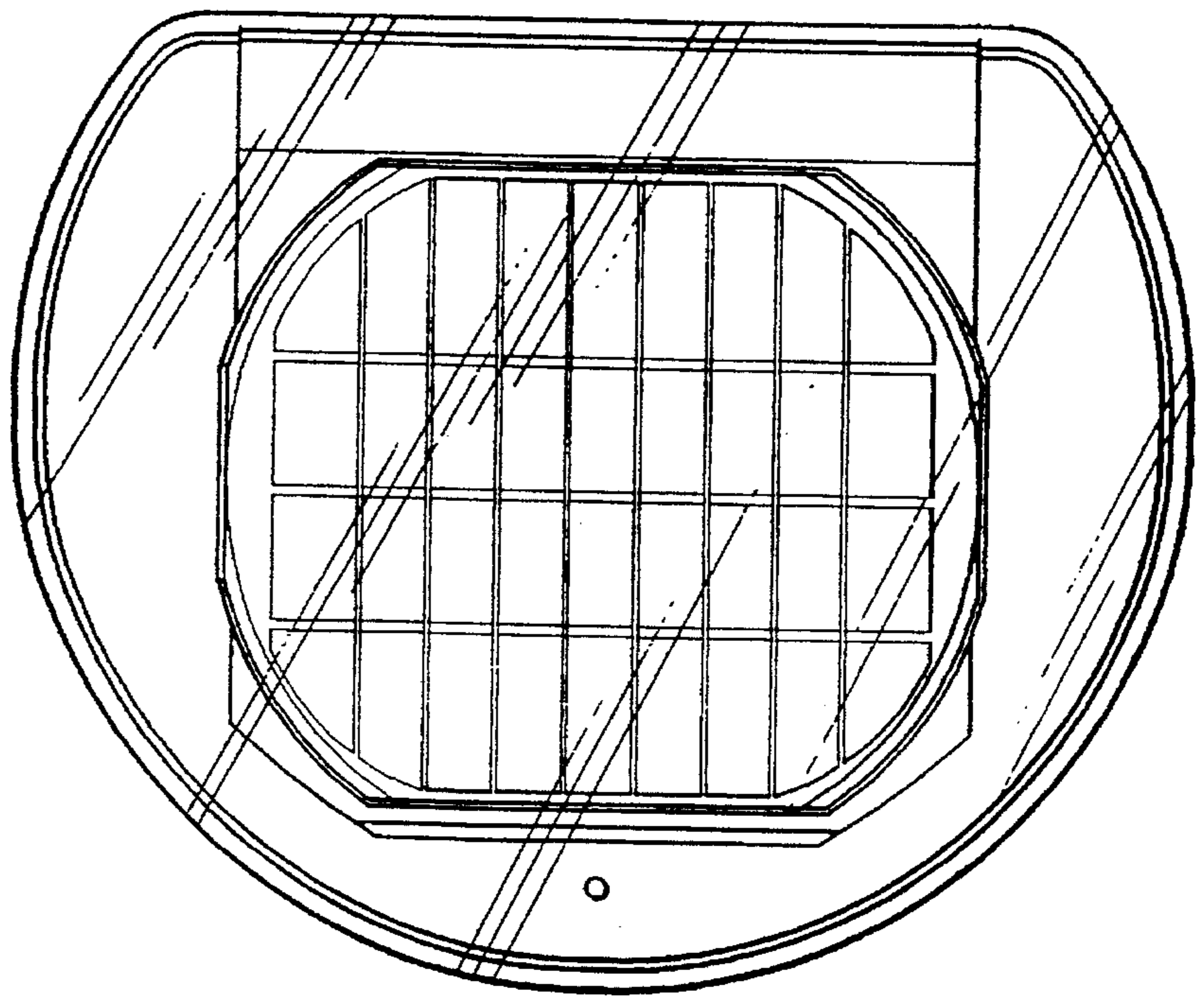


FIG. 3

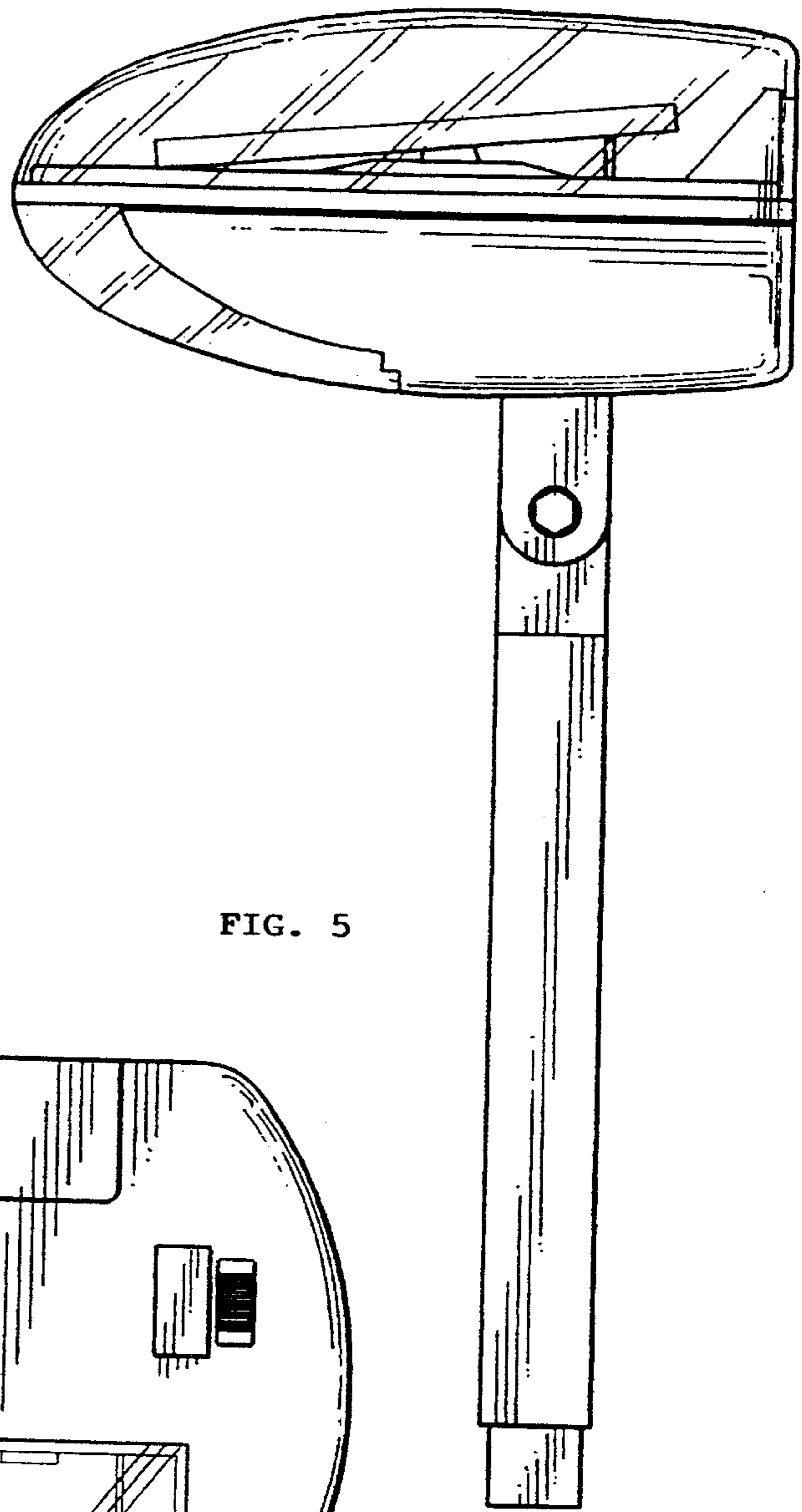


FIG. 5

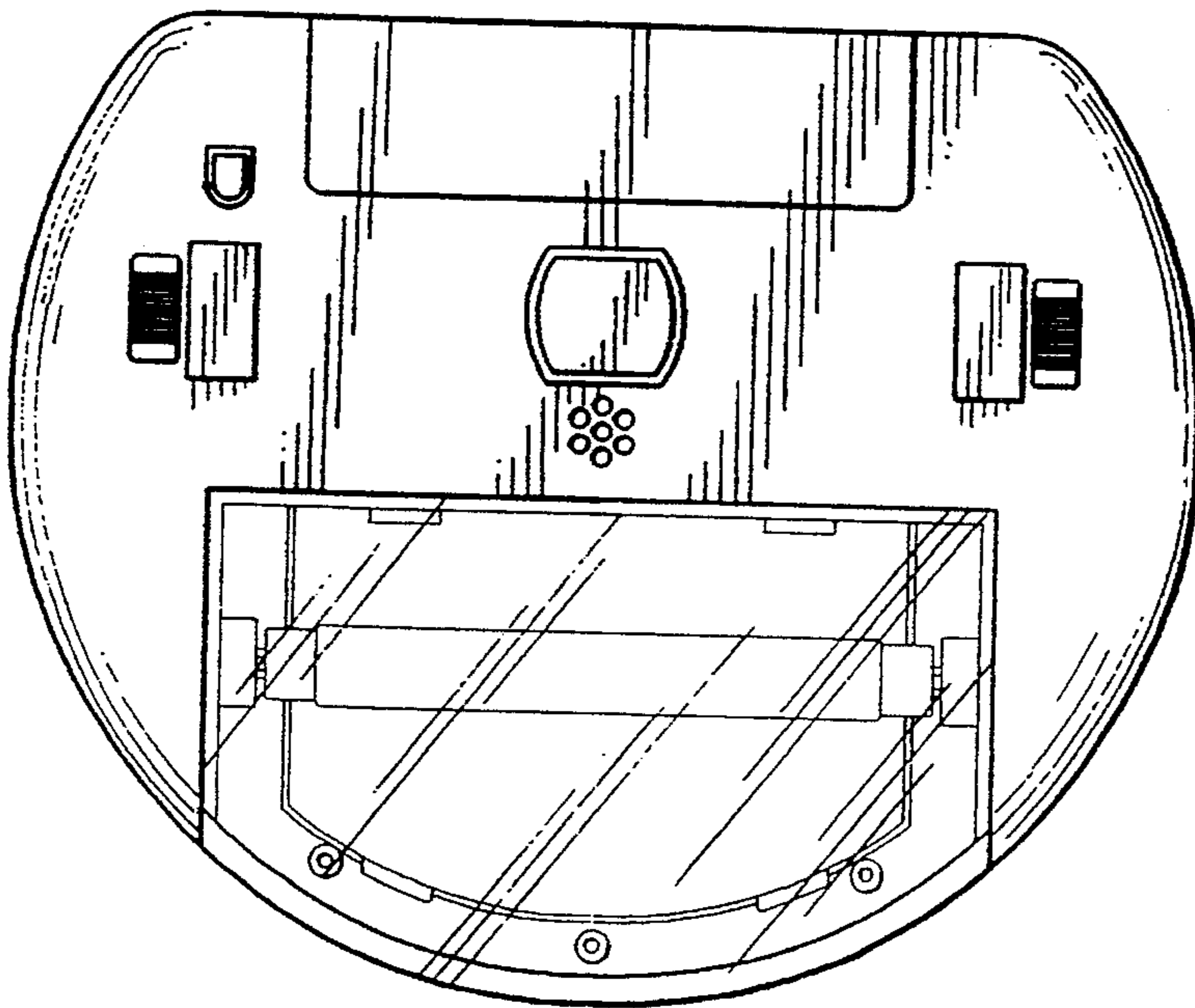


FIG. 6

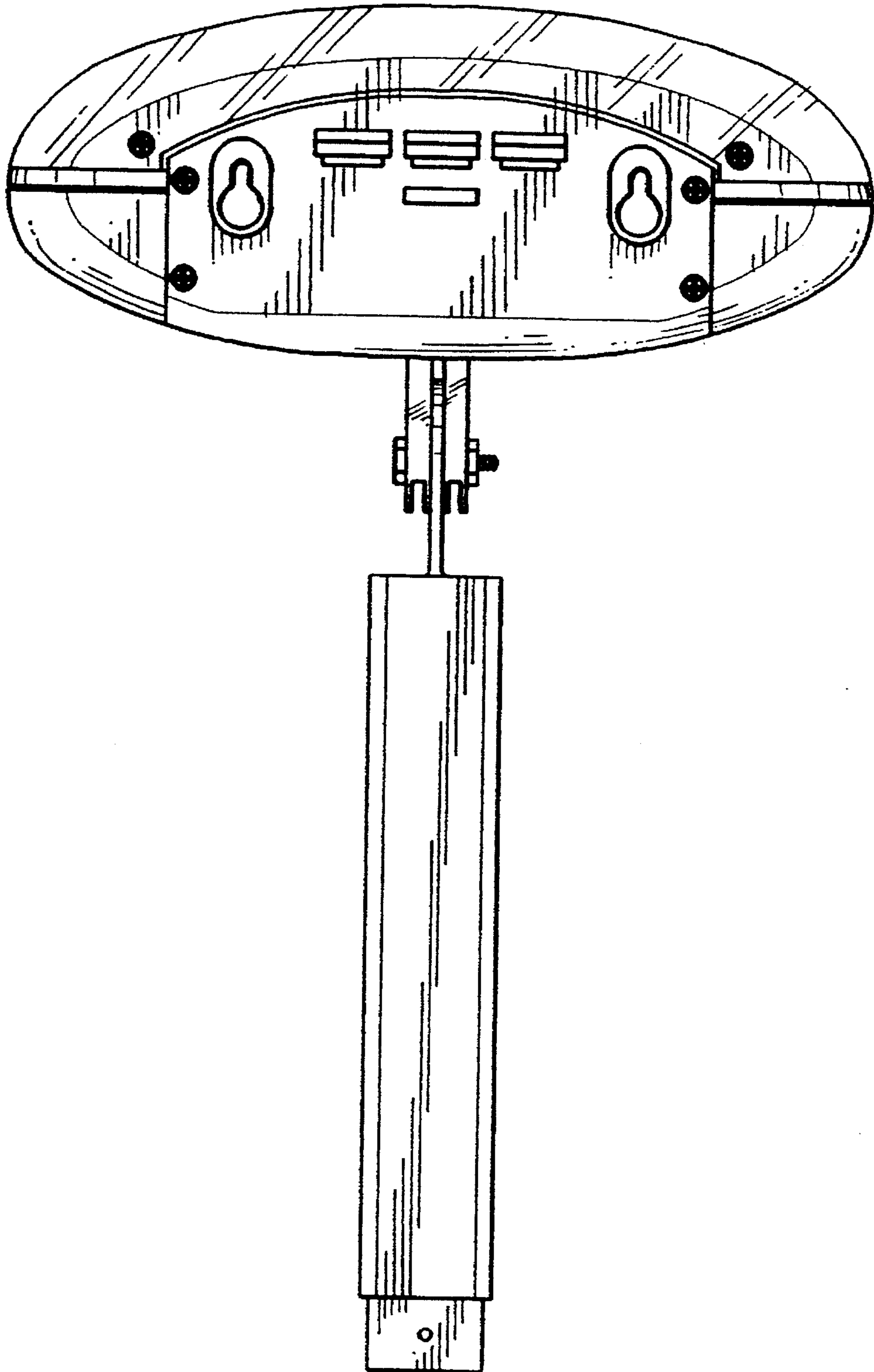


FIG. 7