



US00D374496S

# United States Patent [19]

Small et al.

[11] Patent Number: **Des. 374,496**

[45] Date of Patent: **\*\*Oct. 8, 1996**

[54] **LIGHT FIXTURE**

[75] Inventors: **Edward R. Small**, Elon College;  
**Suleyman O. Sumer**, Chapel Hill;  
**Scott E. Scheibe**, Greensboro, all of  
N.C.

[73] Assignee: **Regent Lighting Corporation**,  
Burlington, N.C.

[\*\*] Term: **14 Years**

[21] Appl. No.: **42,512**

[22] Filed: **Aug. 11, 1995**

[52] U.S. Cl. .... **D26/63**

[58] Field of Search ..... D26/67, 68, 61,  
D26/63, 65, 24; 362/153, 153.1, 269, 275,  
371, 250, 418, 419, 427, 421

[56] **References Cited**

**U.S. PATENT DOCUMENTS**

D. 360,960 8/1995 Wedell ..... D26/63  
5,258,899 11/1993 Chen ..... 362/419 X  
5,450,303 9/1995 Markiewicz et al. .... 362/419

**OTHER PUBLICATIONS**

Home Lighting & Accessories, Mar. 1994, p. 64, Atlantic  
Coast Lighting, Double Flood Light.

Primary Examiner—Susan J. Lucas

Attorney, Agent, or Firm—Olive & Olive, P.A.

[57] **CLAIM**

The ornamental design for a light fixture, as shown and  
described.

**DESCRIPTION**

FIG. 1 is a front perspective view of the light fixture of the  
invention, as the fixture appears when mounted on a vertical  
surface, showing both lamps aimed horizontally for illustrative  
purposes;

FIG. 2 is a left side elevational view of the light fixture of  
the invention showing one lamp aimed downward;

FIG. 3 is a right side elevational view thereof;

FIG. 4 is a top plan view thereof;

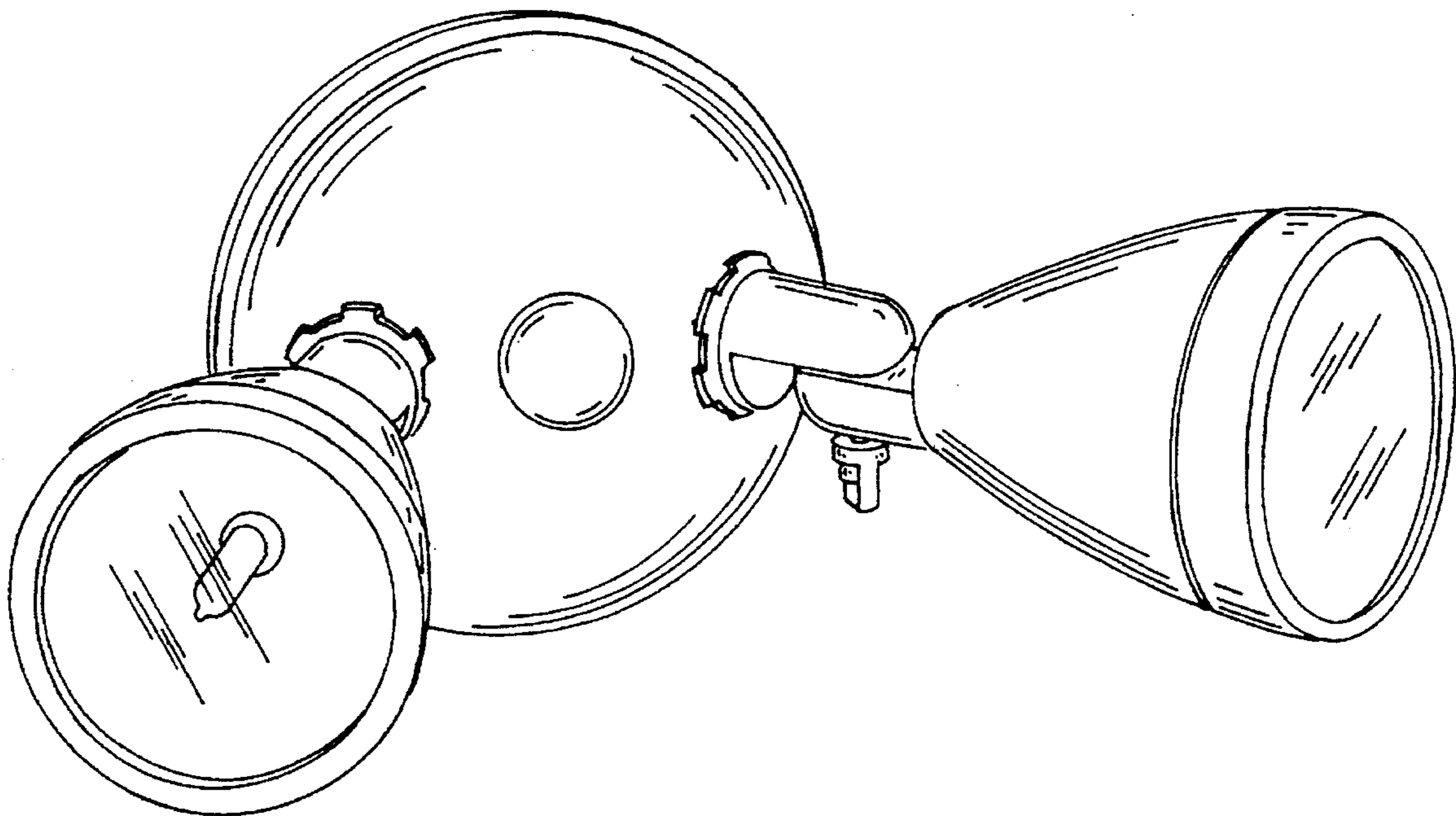
FIG. 5 is a front elevational view thereof;

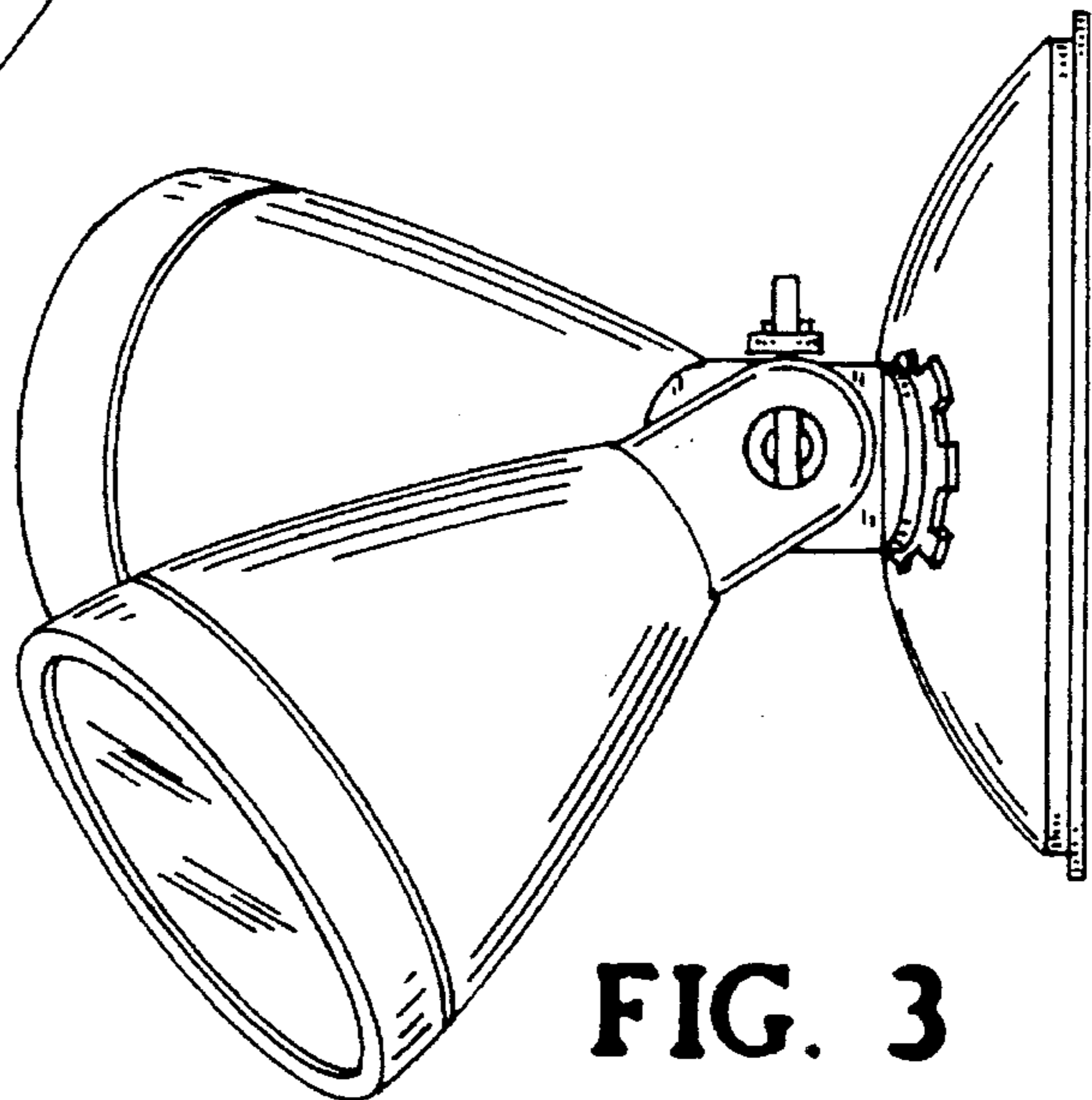
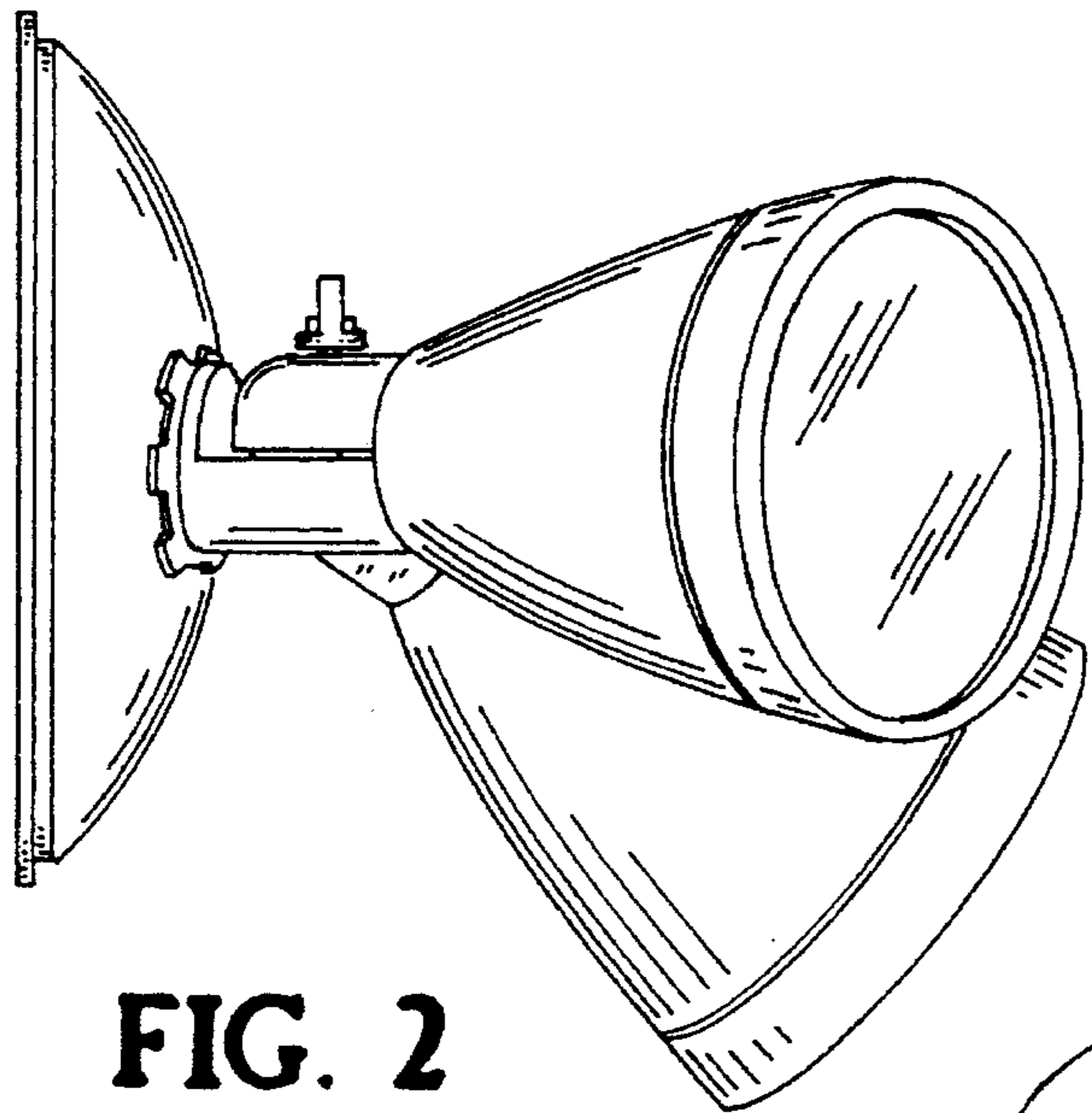
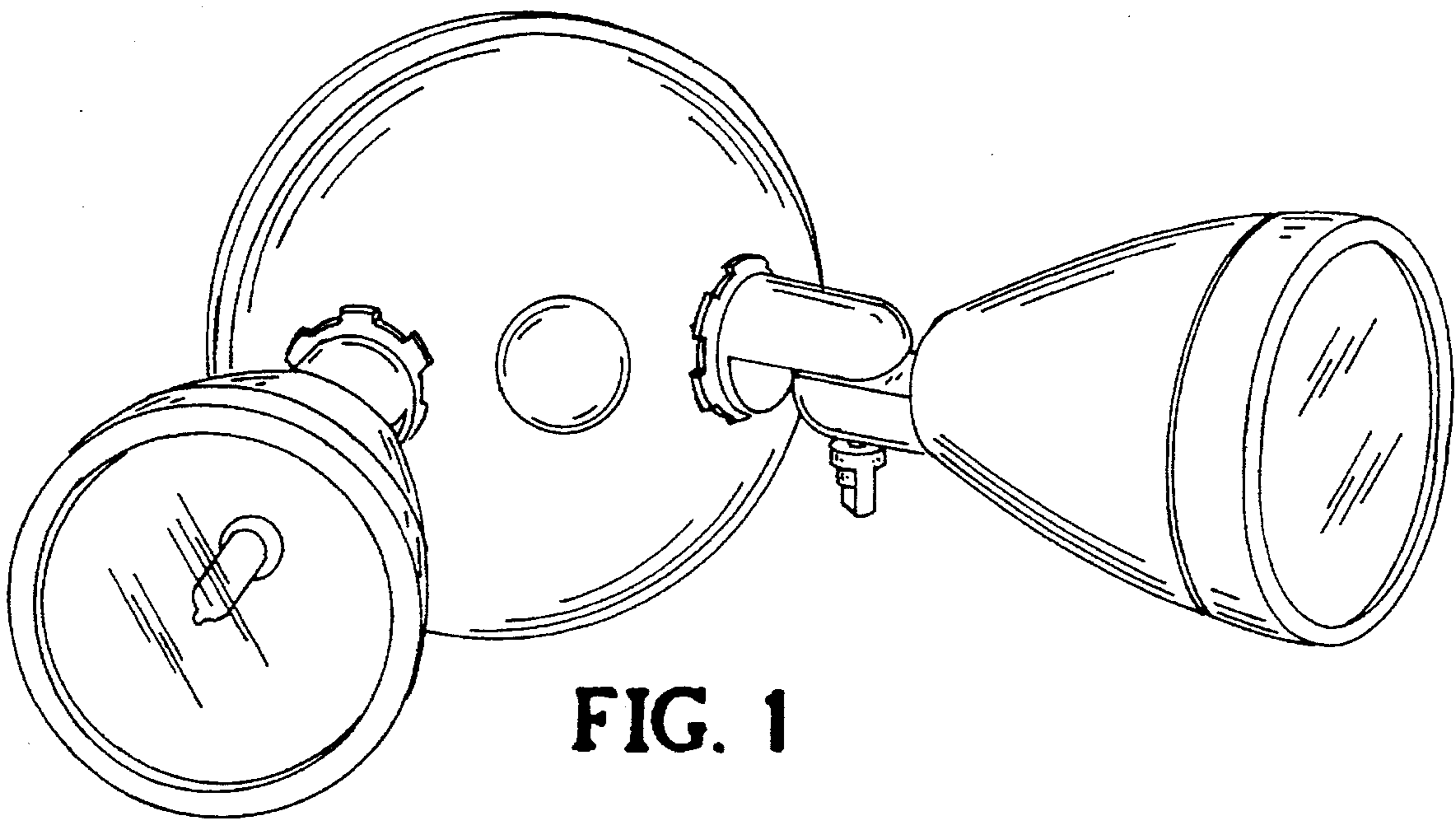
FIG. 6 is a bottom plan view thereof;

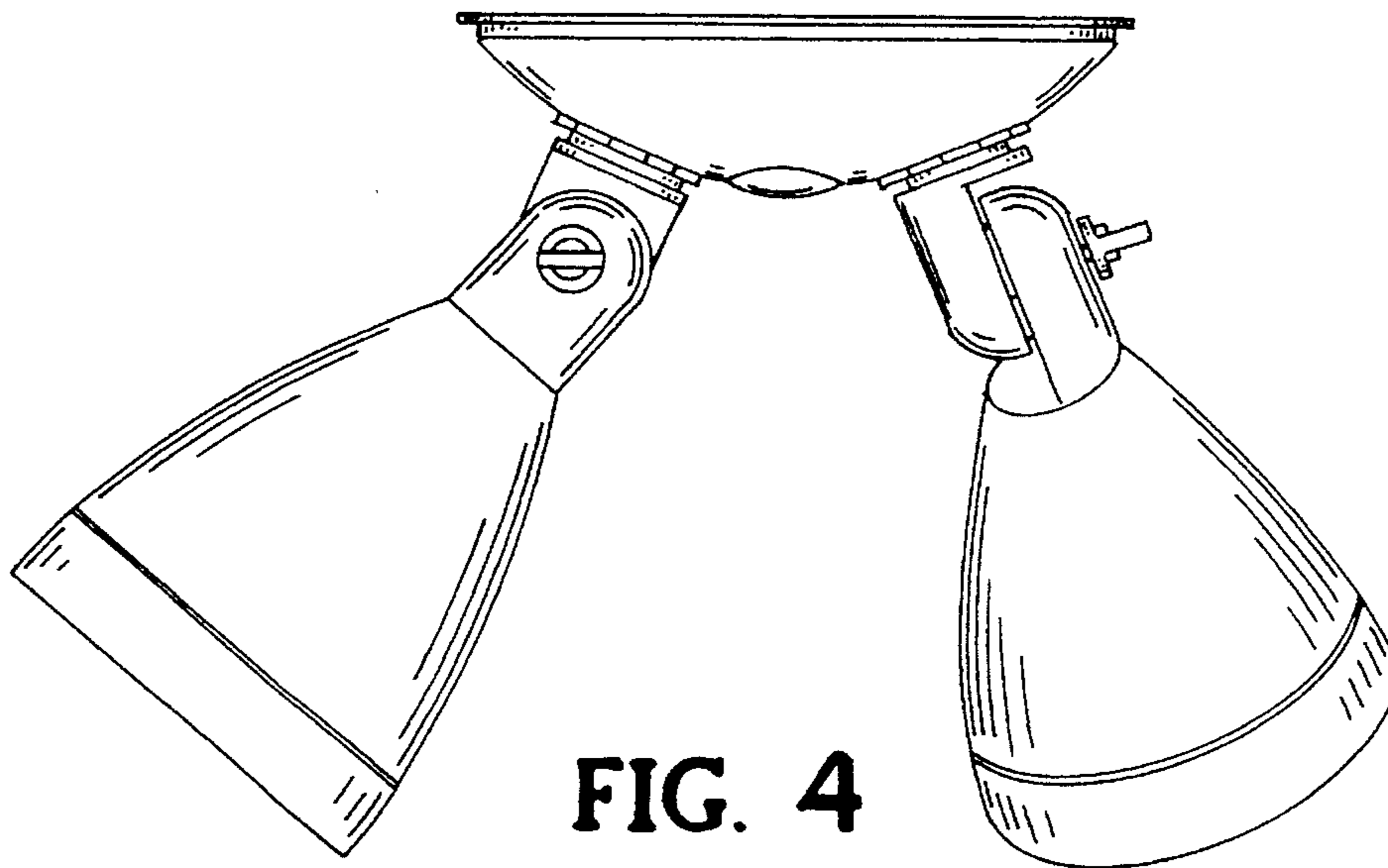
FIG. 7 is a back elevational view thereof; and,

FIG. 8 is a front elevational view of the light fixture of the  
invention showing both lamps aimed downward.

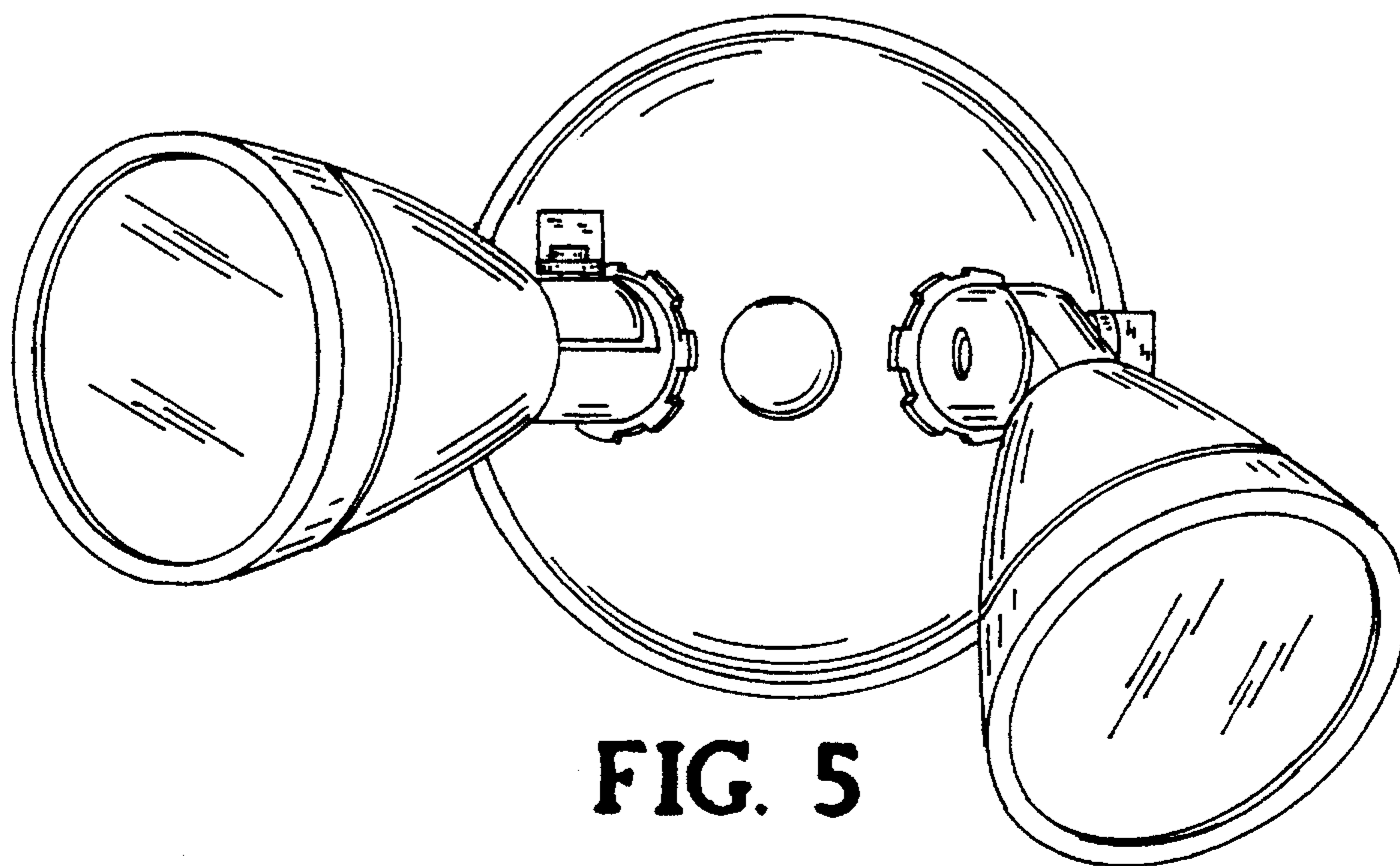
**1 Claim, 3 Drawing Sheets**



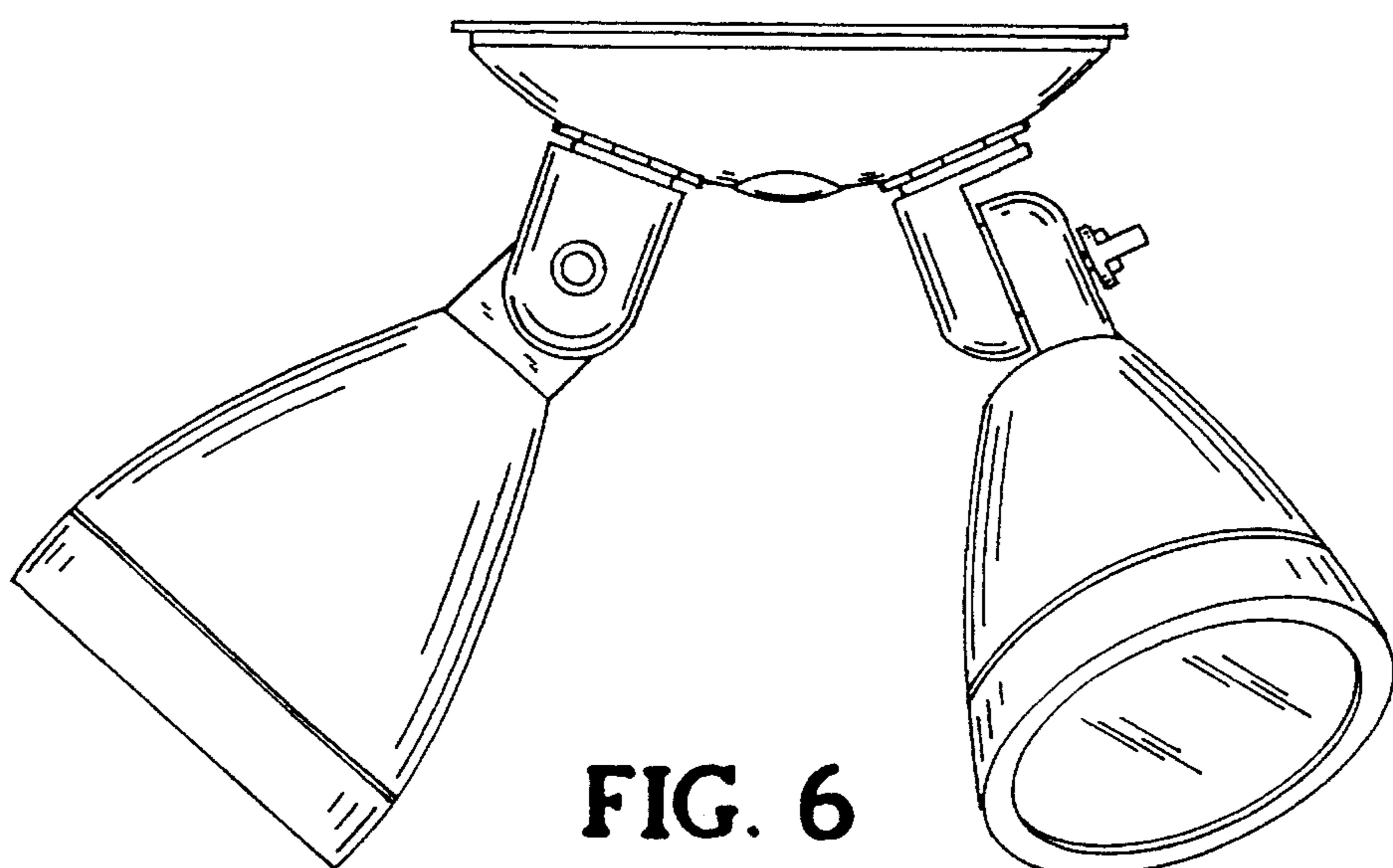




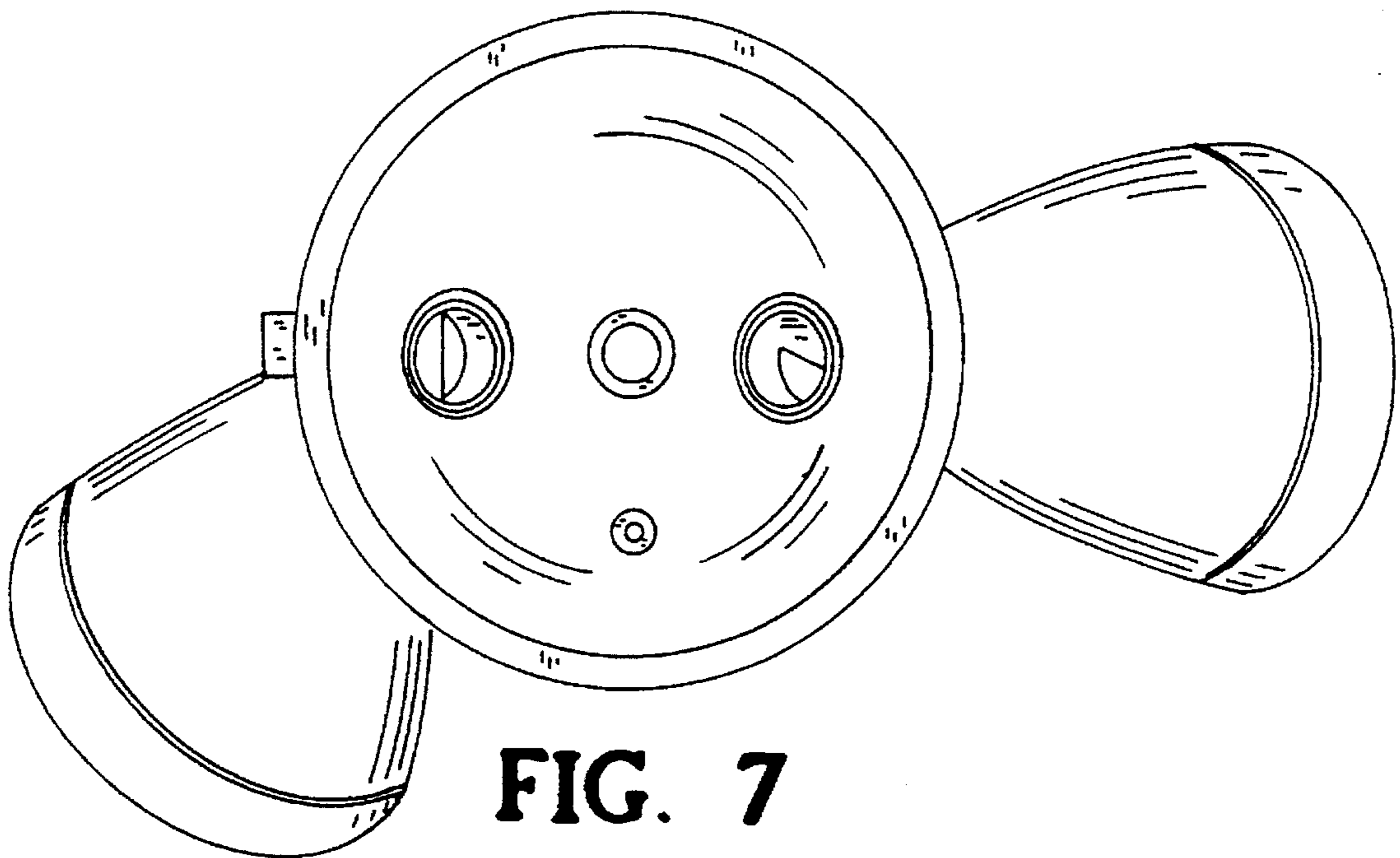
**FIG. 4**



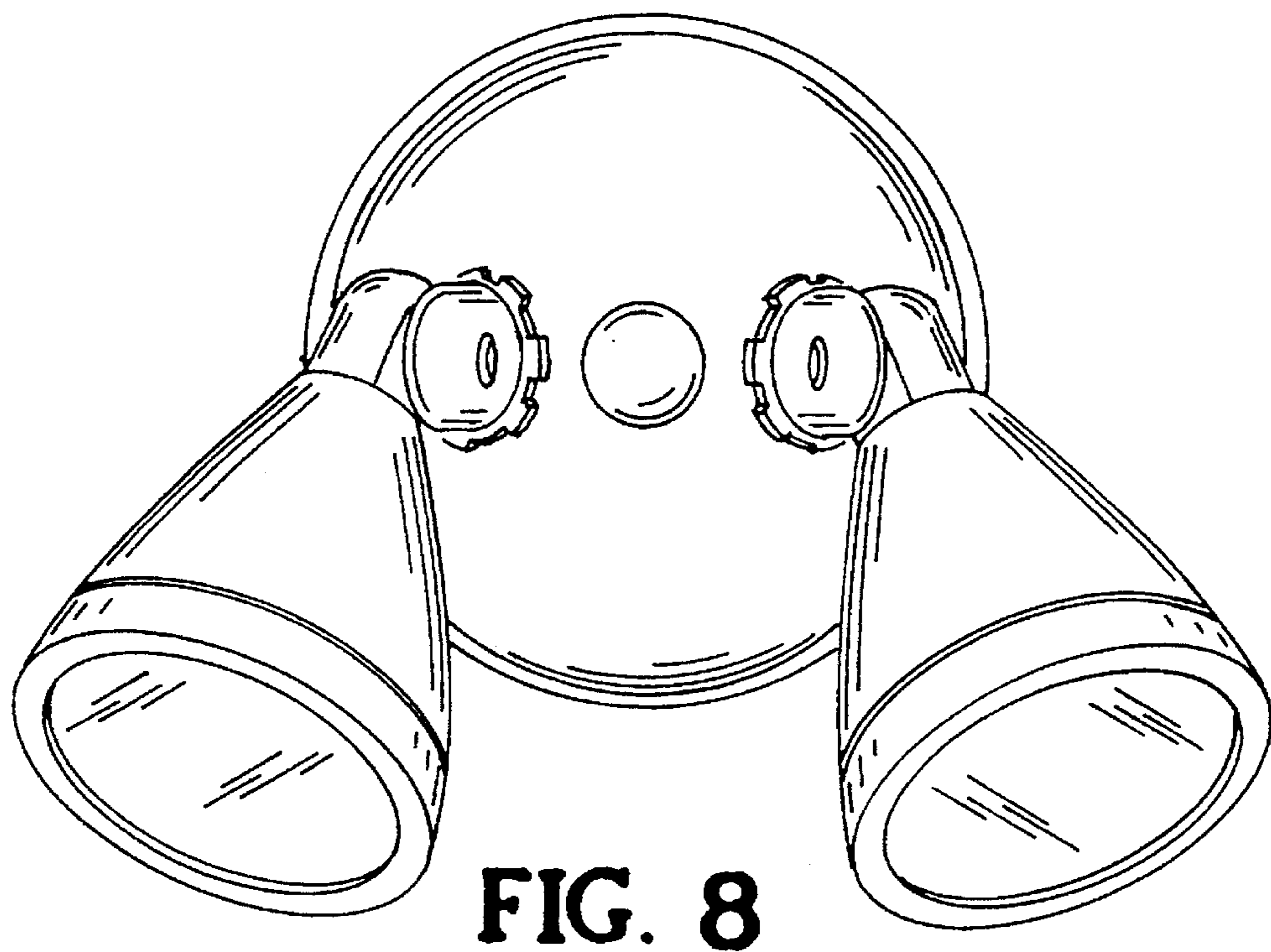
**FIG. 5**



**FIG. 6**



**FIG. 7**



**FIG. 8**