



US00D374495S

United States Patent [19] Garrity

[11] Patent Number: **Des. 374,495**
[45] Date of Patent: ****Oct. 8, 1996**

[54] FLASHLIGHT

OTHER PUBLICATIONS

[75] Inventor: **Kevin S. Garrity**, Madison, Conn.

Hardware Age, Mar. 1988; Garrity Tuff Lites p. 85.

[73] Assignee: **Garrity Industries, Inc.**, Madison, Conn.

Primary Examiner—A. Hugo Word

Assistant Examiner—Lavone D. Tabor

Attorney, Agent, or Firm—Fitzpatrick, Cella, Harper & Scinto

[**] Term: **14 Years**

[57] CLAIM

[21] Appl. No.: **44,210**

The ornamental design for a flashlight, as shown and described.

[22] Filed: **Sep. 20, 1995**

[52] U.S. Cl. **D26/49; D26/41**

[58] Field of Search D26/37, 41, 46,
D26/49, 50; 362/157, 158, 202, 204, 205,
207, 208

DESCRIPTION

FIG. 1 is a side elevational view of the left side of my new design;

FIG. 2 is a side elevational view of the right side of my new design;

FIG. 3 is a front elevational view of this design;

FIG. 4 is a rear elevational view of this design;

FIG. 5 is a top plan view thereof; and,

FIG. 6 is a bottom plan view of my new design.

[56] References Cited

U.S. PATENT DOCUMENTS

D. 263,258	3/1982	Zeller	D26/49
D. 297,770	9/1988	Garrity, Sr.	D26/49
D. 336,966	6/1993	Yau	D26/49
D. 349,354	8/1994	Yau	D26/49

1 Claim, 5 Drawing Sheets

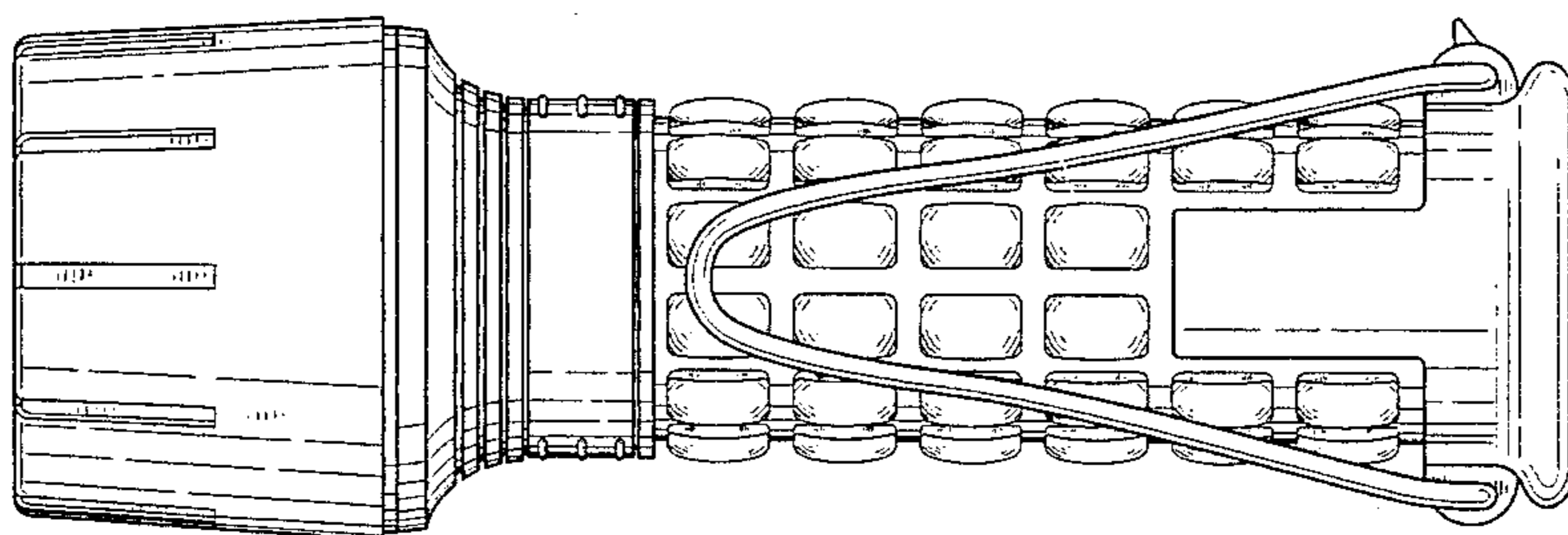
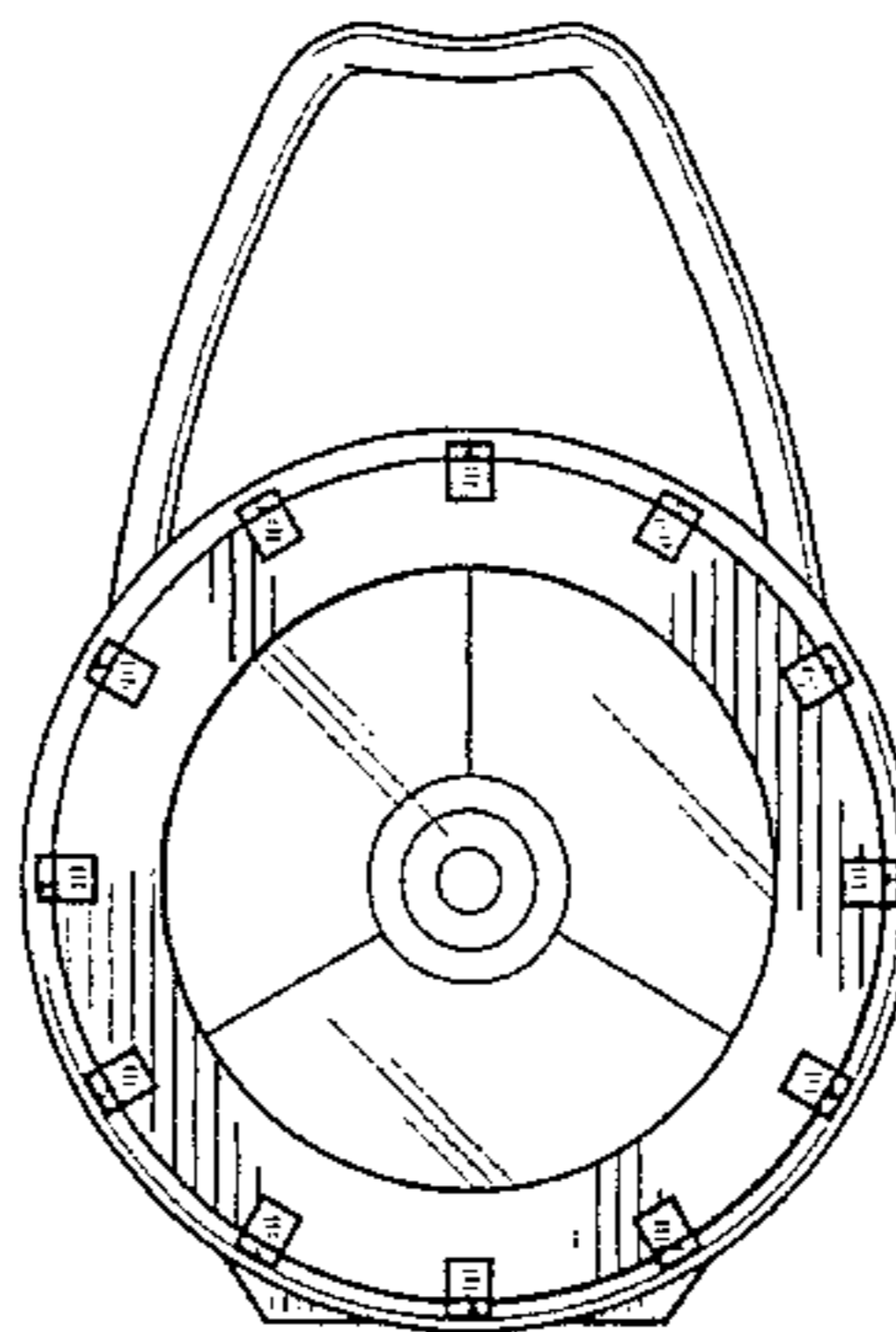
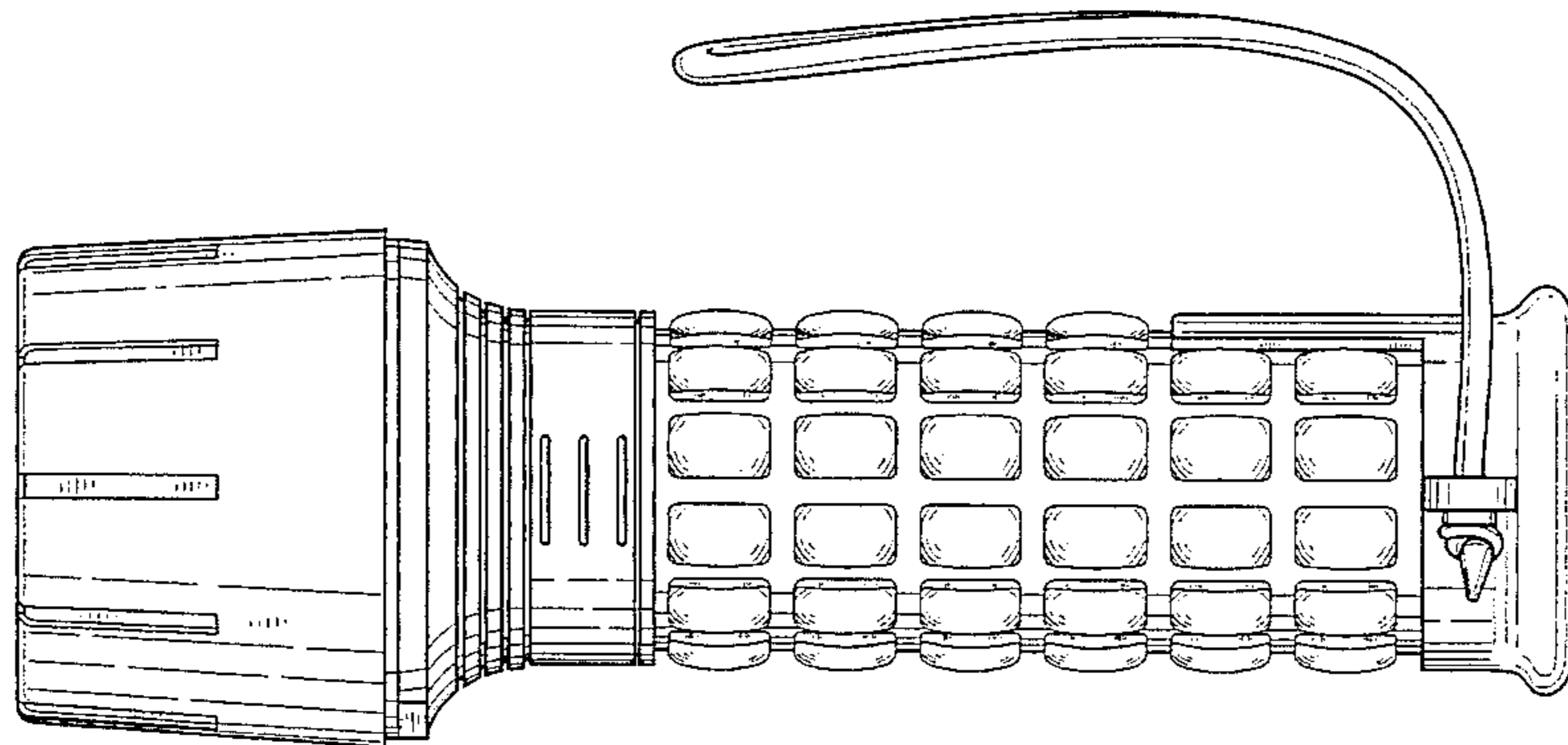


FIG. 1

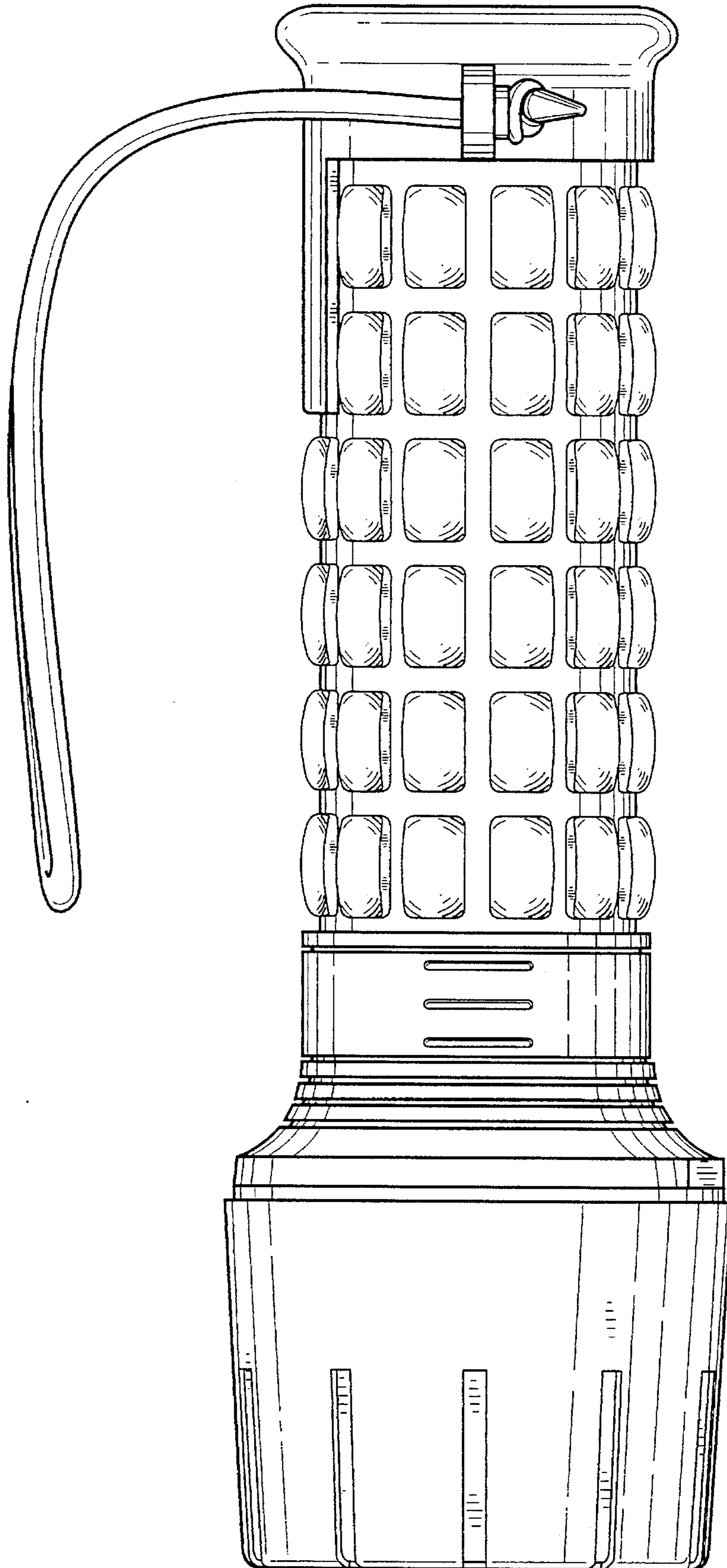


FIG. 2

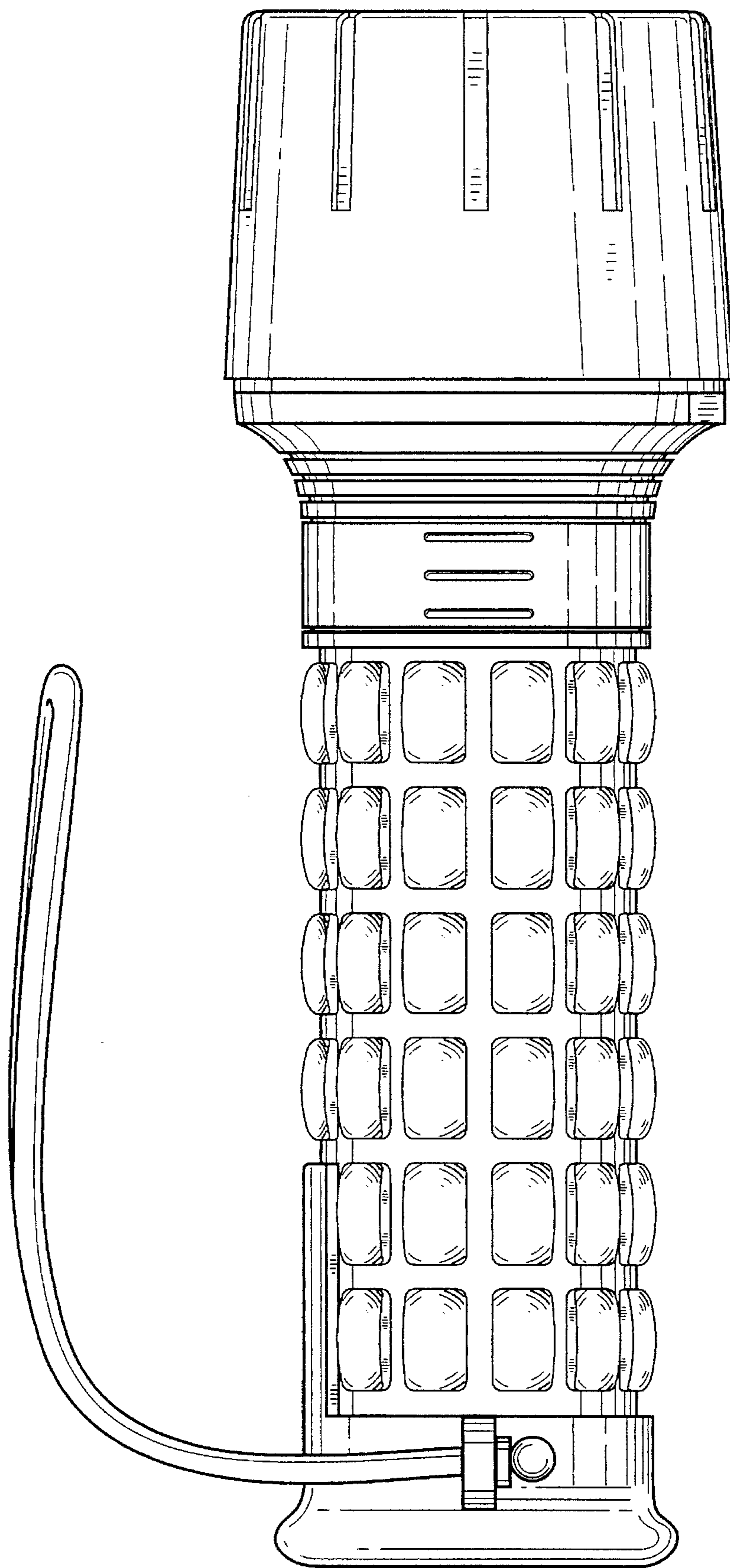


FIG. 3

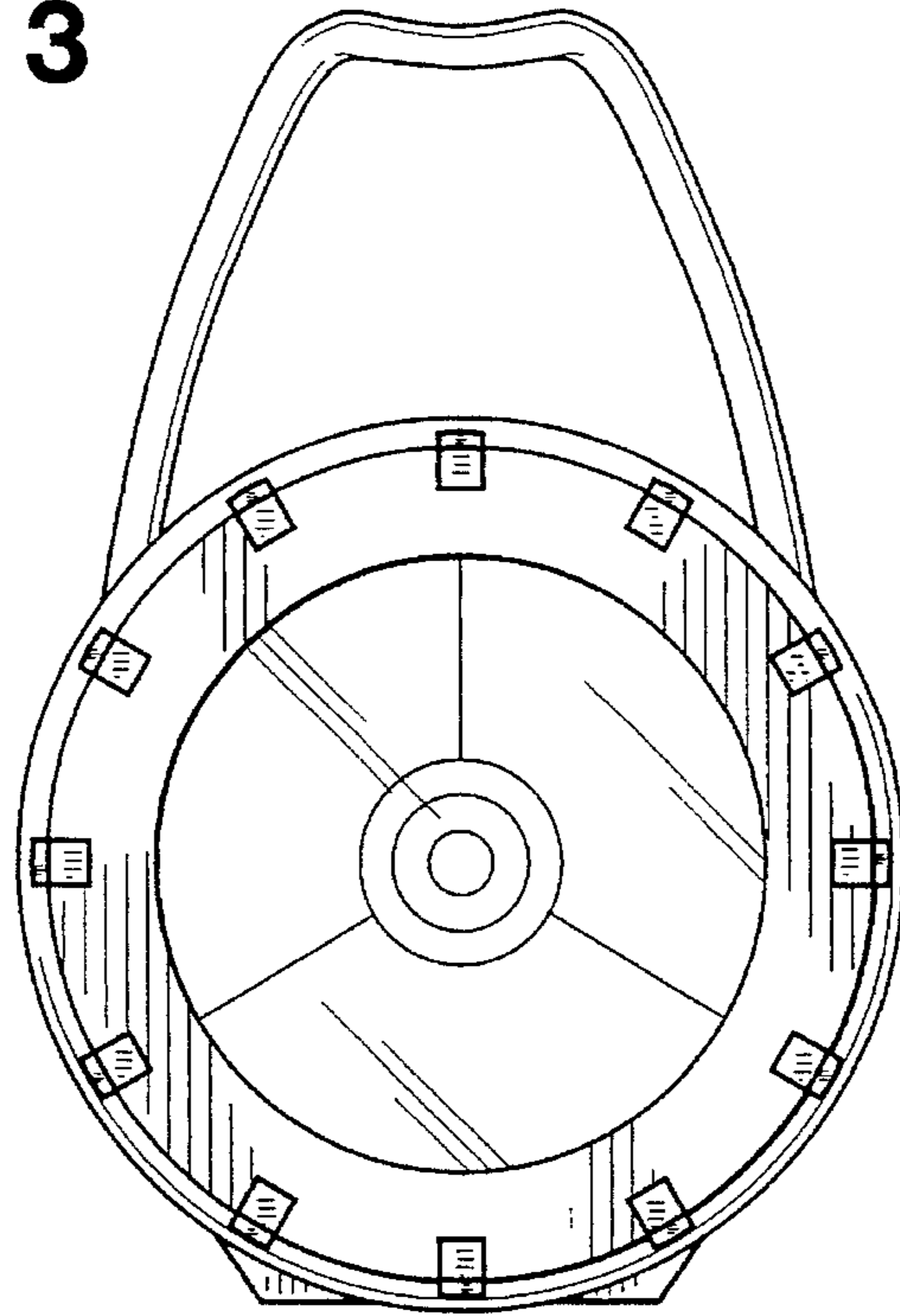


FIG. 4

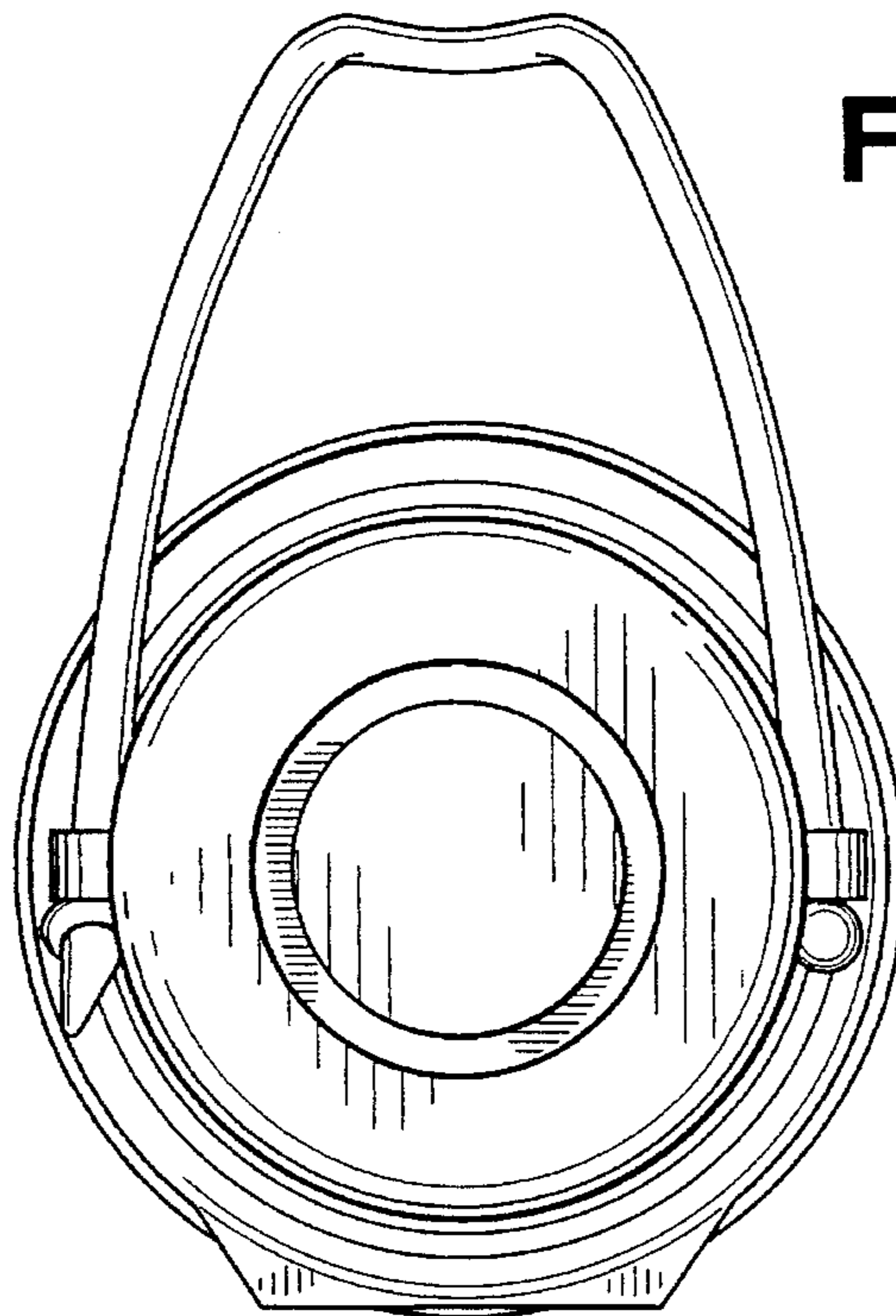


FIG. 5

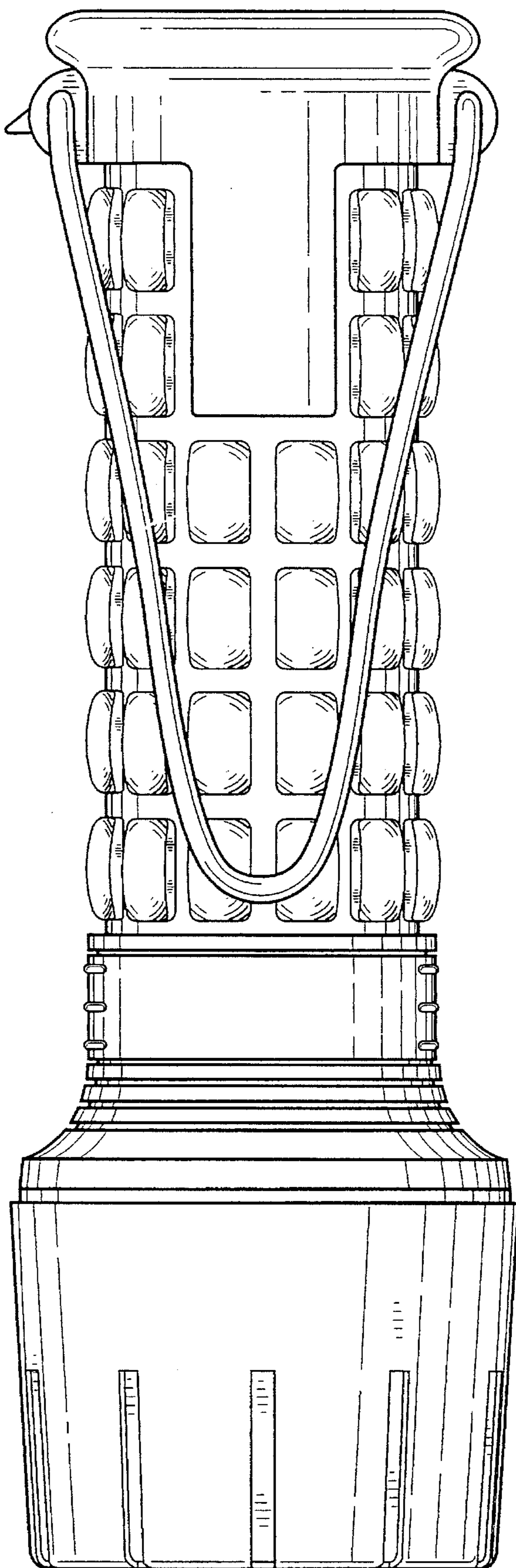


FIG. 6

