



US00D374493S

United States Patent [19] Szymanski

[11] Patent Number: **Des. 374,493**
[45] Date of Patent: ****Oct. 8, 1996**

[54] HEAD FOR A FLEXIBLE FLASHLIGHT

[75] Inventor: **Aaron Szymanski**, Bristol, Conn.
[73] Assignee: **Black & Decker Inc.**, Newark, Del.
[**] Term: **14 Years**

[21] Appl. No.: **37,595**
[22] Filed: **Apr. 17, 1995**
[52] U.S. Cl. **D26/43**
[58] Field of Search D26/37, 43, 44,
D26/49, 60, 62; 362/157, 158, 184, 188,
189, 191, 198, 199, 200, 202, 362, 396,
205-208, 255

[56] References Cited

U.S. PATENT DOCUMENTS

D. 147,258	8/1947	Becker	D26/43
D. 166,073	3/1952	Dunkelberger	D26/43
D. 228,519	10/1973	Moore	D26/49
D. 314,246	1/1991	Bache	D26/62
1,398,736	11/1921	Paine	362/205
1,516,364	11/1924	Weeks	362/255
3,124,306	3/1964	Schotz	362/157

FOREIGN PATENT DOCUMENTS

685931 8/1986 Japan D26/43

Primary Examiner—A. Hugo Word
Assistant Examiner—Lavone Tabor
Attorney, Agent, or Firm—Barry E. Deutsch

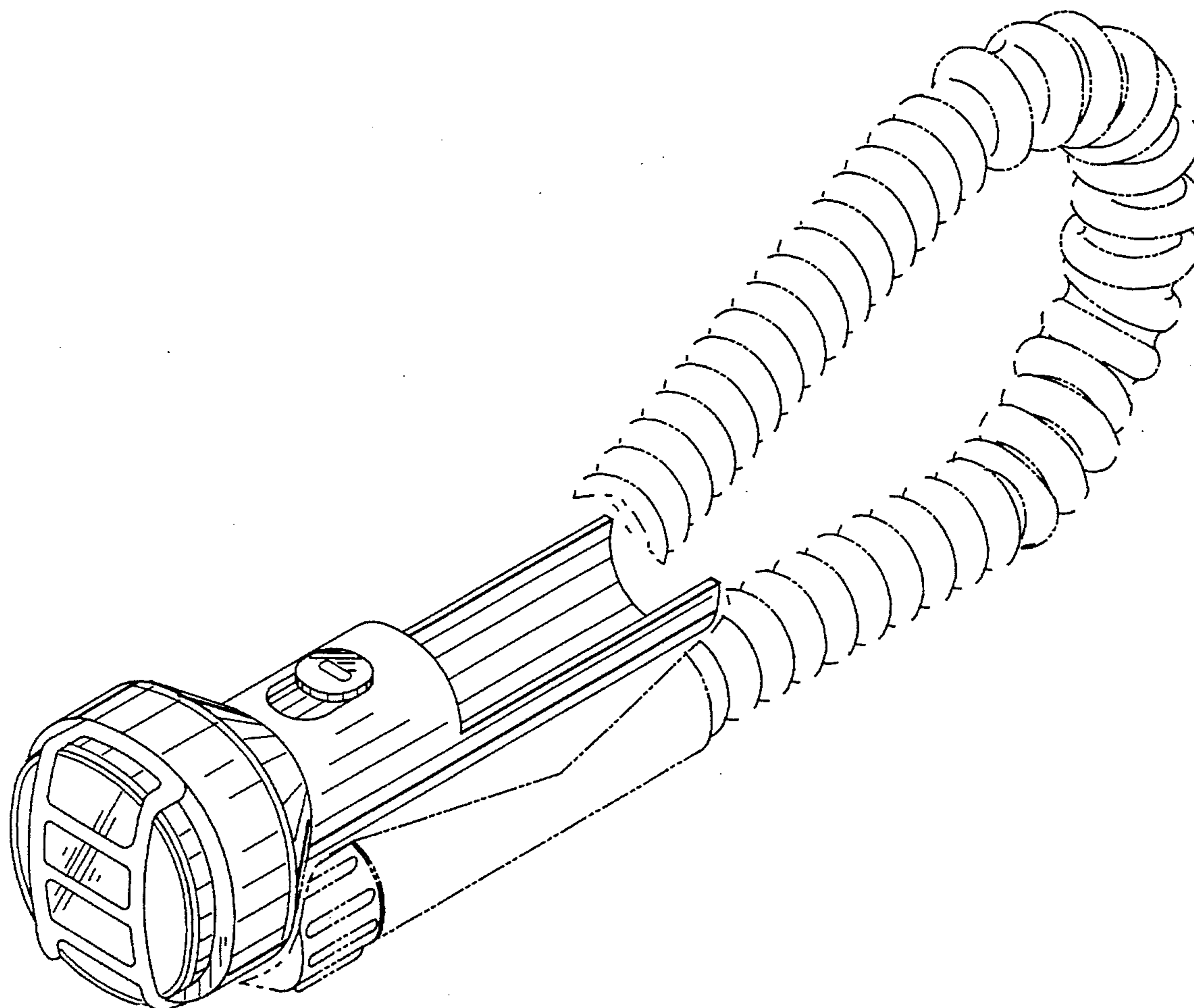
[57] CLAIM

The ornamental design for a head for a flexible flashlight, as shown and described.

DESCRIPTION

FIG. 1 is a perspective view taken from the front, top and right side of a head for a flexible flashlight illustrating my new design, the portion shown in phantom is illustrative of a flexible core to which my new design may be attached; FIG. 2 is a right side elevational view thereof; FIG. 3 is a left side elevational view thereof; FIG. 4 is a front elevational view thereof; FIG. 5 is a rear elevational view thereof; FIG. 6 is a top plan view thereof; and, FIG. 7 is a bottom plan view thereof. The broken lines are for illustrative purposes only and form no part of the claimed design.

1 Claim, 3 Drawing Sheets



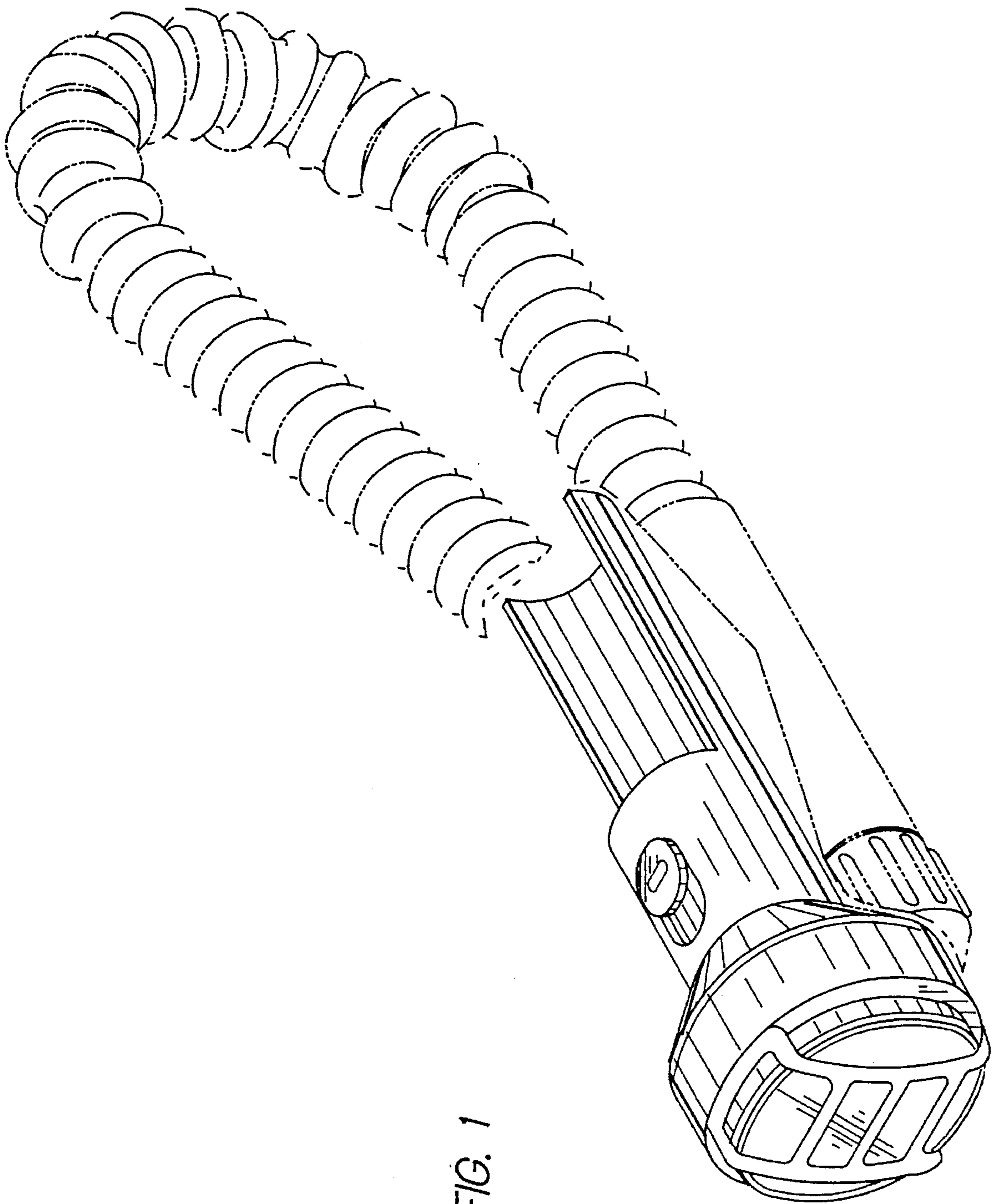
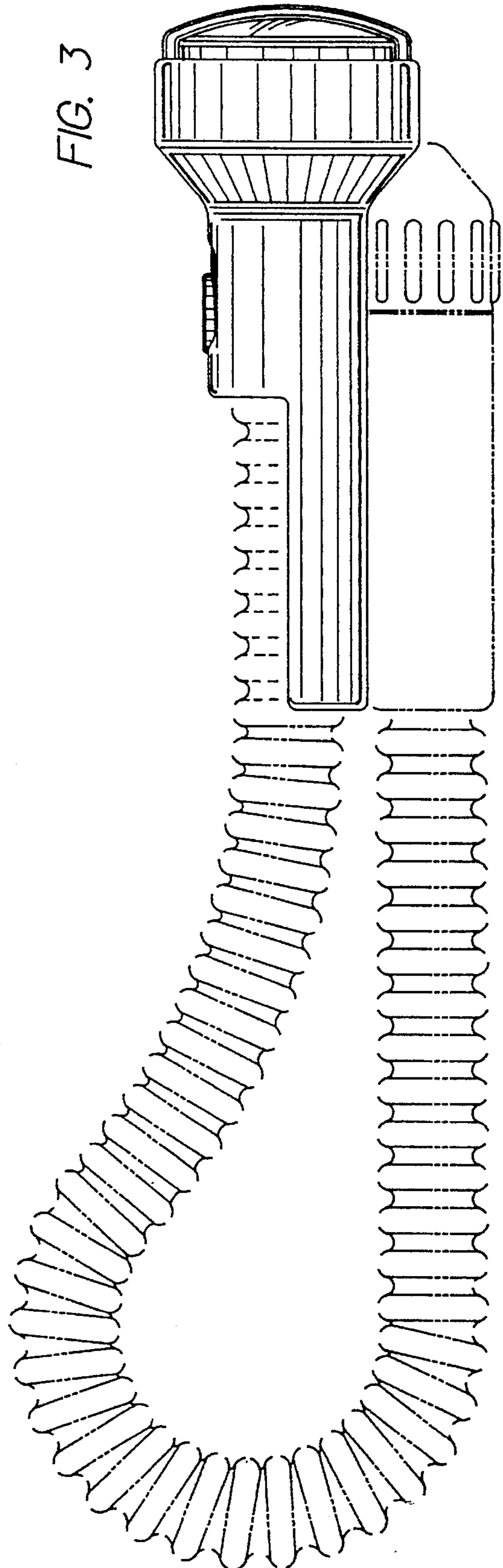
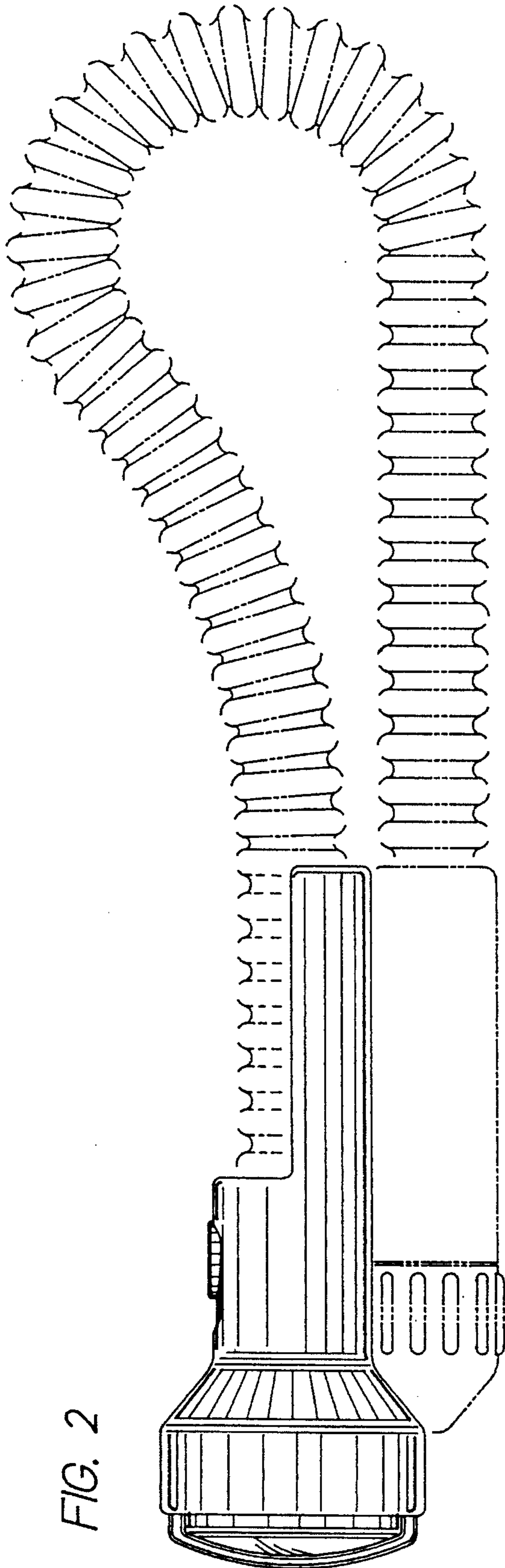


FIG. 1



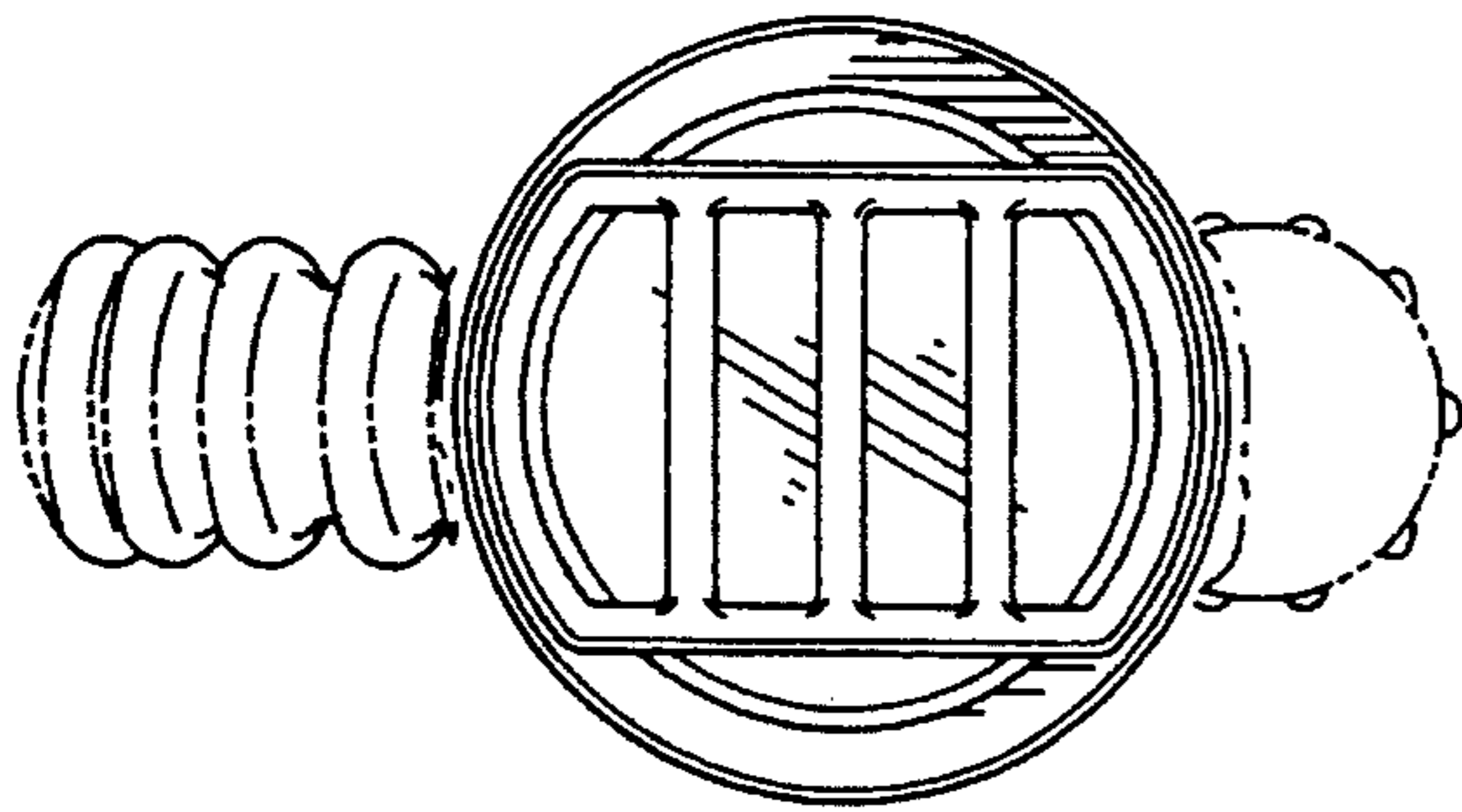


FIG. 4

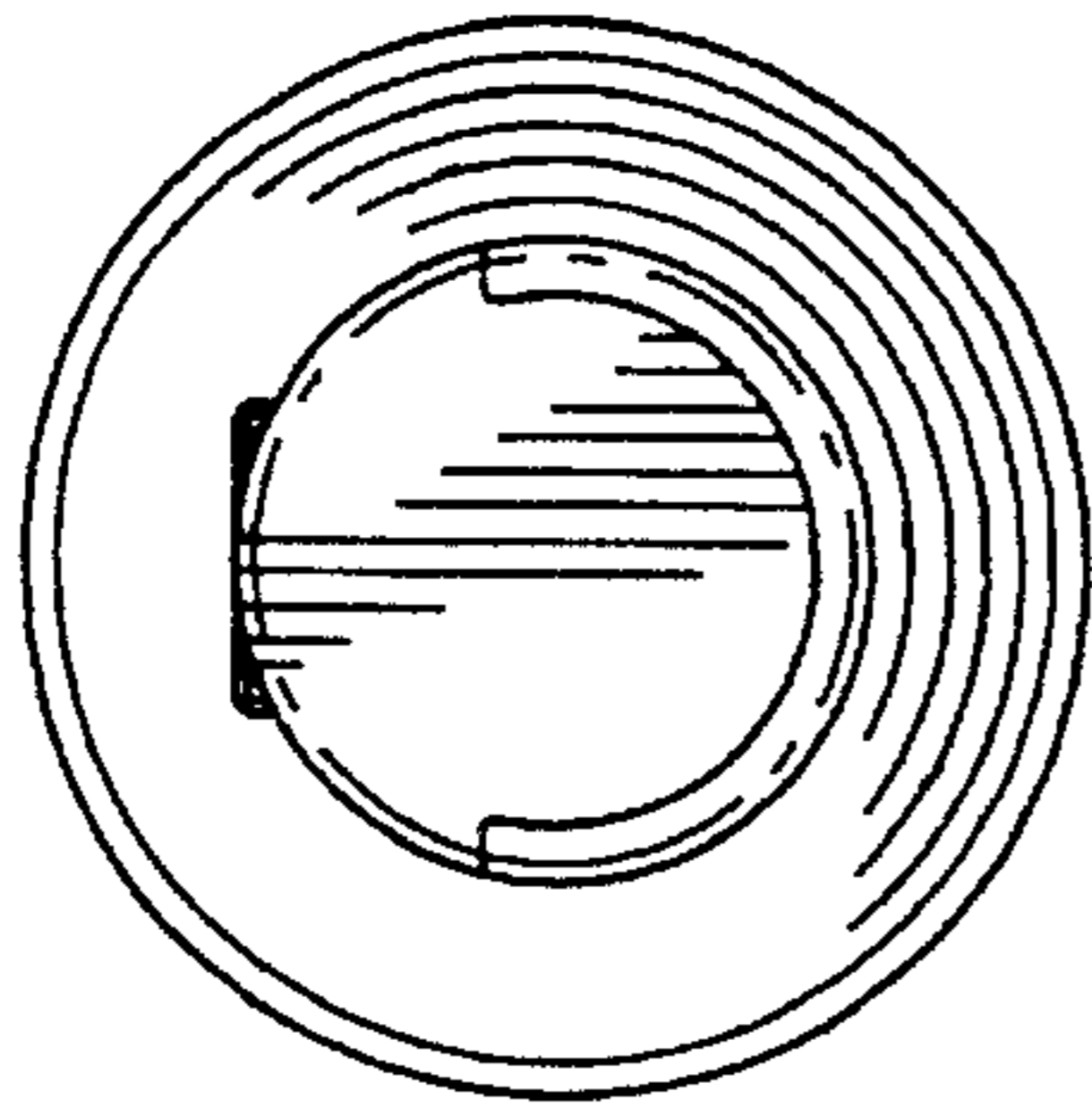


FIG. 5

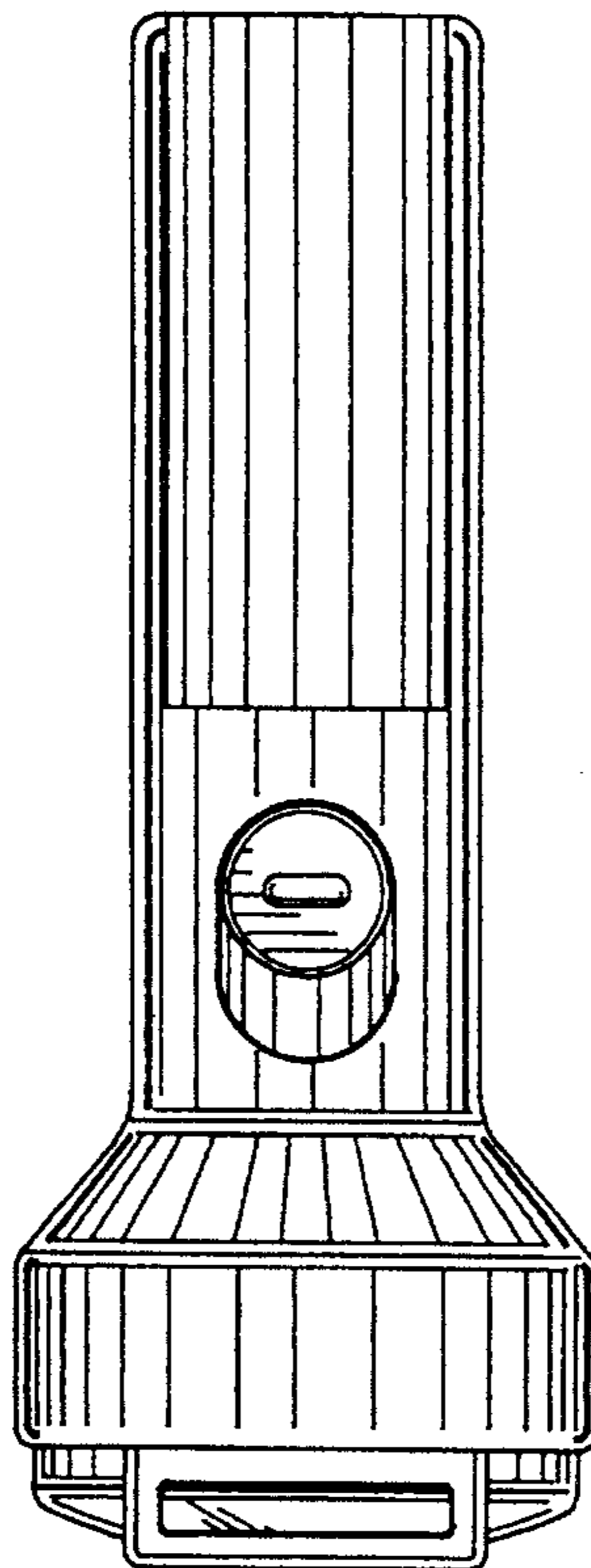


FIG. 6

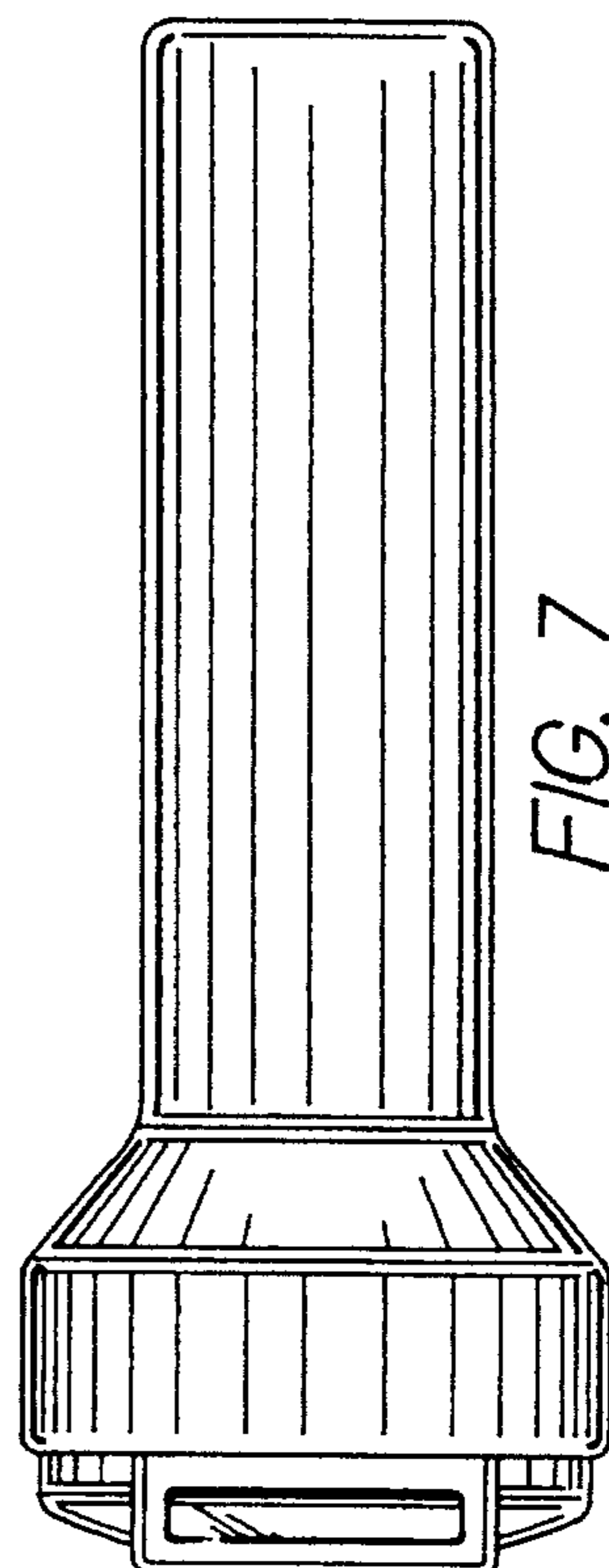
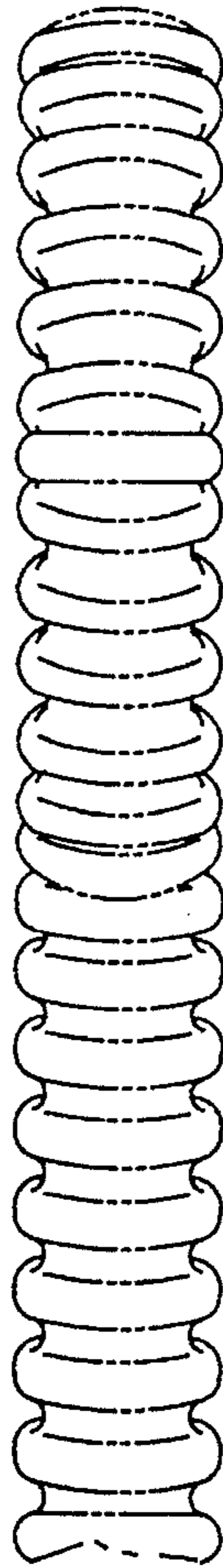


FIG. 7

