



US00D374491S

# United States Patent [19]

Huang

[11] Patent Number: **Des. 374,491**

[45] Date of Patent: **\*\*Oct. 8, 1996**

[54] **FOG LIGHT**

[76] Inventor: **Kuo-Chin Huang**, No. 103, Cheng I Second St., Jen I Tsun, Jen Te Hsiang, Tainan Hsien, Taiwan

[\*\*] Term: **14 Years**

[21] Appl. No.: **40,291**

[22] Filed: **Jun. 14, 1995**

[52] U.S. Cl. .... **D26/28**

[58] Field of Search ..... D26/28-36; D10/114, D10/121; 362/61, 80, 81, 82, 83, 72

[56] **References Cited**

**U.S. PATENT DOCUMENTS**

- D. 266,997 11/1982 Cibie ..... D26/28
- D. 267,157 12/1982 Kong ..... D10/114
- D. 267,787 2/1983 Braun ..... D10/114
- D. 270,190 8/1983 Ichikawa ..... D26/28

- D. 333,879 3/1993 Tsai ..... D26/28
- D. 364,240 11/1995 Huang ..... D26/28

*Primary Examiner*—Marcus A. Jackson  
*Attorney, Agent, or Firm*—Browdy and Neimark

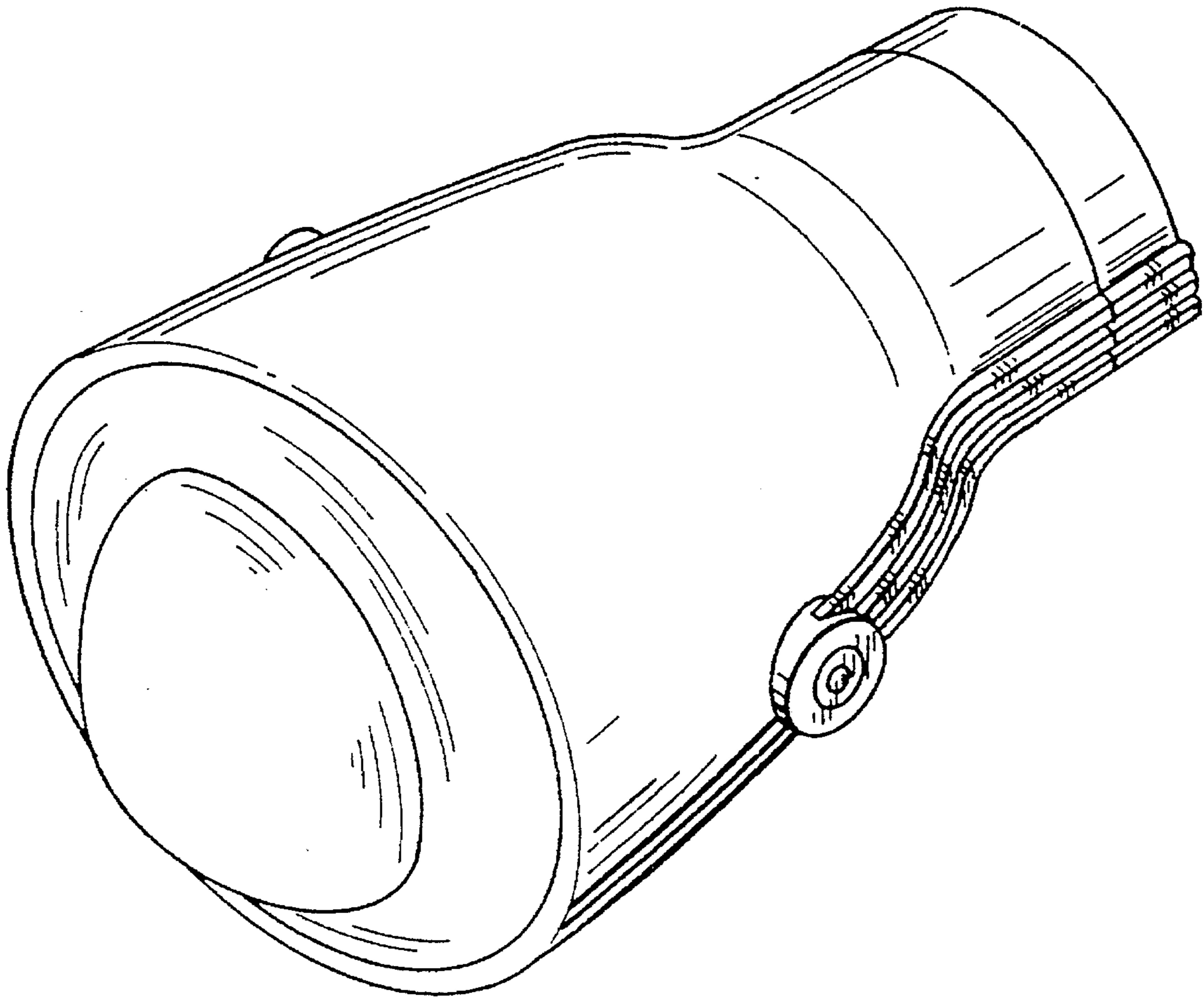
[57] **CLAIM**

The ornamental design for a fog light, as shown and described.

**DESCRIPTION**

FIG. 1 is a perspective view of fog light showing my new design;  
FIG. 2 is a right side view thereof;  
FIG. 3 is a left side view thereof;  
FIG. 4 is a top plan view thereof, with the bottom being a mirror image;  
FIG. 5 is a front view thereof; and,  
FIG. 6 is a back view thereof.

**1 Claim, 4 Drawing Sheets**



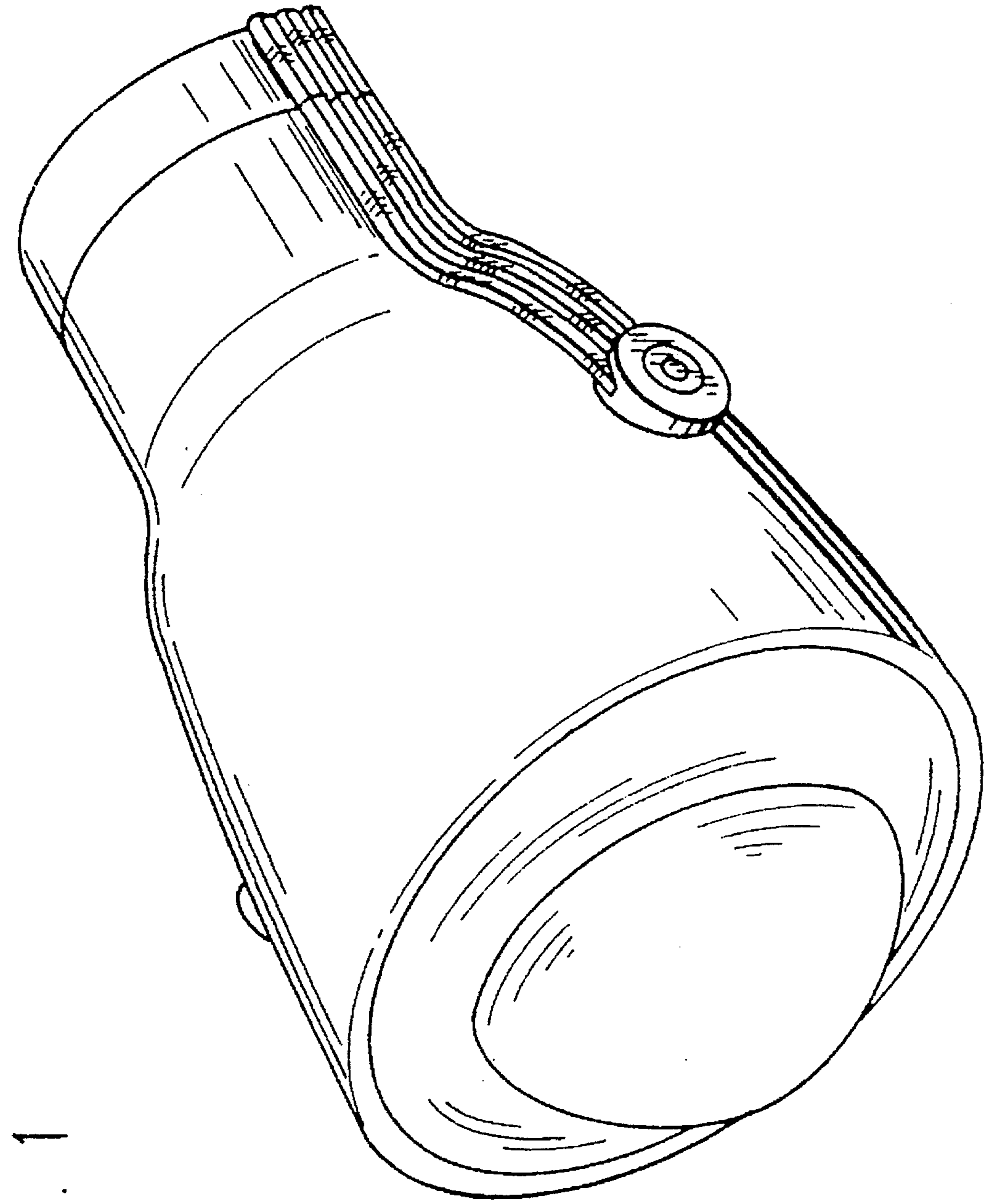


FIG. 1

FIG. 2

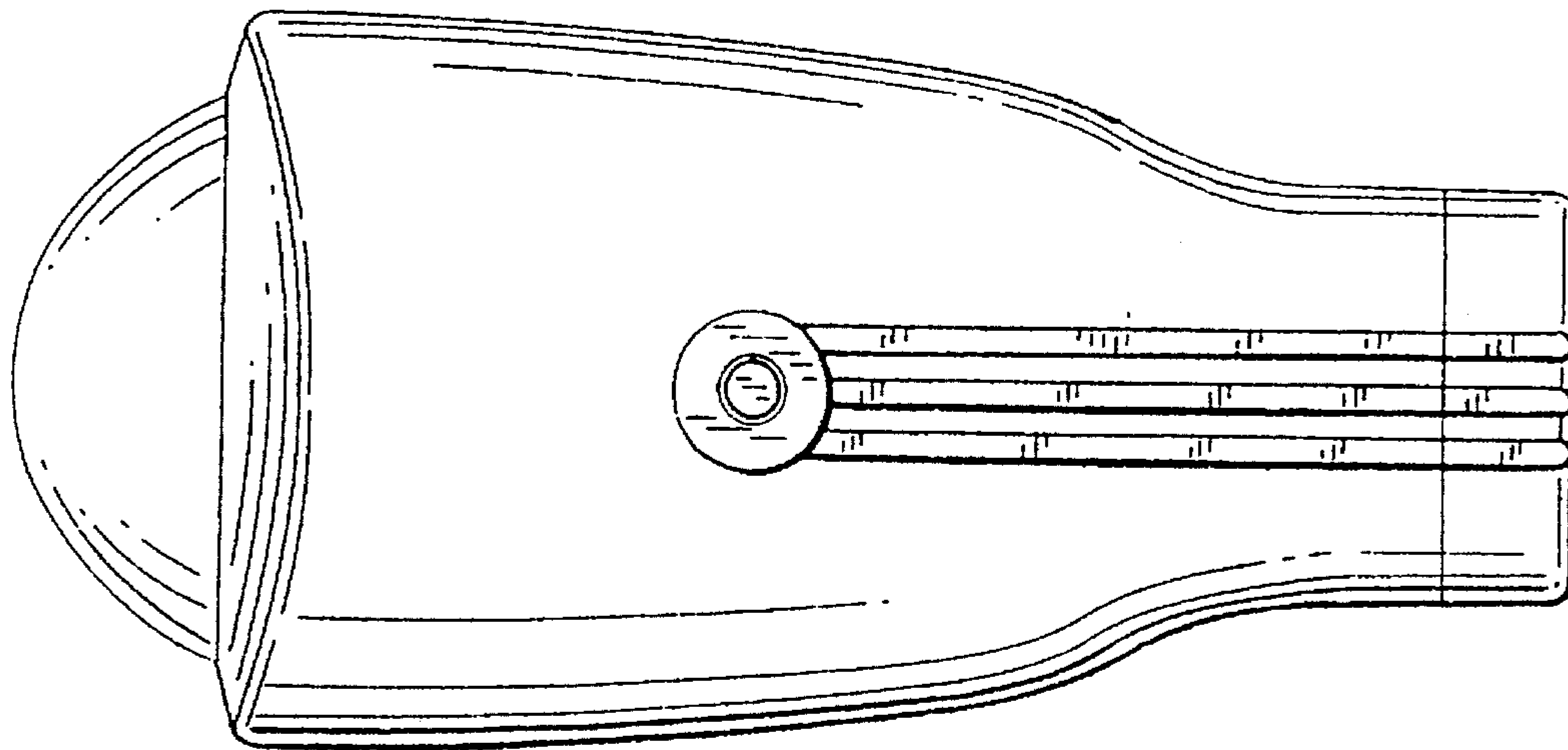


FIG. 3

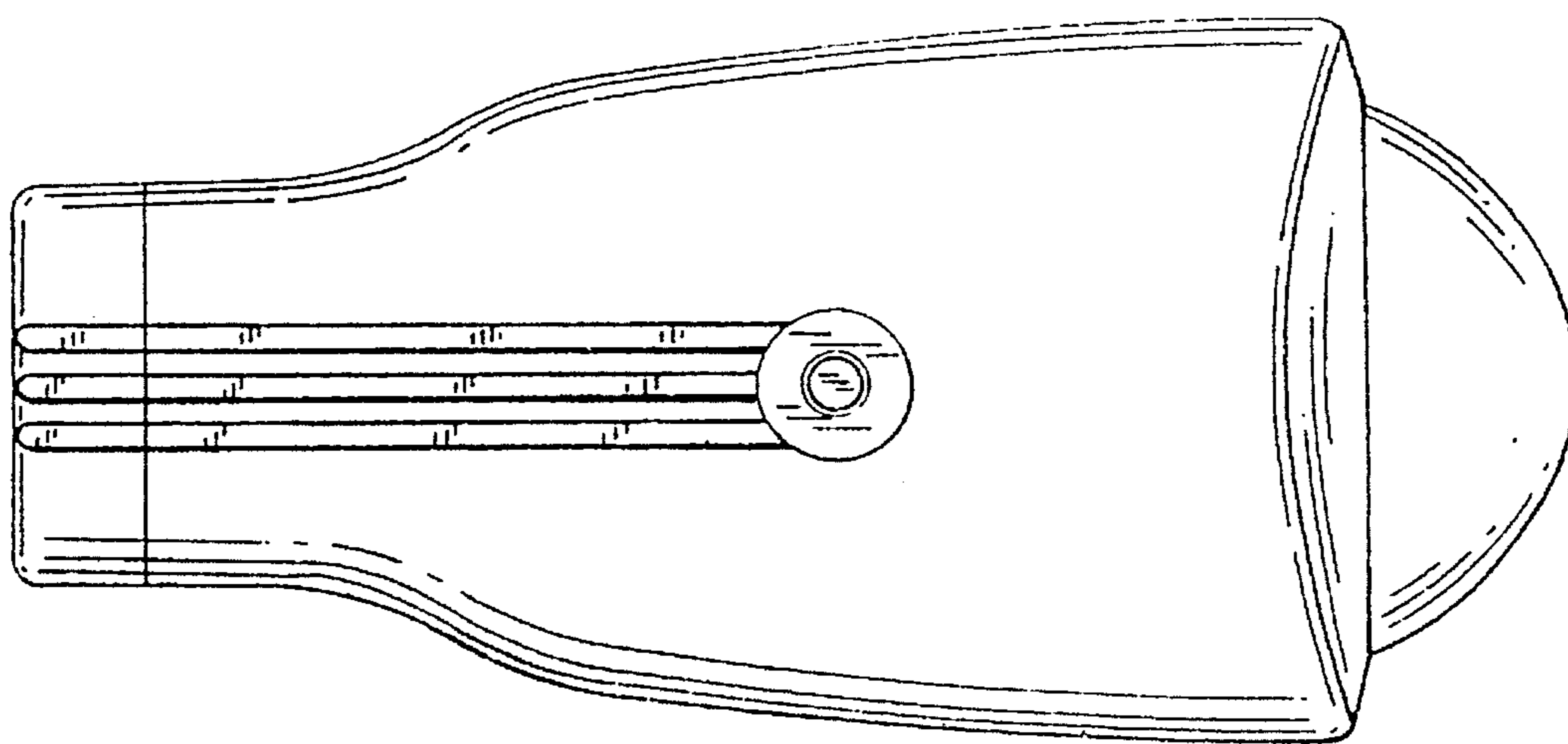


FIG. 4

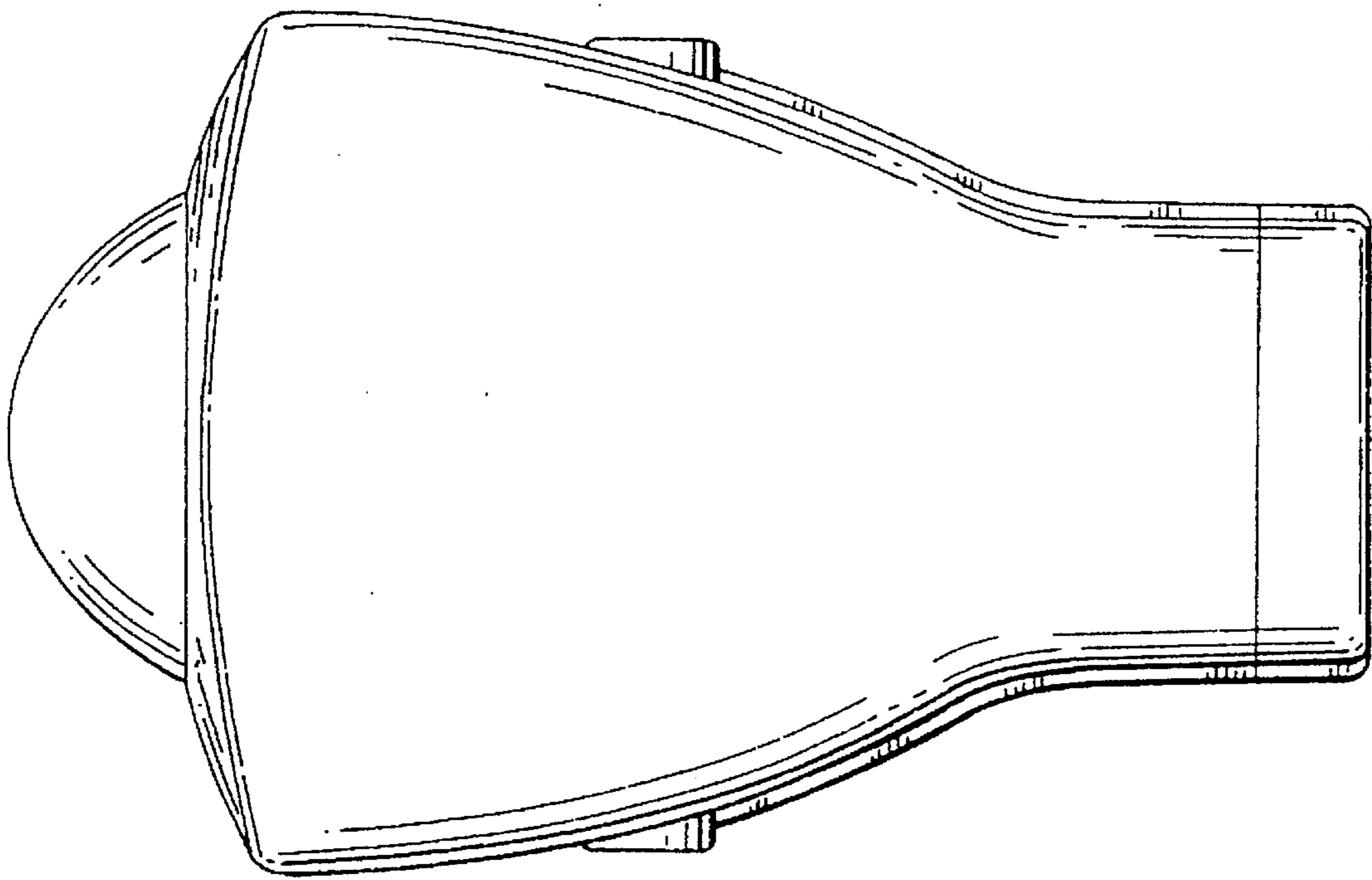


FIG. 5

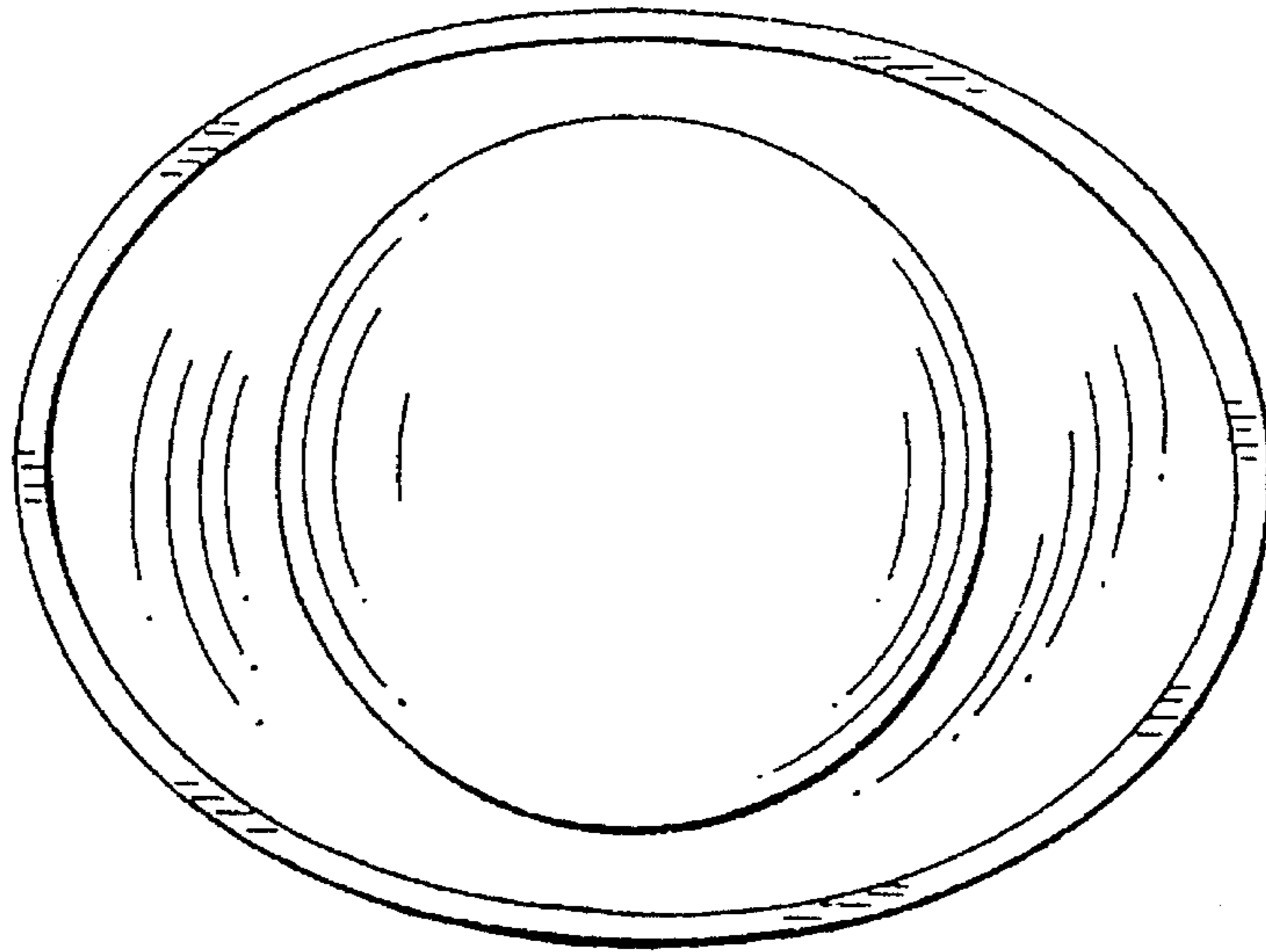


FIG. 6

