



US00D374488S

United States Patent [19]

Wang

[11] Patent Number: **Des. 374,488**

[45] Date of Patent: ****Oct. 8, 1996**

[54] **ADJUSTABLE FRAME**

[76] Inventor: **Yuan-Chi Wang**, 30-3, Ming Kuo Street, Tai Shan Shiang, Taipei Shien, Taiwan

[**] Term: **14 Years**

[21] Appl. No.: **37,519**

[22] Filed: **Apr. 7, 1995**

[52] U.S. Cl. **D25/124**

[58] Field of Search D25/124; 49/505; 52/204.56

[56] **References Cited**

U.S. PATENT DOCUMENTS

3,103,374	9/1963	Portnog	D25/124
4,453,346	6/1984	Powell et al.	49/505
4,782,630	11/1988	Kleyn	49/505
5,345,722	9/1994	McKann	49/505

Primary Examiner—Doris Clark

Attorney, Agent, or Firm—Peterson, Wicks, Nemer & Kamrath, P.A.

[57] **CLAIM**

The ornamental design for an adjustable frame, as shown and described.

DESCRIPTION

FIG. 1 is a perspective view of an adjustable frame showing my new design;

FIG. 2 is a front elevational view thereof;

FIG. 3 is a rear elevational view thereof;

FIG. 4 is a top plan view thereof;

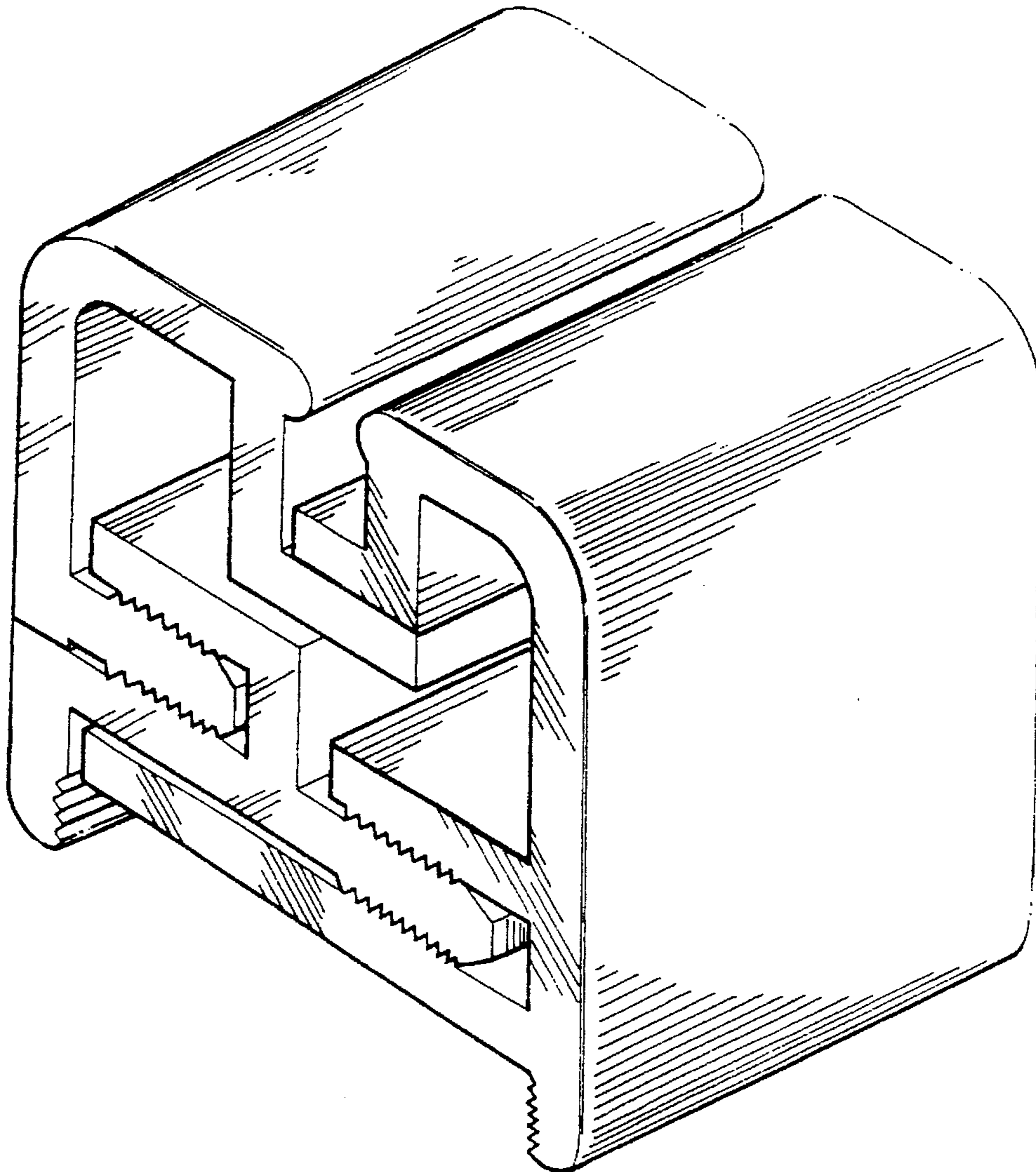
FIG. 5 is a bottom plan view thereof;

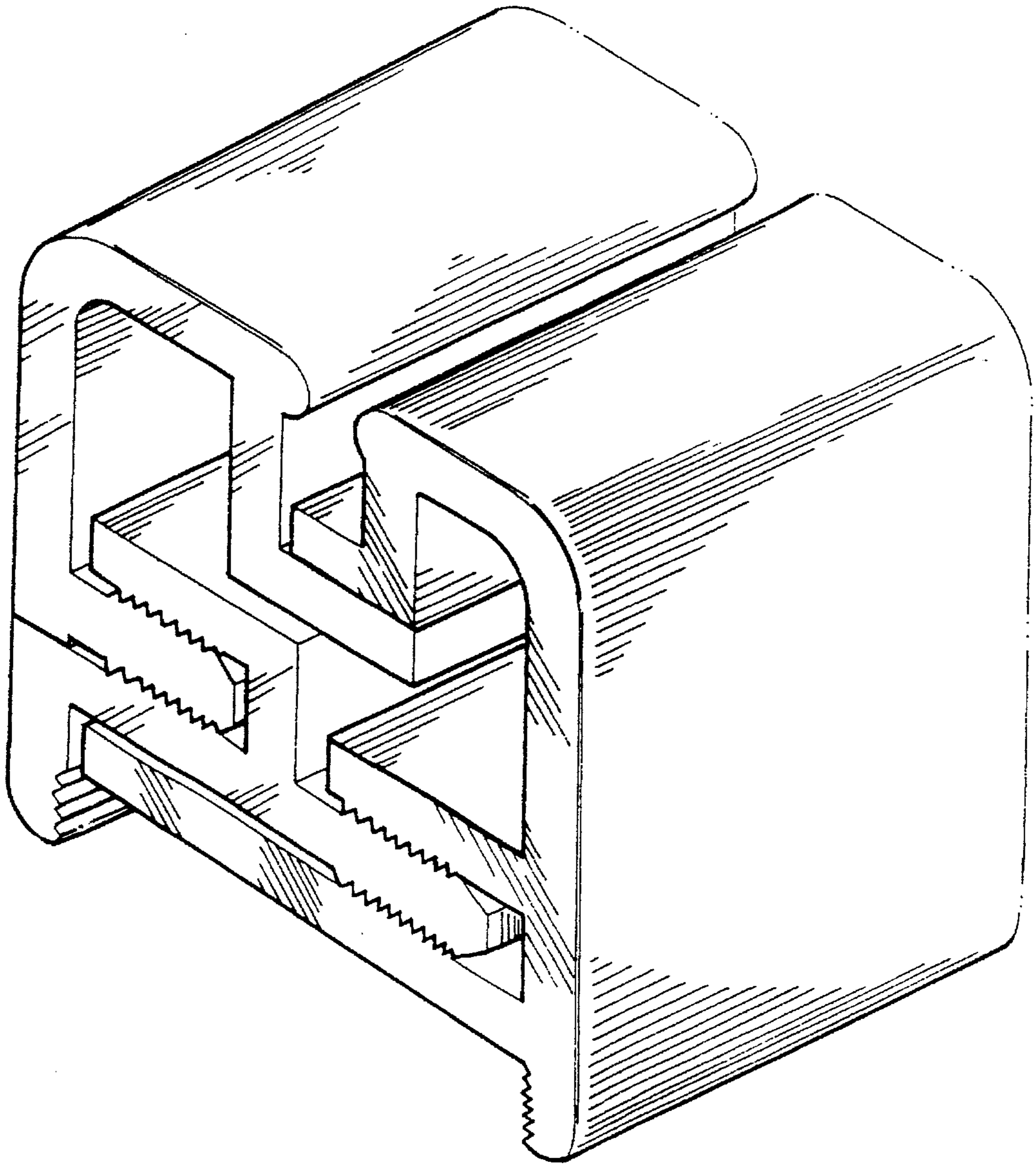
FIG. 6 is a left side elevational view thereof; and,

FIG. 7 is a right side elevational view thereof.

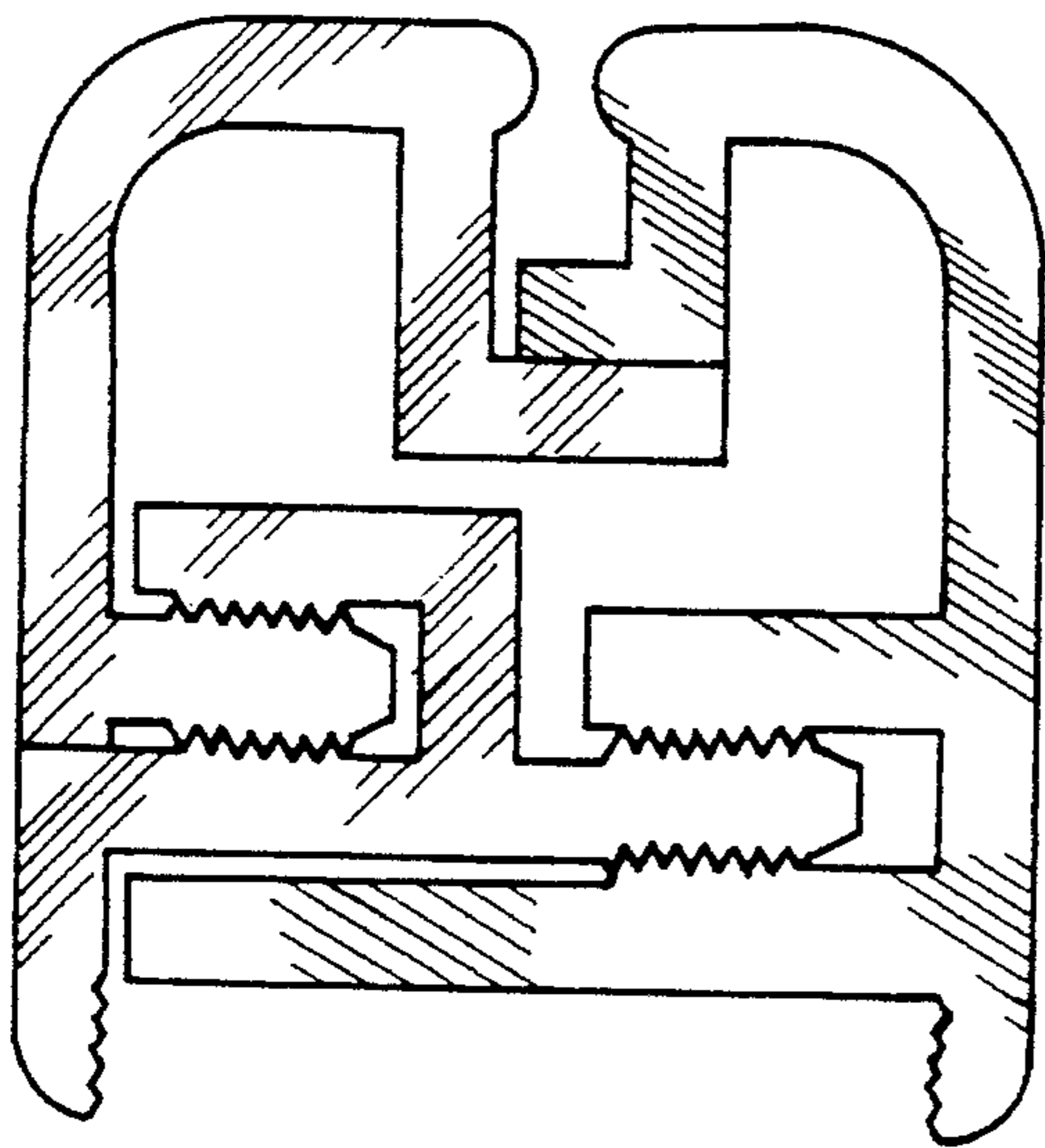
The adjustable frame is broken away on the end to indicate indeterminate length.

1 Claim, 4 Drawing Sheets

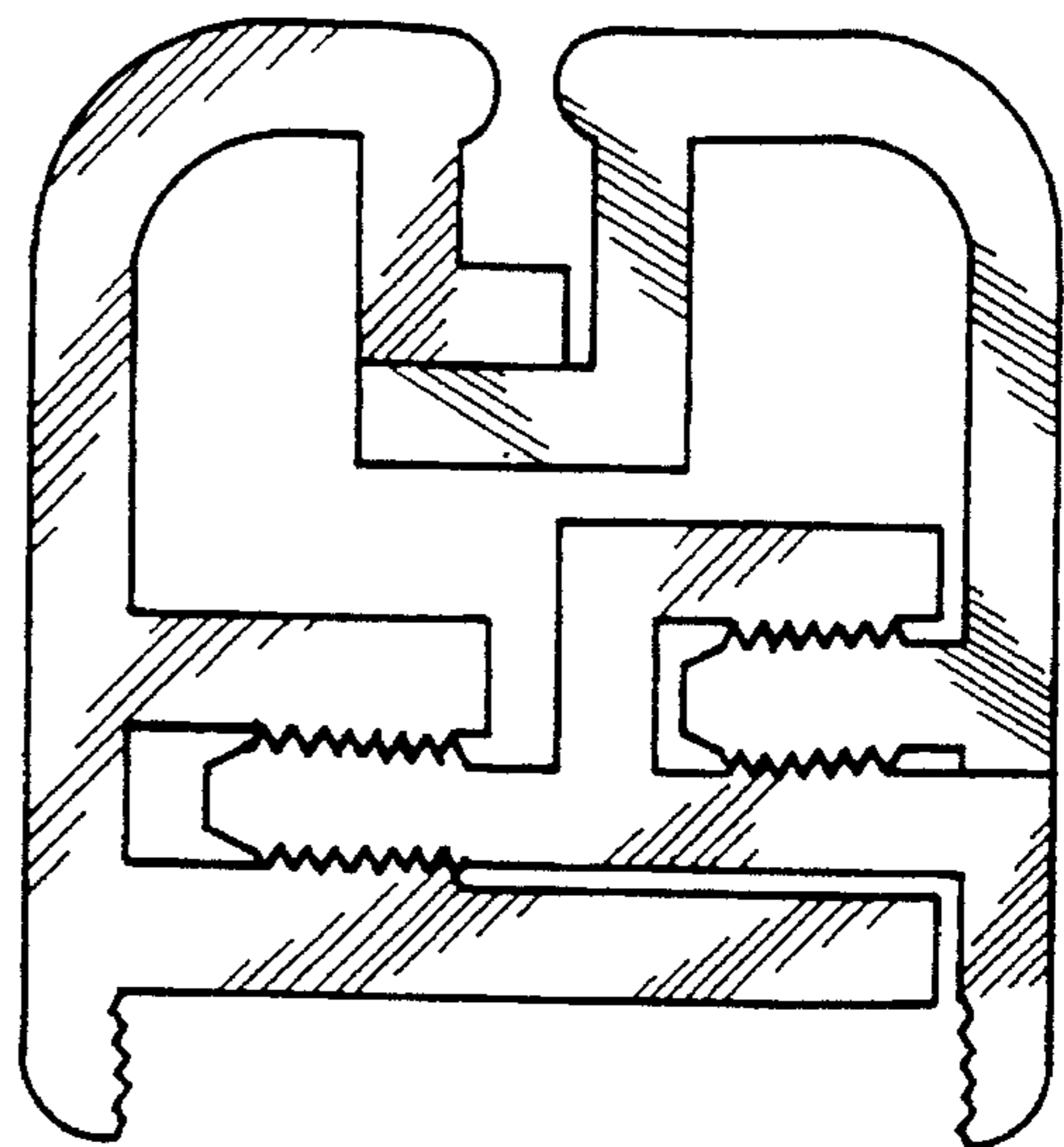




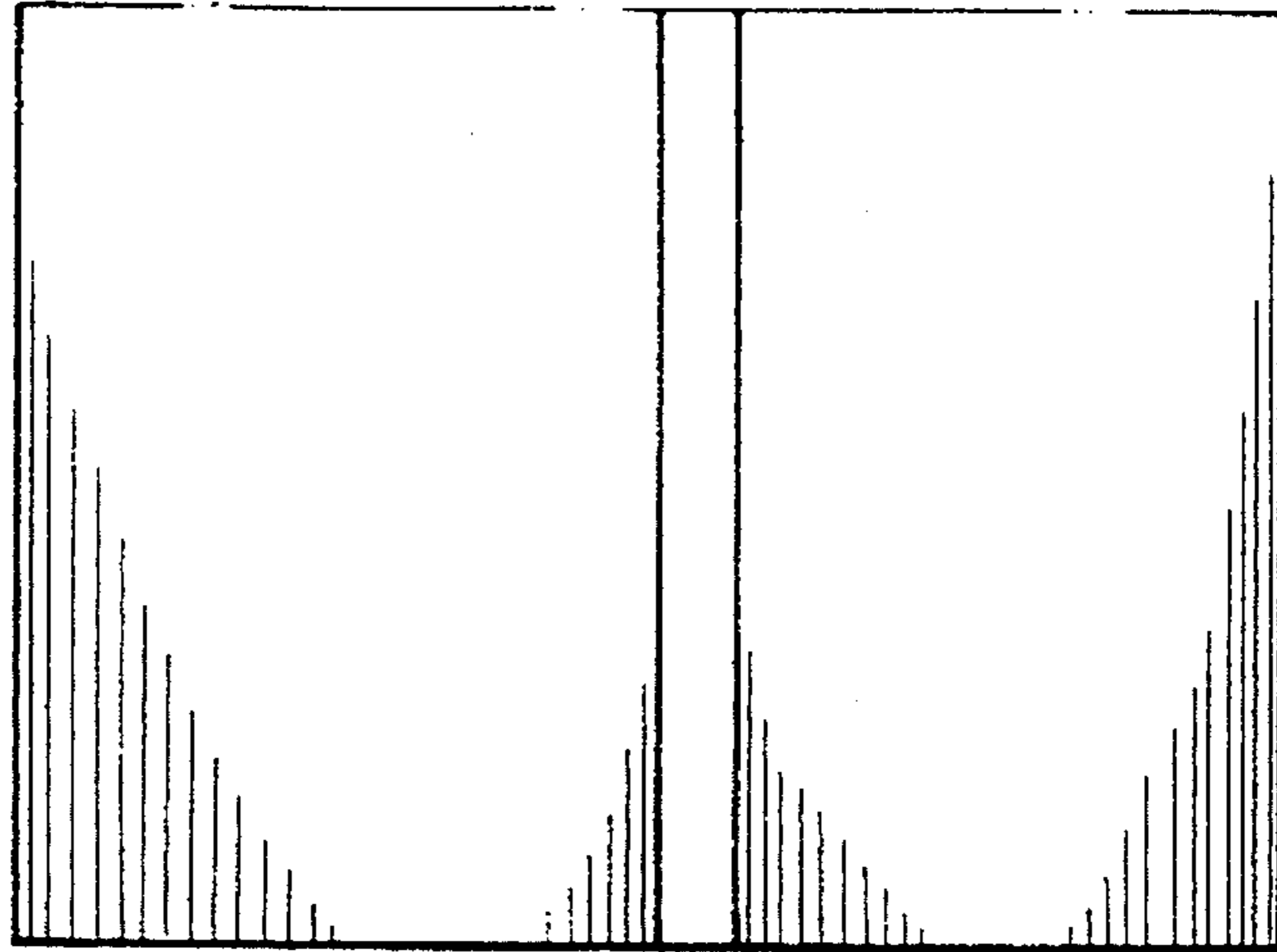
F I G. 1



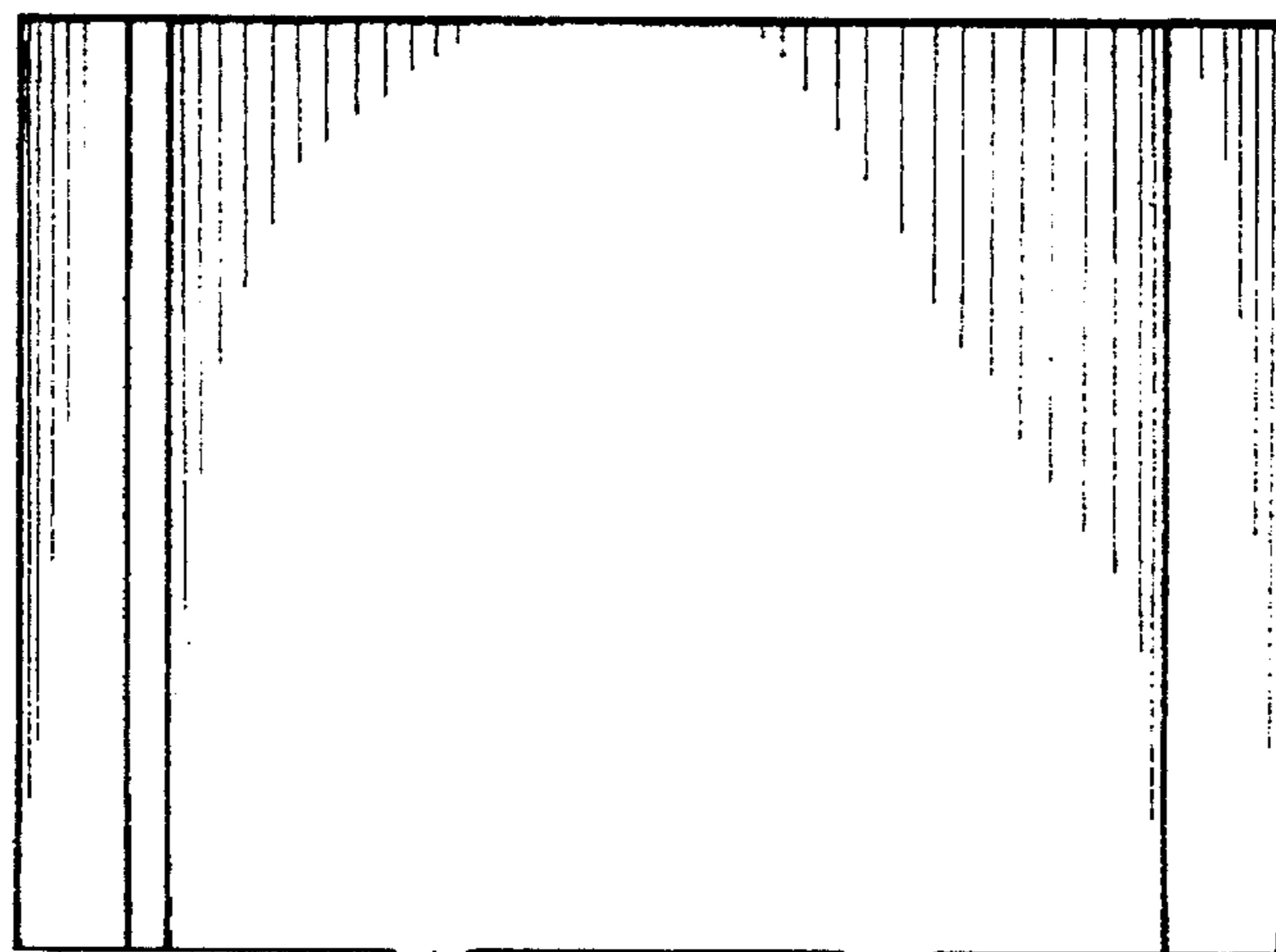
F I G. 2



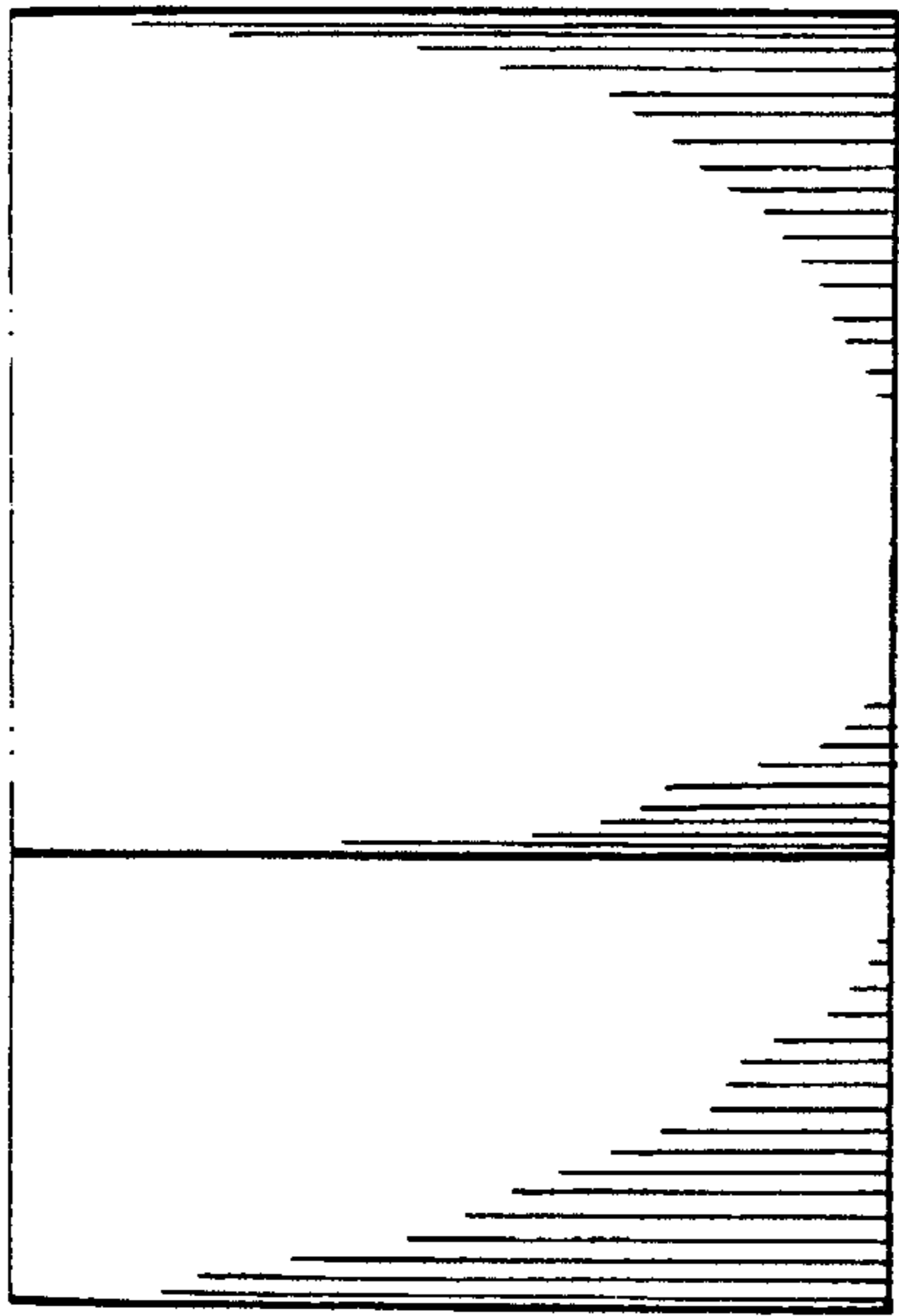
F I G. 3



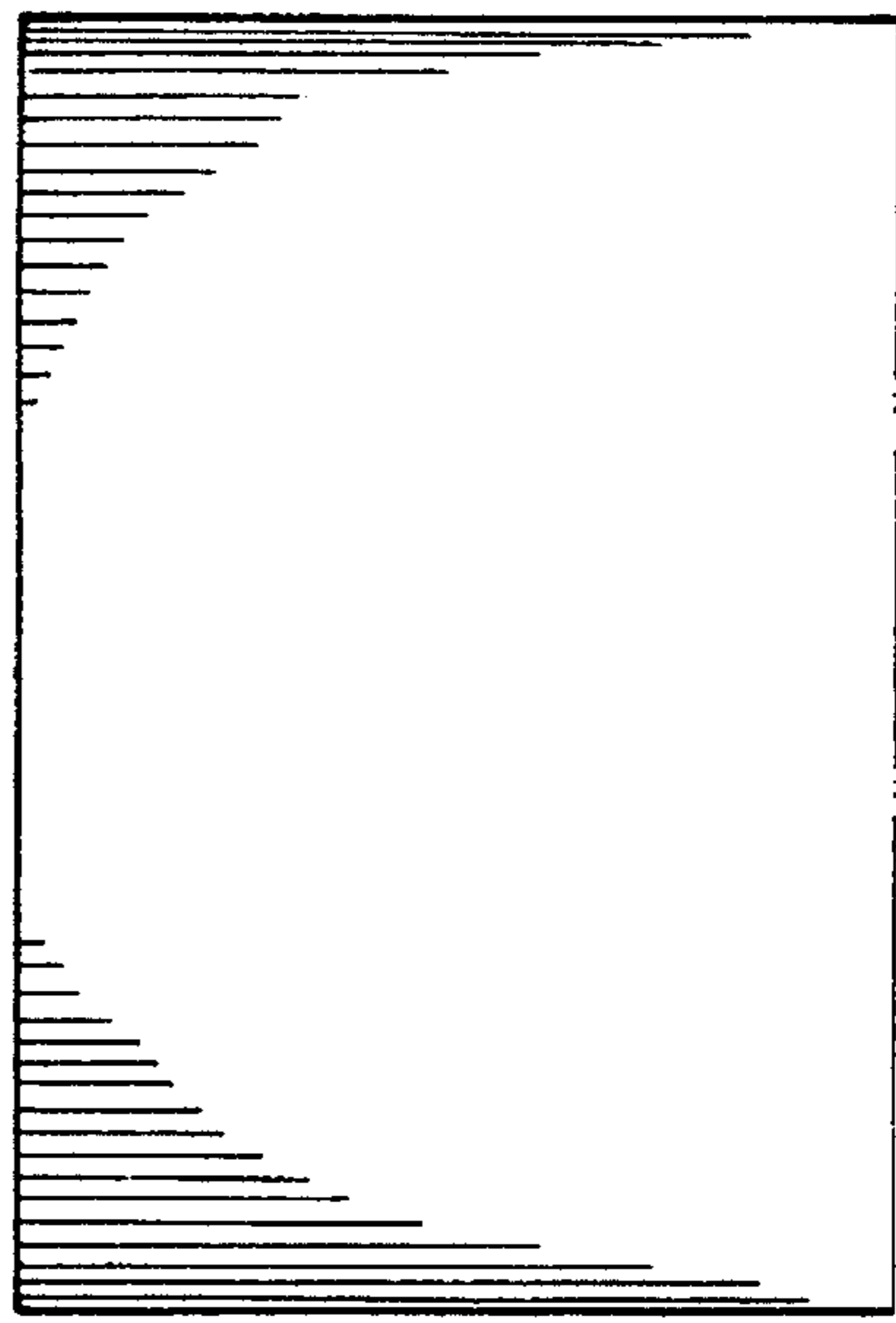
F I G. 4



F I G. 5



F I G. 6



F I G. 7