



US00D374486S

# United States Patent [19] Guin

[11] **Patent Number:** **Des. 374,486**

[45] **Date of Patent:** **\*\*Oct. 8, 1996**

[54] **COMBINED DOOR AND FRAME FOR CRAWL SPACE OPENING**

[76] **Inventor:** **Quinton M. Guin**, P.O. Box 778, Calera, Ala. 35040

[\*\*] **Term:** **14 Years**

[21] **Appl. No.:** **43,710**

[22] **Filed:** **Sep. 11, 1995**

[52] **U.S. Cl.** ..... **D25/48**

[58] **Field of Search** ..... **D25/48; 52/200, 52/455, 456, 20; 49/400, 463, 477.1**

[56] **References Cited**

**U.S. PATENT DOCUMENTS**

D. 348,316	6/1994	Malmanger et al.	.....	D25/48
3,213,980	10/1965	Persson	.....	49/400
5,172,519	12/1992	Cooper	.....	49/400
5,327,682	7/1994	Holtz	.....	49/400

*Primary Examiner*—Doris Clark

*Attorney, Agent, or Firm*—Veal & Marsh

[57] **CLAIM**

The ornamental design for the combined door and frame for crawl space opening, as shown and described.

**DESCRIPTION**

FIG. 1 is a front perspective view of a combined door and frame for crawl space opening showing my new design; FIG. 2 is a rear perspective view thereof; FIG. 3 is a front elevational view thereof; FIG. 4 is a rear elevational view thereof; FIG. 5 is a front perspective view of the present invention mounted within a crawl space opening which is shown in broken lines illustrating environmental structure; FIG. 6 is a front perspective view of an alternate embodiment of the present invention; FIG. 7 is a rear perspective view thereof; FIG. 8 is a front elevational view thereof; and, FIG. 9 is a rear elevational view thereof.

**1 Claim, 5 Drawing Sheets**

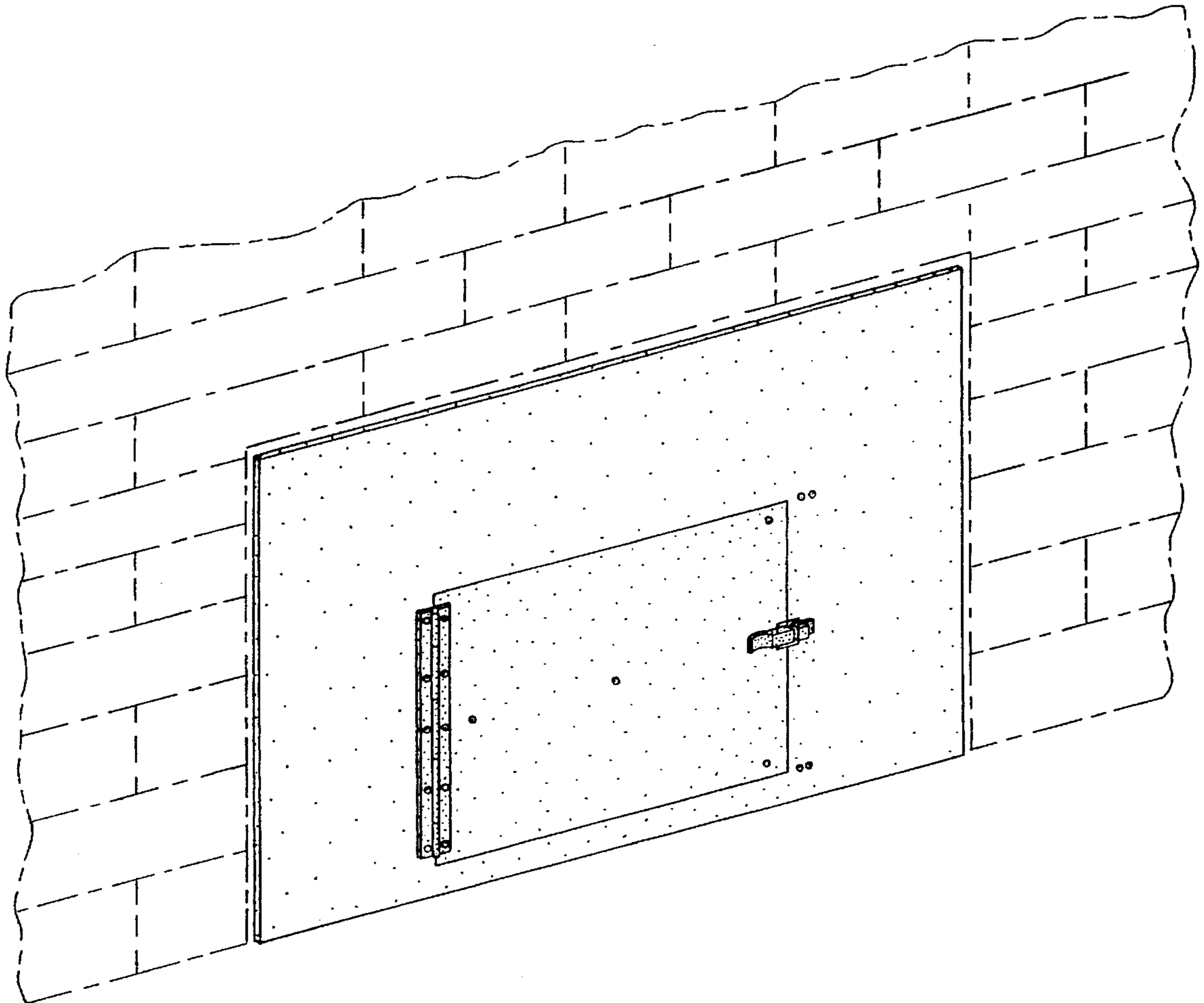


FIG. 1

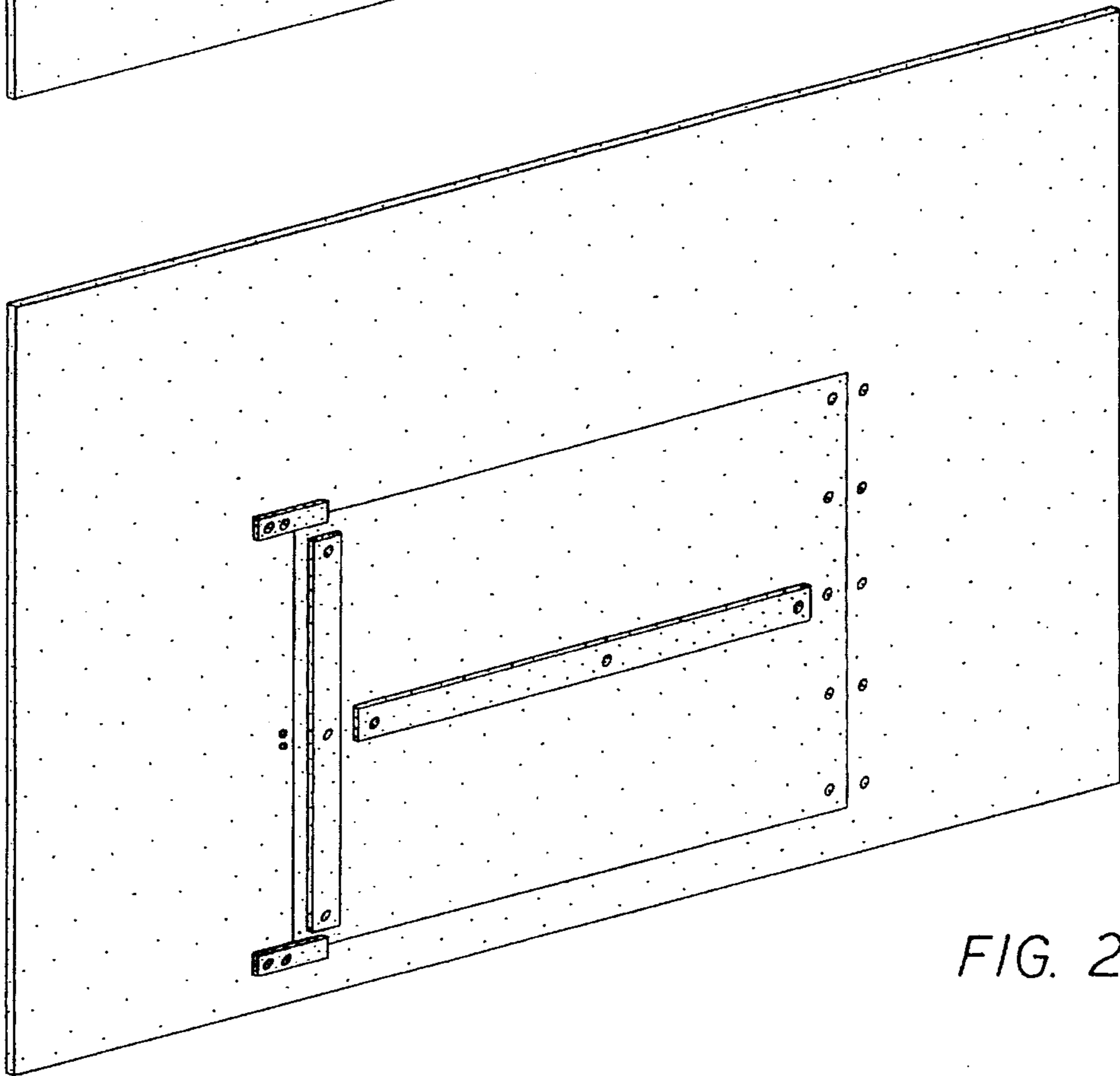
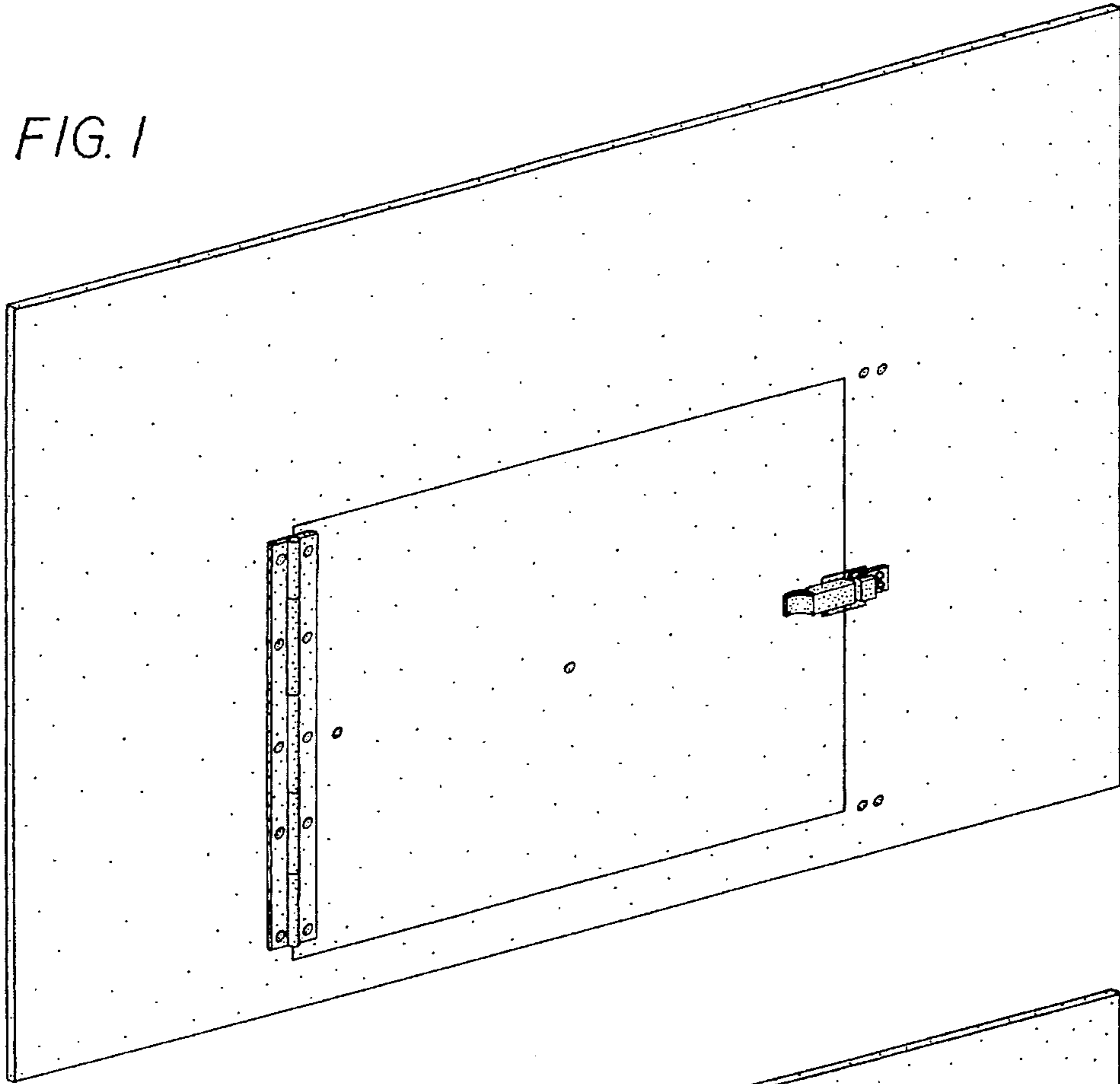


FIG. 2

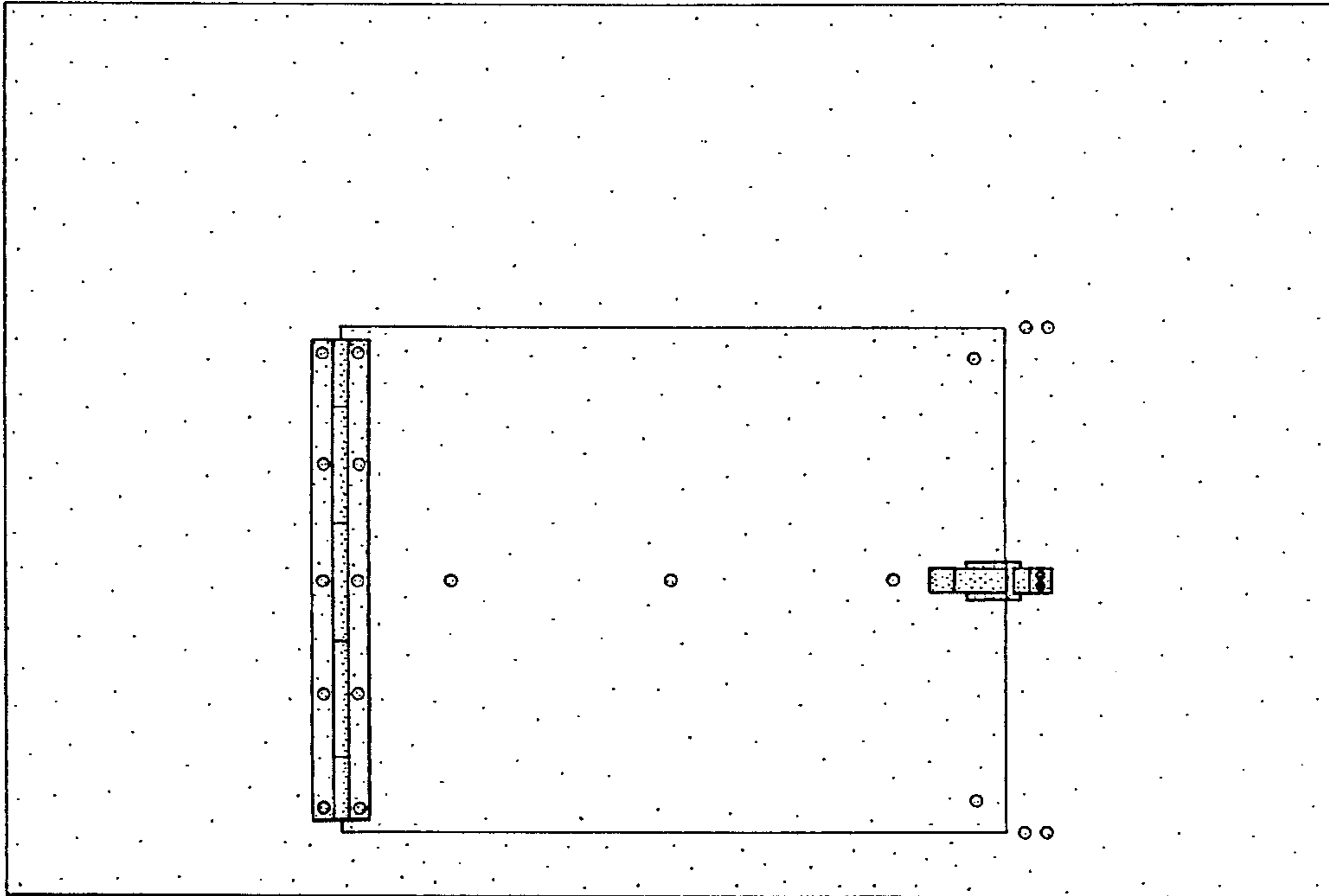
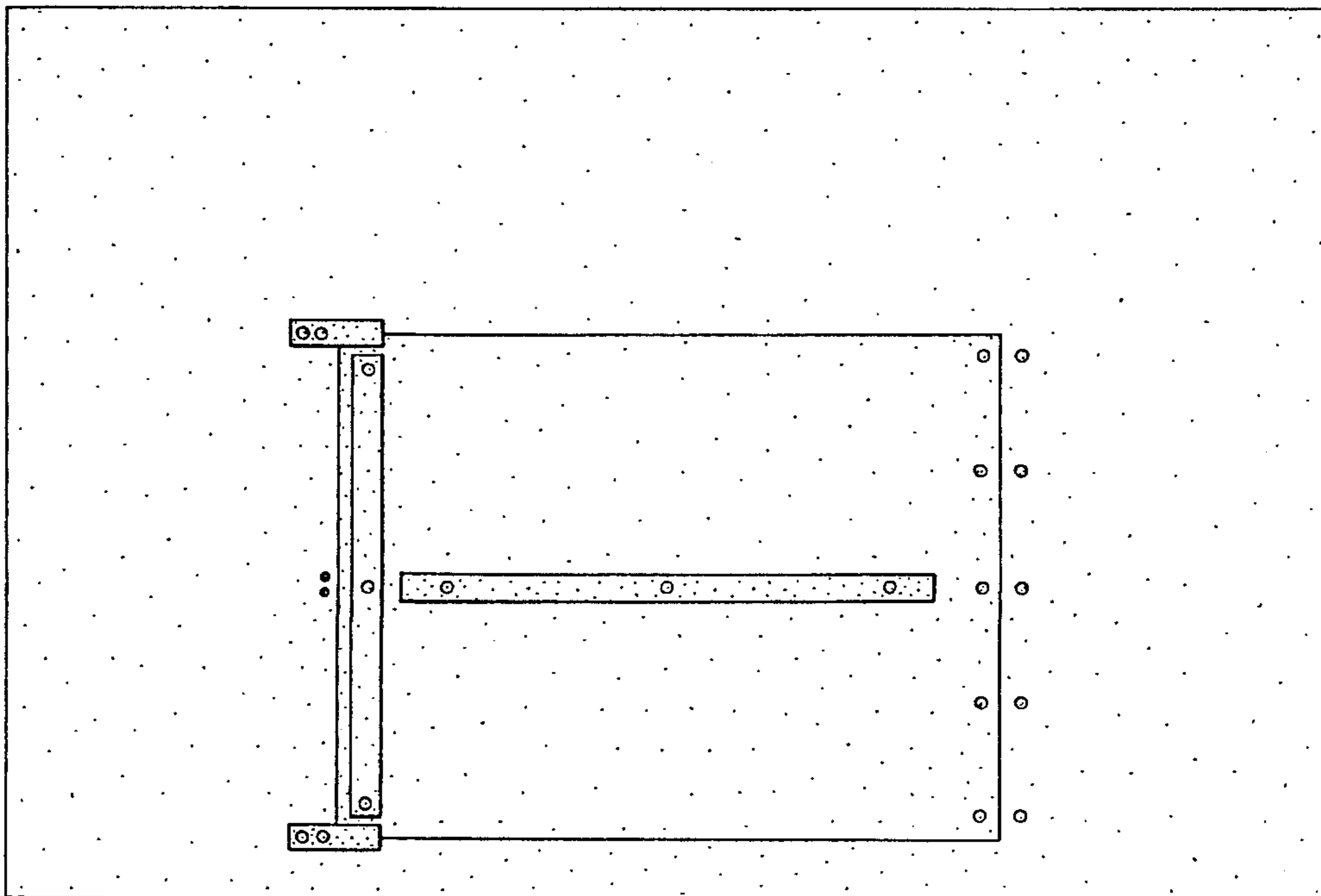


FIG. 3

FIG. 4



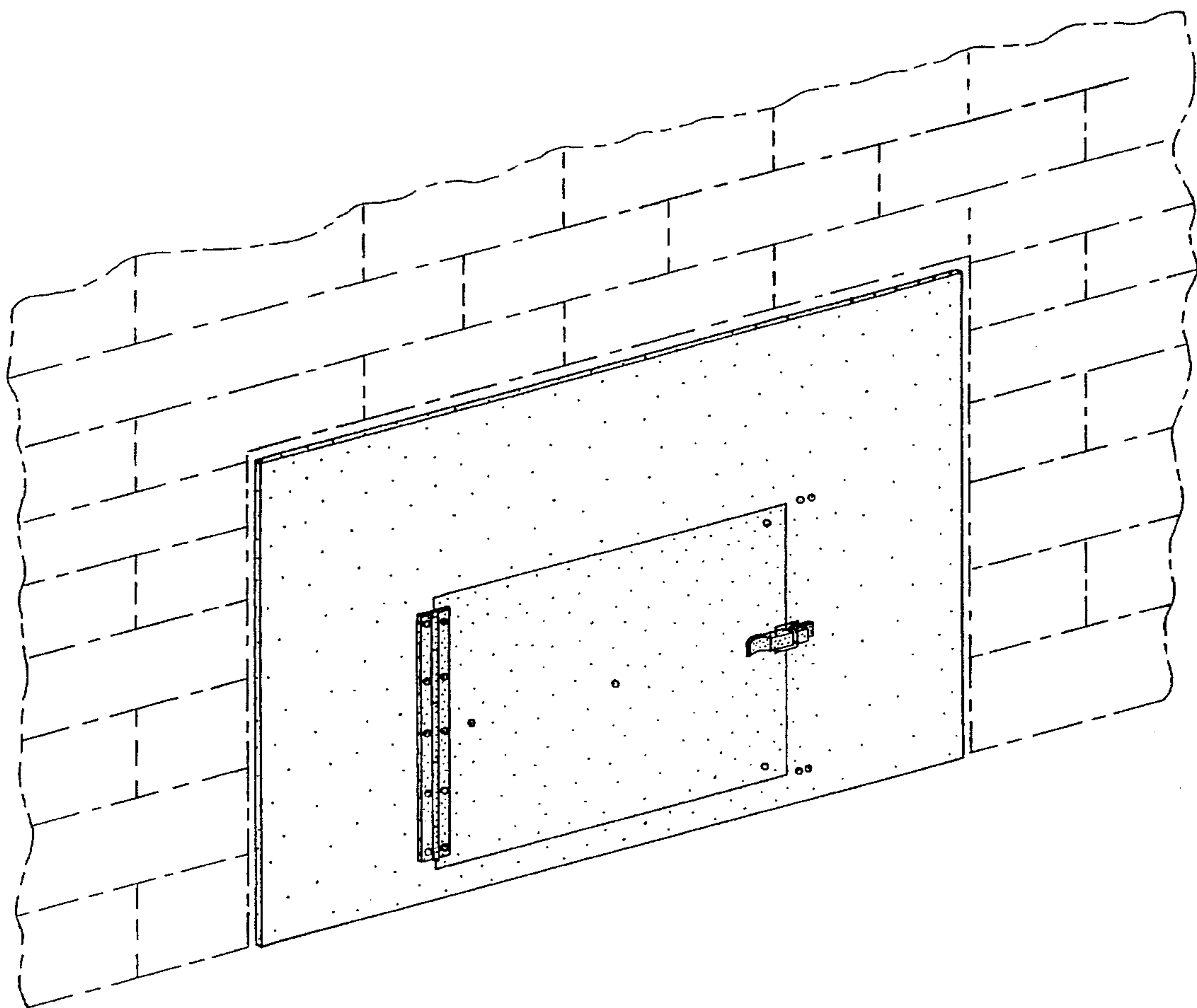


FIG. 5

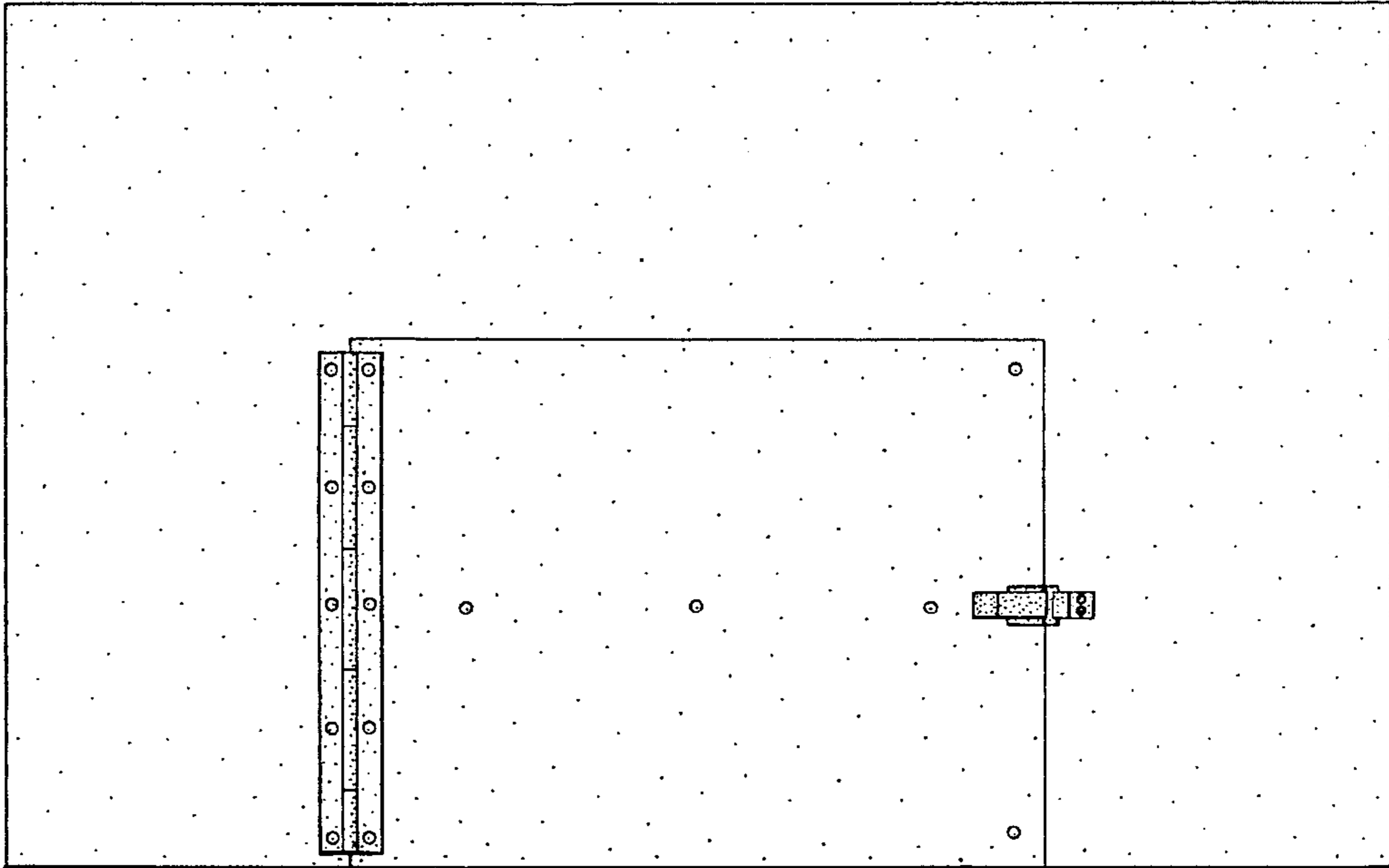


FIG. 6

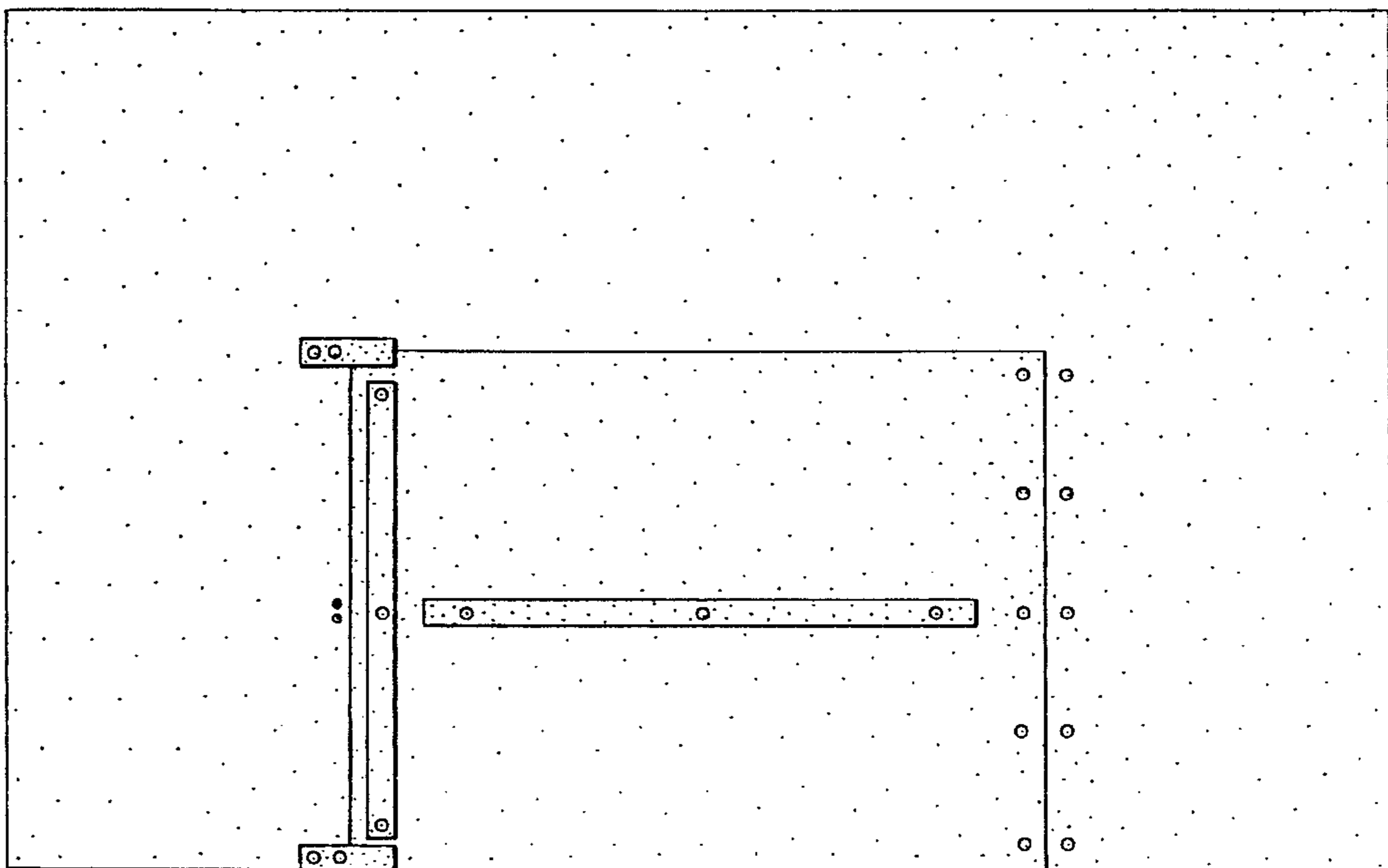


FIG. 7

FIG. 8

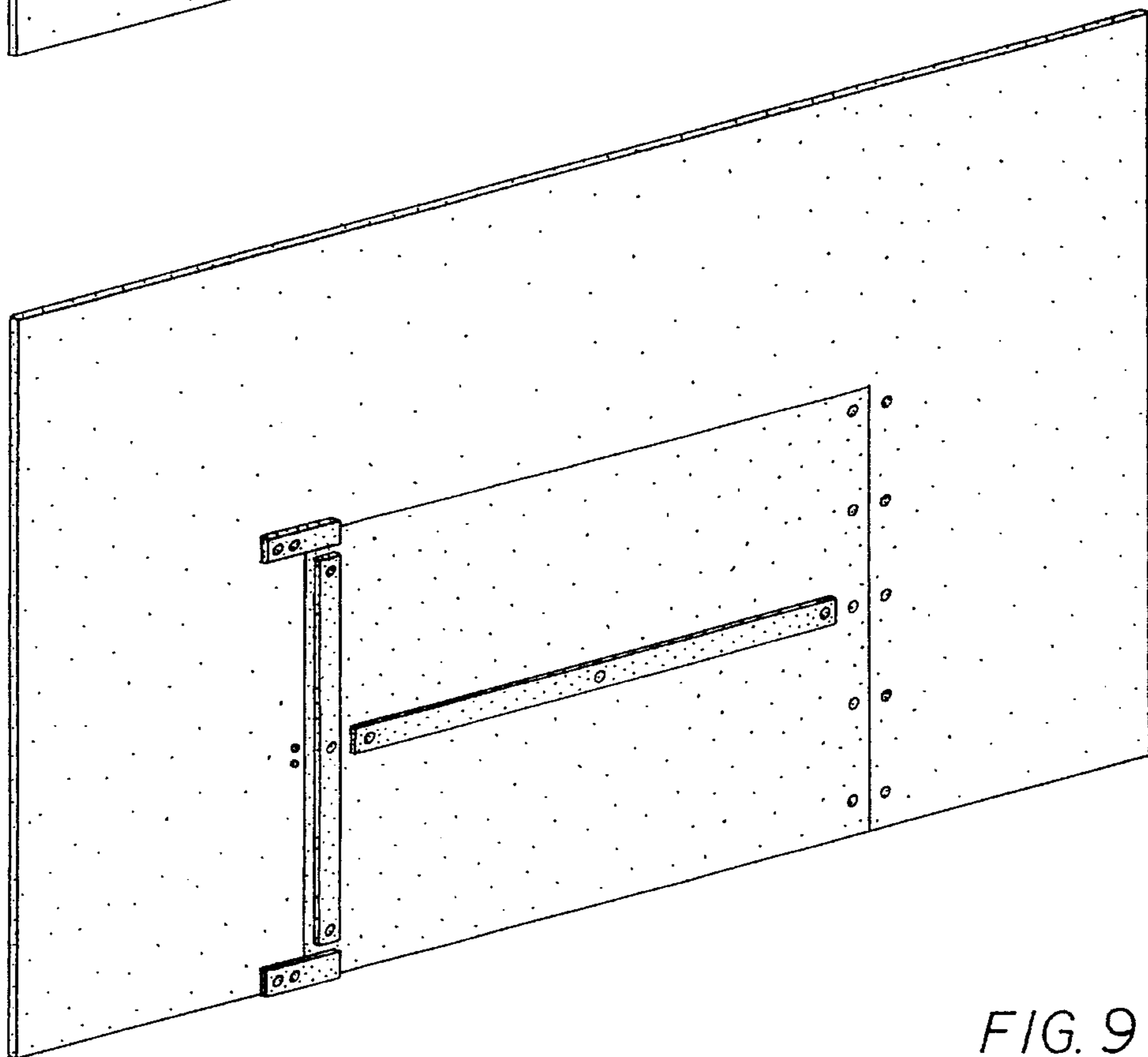
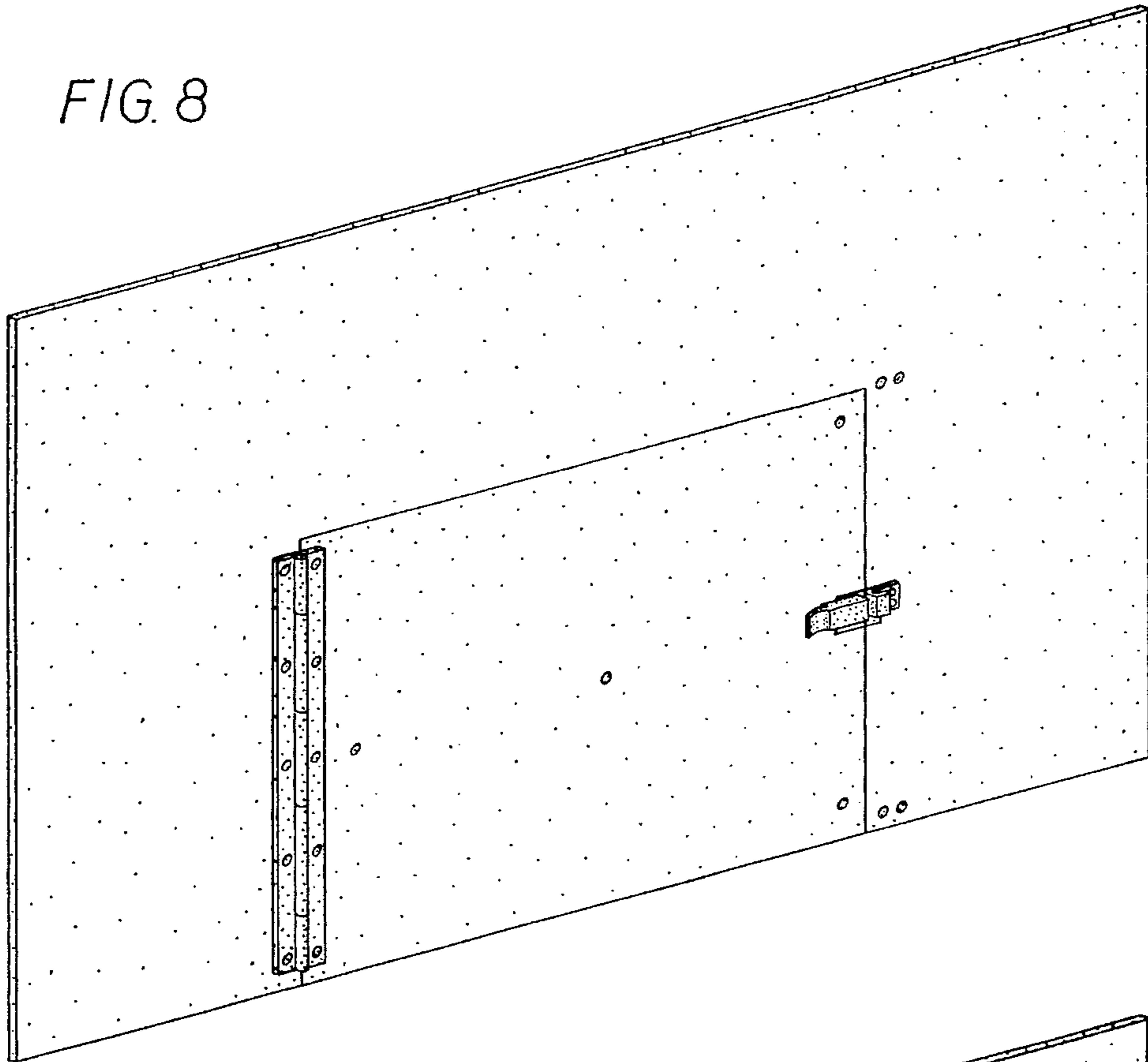


FIG. 9