



US00D374483S

# United States Patent [19]

[11] **Patent Number: Des. 374,483**

**López et al.**

[45] **Date of Patent: \*\*Oct. 8, 1996**

## [54] SHOCK-ABSORBING BUMPER FOR A BOAT

## OTHER PUBLICATIONS

[76] Inventors: **José J. F. S. López**, Bosques De Ciruelos No. 160-803, Bosques De Las Lomas; **José A. A. C. Yamín**, Bosques De Ciruelos No. 160-803, Col. Bosques De Las Lomas; **Vincente R. P. Vázquez**, Bosques De Ciruelos No. 160-803, Bosques De Las Lomas, all of Mexico, 11700; **Roberto G. Sotres**, Cerrada De Bezares No. 30, Casa 3, Lomas De Bezaresy 11910, Mexico

Commercial Car Journal, May '71, p. 124, "Aluminum Disc Wheels".

*Primary Examiner*—Kay H. Chin  
*Attorney, Agent, or Firm*—Leydig, Voit & Mayer

[\*\*] Term: **14 Years**

## [57] CLAIM

The ornamental design for a shock-absorbing bumper for a boat, as shown and described.

[21] Appl. No.: **26,483**

## DESCRIPTION

[22] Filed: **Jul. 29, 1994**

[52] U.S. Cl. .... **D12/168**

[58] Field of Search ..... D12/168, 210,  
D12/204, 135, 147; 114/219

FIG. 1 is a perspective view of a shock-absorbing bumper for a boat showing our new design;

FIG. 2 is a front elevational view thereof;

FIG. 3 is a side elevational view thereof, the opposite side view thereof being identical;

FIG. 4 is a top plan view thereof, the bottom view thereof being identical;

FIG. 5 is a front elevational view of a second embodiment of the shock absorbing bumper for a boat; and,

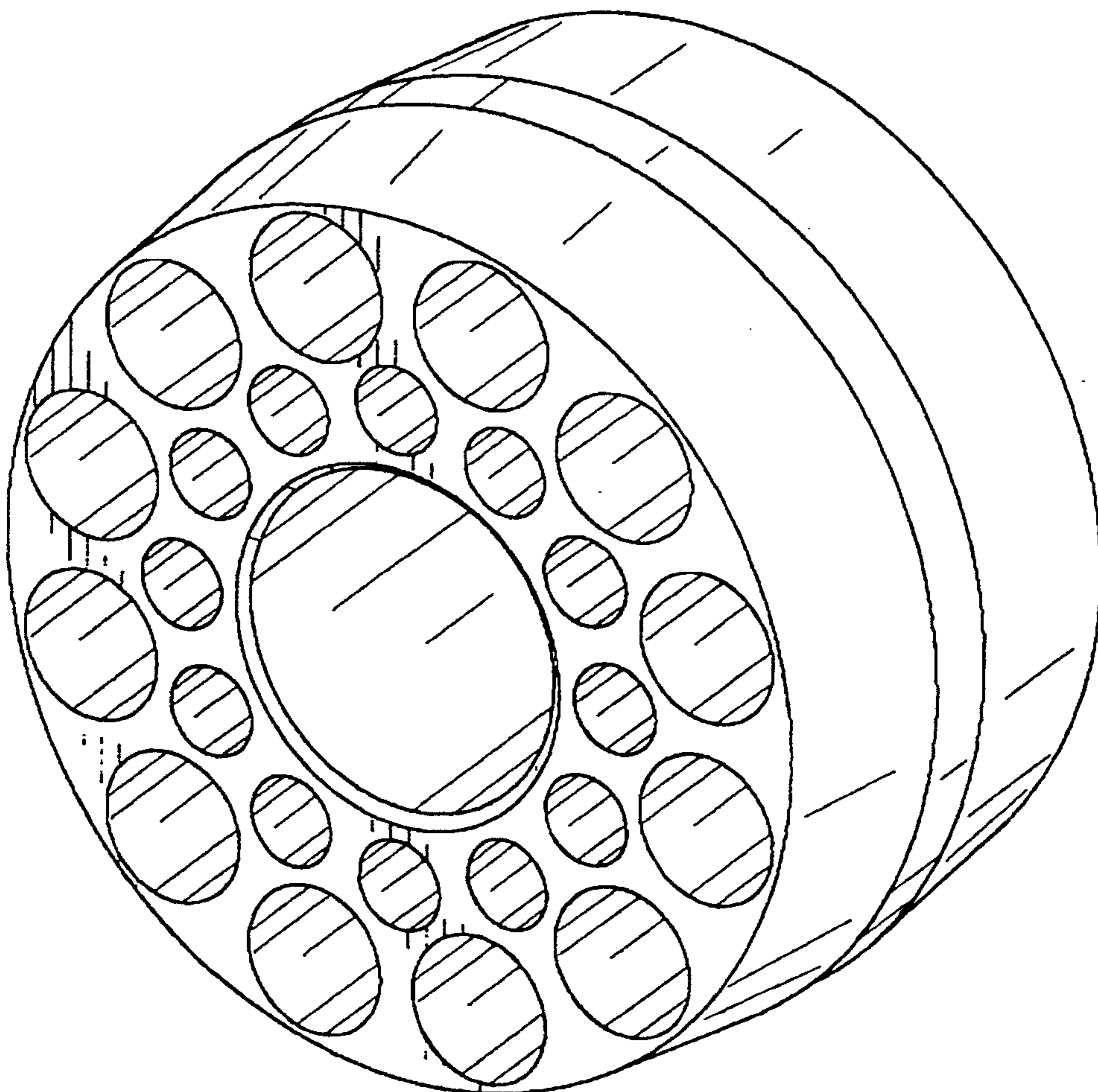
FIG. 6 is a front elevational view of a third embodiment of the shock-absorbing bumper for a boat, in which the center of the front face of the shock absorbing bumper is solid.

## [56] References Cited

### U.S. PATENT DOCUMENTS

D. 284,753	7/1986	Hedlund	.....	D12/210
D. 355,464	2/1995	Wilson et al.	.....	D12/147
5,007,609	4/1991	Bredovskis	.....	114/219

**1 Claim, 6 Drawing Sheets**



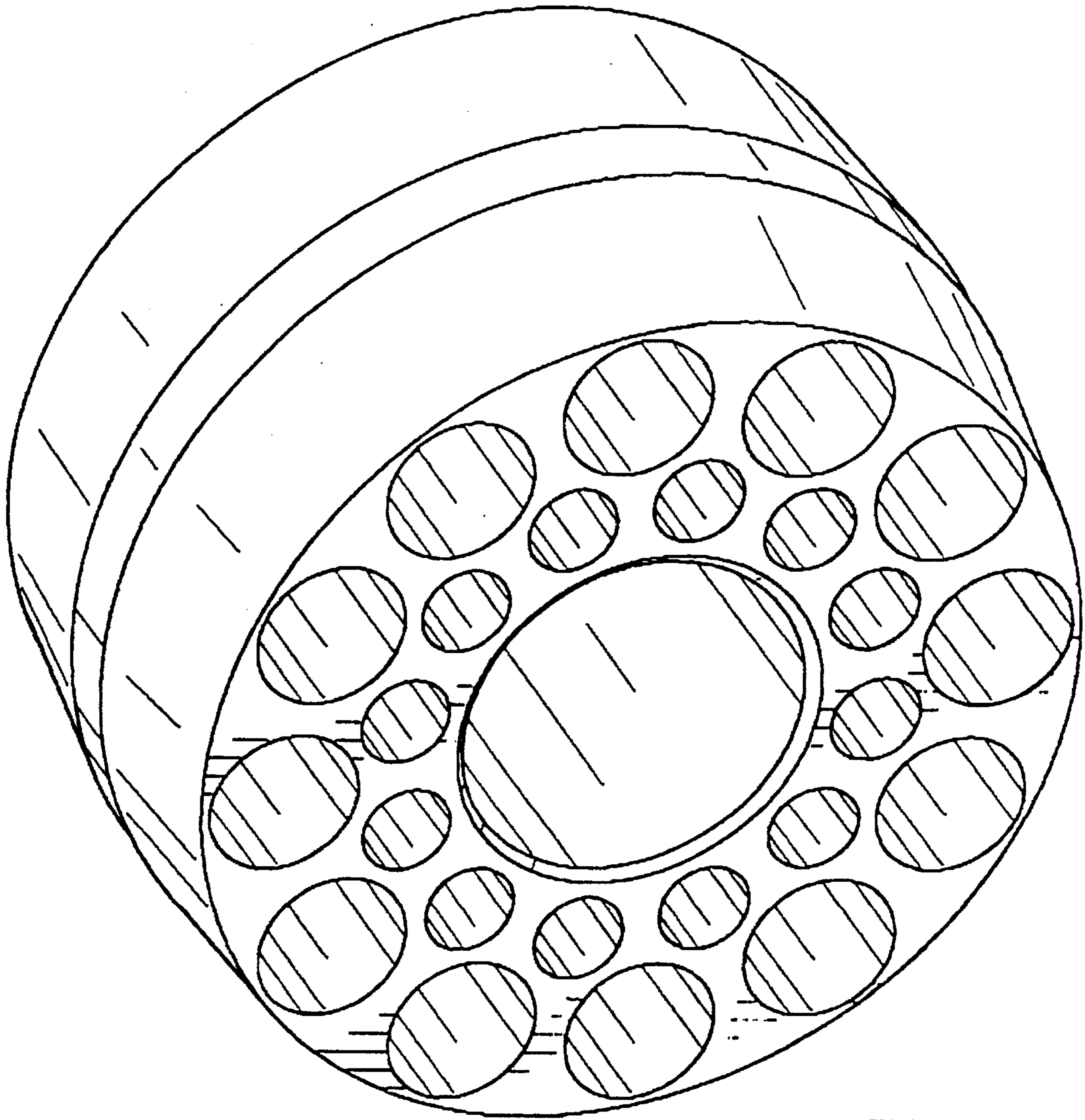


FIG. 1

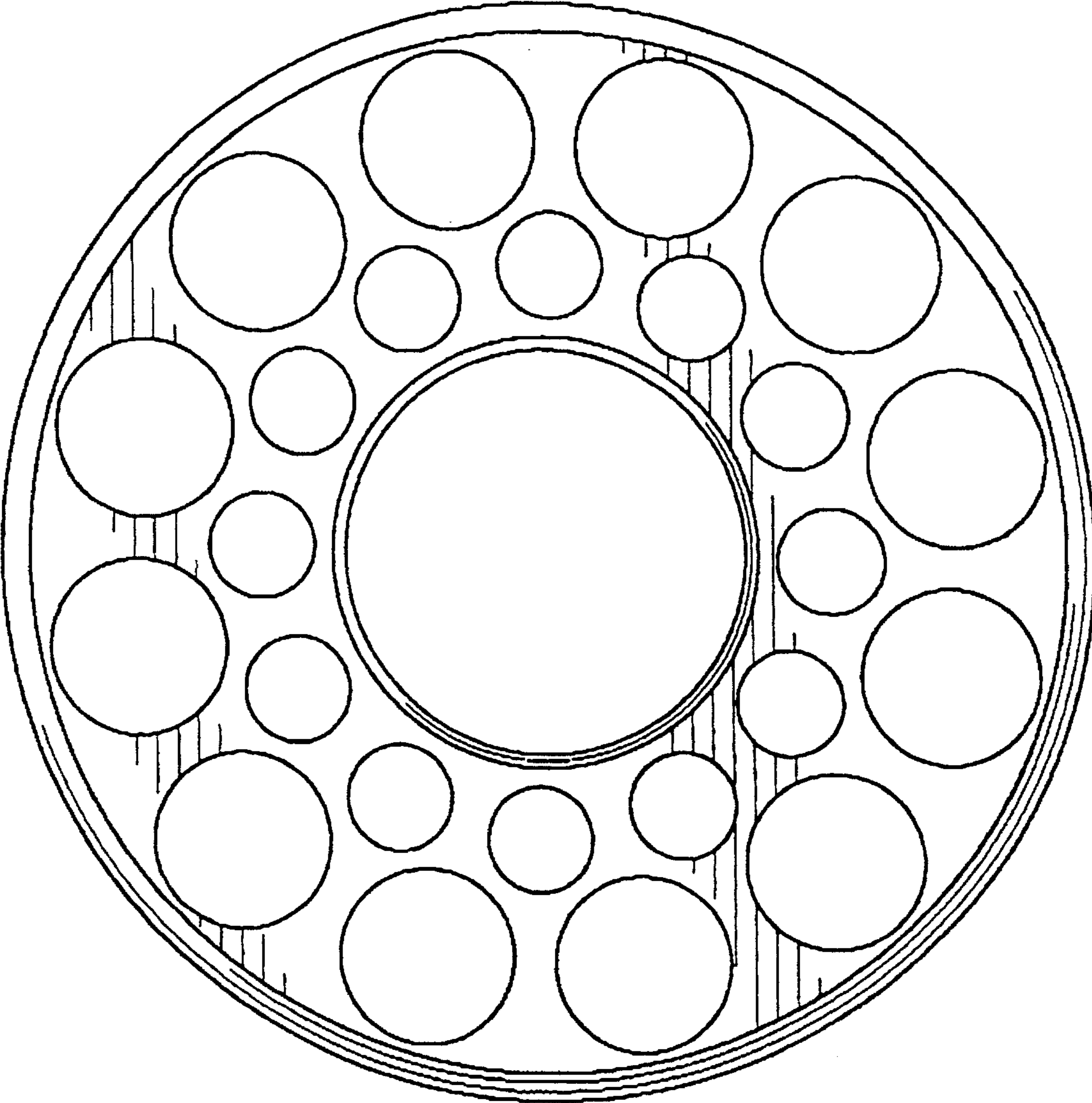


FIG. 2

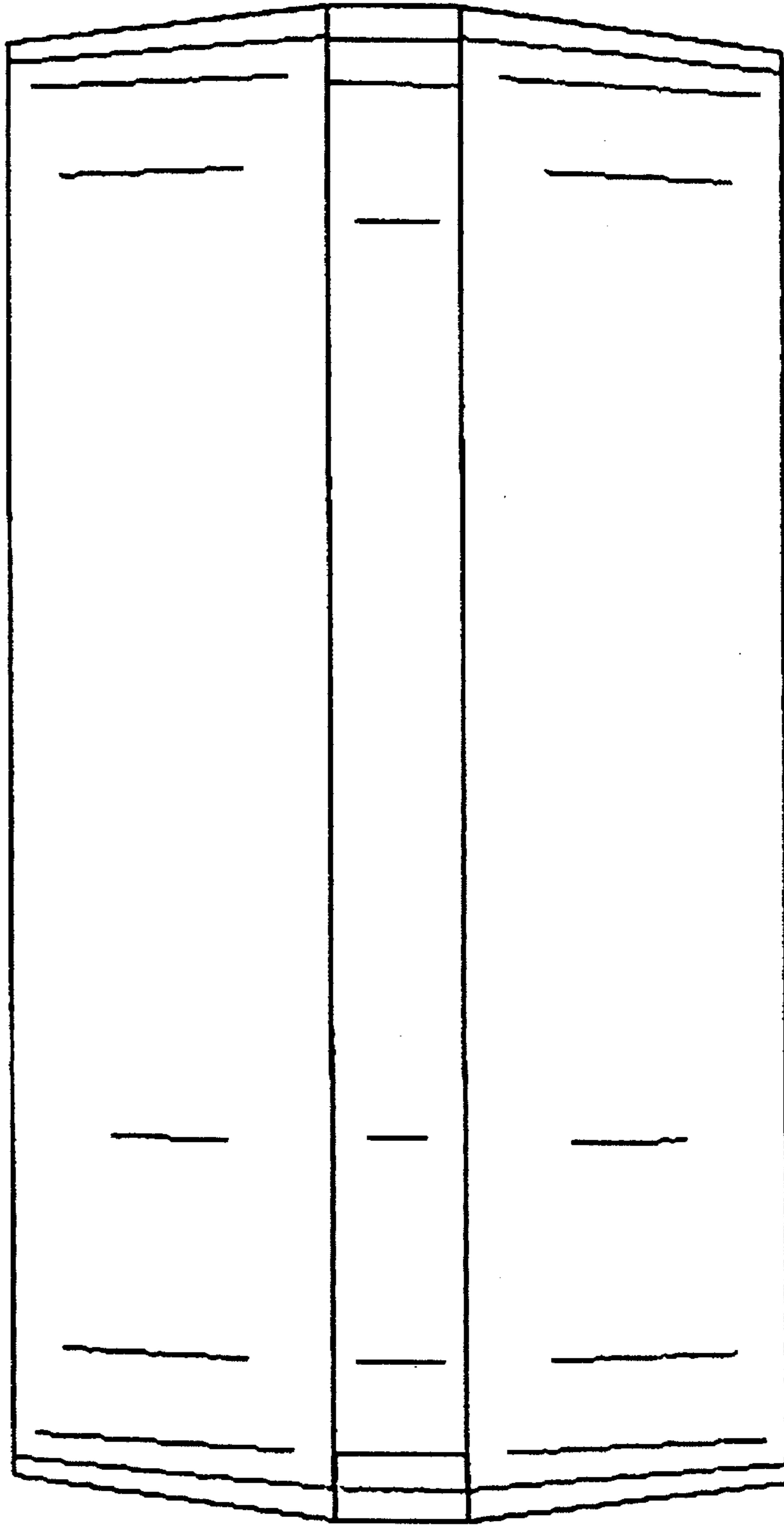


FIG. 3

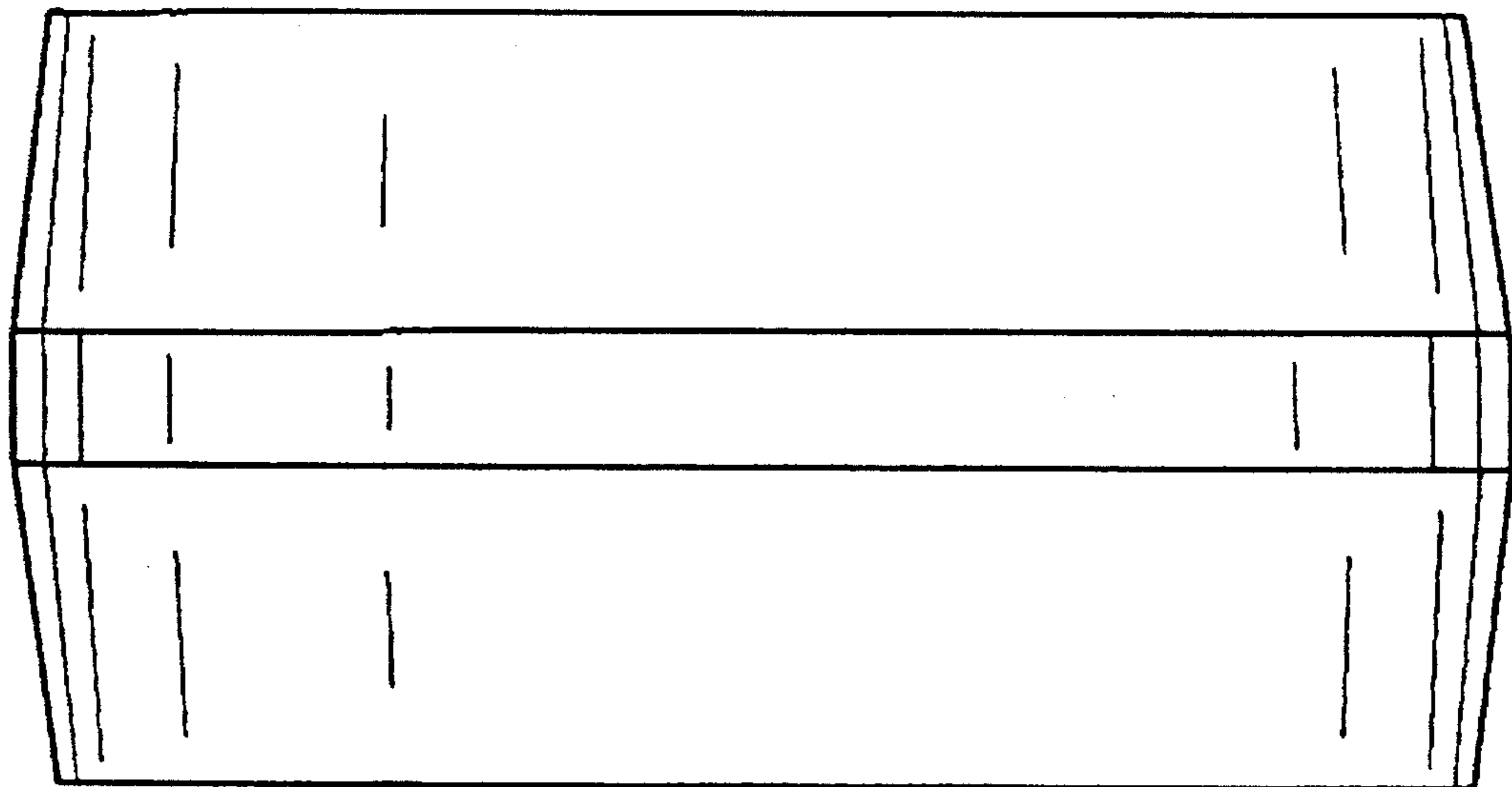


FIG. 4

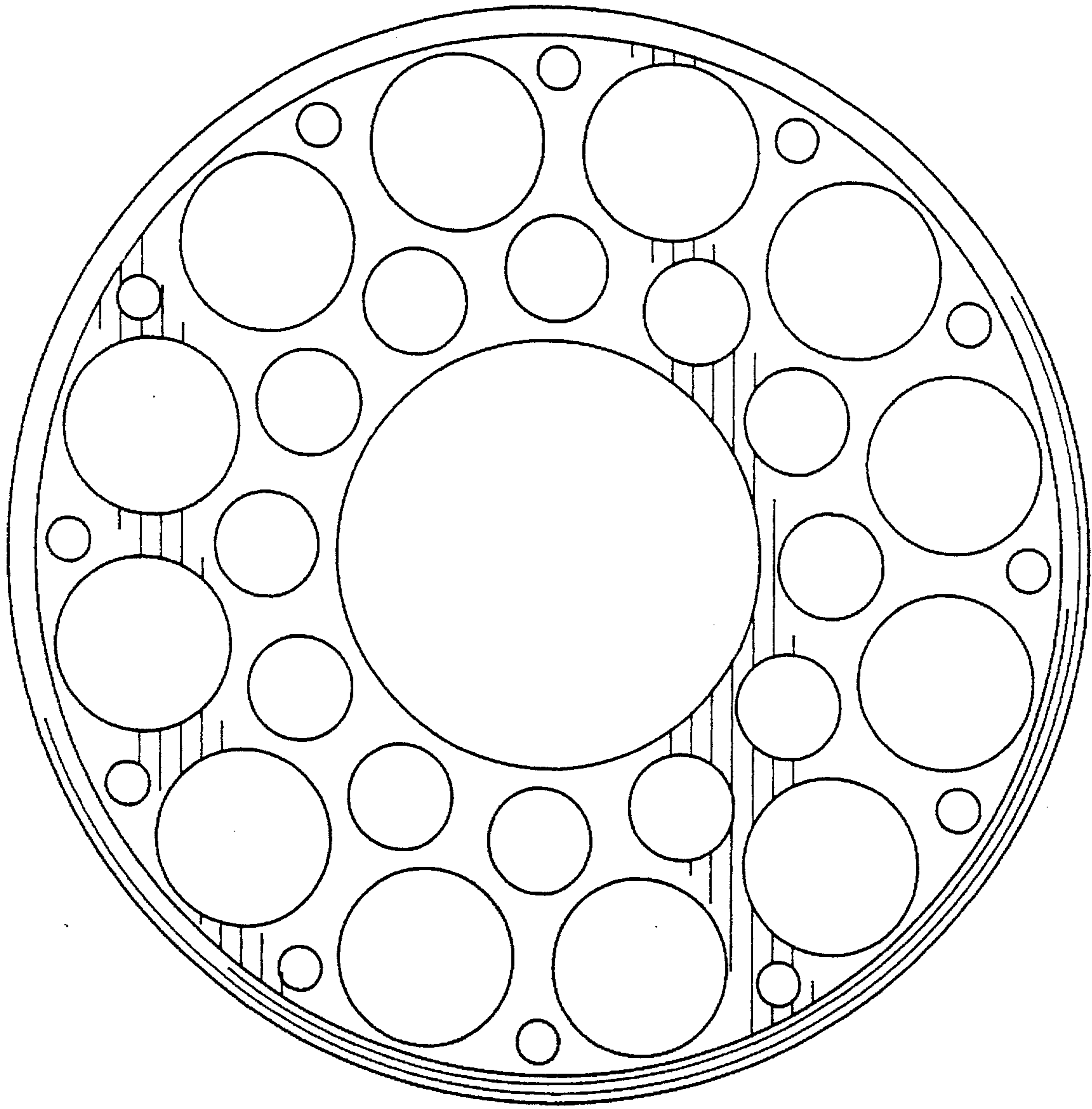


FIG. 5

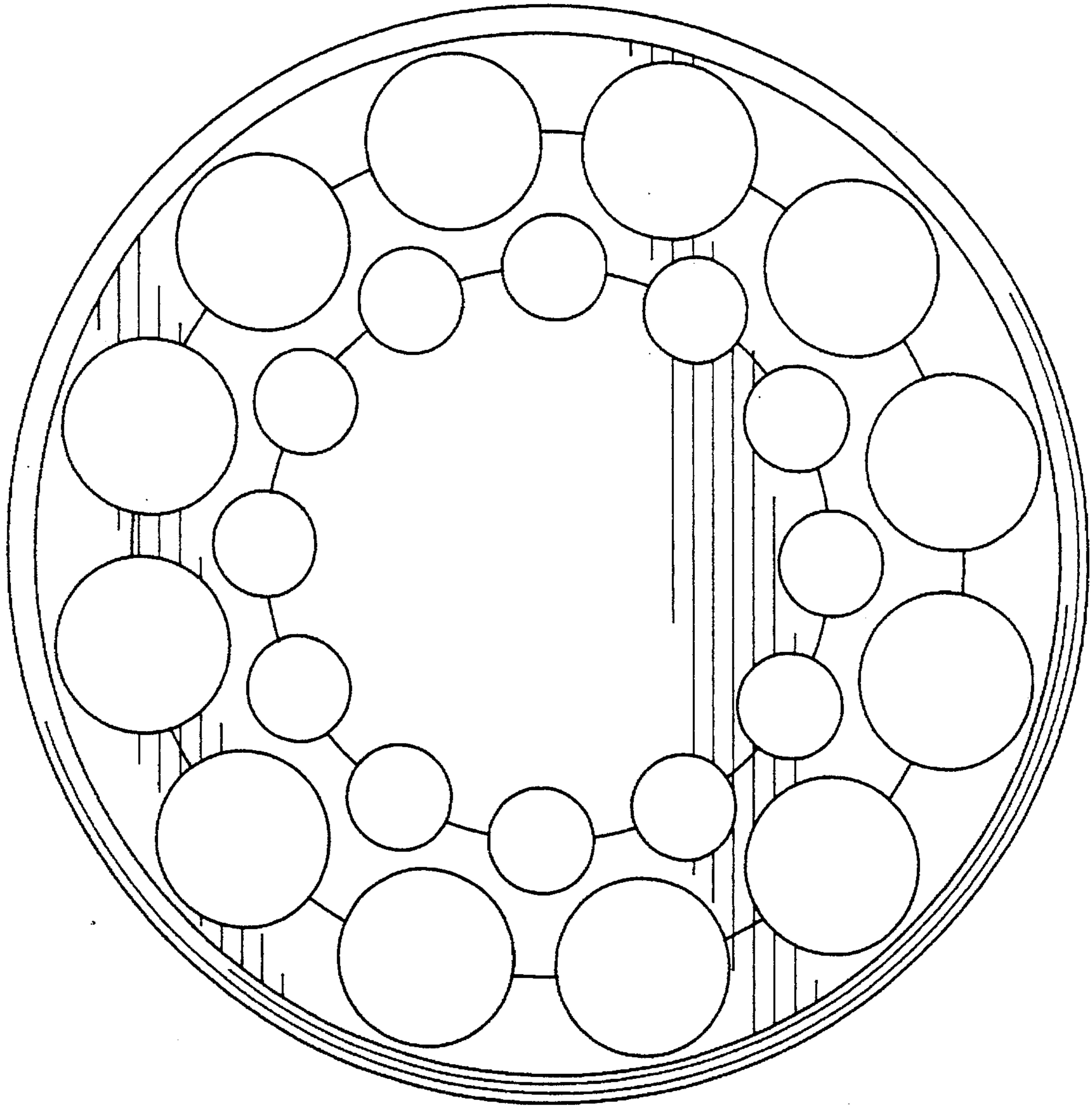


FIG. 6