



US00D374479S

United States Patent [19]

[11] Patent Number: **Des. 374,479**

Bucher et al.

[45] Date of Patent: ****Oct. 8, 1996**

[54] **WARM MIST HUMIDIFIER**

Primary Examiner—Lisa P. Lichtenstein
Attorney, Agent, or Firm—Dominik & Stein

[75] Inventors: **John C. Bucher**, Coral Springs, Fla.;
Joe Su, Taipei, Taiwan

[57] **CLAIM**

[73] Assignee: **King of Fans, Inc.**, Ft. Lauderdale, Fla.

The ornamental design for a warm mist humidifier, as shown and described.

[**] Term: **14 Years**

DESCRIPTION

[21] Appl. No.: **44,734**

FIG. 1 is a perspective view of the humidifier showing our new design;

[22] Filed: **Sep. 19, 1995**

FIG. 2 is a top plan view thereof;

[52] U.S. Cl. **D23/356; D23/358; D23/360**

FIG. 3 is a front elevational view thereof;

[58] Field of Search **D23/356-363;**
392/403-406, 394; 261/24, 30, 91; 422/120,
123

FIG. 4 is a bottom plan view thereof;

FIG. 5 is a back elevational view thereof;

FIG. 6 is a right side elevational view thereof; and,

FIG. 7 is a left side elevational view thereof.

[56] **References Cited**

The electrical cord has been shown broken away in FIGS. 2-7 to indicate indeterminate length.

U.S. PATENT DOCUMENTS

D. 282,001	12/1985	Muchenberger	D23/356
D. 335,339	5/1993	Glucksman et al.	D23/356
D. 359,552	6/1995	Chiu et al.	D23/356

1 Claim, 3 Drawing Sheets

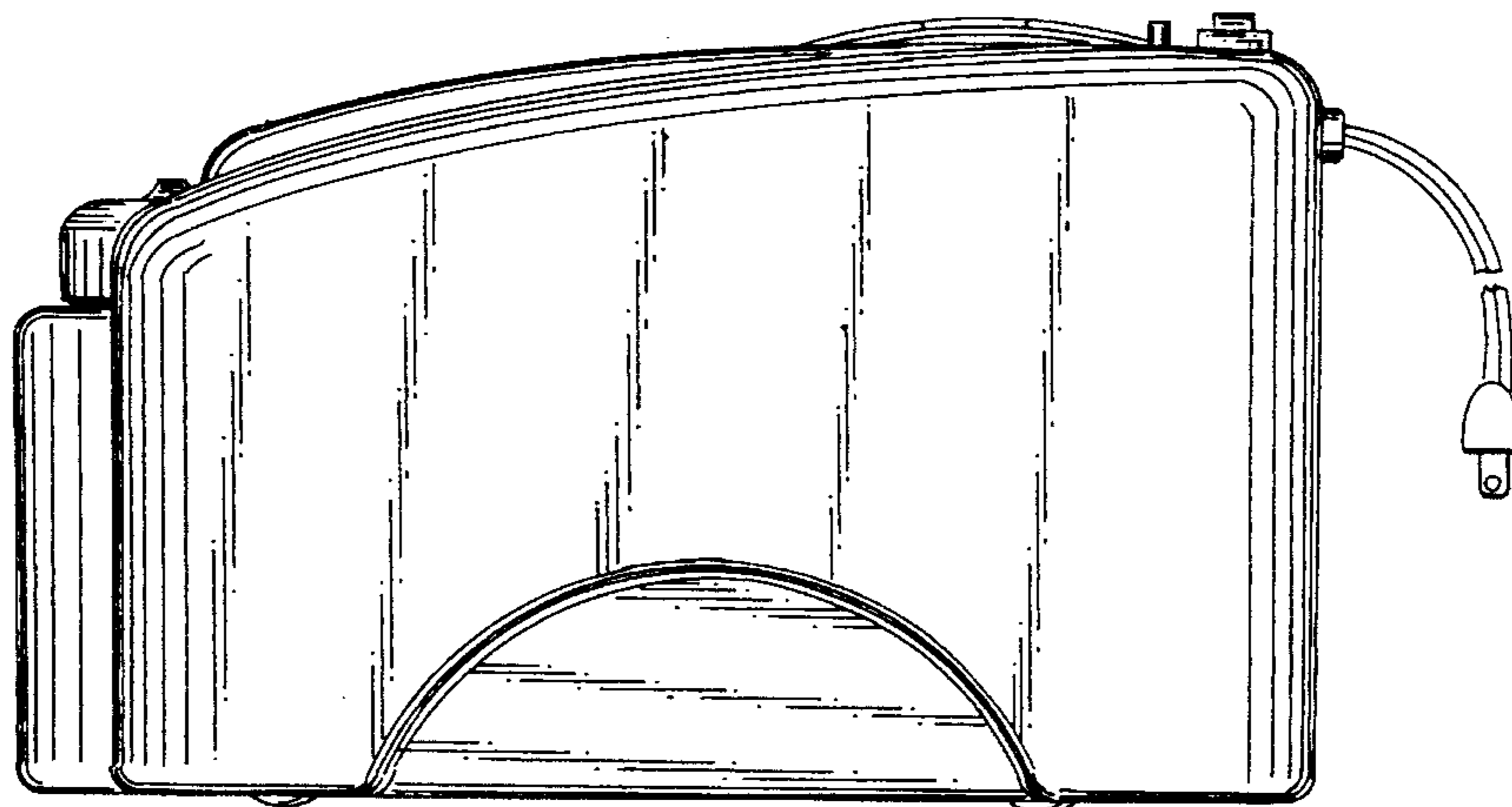
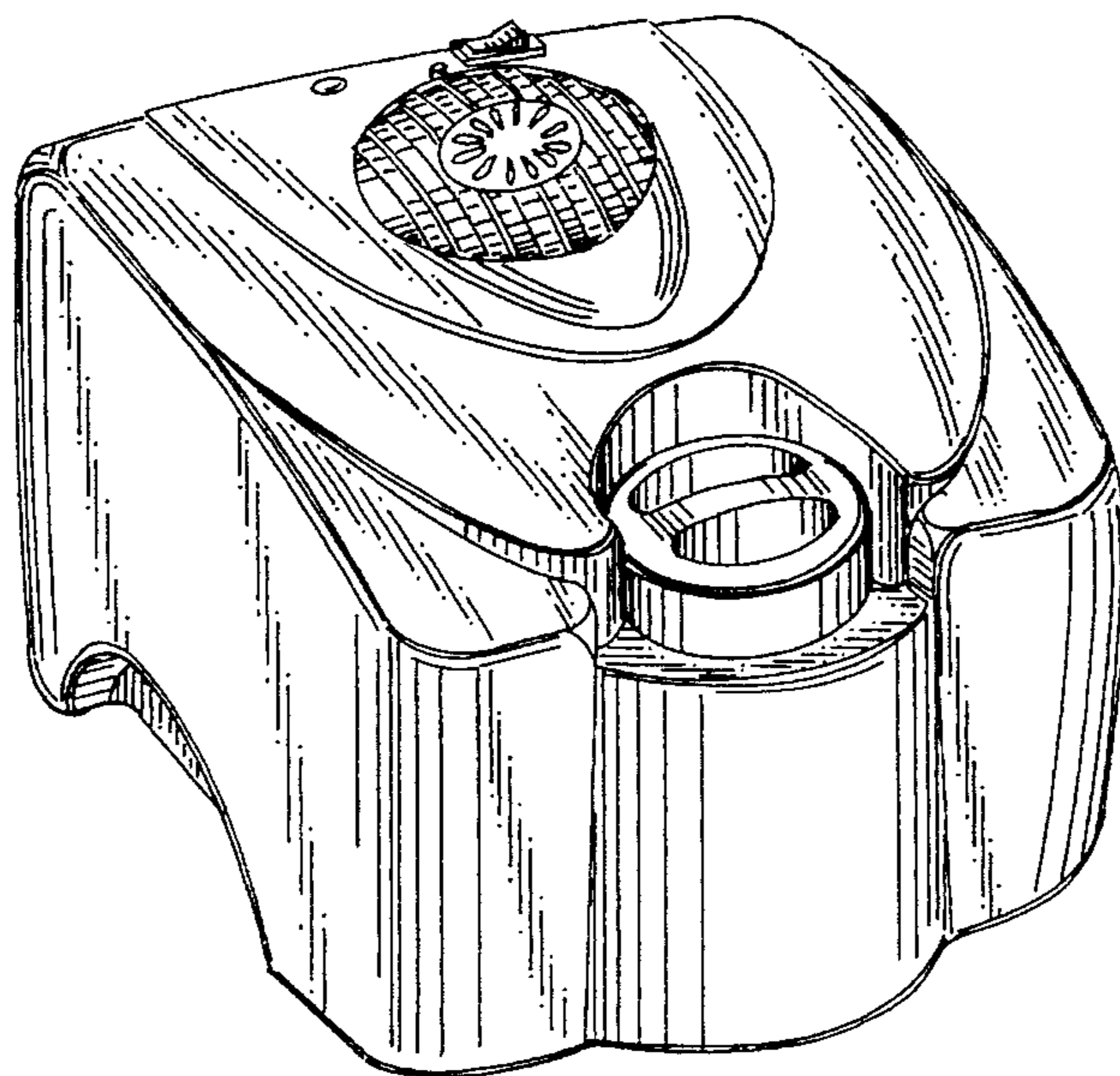


Fig. 1

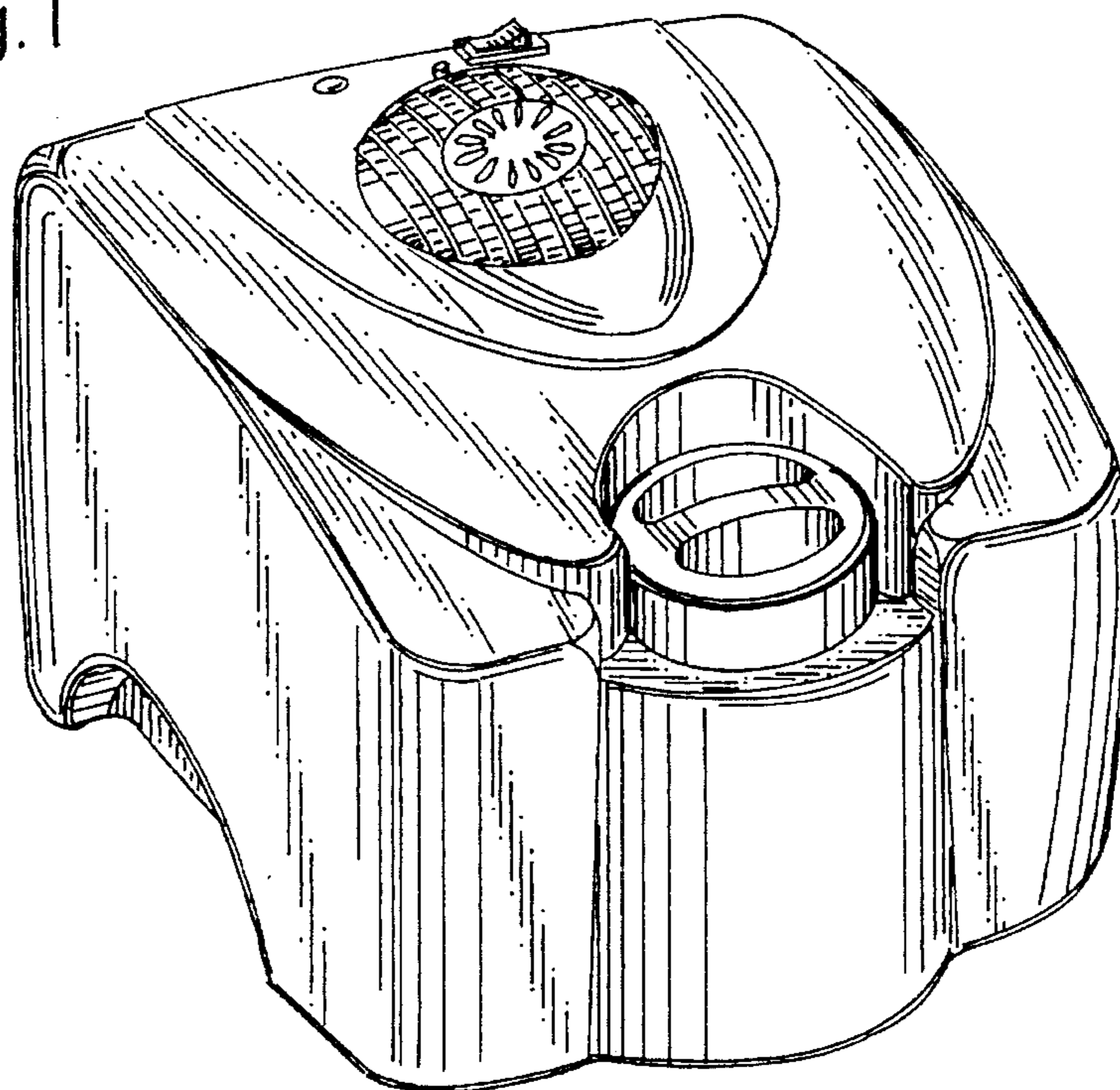


Fig. 2

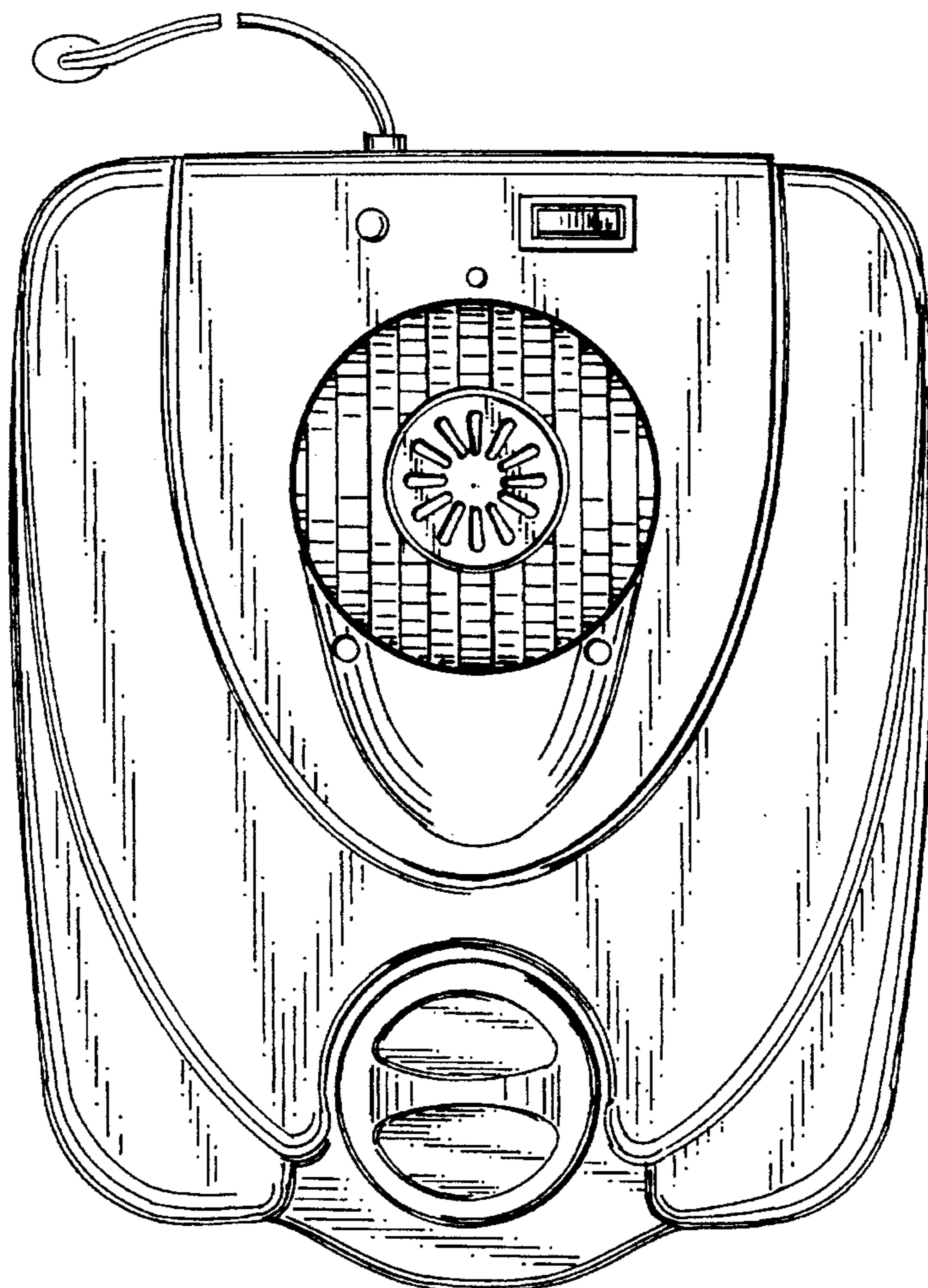


Fig. 3

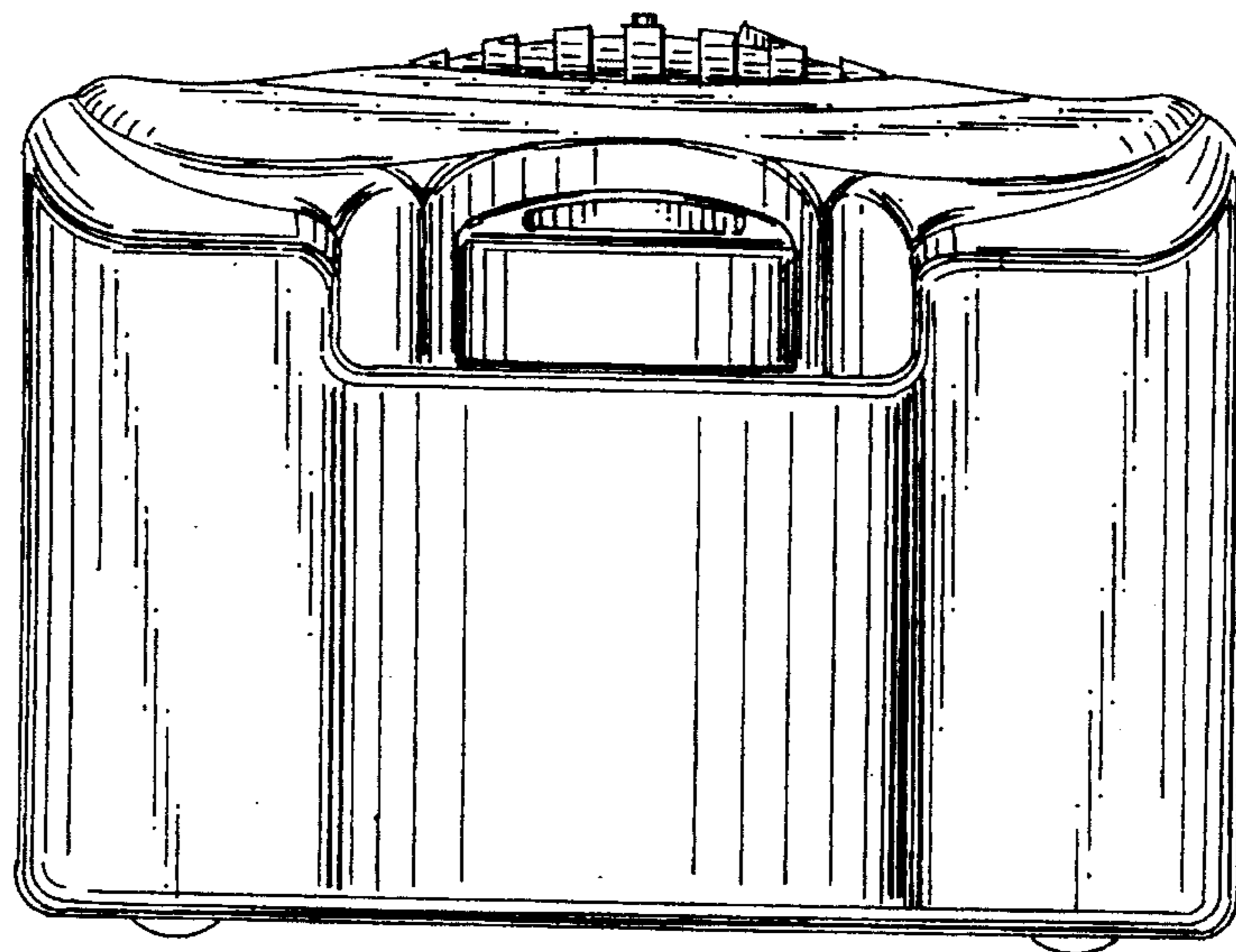


Fig. 4

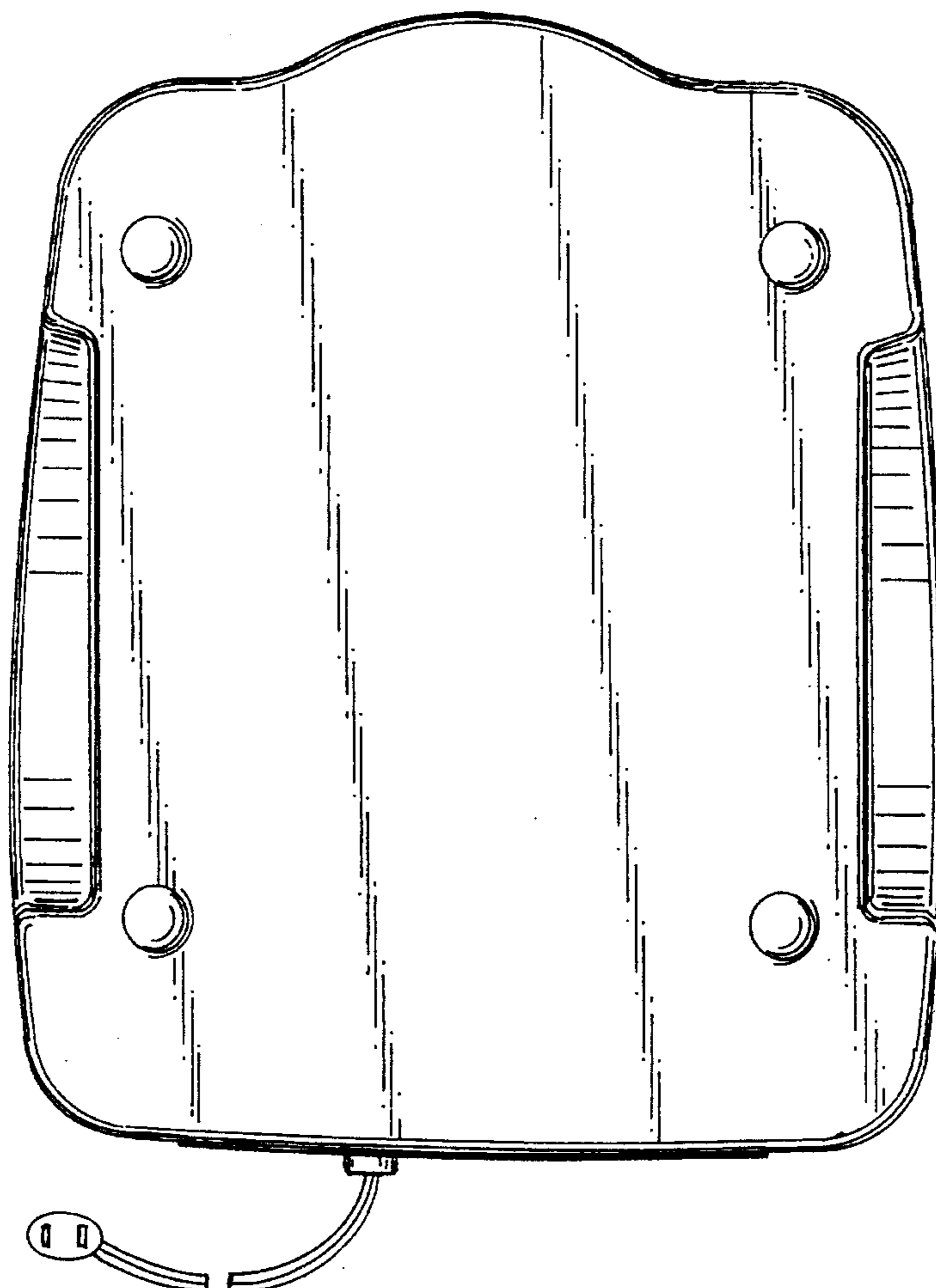


Fig. 5

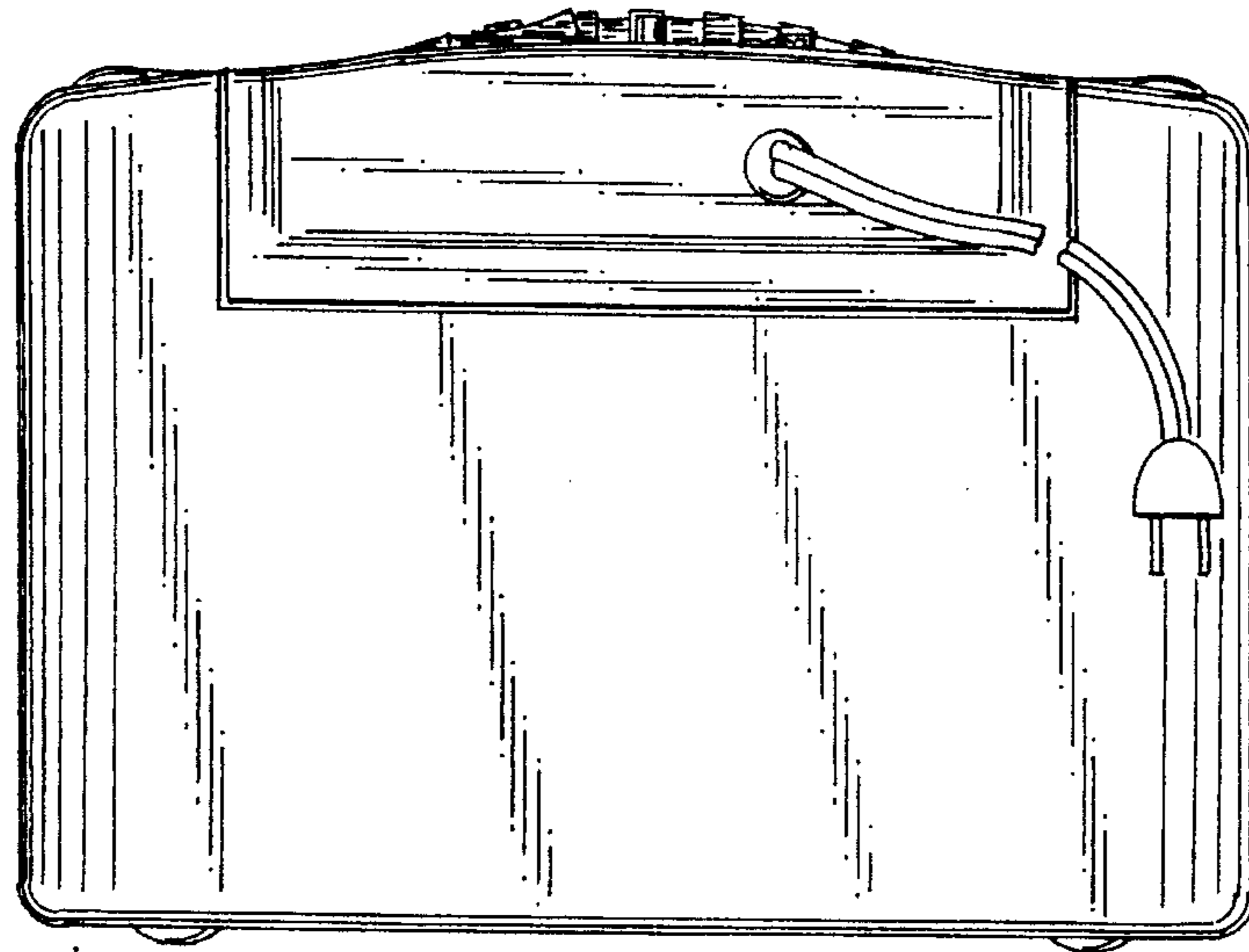


Fig. 6

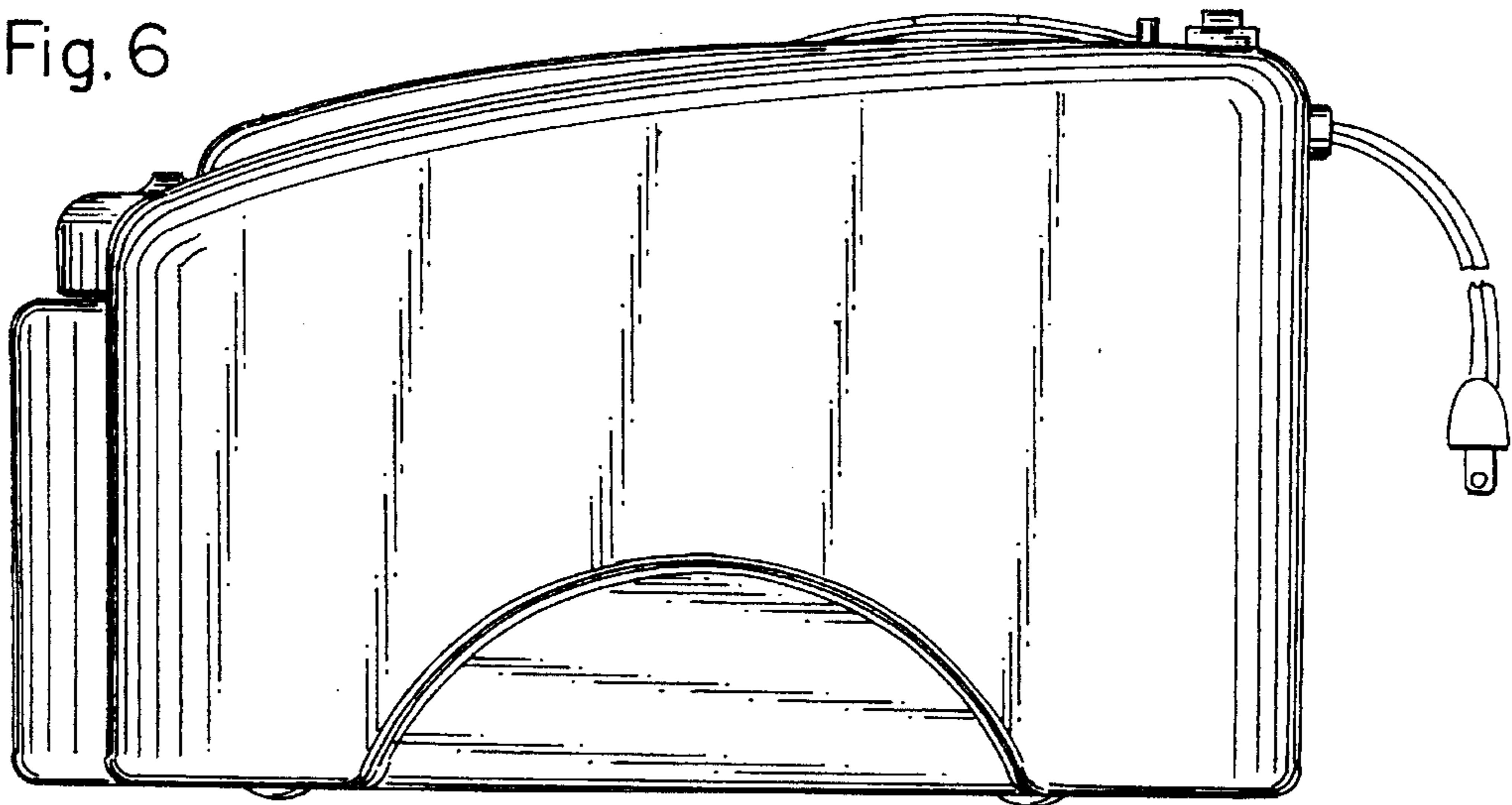


Fig. 7

