



US00D374478S

United States Patent [19]

Doughty et al.

[11] Patent Number: **Des. 374,478**

[45] Date of Patent: ****Oct. 8, 1996**

[54] FAUCET

[75] Inventors: **Frederic C. Doughty**, S. Pasadena;
Darren M. Mark, Castaic, both of Calif.

[73] Assignee: **Emhart Inc.**, Newark, Del.

[**] Term: **14 Years**

[21] Appl. No.: **44,373**

[22] Filed: **Sep. 22, 1995**

[52] U.S. Cl. **D23/242**

[58] Field of Search **D23/238-243,**
D23/250-257; D8/300, 307, 310, 312; 4/675-678;
137/801

[56] **References Cited**

U.S. PATENT DOCUMENTS

D. 265,233	6/1982	Ronvik .	
D. 273,512	4/1984	Arnolds	D23/242
D. 276,259	11/1984	Miller .	
D. 279,403	6/1985	Doman .	
D. 287,270	12/1986	Yost .	
D. 290,494	6/1987	Dragos .	
D. 291,236	8/1987	Delepine	D23/242
D. 295,551	5/1988	Yost .	
D. 323,375	1/1992	Razamov	D23/242

D. 329,083	9/1992	Dannenberg .	
D. 350,390	9/1994	Bollenbacher .	
D. 352,095	11/1994	Bollenbacher .	
D. 364,215	11/1995	Starck	D23/242

Primary Examiner—Louis S. Zarfes
Assistant Examiner—Eric Watterson
Attorney, Agent, or Firm—J. Bruce Hoofnagle

[57] **CLAIM**

The ornamental design for faucet, as shown and described.

DESCRIPTION

FIG. 1 is a perspective view of our new design of a faucet; FIG. 2 is a front elevational view of our new design of the faucet; FIG. 3 is a rear elevational view of our new design of the faucet; FIG. 4 is a right side elevational view of our new design of the faucet, a left side elevational view thereof being a mirror image of the right side elevational thereof; FIG. 5 is a top plan view of our new design of the faucet; and, FIG. 6 is a bottom plan view of our new design of the faucet. The broken line showing is for illustrative purposes only and forms no part of the claimed design.

1 Claim, 5 Drawing Sheets

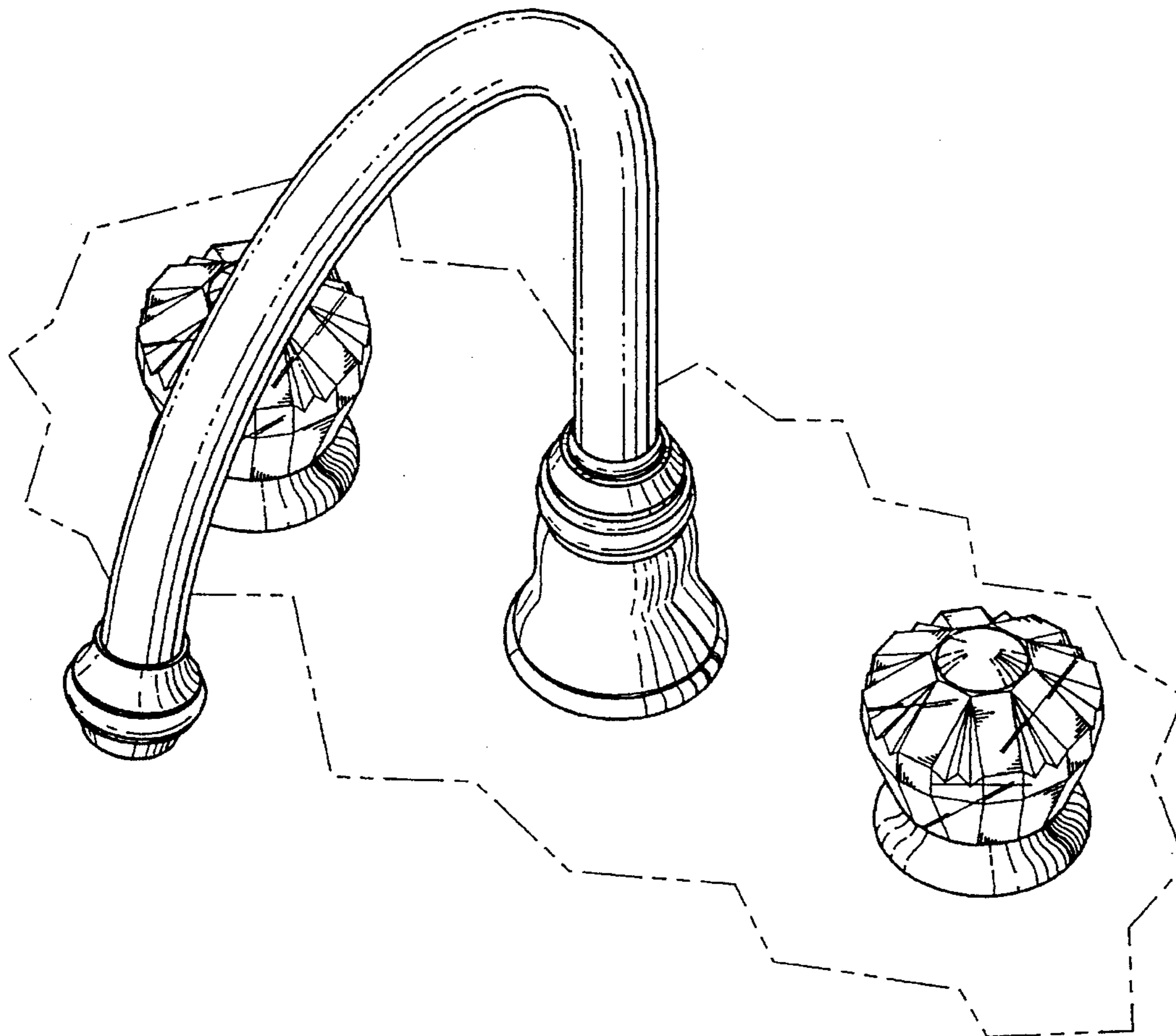


FIG. 1

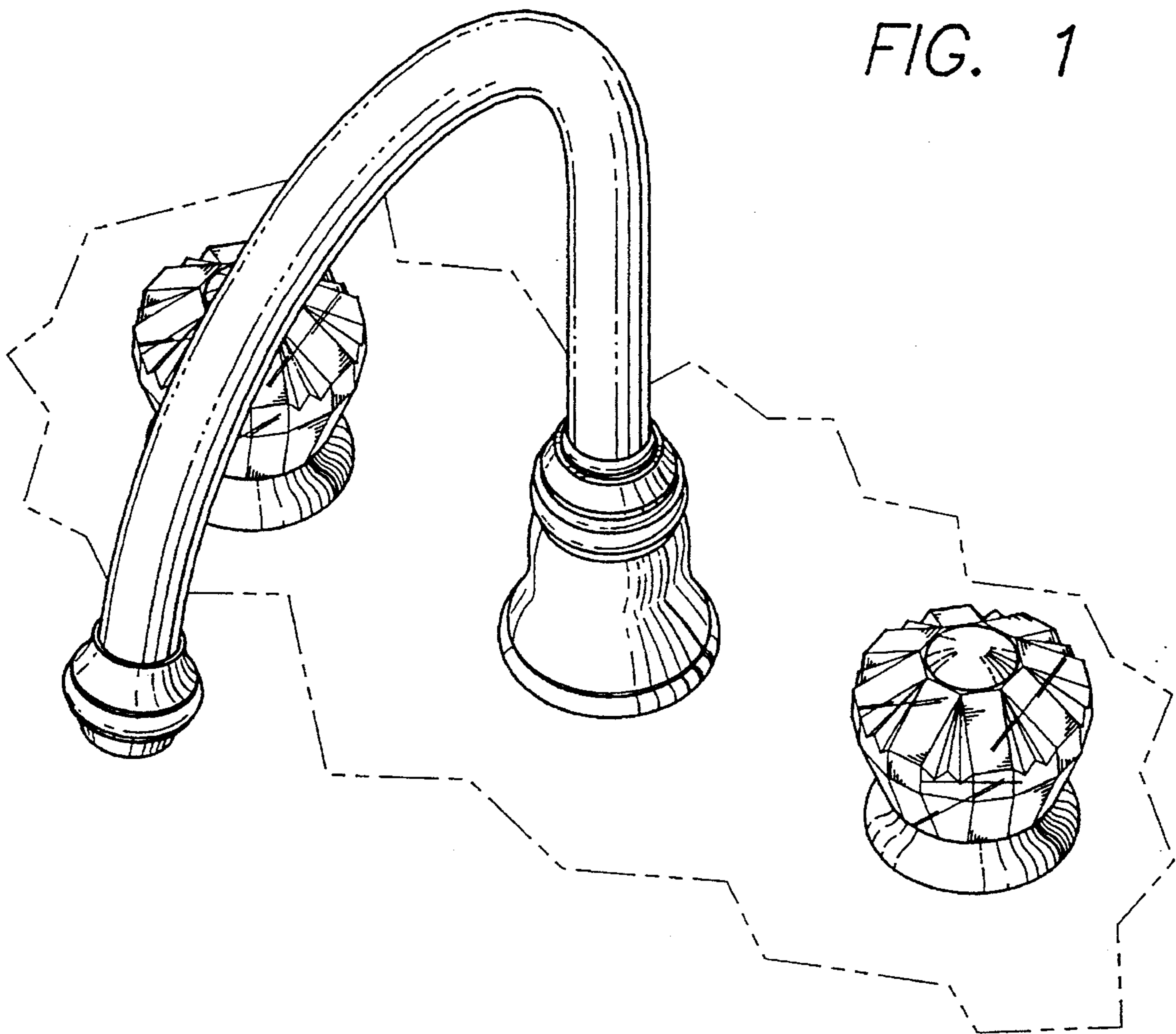


FIG. 2

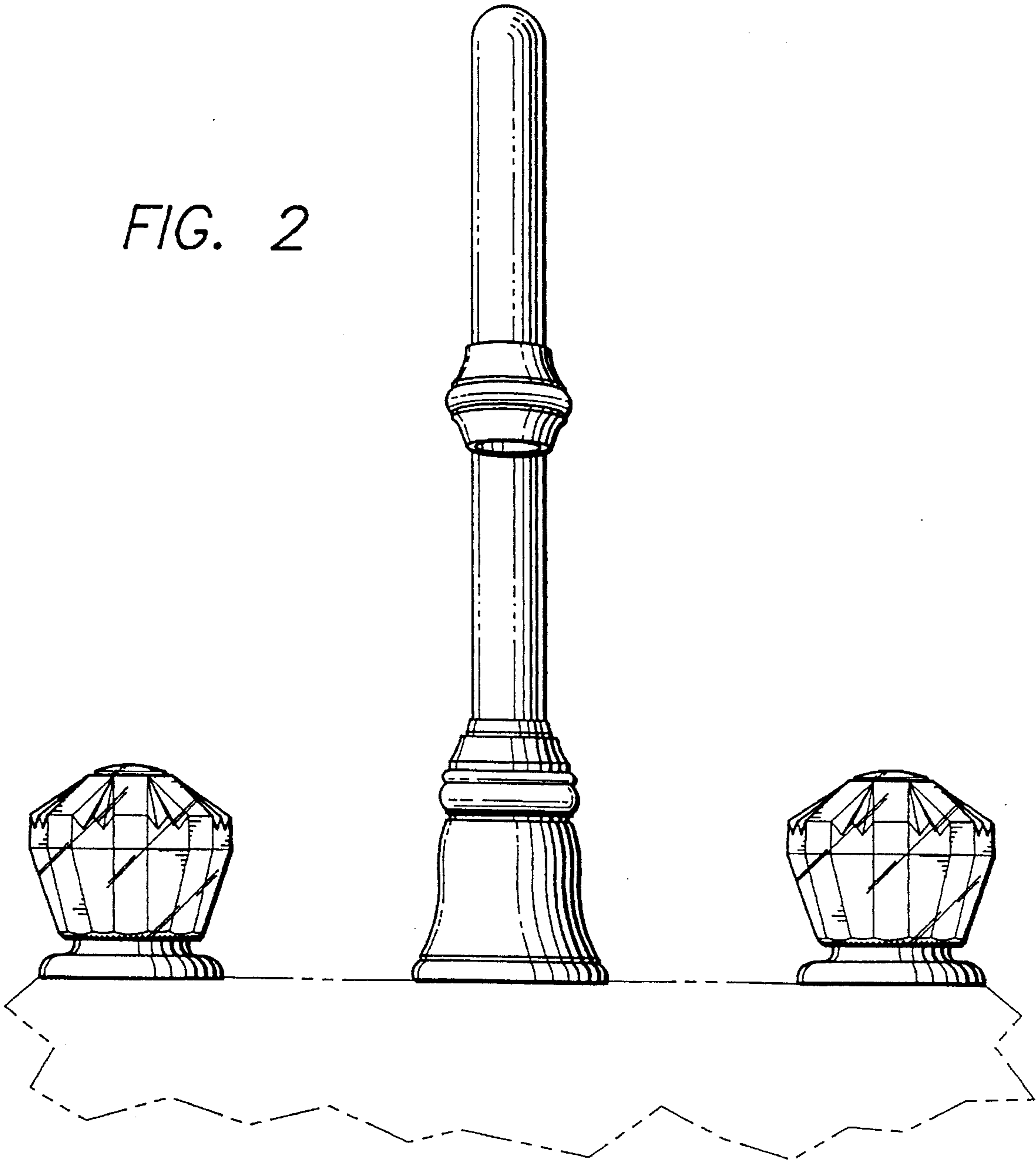
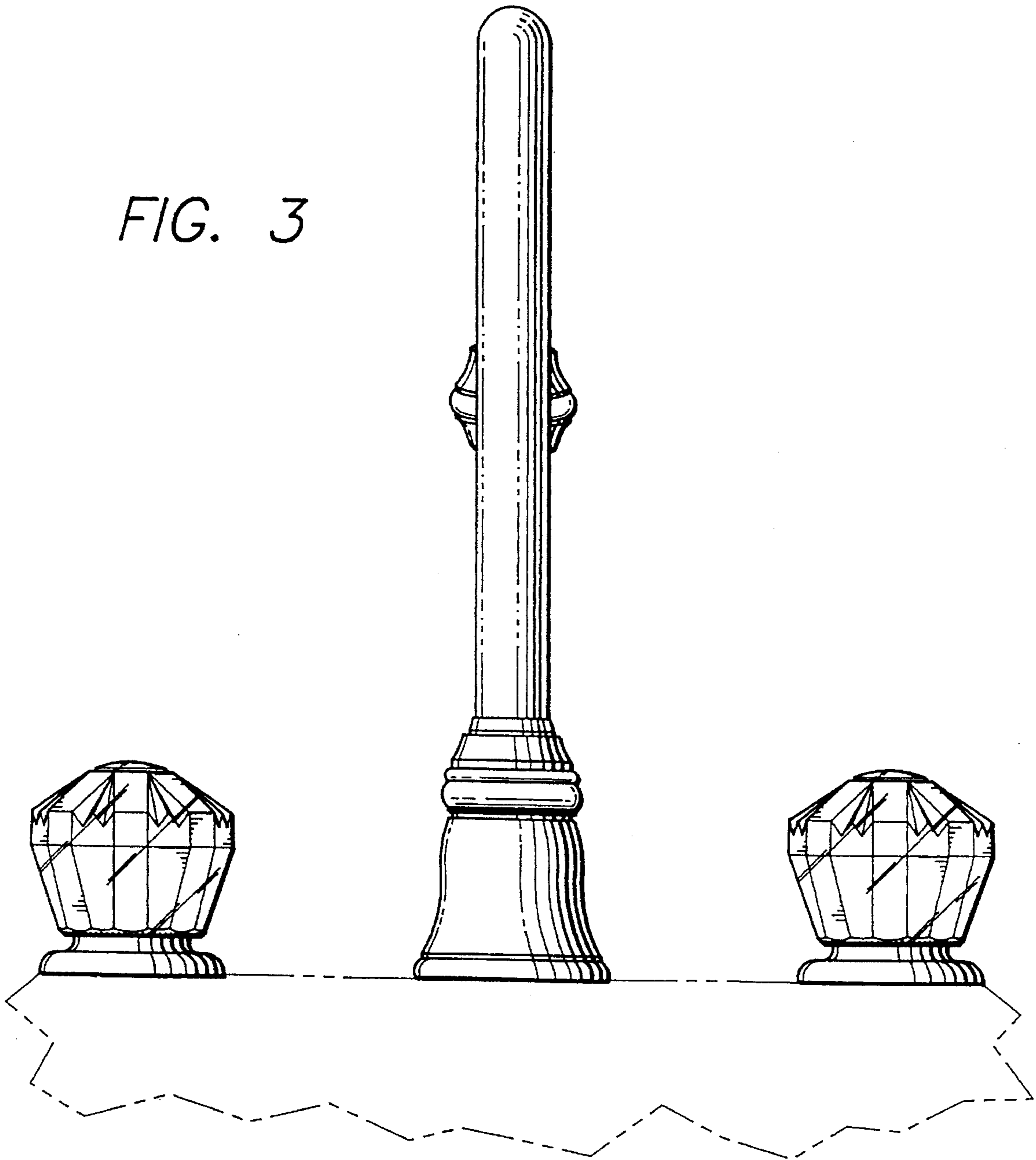


FIG. 3



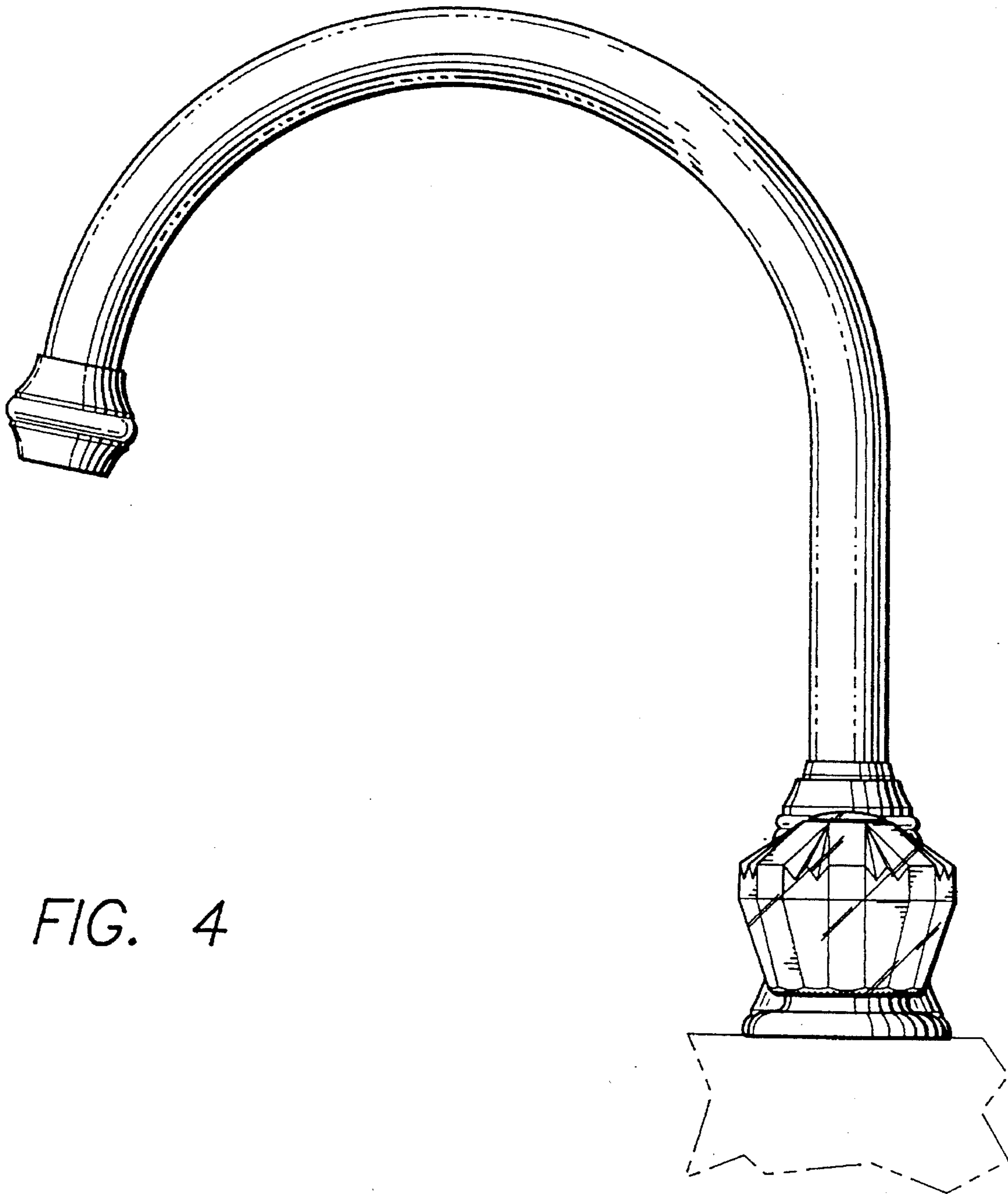


FIG. 4

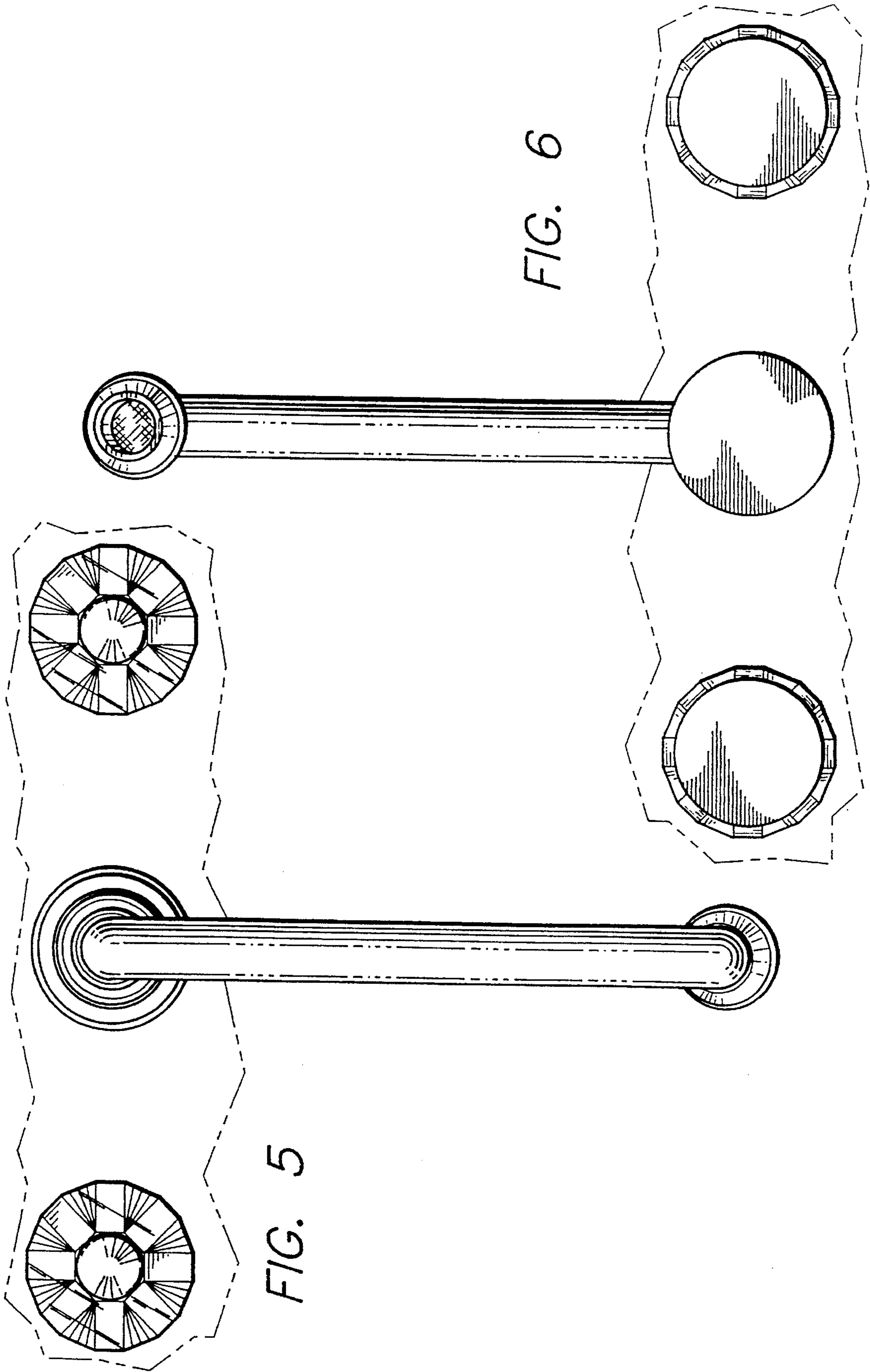


FIG. 5

FIG. 6