



US00D374477S

United States Patent [19]

Dow et al.

[11] Patent Number: **Des. 374,477**

[45] Date of Patent: ****Oct. 8, 1996**

[54] **SHOWER HEAD**

[76] Inventors: **Ann M. Dow**, 648 Saylor, Elmhurst, Ill. 60126; **Joseph E. Ford**, 535 Abbeywood Dr., Cary, Ill. 60013; **Donald N. Jursich**, 6059 W. Waveland Ave., Chicago, Ill. 60634; **Raymond Chan**, 3/F Waylee Ind. Center, 38 Tsuen King Circuit, Tsuen wan, Hong Kong

[**] Term: **14 Years**

[21] Appl. No.: **33,462**

[22] Filed: **Jan. 13, 1995**

[52] U.S. Cl. **D23/223**

[58] Field of Search D23/213, 223-230; 239/394, 415, 460, 462, 525-528

[56] **References Cited**

U.S. PATENT DOCUMENTS

D. 295,437 4/1988 Fabian D23/223
D. 339,627 9/1993 Klose D23/223

D. 348,720 7/1994 Haug et al. D23/223
D. 349,947 8/1994 Hing-Wah D23/223
4,674,687 6/1987 Smith et al. 239/525

Primary Examiner—Susan J. Lucas
Assistant Examiner—Robin V. Taylor
Attorney, Agent, or Firm—Michael J. Kline

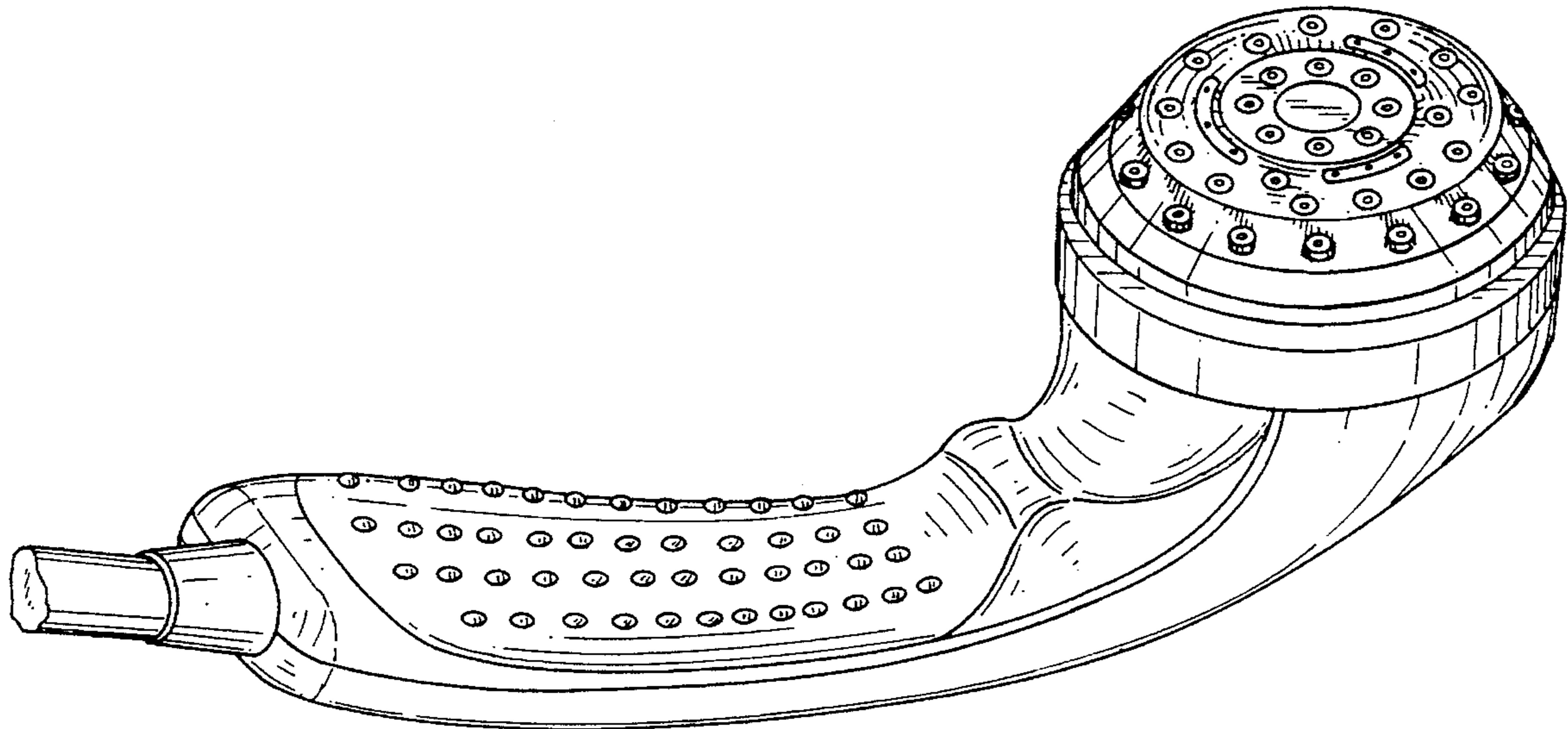
[57] **CLAIM**

The ornamental design for a shower head, as shown and described.

DESCRIPTION

FIG. 1 is a perspective view of a shower head showing our new design;
FIG. 2 is a front elevational view thereof;
FIG. 3 is a rear elevational view thereof;
FIG. 4 is a top plan view thereof;
FIG. 5 is a bottom plan view thereof;
FIG. 6 is a left elevational view thereof; and,
FIG. 7 is a right elevational view thereof.
The hose is shown broken away for ease of illustration.

1 Claim, 5 Drawing Sheets



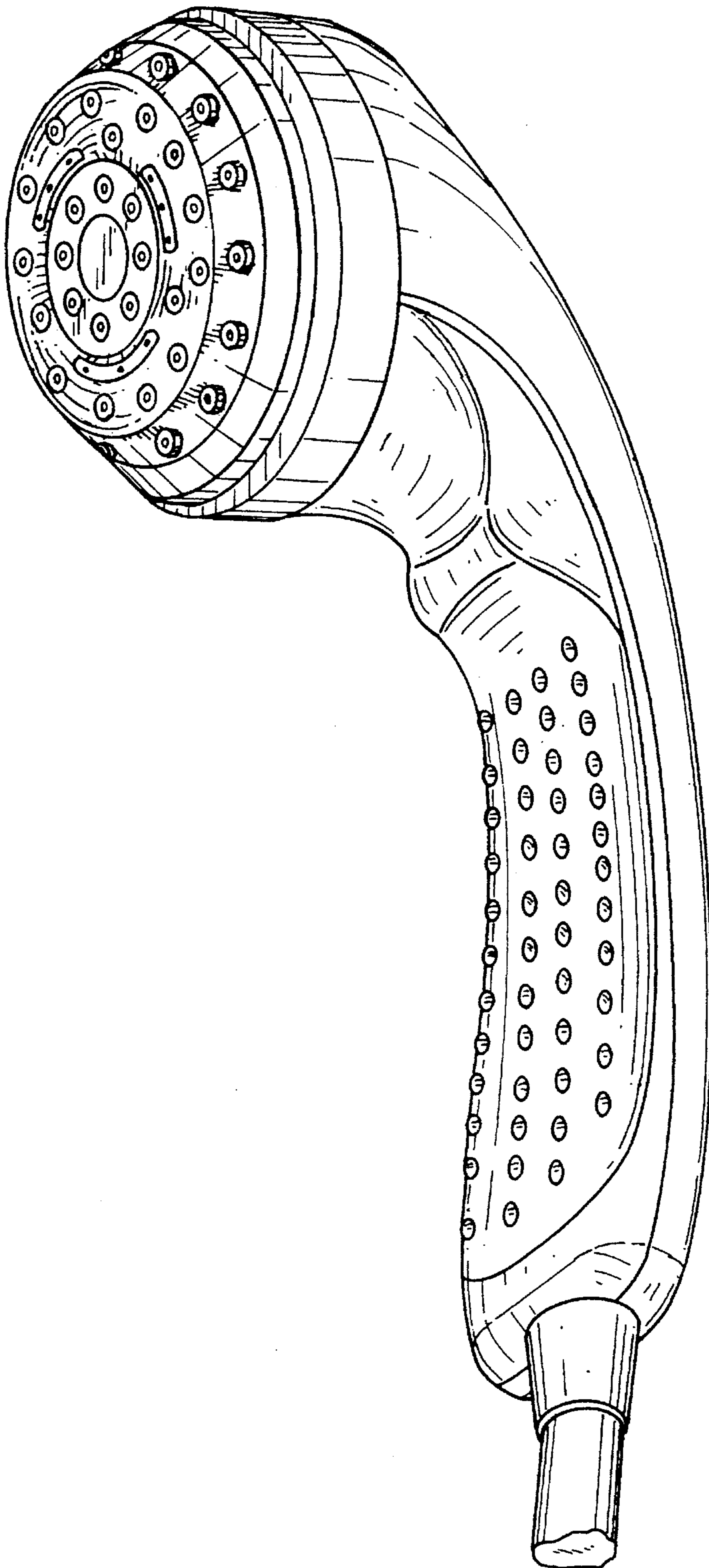


FIG. 1

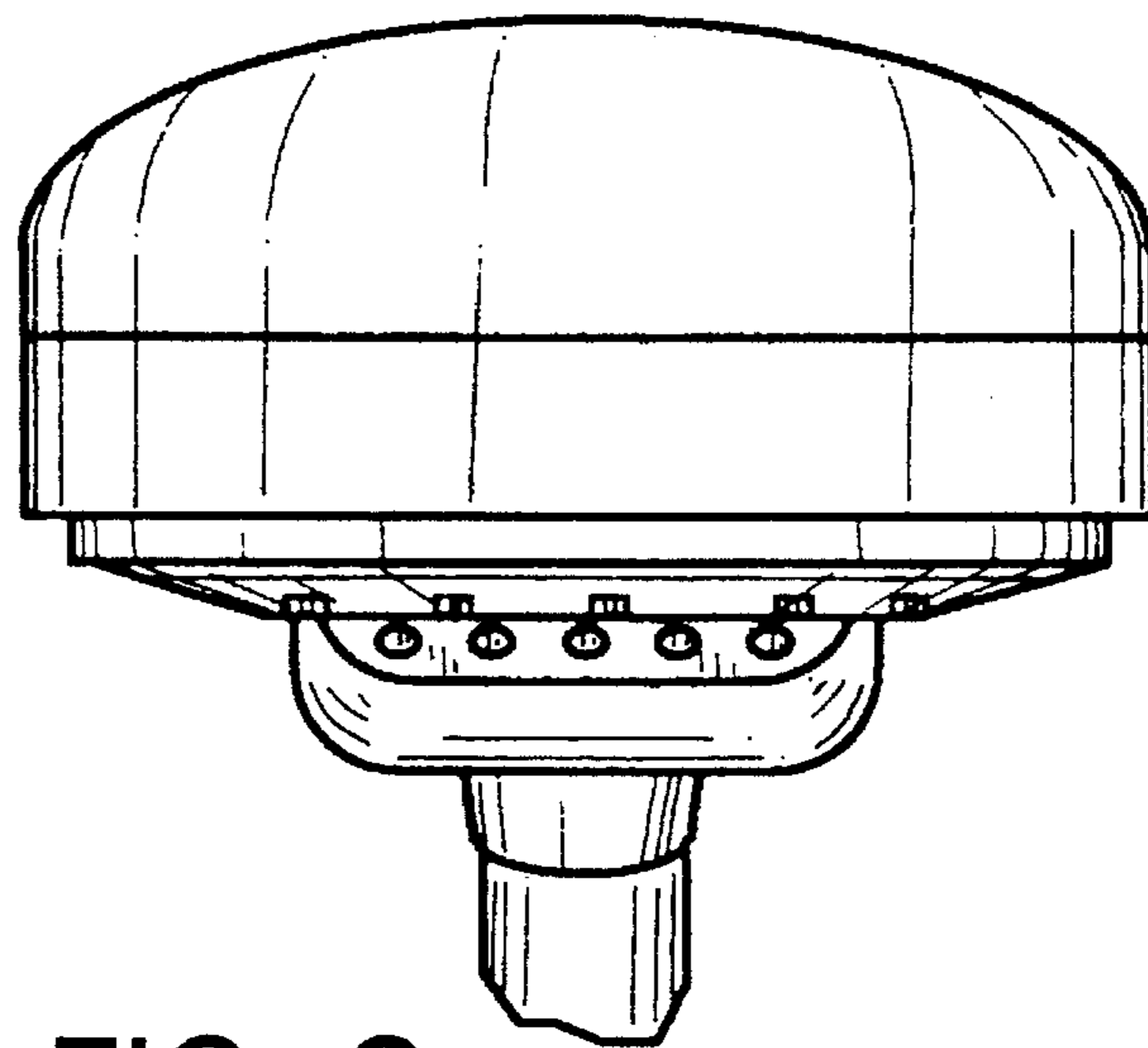


FIG. 2

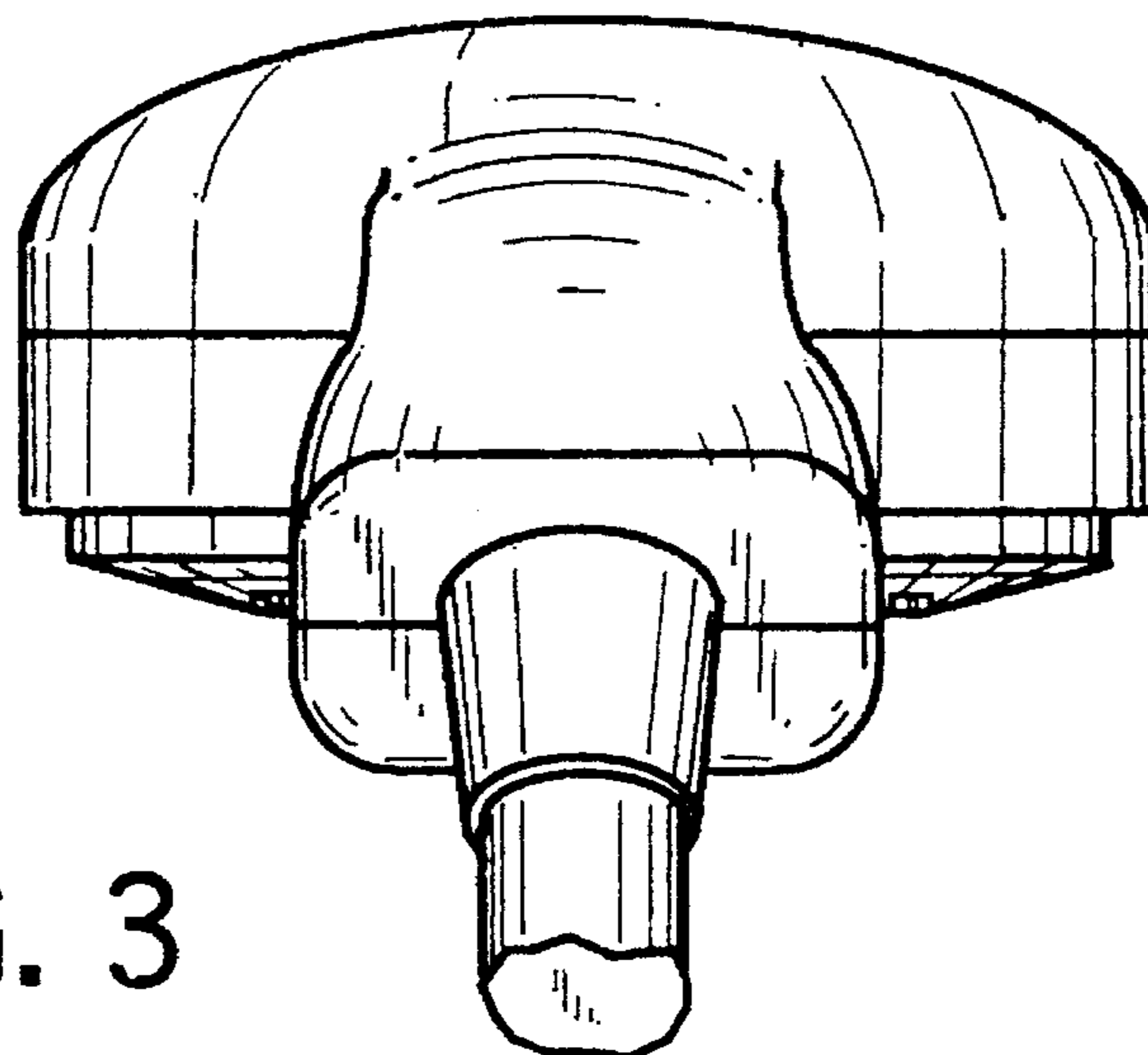


FIG. 3

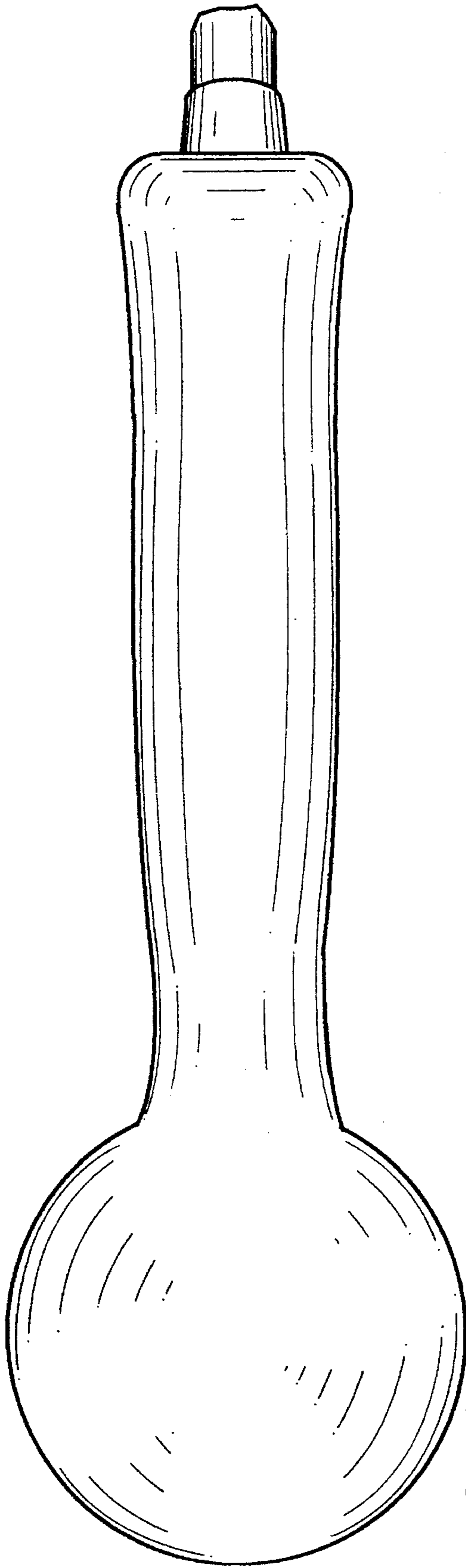


FIG. 4

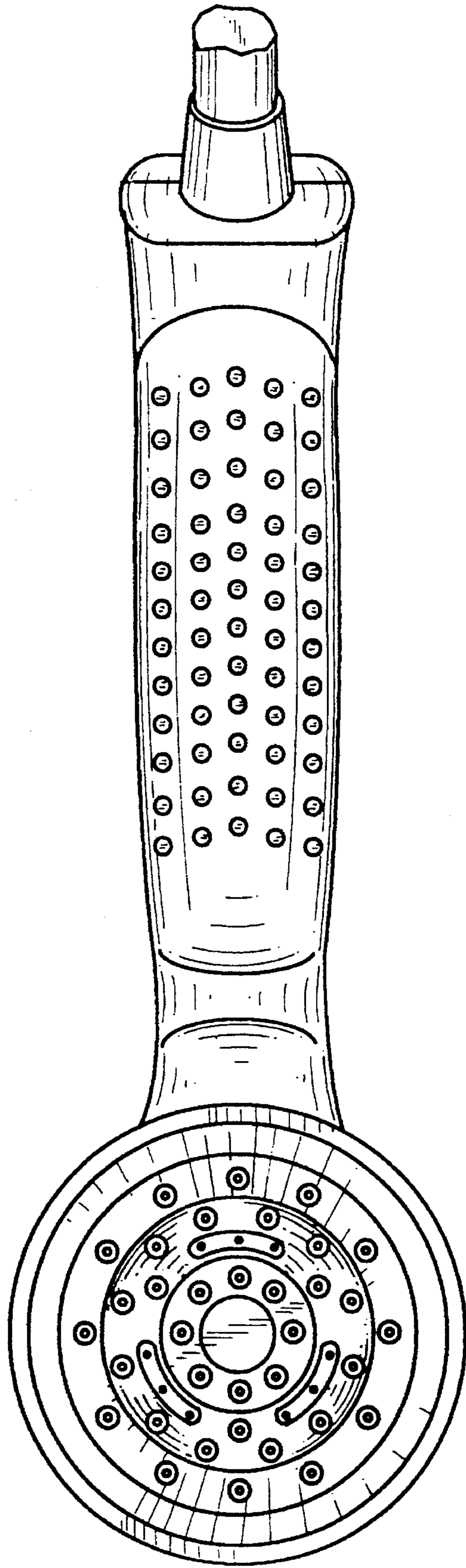


FIG. 5

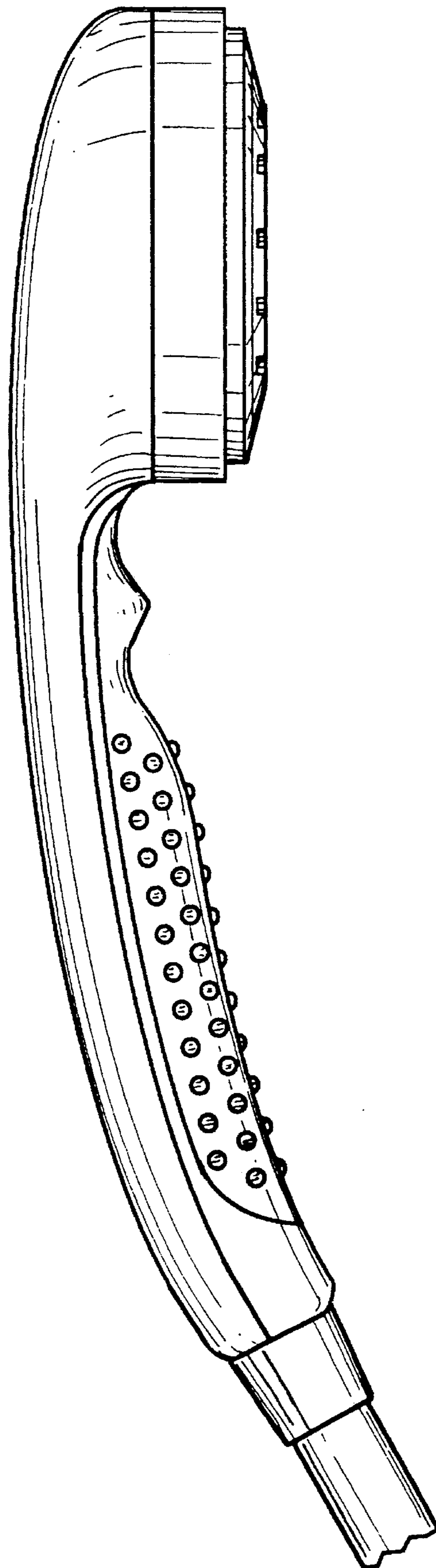


FIG. 6

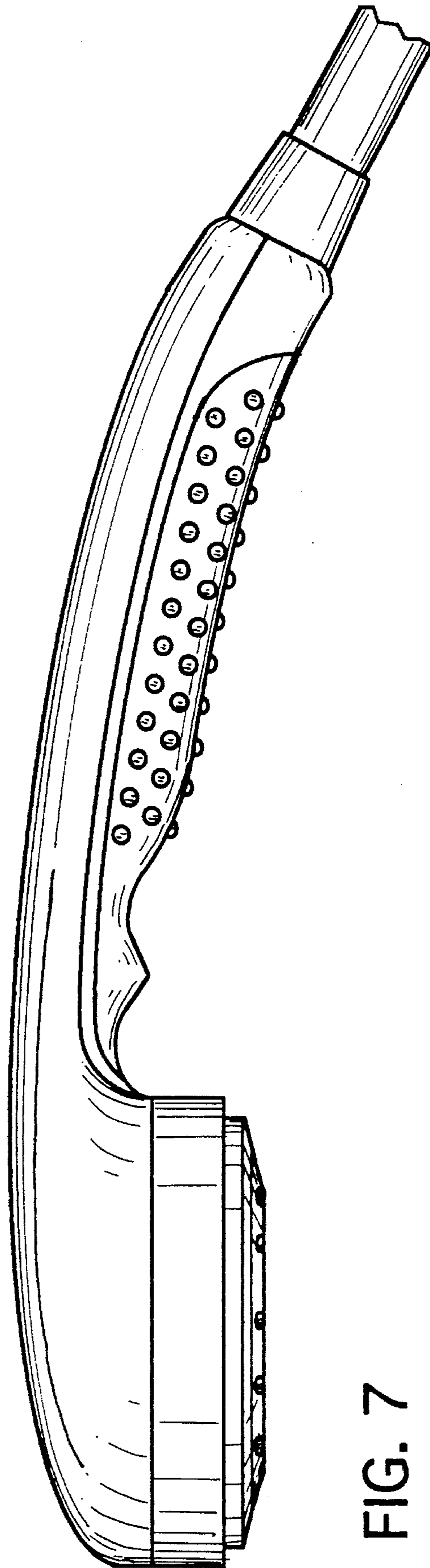


FIG. 7