



US00D374475S

United States Patent [19] Robbins

[11] Patent Number: **Des. 374,475**
[45] Date of Patent: ****Oct. 8, 1996**

[54] **SPINCAST FISHING REEL**
[75] Inventor: **Richard J. Robbins**, Derby, Kans.
[73] Assignee: **Brunswick Corporation**, Lake Forest, Ill.
[**] Term: **14 Years**

4,353,514 10/1982 Neufeld .
4,722,491 2/1988 Myojo .
5,149,010 9/1992 Bacher 242/311
5,316,238 5/1994 Simonson D22/140 X

FOREIGN PATENT DOCUMENTS

52-69786 6/1977 Japan .
769532 3/1957 United Kingdom .

OTHER PUBLICATIONS

Hardware Age, Jun. 18, 1959, p. 59 Item 24, Spincasting Reel.
The Sporting Goods Dealer, Oct. 1958, p. 42A, Pflueger Reel.

Primary Examiner—Doris V. Coles
Attorney, Agent, or Firm—Wood, Phillips, VanSanten, Clark & Mortimer

[21] Appl. No.: **23,055**
[22] Filed: **May 17, 1994**
[52] U.S. Cl. **D22/141**
[58] Field of Search D22/141, 140;
242/230-232, 235, 242-246, 237, 311,
224, 312, 240

[56] References Cited

U.S. PATENT DOCUMENTS

D. 160,817 11/1950 Shakespeare et al. D22/141
D. 182,701 4/1958 Wood D22/141
D. 256,493 8/1980 Okada D22/141
D. 269,798 7/1983 Fee et al. .
D. 273,219 3/1984 Inuma .
D. 273,973 5/1984 Mack .
D. 294,624 3/1988 Inuma et al. D22/141
D. 295,775 5/1988 Kameda D22/141
D. 314,603 2/1991 Jackson et al. D22/141
D. 315,390 3/1991 Peterson D22/141
D. 355,698 2/1995 Robbins et al. D22/141
D. 358,447 5/1995 Robbins D22/141
2,776,803 1/1957 Shakespeare et al. .
2,919,077 12/1959 Underwood .
2,932,465 4/1960 Johnson .
2,979,281 4/1961 Shafer .
3,114,514 12/1963 Clark 242/240

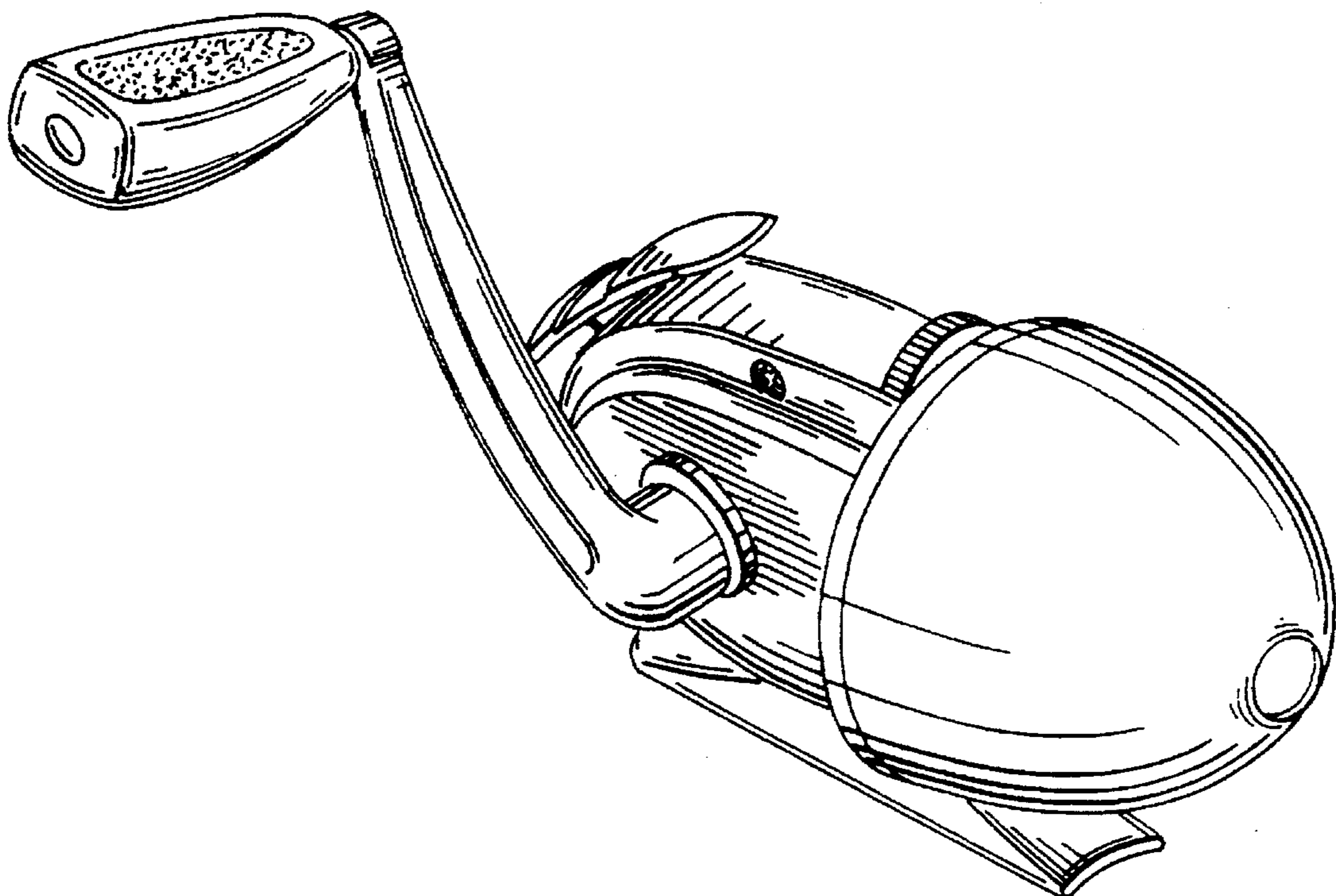
[57] CLAIM

The ornamental design for a spincast fishing reel, as shown and described.

DESCRIPTION

FIG. 1 is a front, top and right side perspective view of a spincast fishing reel showing my new design;
FIG. 2 is a right side elevation view thereof;
FIG. 3 is a left side elevation view thereof;
FIG. 4 is a plan view thereof;
FIG. 5 is a bottom view thereof;
FIG. 6 is a front elevation view thereof; and,
FIG. 7 is a rear elevation view thereof.

1 Claim, 3 Drawing Sheets



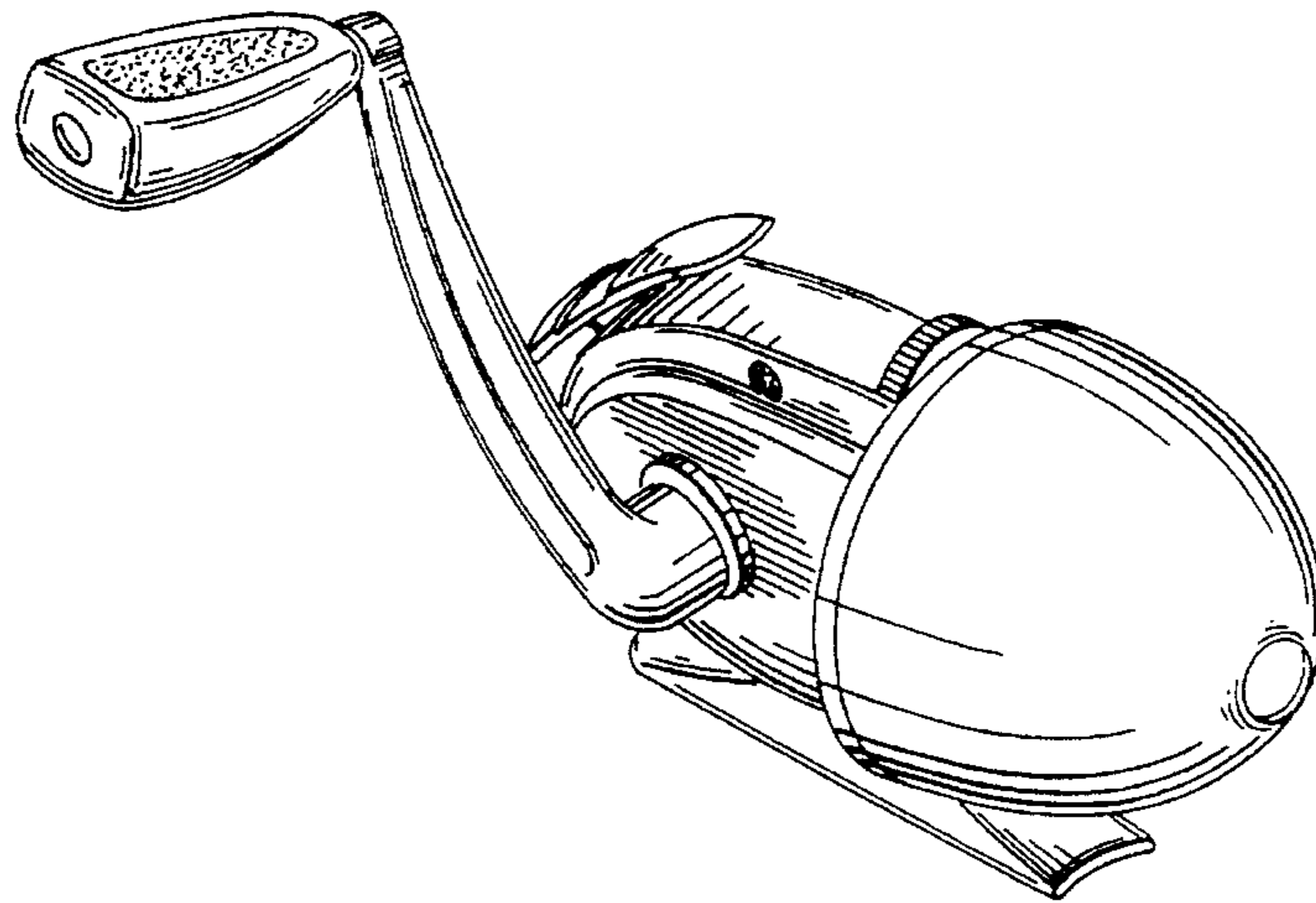


FIG. 1

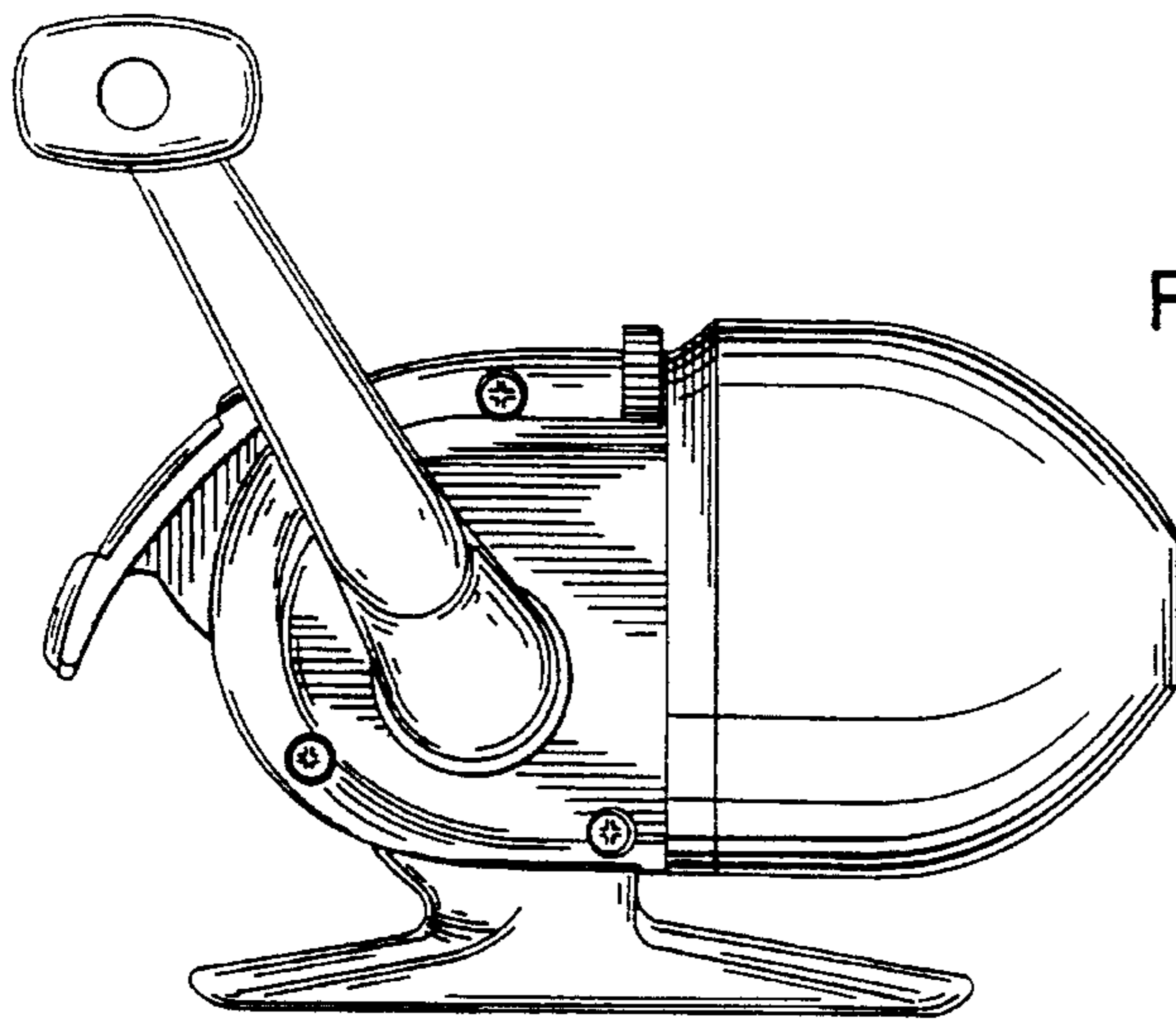


FIG. 2

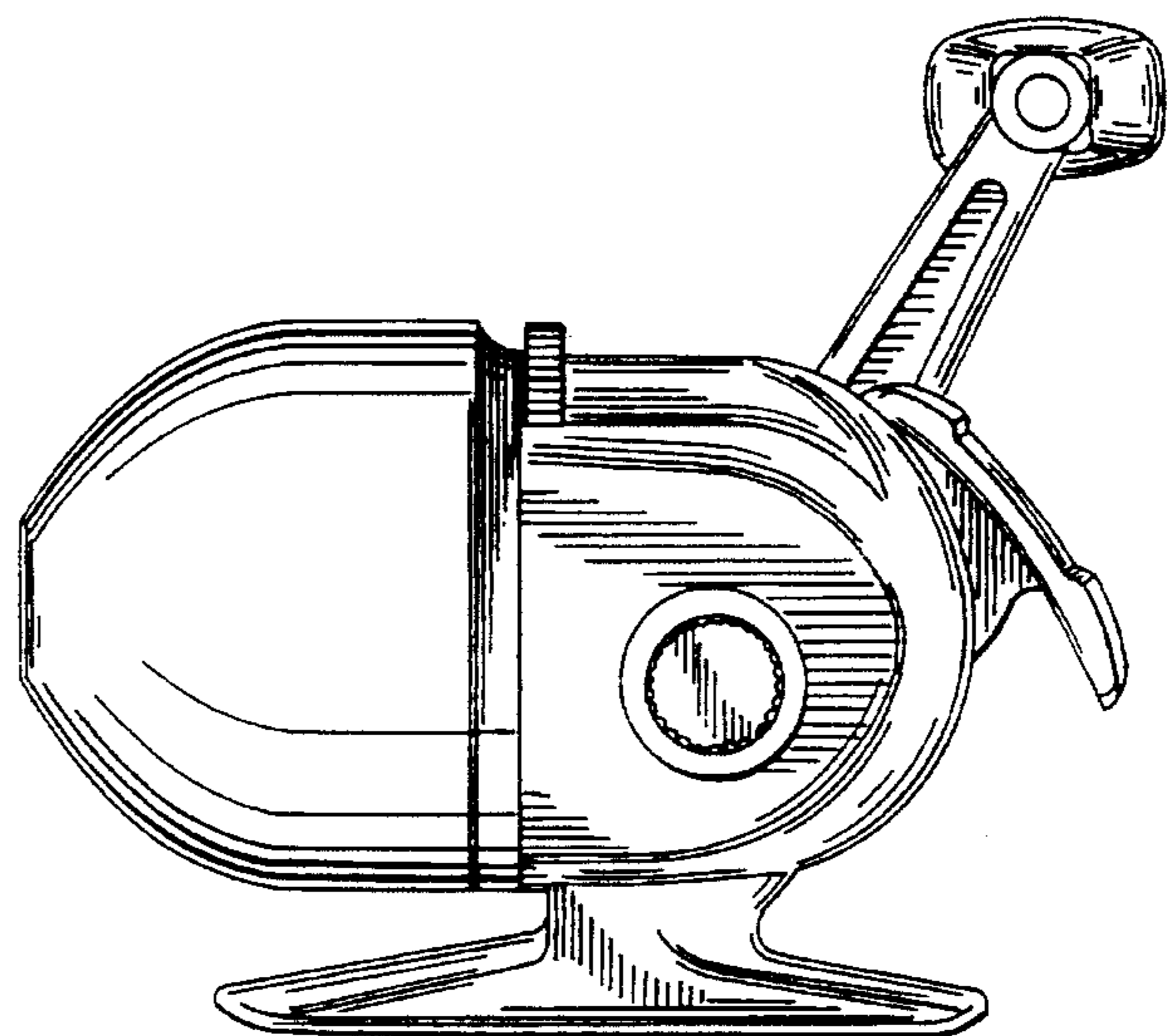


FIG. 3

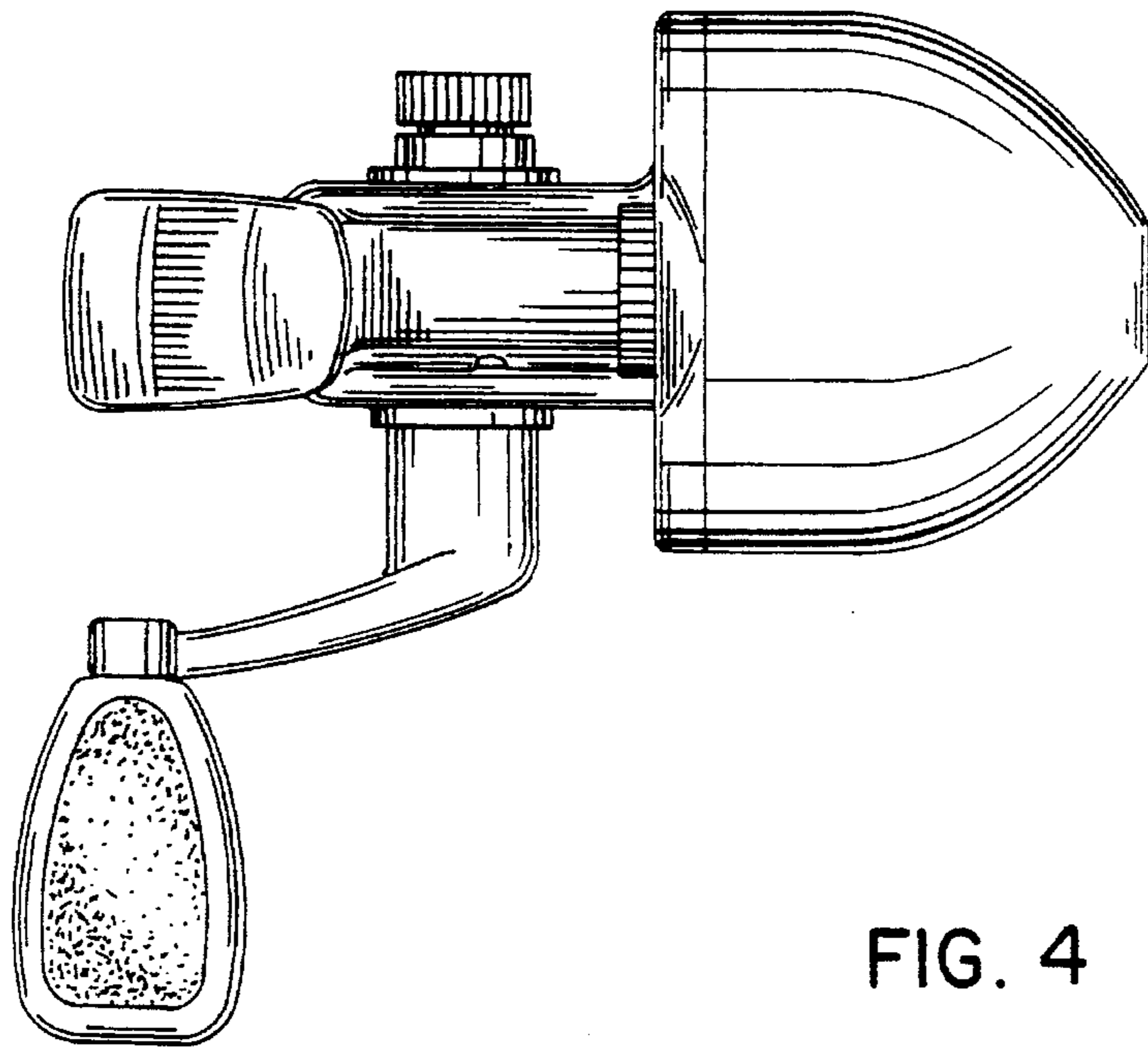


FIG. 4

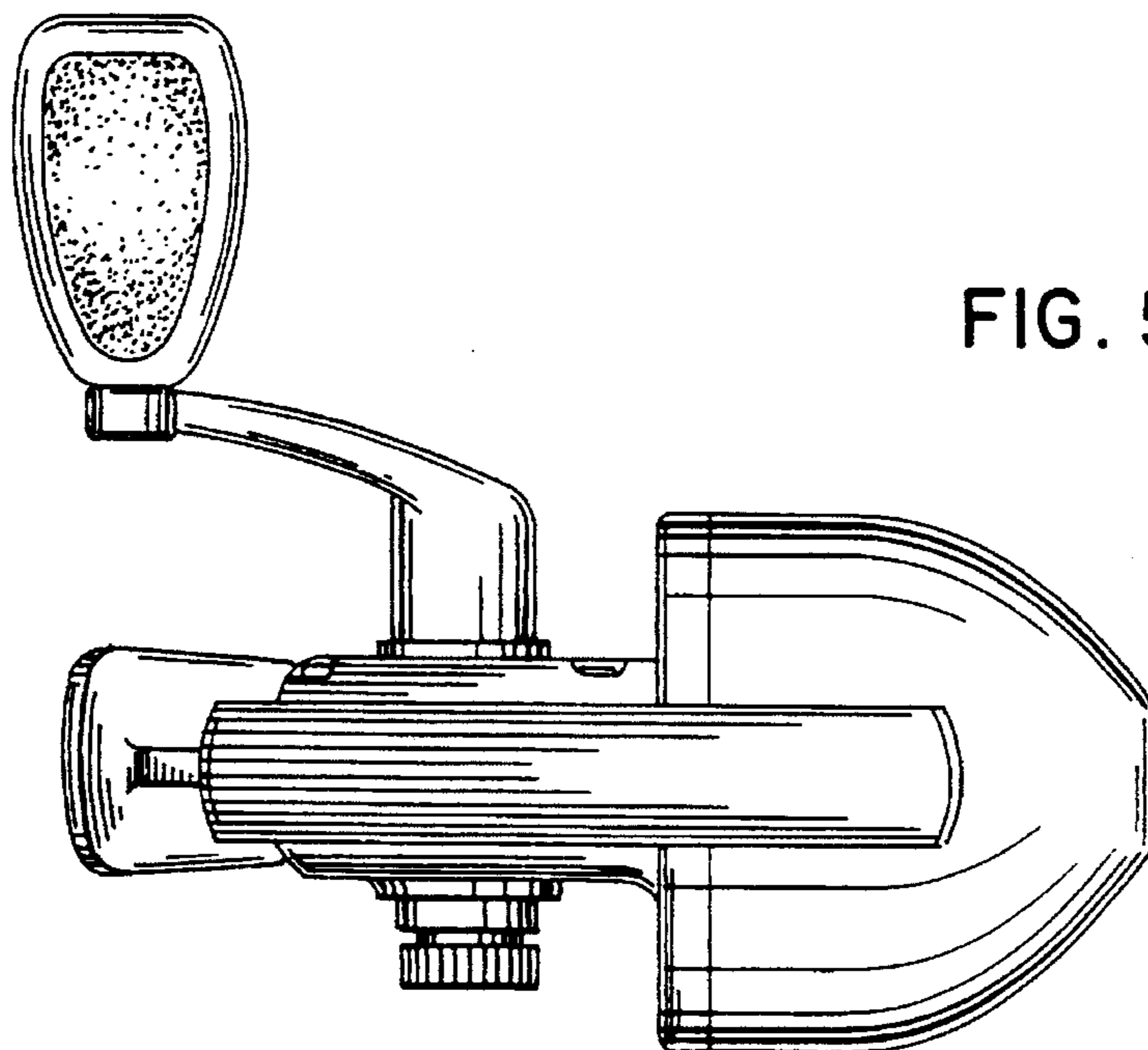


FIG. 5

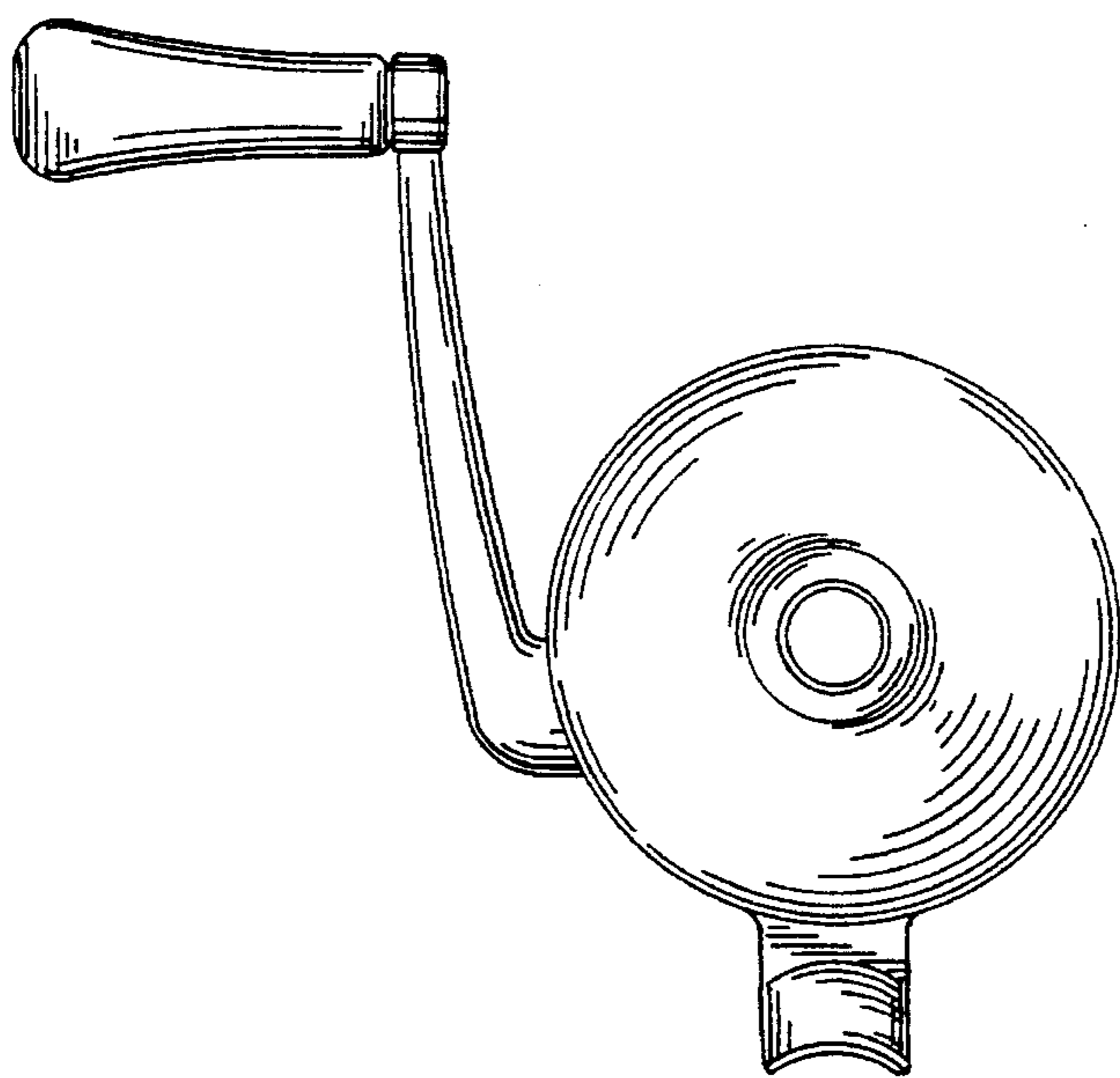


FIG. 6

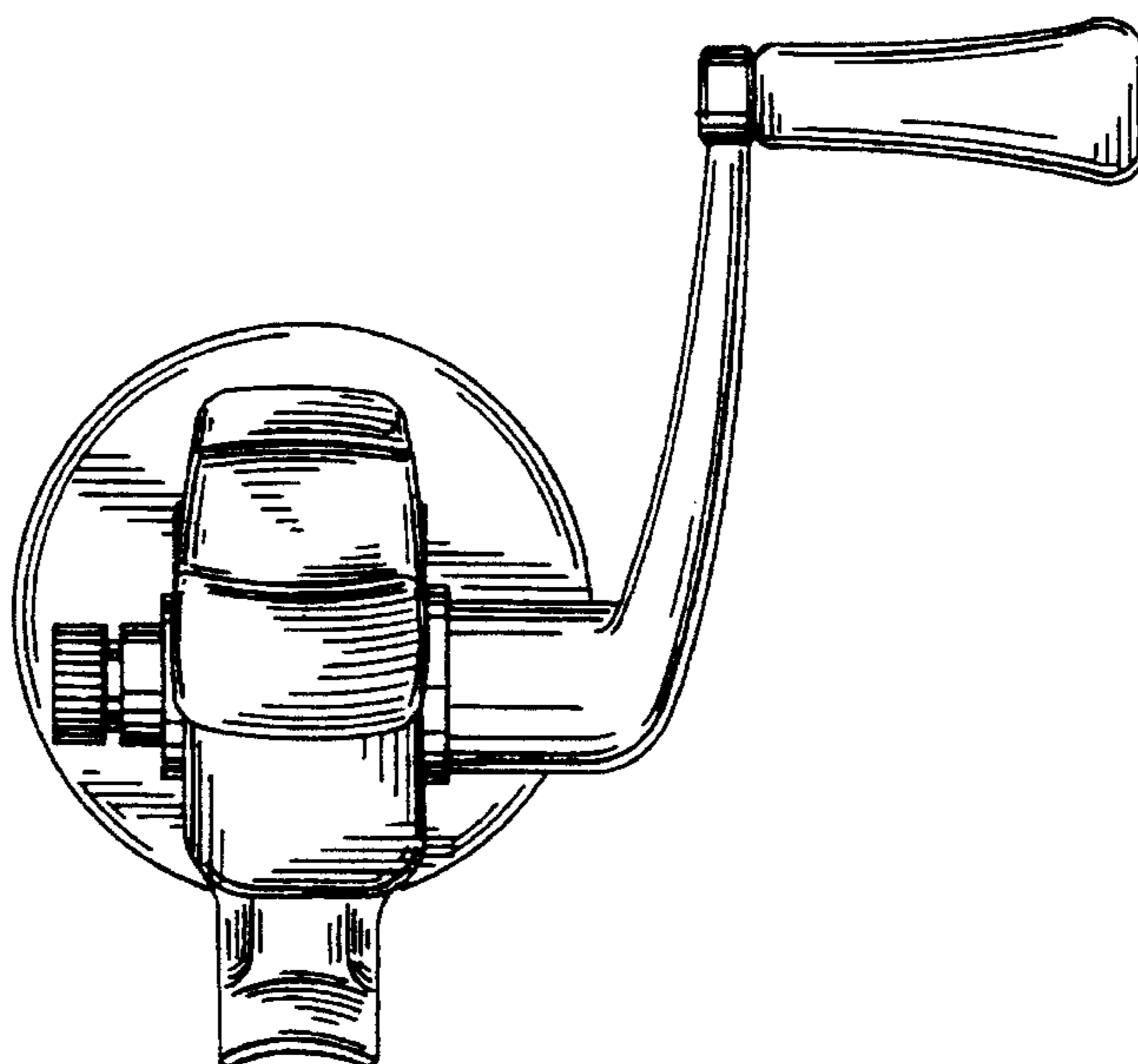


FIG. 7