



US00D374474S

United States Patent [19]

[11] **Patent Number: Des. 374,474**

Persson

[45] **Date of Patent: **Oct. 8, 1996**

[54] **SIGHT**

371,850	10/1887	Maynard	42/100	X
1,223,476	4/1917	Coller	42/100	X
1,582,063	4/1926	McIntosh	42/100	X
1,641,019	8/1927	Woods	42/101	
5,373,657	12/1994	Betz et al.	42/100	

[75] Inventor: **Kurt Persson**, Köping, Sweden

[73] Assignee: **Polarit Forsaljnings AB**, Koping, Sweden

[**] Term: **14 Years**

Primary Examiner—Louis S. Zarfaz
Assistant Examiner—Monica A. Hannon
Attorney, Agent, or Firm—Shapiro and Shapiro

[21] Appl. No.: **39,681**

[22] Filed: **Jun. 2, 1995**

[30] Foreign Application Priority Data

Dec. 2, 1994 [SE] Sweden 94-2445

[52] U.S. Cl. **D22/109**; D22/110; D22/108

[58] Field of Search D22/100, 108,
D22/109, 110, 199; D21/145, 146, 147;
33/233, 241; 42/40, 70.01, 100; 89/1.702,
1.704, 1.705, 196

[57] CLAIM

The ornamental design for a sight, as shown.

DESCRIPTION

FIG. 1 is a front perspective view of the sight; and,
FIG. 2 is a rear perspective view of the sight.

[56] References Cited

U.S. PATENT DOCUMENTS

D. 360,454 7/1995 DePaoli D22/109

1 Claim, 1 Drawing Sheet

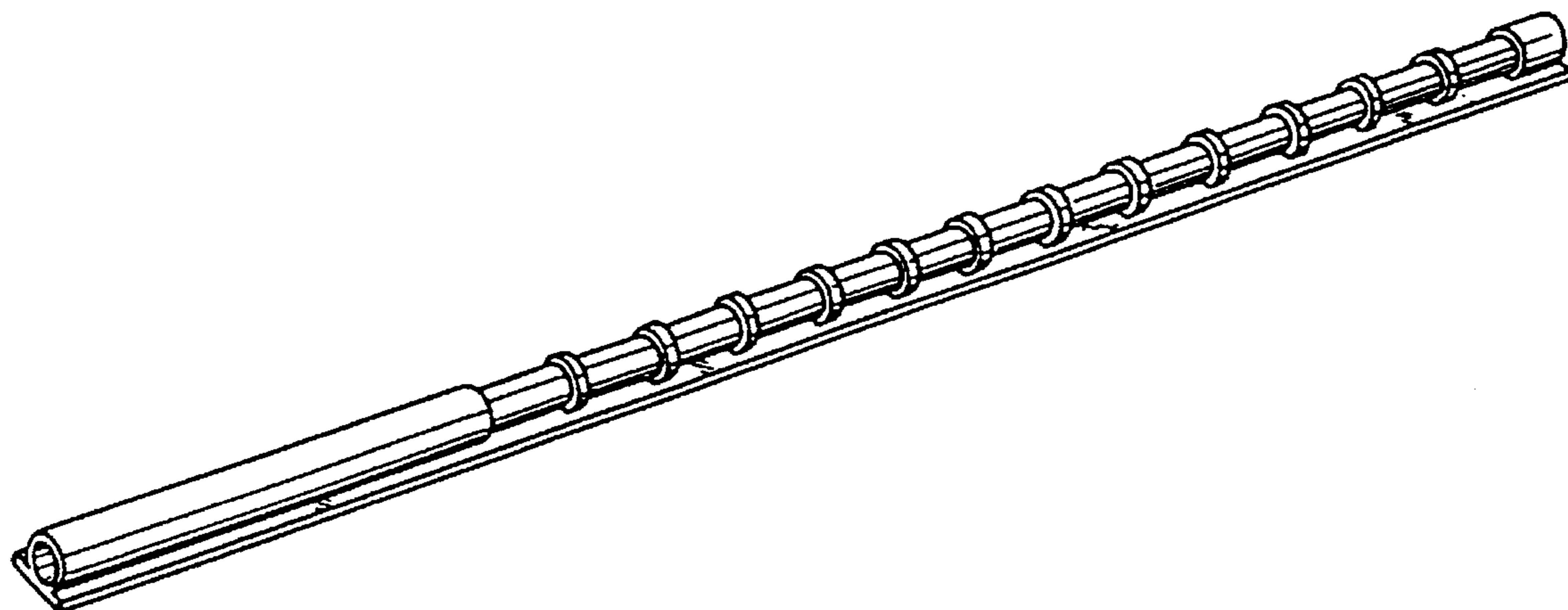


FIG. 1

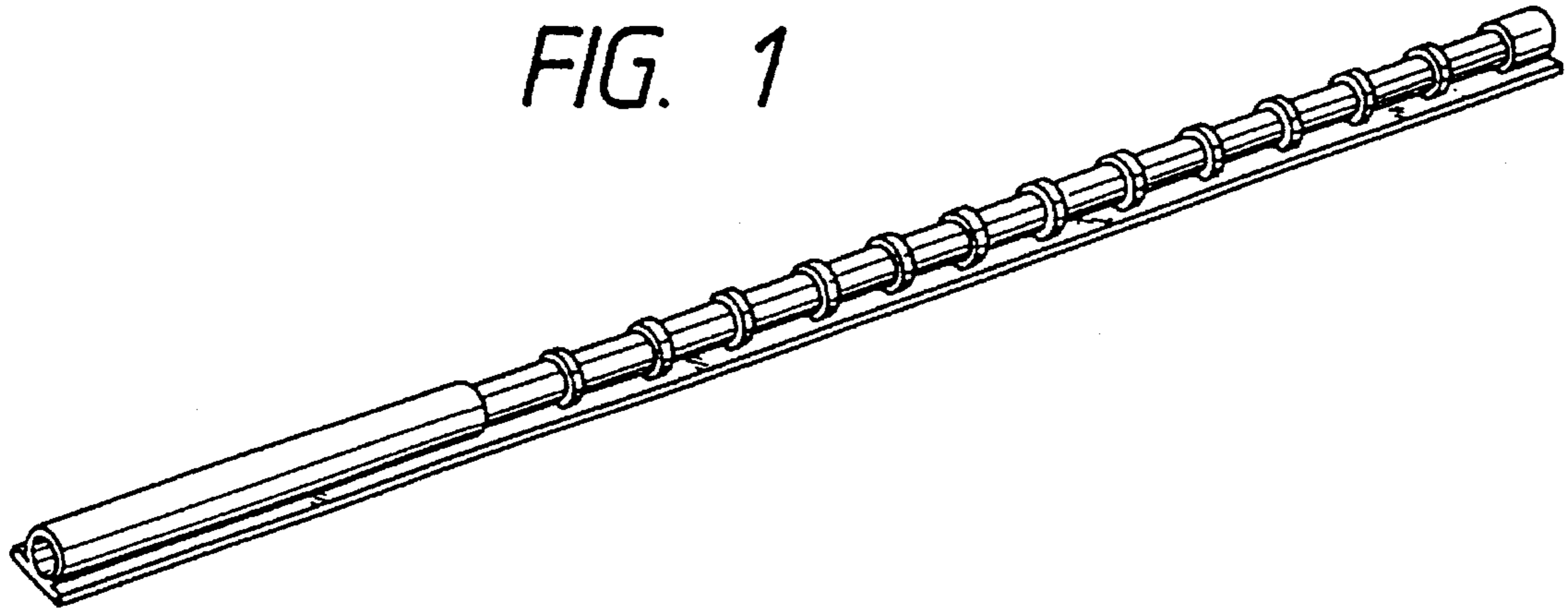


FIG. 2

