



US00D374473S

United States Patent [19]

[11] **Patent Number: Des. 374,473**

Morrell

[45] **Date of Patent: **Oct. 8, 1996**

[54] **BOW SIGHT**

5,442,862 8/1995 Newbold et al. 124/87 X

[76] Inventor: **Dale Morrell**, Rte. 2, Box 699, Alma, Ark. 72921

OTHER PUBLICATIONS

[**] Term: **14 Years**

Pro Shop; Petersen's Bowhunting, Mar. 1994, p. 18.
Advertisement: *Master Blaster One Touch—One Sight—Bow Sight*; Archery Business; p. 59.
Archery '93; Gander Mountain Catalog; pp. 25-32.
Archery '94; Gander Mountain Catalog; pp. 2, 10, 42-50.

[21] Appl. No.: **37,709**

[22] Filed: **Apr. 19, 1995**

[52] **U.S. Cl.** **D22/107**; D22/100; D22/199

[58] **Field of Search** D22/100, 107, D22/115, 199; 33/233, 241, 245, 252, 257, 265, 284; 42/90, 100; 124/23.1, 25.6, 86, 87

Primary Examiner—Louis S. Zarfes
Assistant Examiner—Monica A. Hannon
Attorney, Agent, or Firm—Daniel R. Alexander; Head, Johnson & Kachigian

[57] **CLAIM**

[56] **References Cited**

The ornamental design for a bow sight, as shown and described.

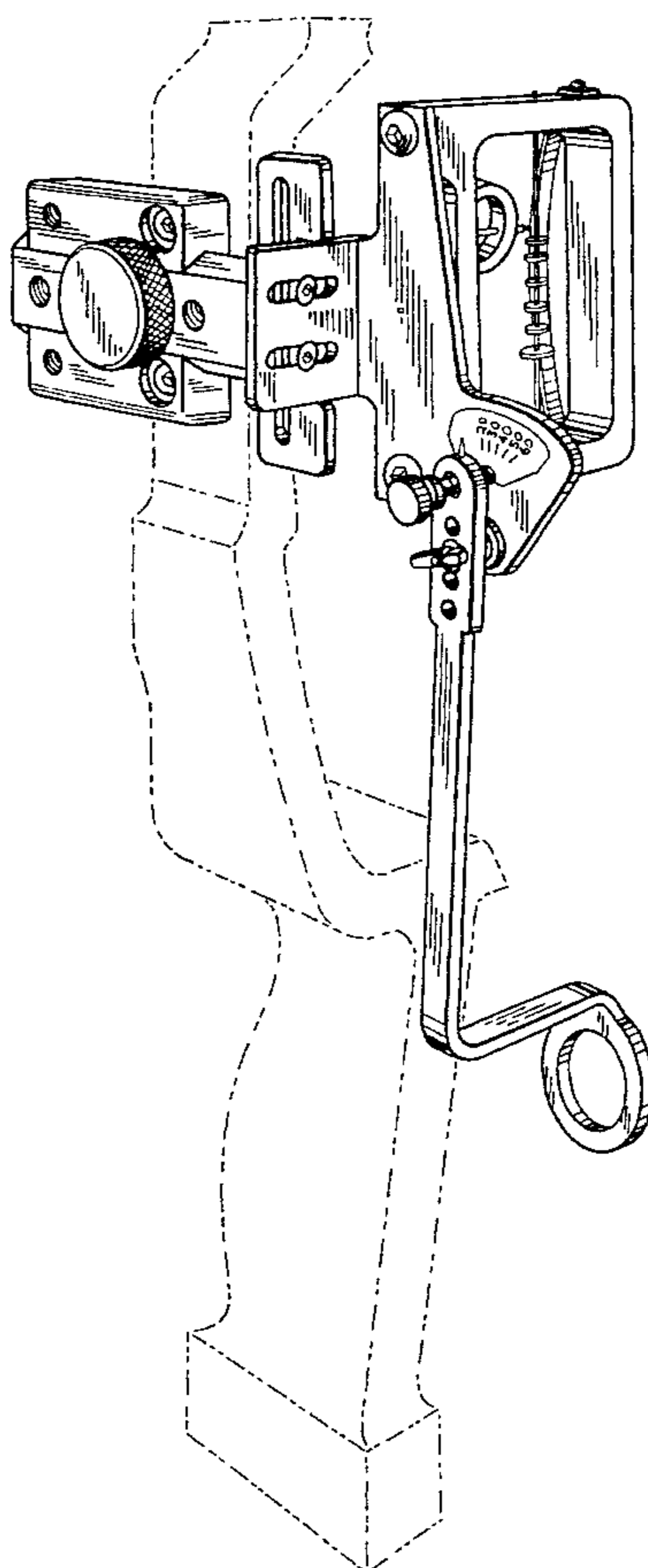
U.S. PATENT DOCUMENTS

DESCRIPTION

3,666,368	5/1972	Sprandel	356/21
3,766,656	10/1973	Westphal	33/265
3,798,783	3/1974	Carella	33/265
3,854,217	12/1974	Killian	33/265
3,910,700	10/1975	Sprandel	356/21
4,109,390	8/1978	Smith et al.	33/265
4,726,123	2/1988	Keller	33/265
5,002,285	3/1991	Morrell	273/408
5,131,153	7/1992	Seales	124/87
5,174,269	12/1992	Sappington	124/87
5,253,423	10/1993	Sullivan, Jr. et al.	124/87 X
5,308,084	5/1994	Morrell	273/403
5,359,780	11/1994	Dallaire	33/265
5,379,746	1/1995	Sappington	124/86 X

FIG. 1 is a perspective view of a bow sight showing my new design;
FIG. 2 is a front elevational view thereof;
FIG. 3 is a rear elevational view thereof;
FIG. 4 is a right side elevational view thereof;
FIG. 5 is a left side elevational view thereof; and,
FIG. 6 is a top plan view thereof.
The broken line showing of a bow in FIG. 1 is for illustrative purposes only and forms no part of the claimed design.

1 Claim, 5 Drawing Sheets



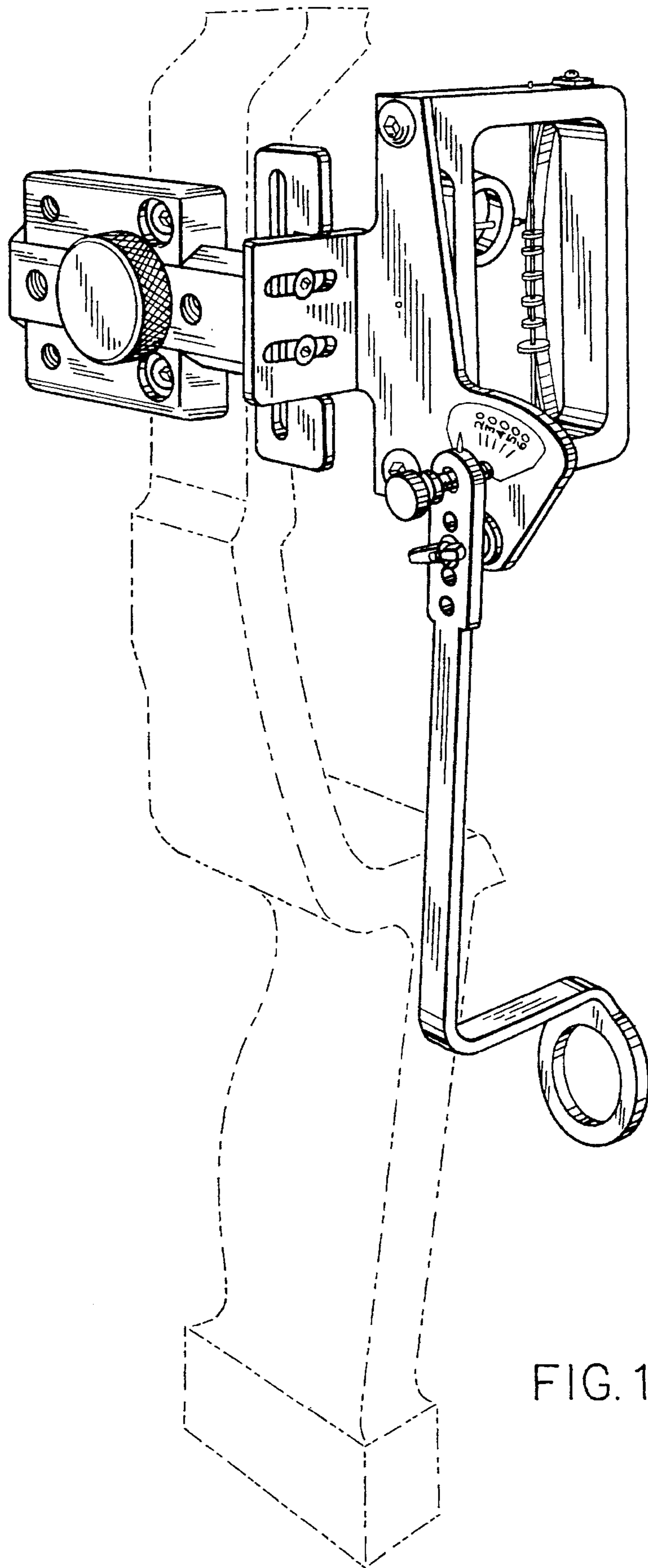


FIG. 1

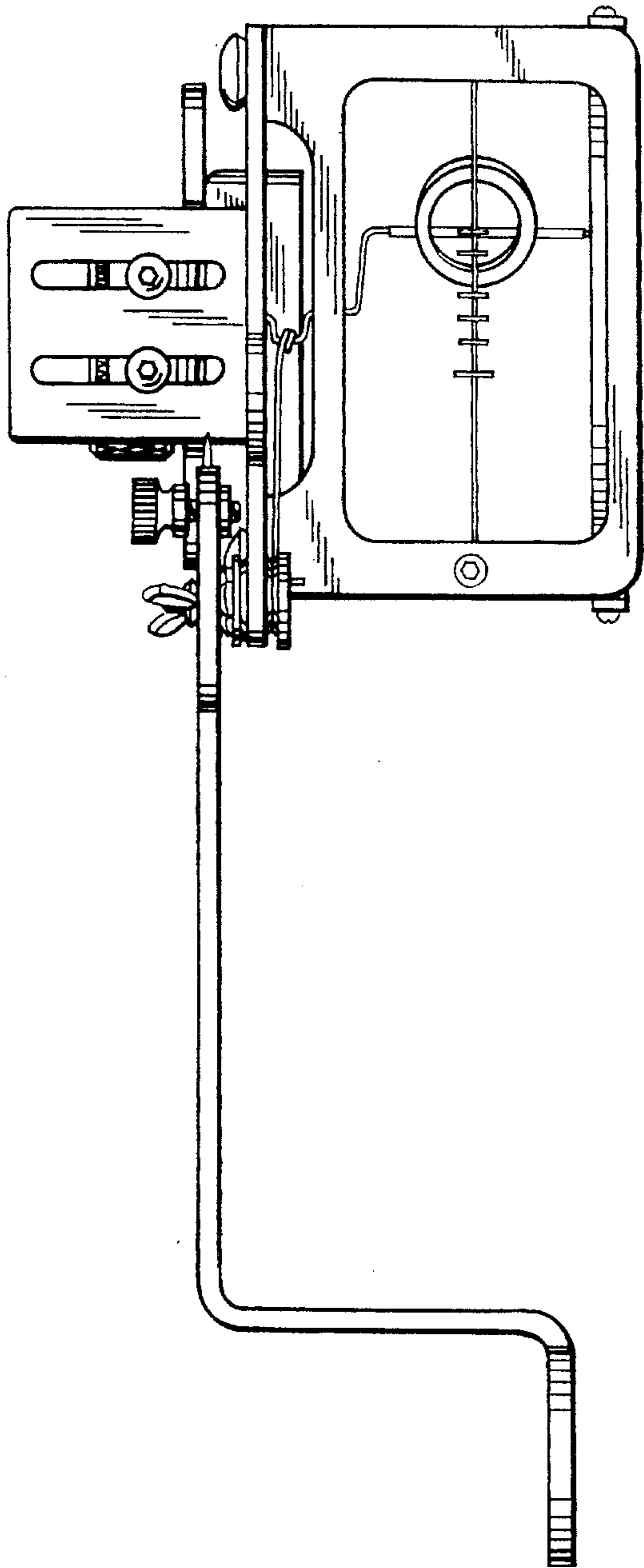


FIG. 2

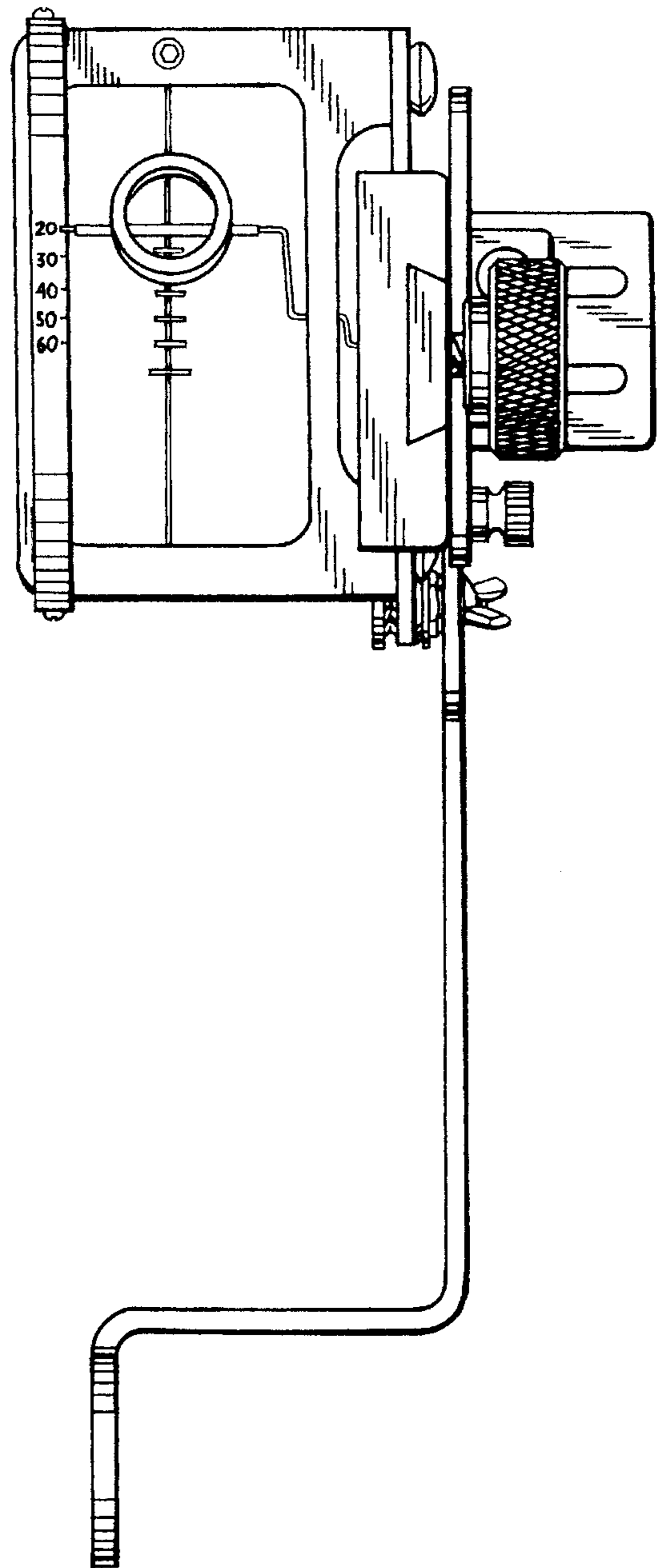


FIG. 3

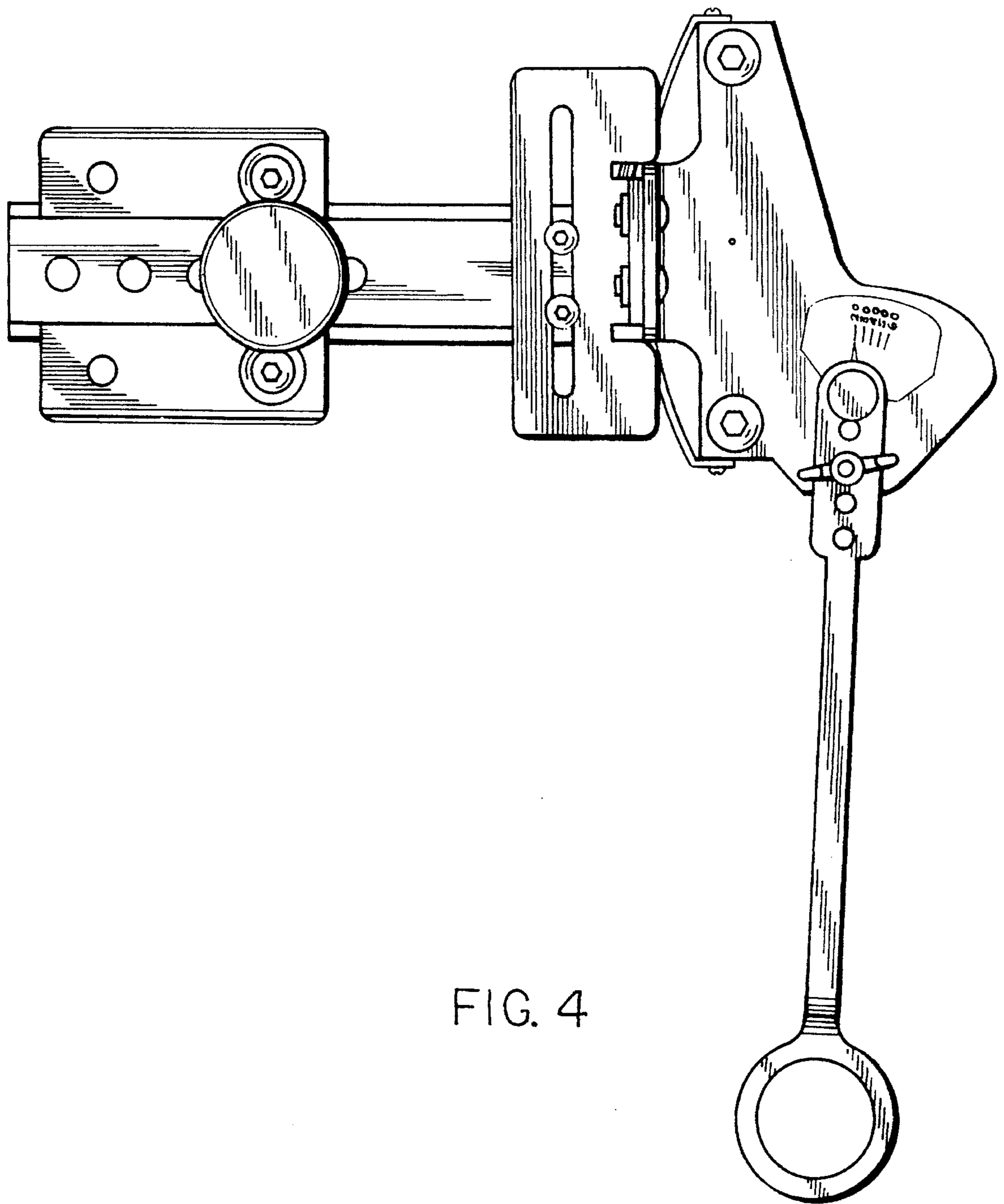


FIG. 4

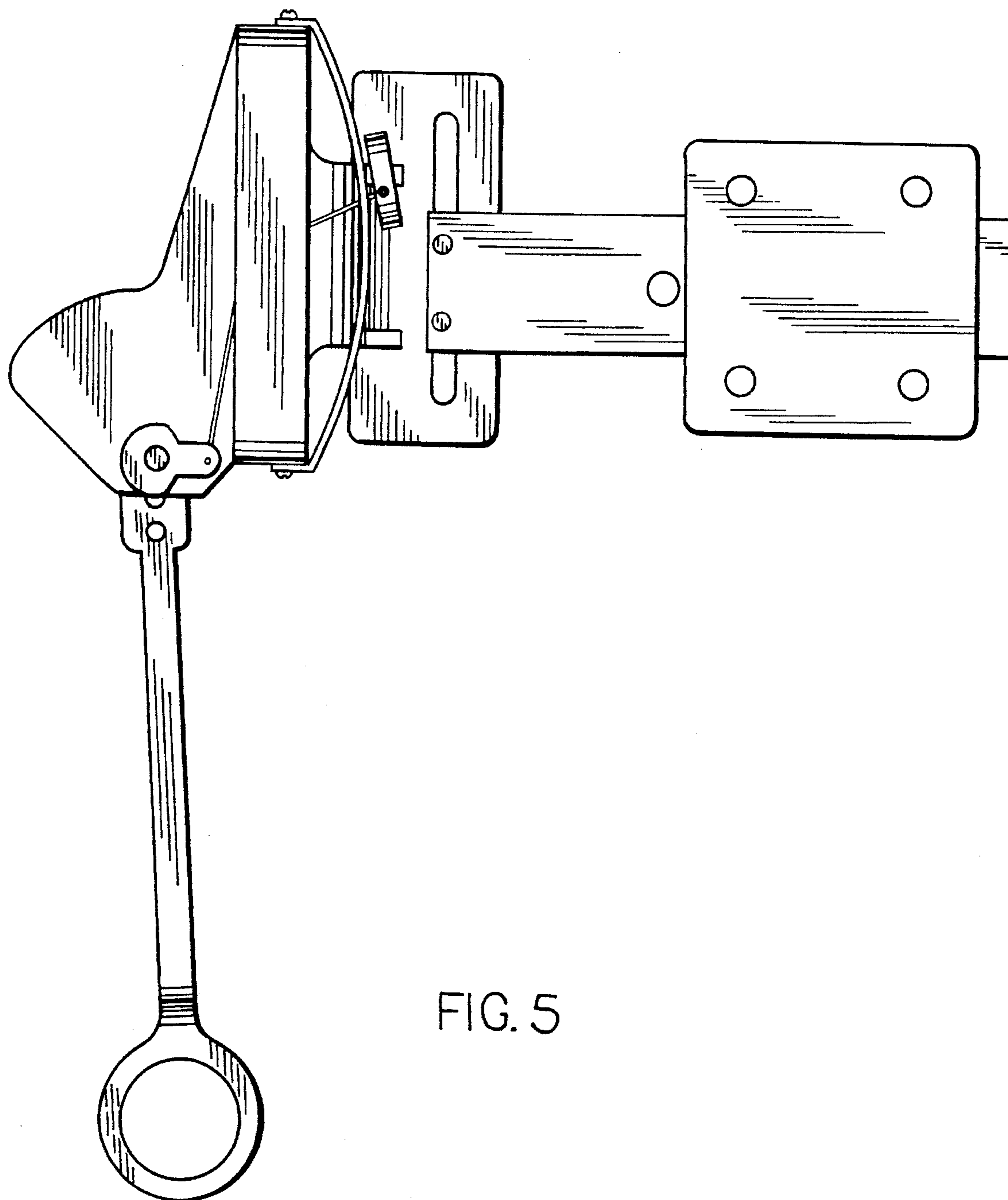


FIG. 5

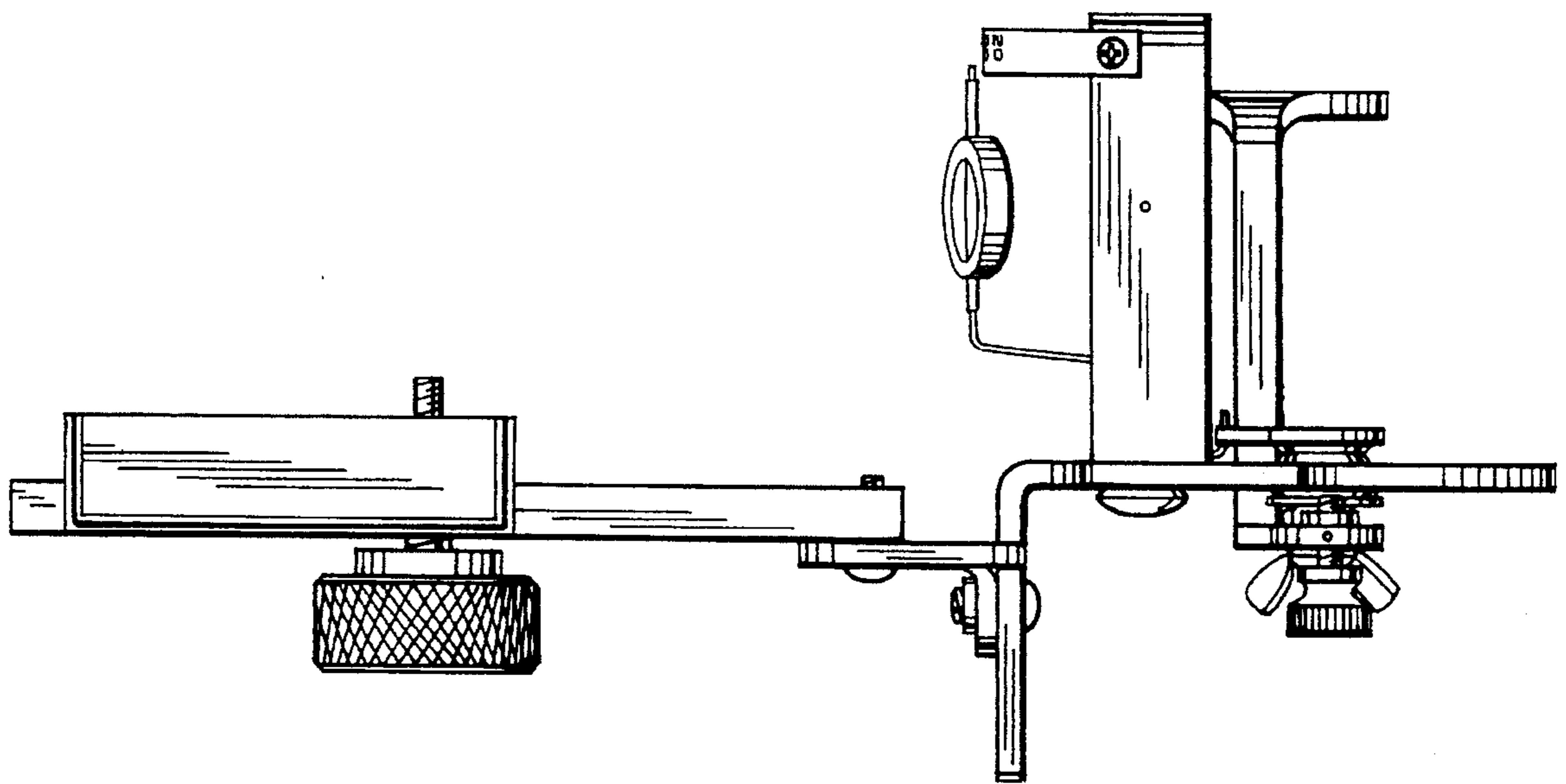


FIG. 6