



US00D374472S

United States Patent [19]

Nowak

[11] Patent Number: **Des. 374,472**

[45] Date of Patent: ****Oct. 8, 1996**

[54] **GOLF ACCESSORY CLIP**

[76] Inventor: **Chris J. Nowak**, 805 Cirrus Dr., Alpharetta, Ga. 30202

[**] Term: **14 Years**

[21] Appl. No.: **29,850**

[22] Filed: **Oct. 18, 1994**

[52] U.S. Cl. **D21/234; D3/224**

[58] Field of Search **D21/234; D3/215, D3/221, 224, 228, 254; 273/32 D; 224/918, 919, 163; 206/315.9, 315.1**

[56] **References Cited**

U.S. PATENT DOCUMENTS

D. 165,253	11/1951	Ward	D21/208
2,665,830	1/1954	Fowler	D3/224 X
3,298,579	1/1967	Smith	D21/234 X
3,753,519	8/1973	Gammon	273/32 A X
4,736,877	4/1988	Clark	273/32 A X
4,850,483	7/1989	Stack	273/32 A X
5,423,530	6/1995	Alvarez González	273/32 A X

Primary Examiner—Prabhakar G. Deshmukh
Assistant Examiner—Cheri Cohen
Attorney, Agent, or Firm—Hopkins & Thomas

[57] **CLAIM**

The ornamental design for a golf accessory clip, as shown and described.

DESCRIPTION

FIG. 1 is a perspective view of a golf accessory clip showing my new design;
FIG. 2 is a front elevational view thereof;
FIG. 3 is a right side elevational view thereof;
FIG. 4 is a left side elevational view thereof;
FIG. 5 is a rear view thereof;
FIG. 6 is a top view thereof; and,
FIG. 7 is a bottom view thereof.

The broken line showing of the golf accessories is for illustrative purposes only and forms no part of the claimed design.

1 Claim, 2 Drawing Sheets

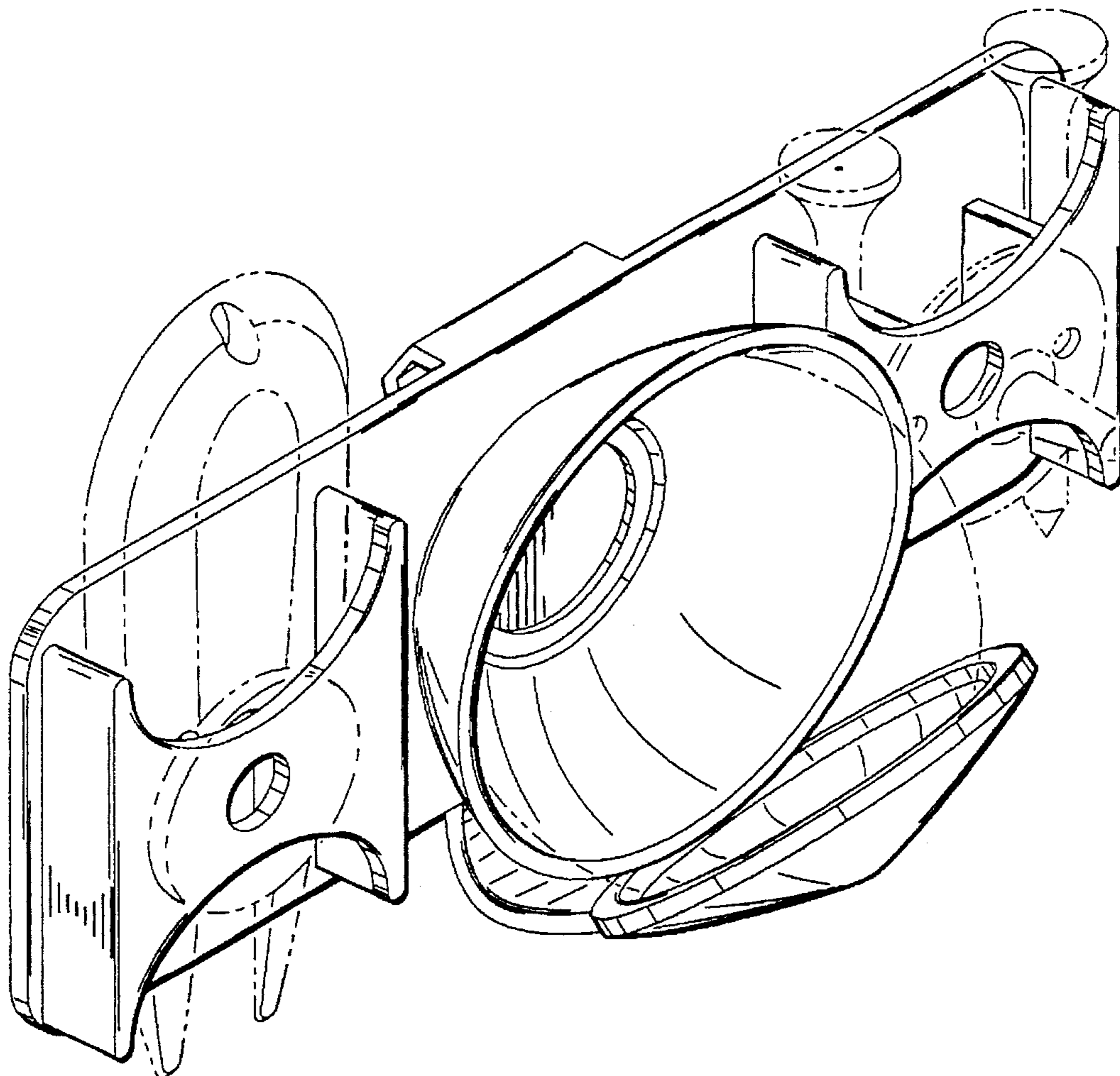


FIG. 1

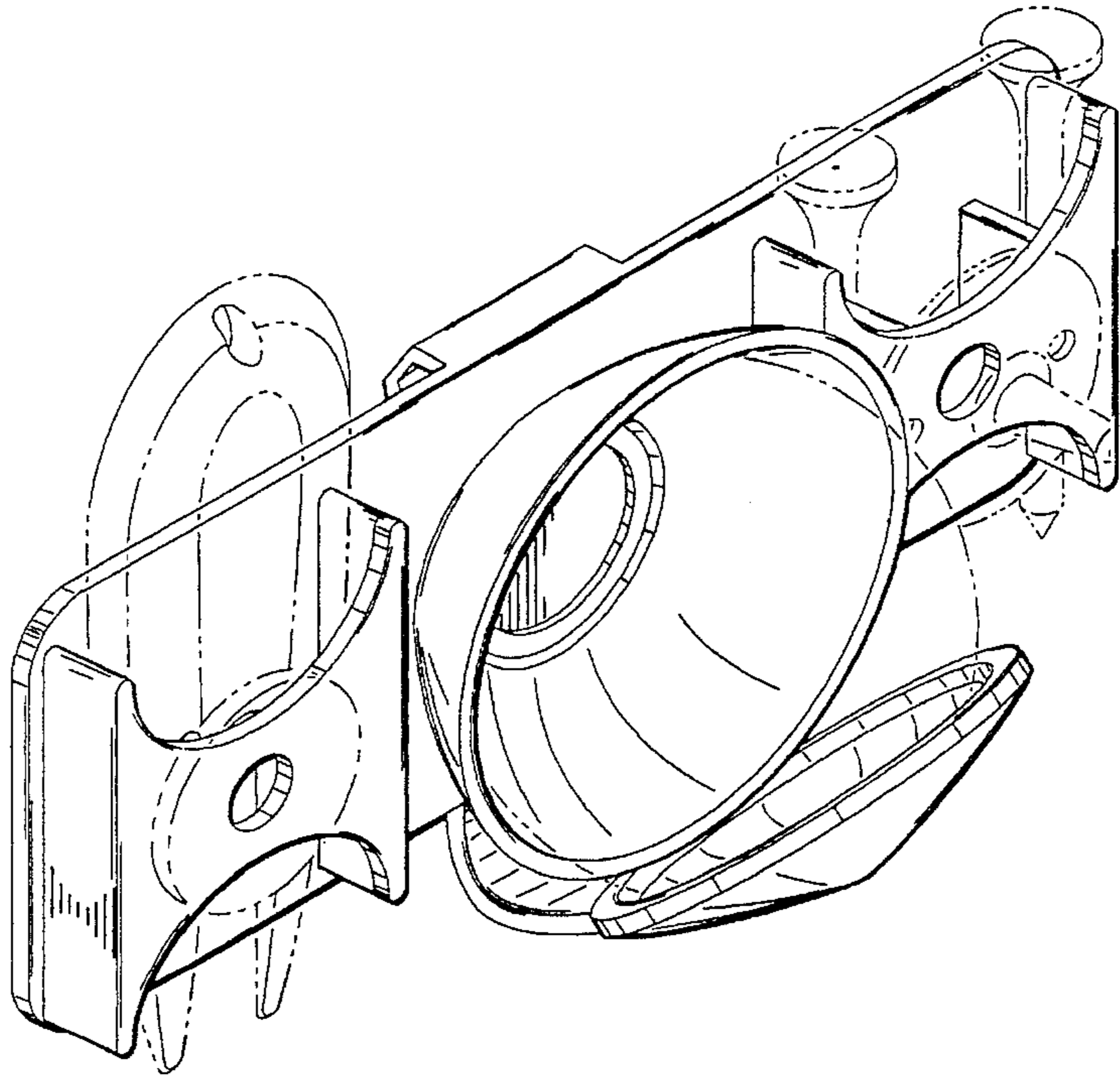


FIG. 2

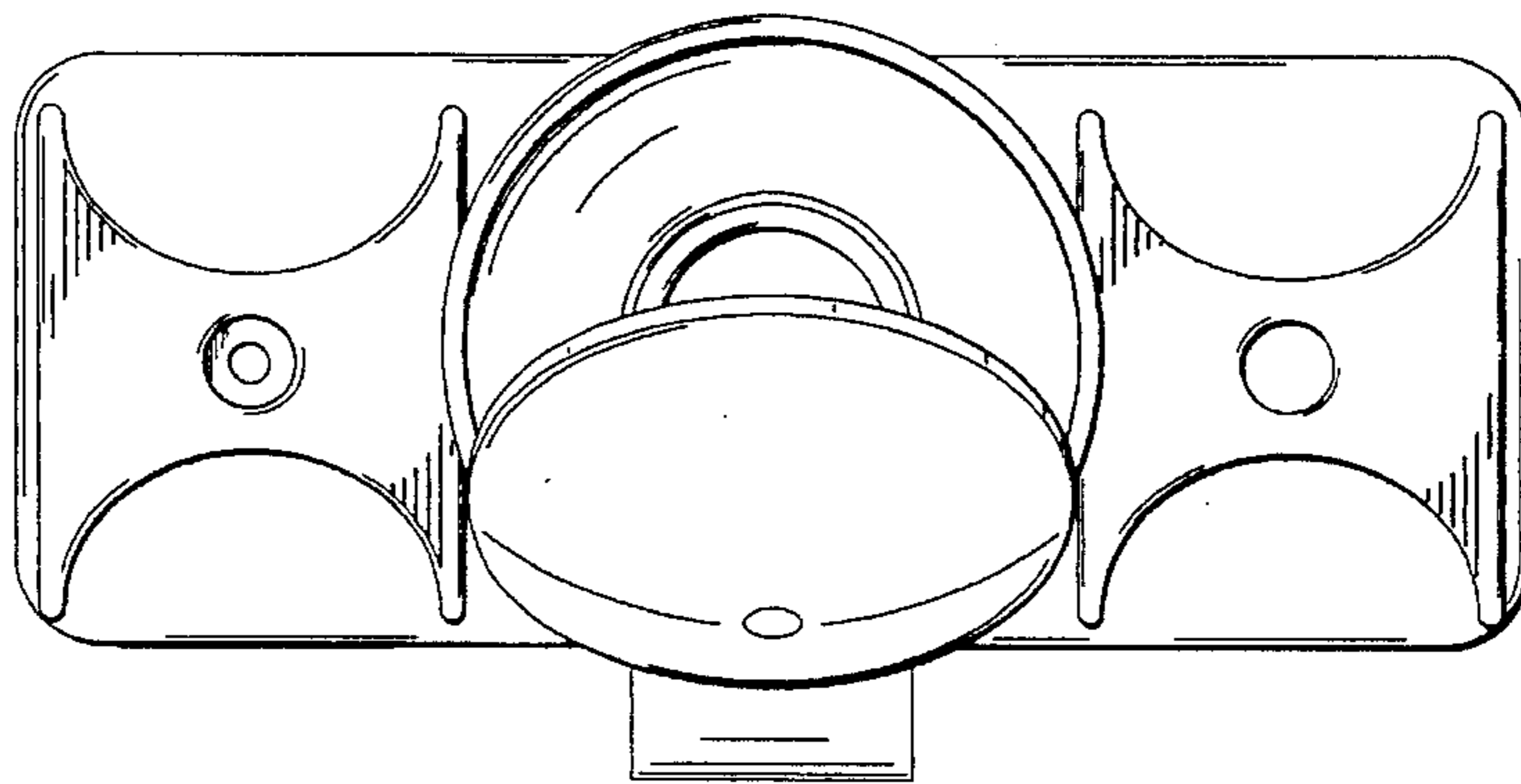


FIG. 3

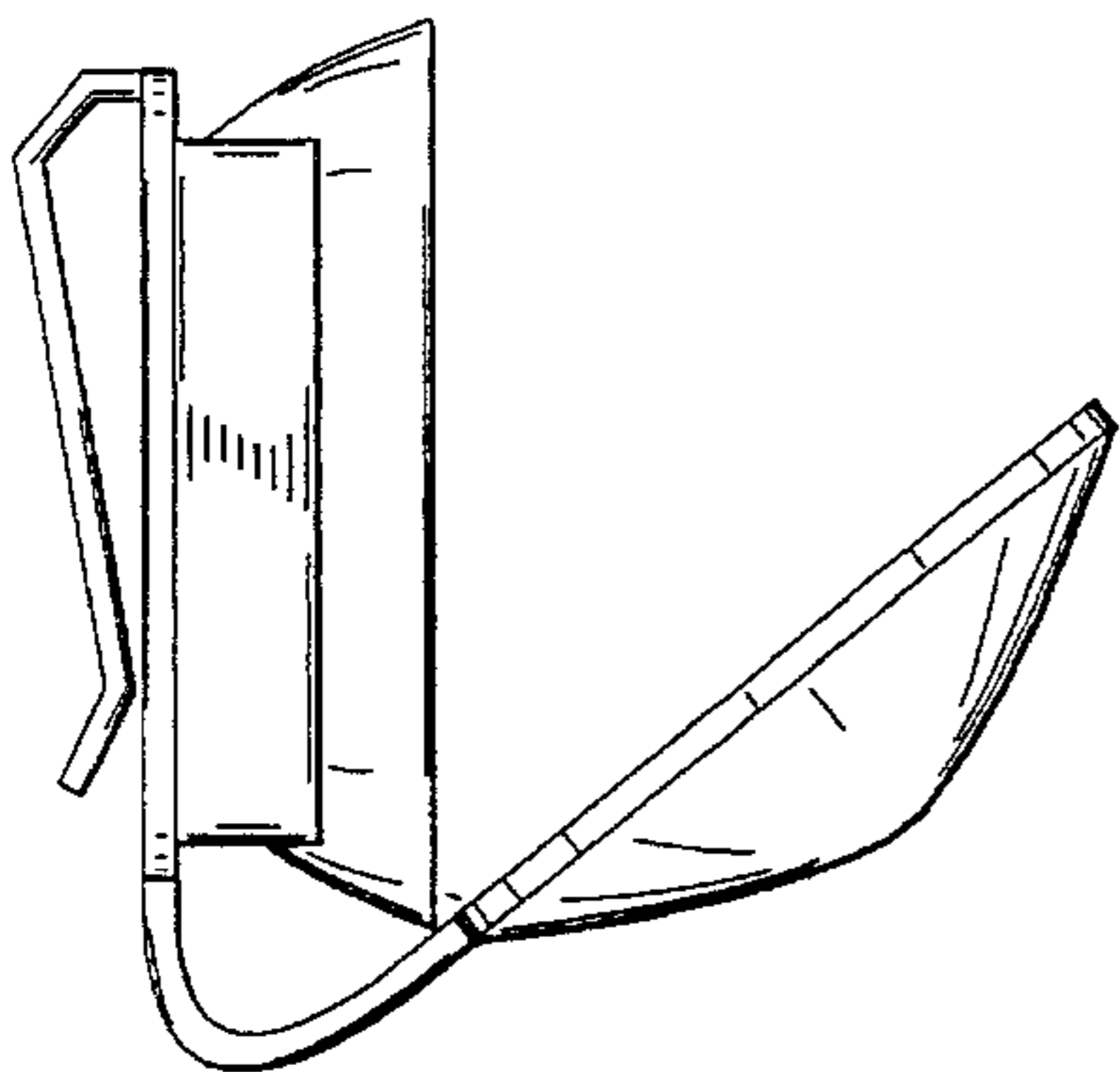


FIG. 4

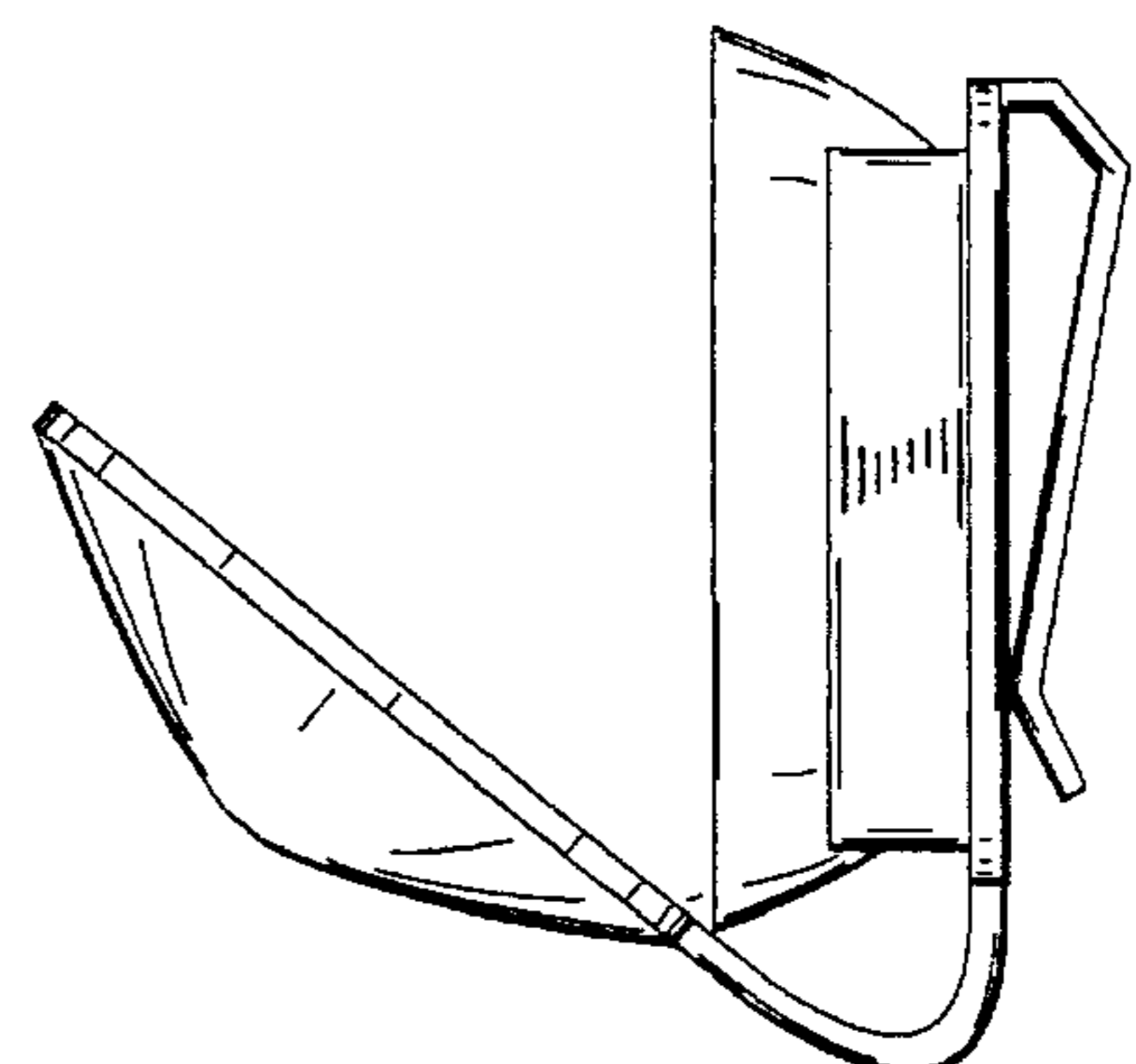


FIG. 5

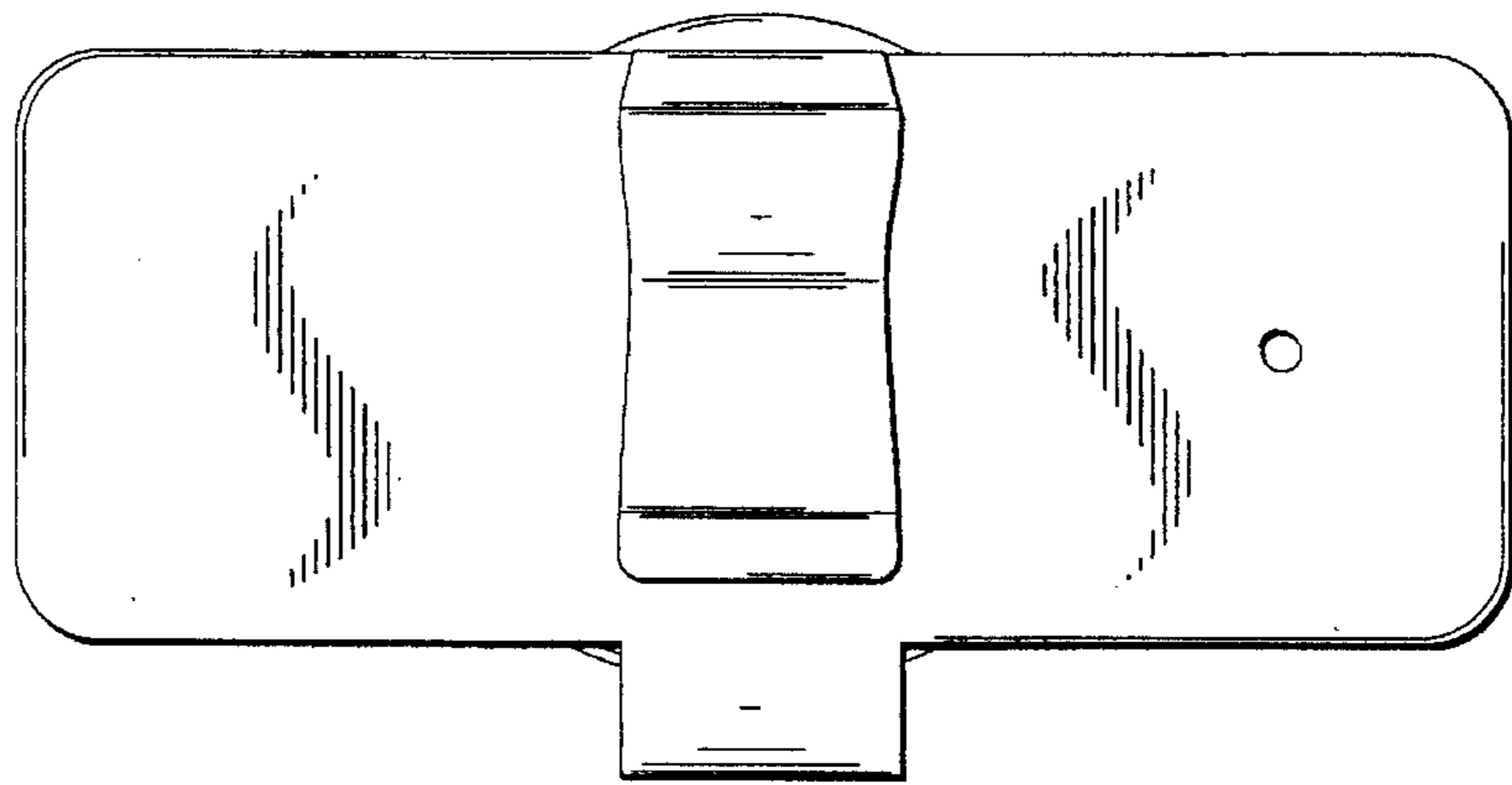


FIG. 6

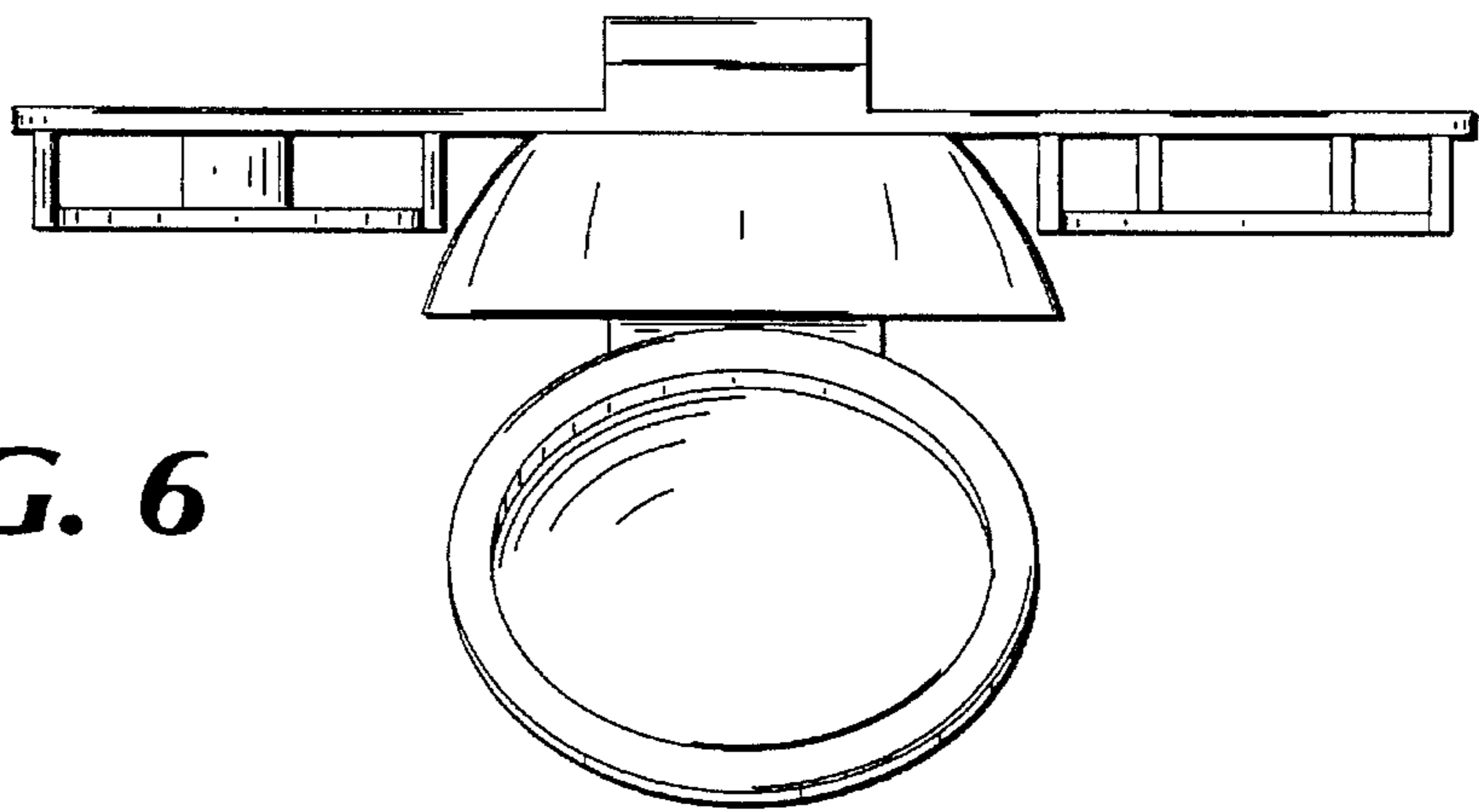


FIG. 7

