



US00D374471S

United States Patent [19]

Scott et al.

[11] Patent Number: **Des. 374,471**

[45] Date of Patent: ****Oct. 8, 1996**

[54] **POOL TABLE WITH CENTER PROJECTION**

2200294 8/1988 United Kingdom 473/18

[76] Inventors: **Tommy L. Scott; Rodney L. Scott,**
both of Rte. 4 Box 342, Carthage, Tex.
75633

OTHER PUBLICATIONS

Brunswick Bowling & Billards Co., "The Hampton II" sales brochure, 1994.
Brunswick Bowling & Billards Co., "Pioneer" sales brochure 1993.

[**] Term: **14 Years**

Primary Examiner—Prabhakar G. Deshmukh
Attorney, Agent, or Firm—John M. Harrison

[21] Appl. No.: **46,253**

[22] Filed: **Nov. 9, 1995**

[52] U.S. Cl. **D21/232**

[57] CLAIM

[58] Field of Search D21/232; 473/1-4,
473/6, 18

The ornamental design for a pool table with center projection, as shown and described.

[56] References Cited

DESCRIPTION

U.S. PATENT DOCUMENTS

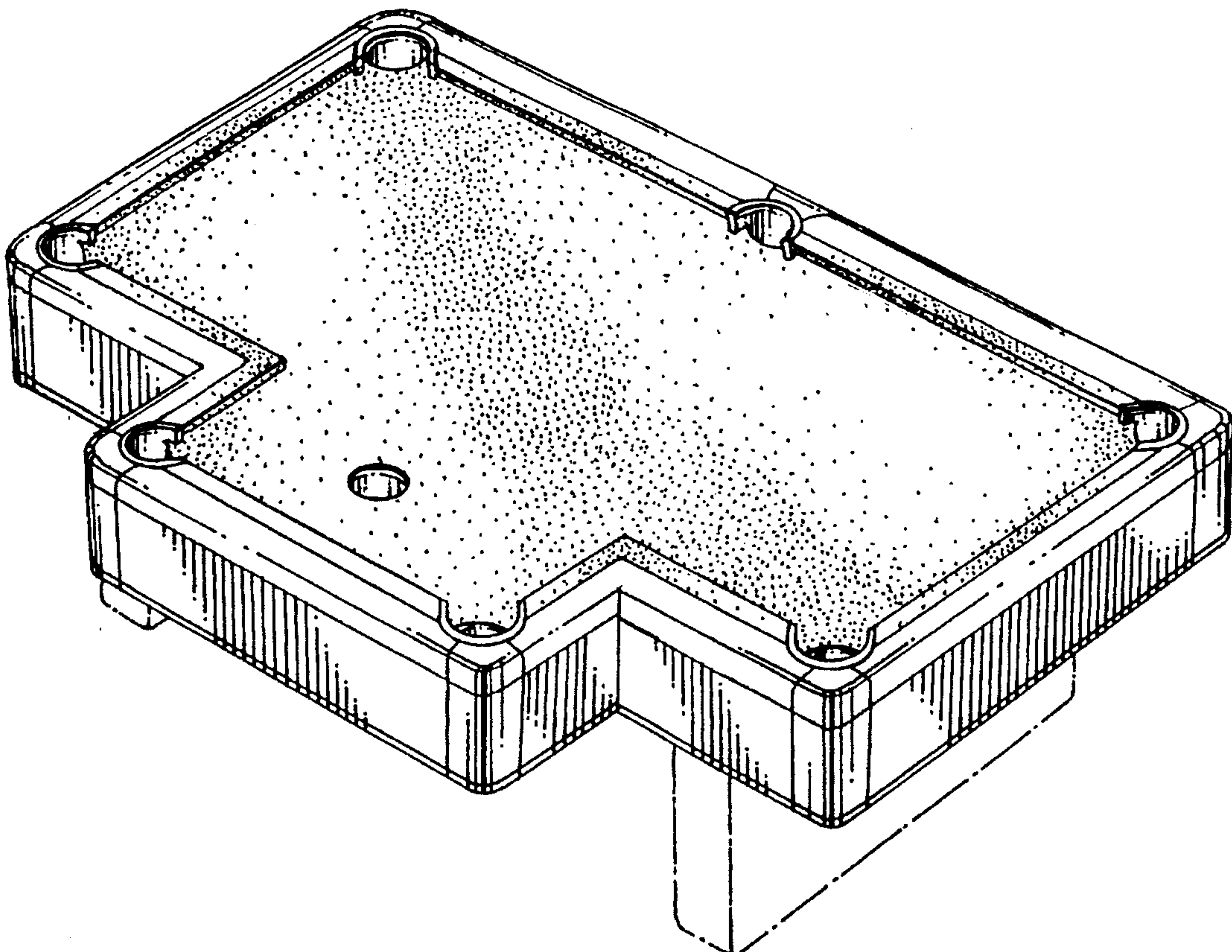
FIG. 1 is a perspective view of the pool table with center projection, showing our new design;
FIG. 2 is a top plan of the pool table with center projection;
FIG. 3 is a bottom plan thereof;
FIG. 4 is a right side elevation thereof;
FIG. 5 is a left side elevation thereof;
FIG. 6 is a front elevation thereof; and,
FIG. 7 is a rear elevation of the pool table with center projection illustrated in FIGS. 1-6.
The broken line showing of pool supports is for illustrative purpose and forms no part of the claim.
FIGS. 3-7 inclusive are shown in reduced scale.

D. 275,507	9/1984	Kramer et al.	D21/232
D. 282,096	1/1986	Levand	D21/232
D. 359,787	6/1995	Cooper	D21/232
3,360,265	12/1967	Yabroudy .	
3,917,264	11/1975	Davidson et al.	473/2
3,985,355	10/1976	Shoemaker	473/18
4,431,186	2/1984	Gold	473/18
4,834,384	5/1989	Cortesi	473/18 X
4,844,457	7/1989	Webster .	
5,026,052	6/1991	Shelnutt	473/18

FOREIGN PATENT DOCUMENTS

63517	2/1914	Austria	473/18
-------	--------	---------------	--------

1 Claim, 2 Drawing Sheets



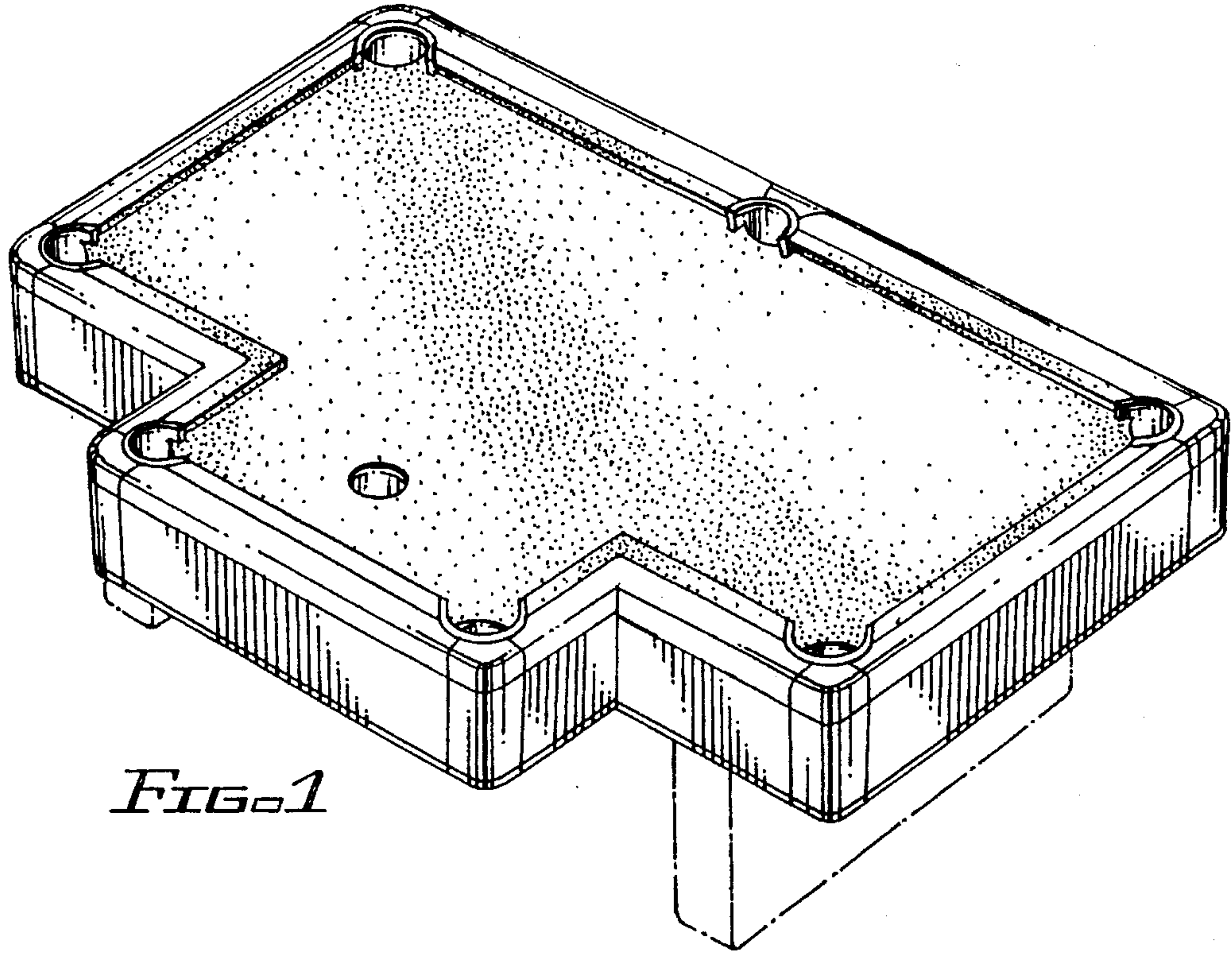


FIG. 1

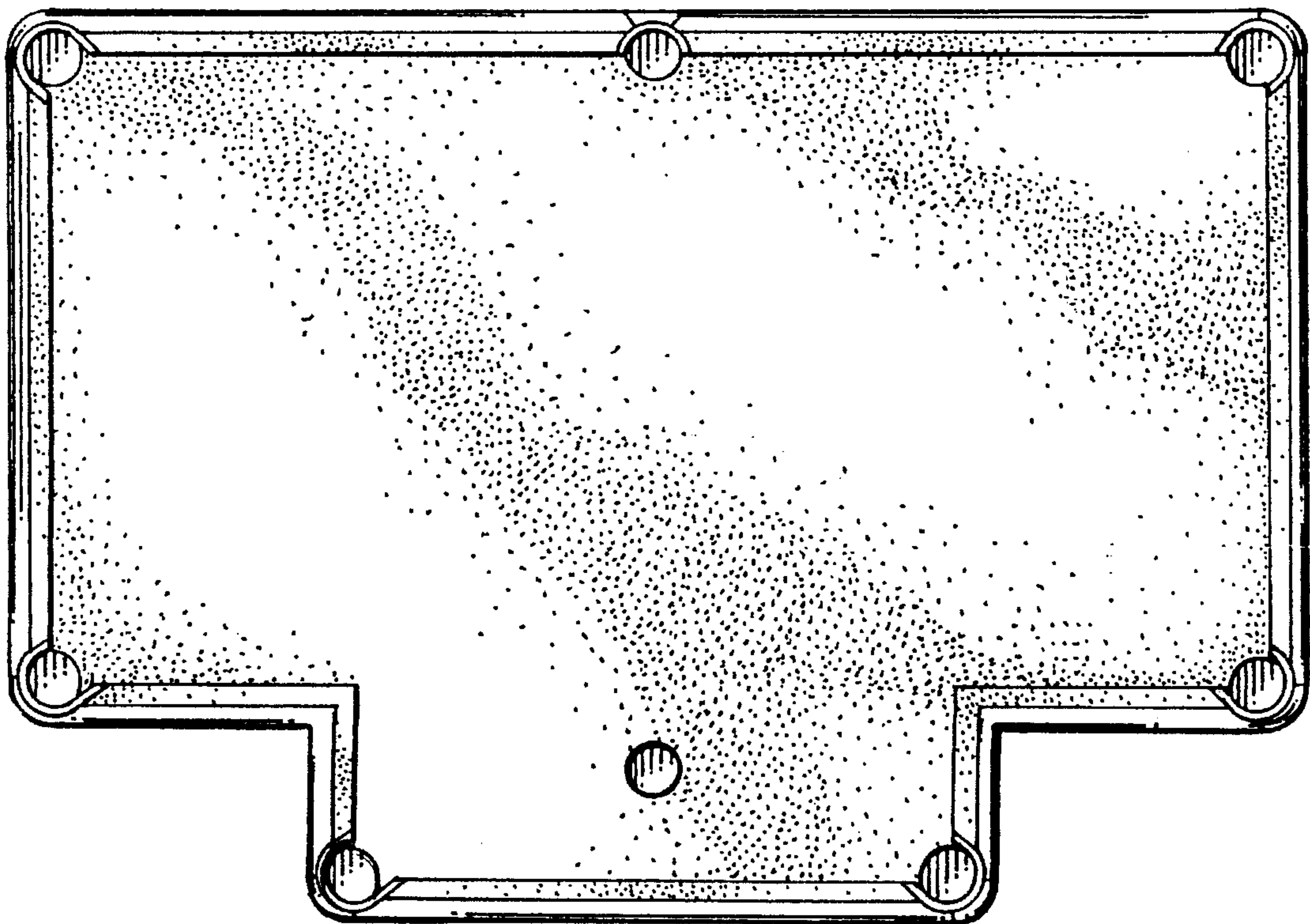


FIG. 2

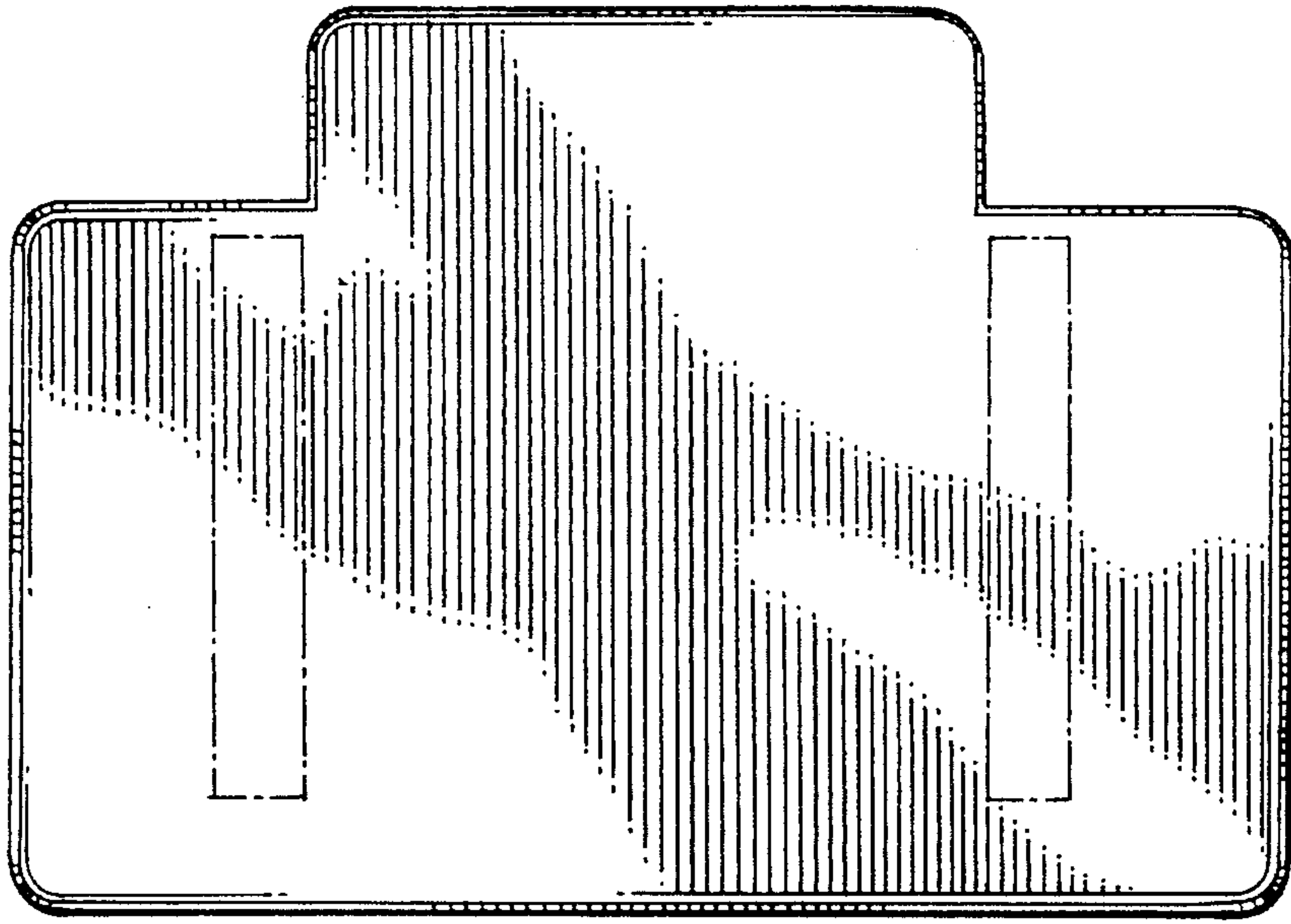


FIG. 3

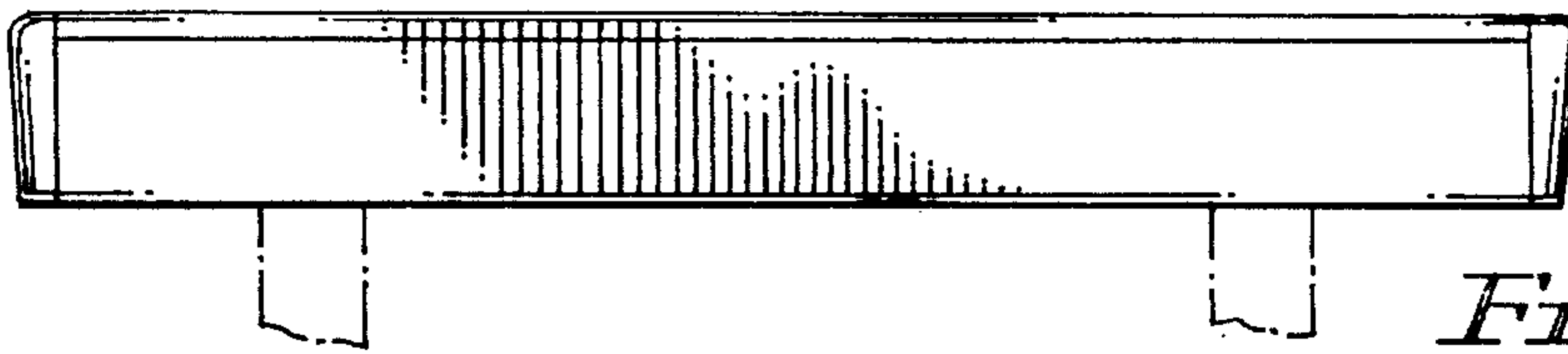


FIG. 4

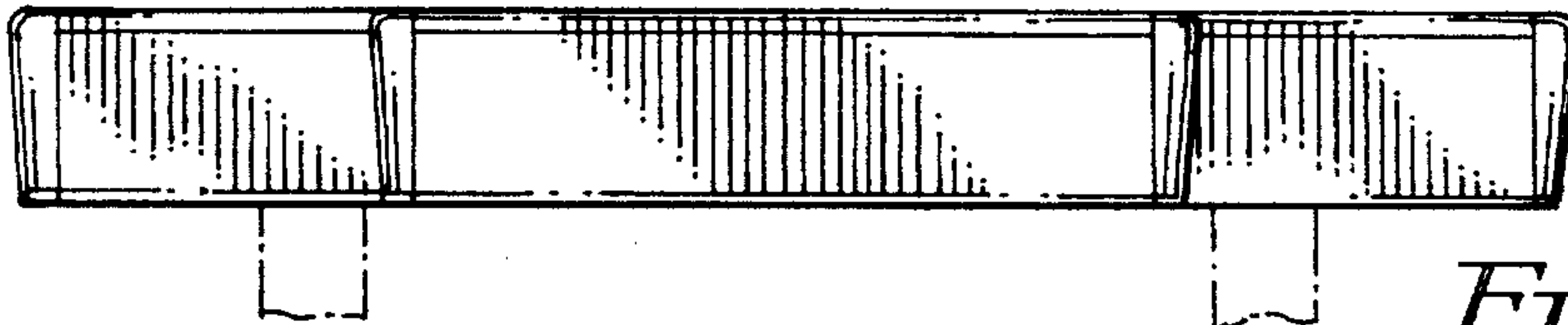


FIG. 5

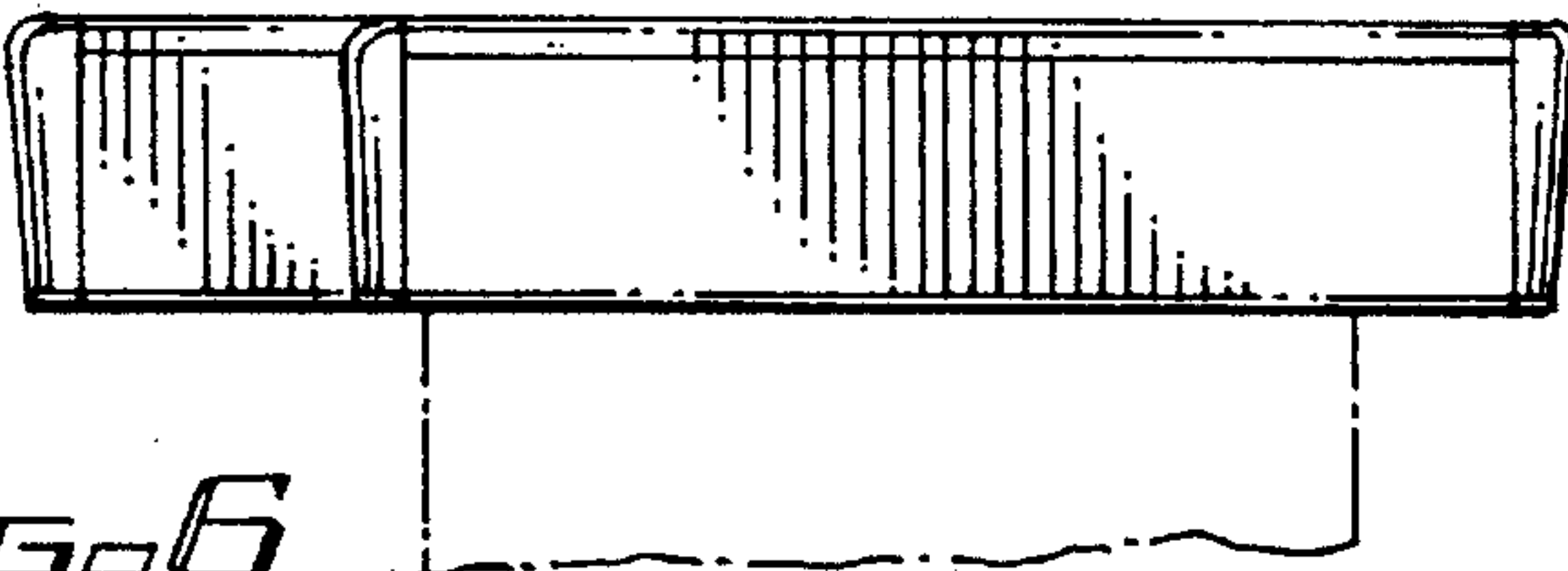


FIG. 6

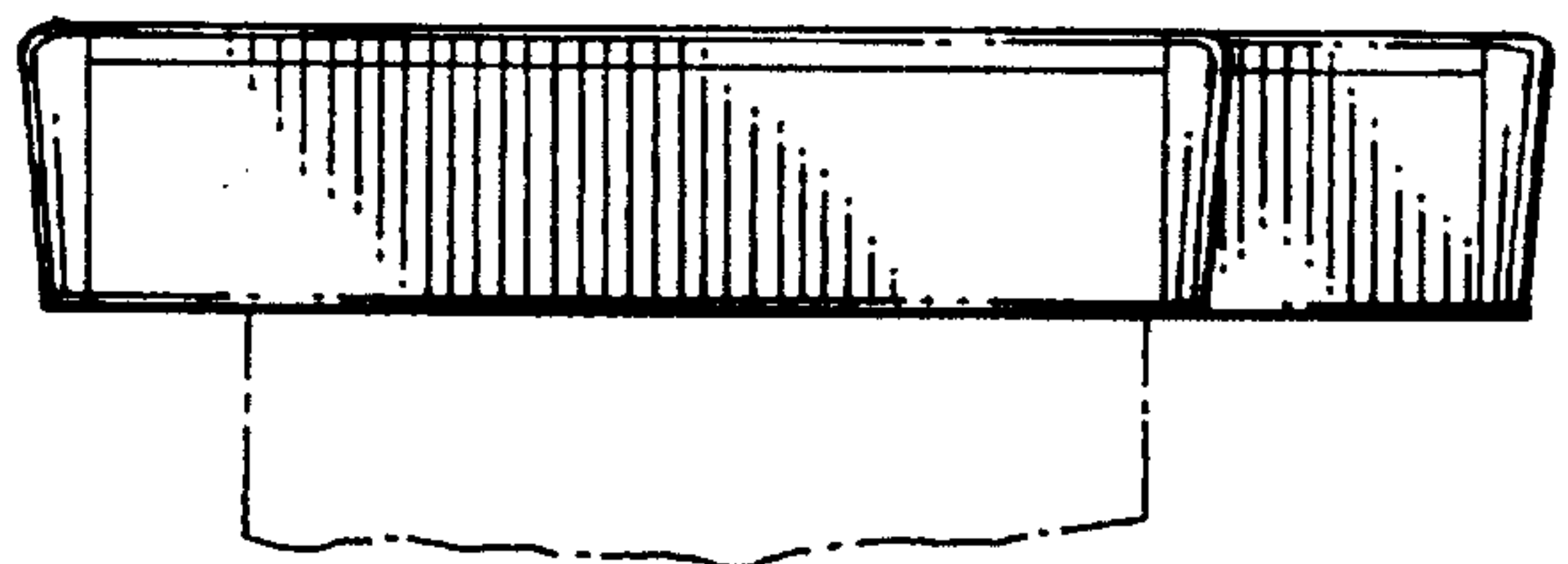


FIG. 7