



US00D374470S

United States Patent [19]

Steele

[11] Patent Number: **Des. 374,470**

[45] Date of Patent: ****Oct. 8, 1996**

[54] **GOLF PUTTER**

[76] Inventor: **Jack F. Steele**, 929 N. Astor St., Unit 1201, Milwaukee, Wis. 53202

[**] Term: **14 Years**

[21] Appl. No.: **36,118**

[22] Filed: **Mar. 13, 1995**

[52] U.S. Cl. **D21/217**

[58] Field of Search **D21/217-219; 273/167-175**

- 5,160,141 11/1992 Crews .
- 5,176,379 1/1993 Reinberg .
- 5,213,332 5/1993 Fahy et al. .
- 5,253,868 10/1993 Baumann et al. .
- 5,267,733 12/1993 Szokola .
- 5,333,863 8/1994 Shenoha et al. .
- 5,335,913 8/1994 White .
- 5,340,104 8/1994 Griffin .
- 5,340,106 8/1994 Ravaris .
- 5,344,141 9/1994 Smith .
- 5,390,920 2/1995 Nickum .

Primary Examiner—Ted Shooman
Assistant Examiner—Mitchell I. Siegel
Attorney, Agent, or Firm—Andrus, Scales, Starke & Sawall

[56] **References Cited**

U.S. PATENT DOCUMENTS

- Re. 33,169 2/1990 Leek .
- 193,897 10/1962 Vachon .
- D. 337,803 7/1993 Sillers D21/219
- D. 337,804 7/1993 Sauber D21/219
- D. 342,112 12/1993 Diesterheft D21/219
- D. 356,846 3/1995 Murrill D21/219
- 792,631 6/1905 Taylor .
- 2,478,468 8/1949 Drake .
- 3,462,155 8/1969 Pelz .
- 3,574,349 4/1971 Kropp .
- 3,679,207 7/1972 Florian .
- 3,815,910 6/1974 Raines .
- 3,881,733 5/1975 Csermits .
- 4,227,694 10/1980 Drake .
- 4,390,184 6/1983 Rudell 273/164.1 X
- 4,519,612 5/1985 Tsao 273/167 A X
- 4,523,758 6/1985 Guendling, Jr. .
- 4,605,228 8/1986 Guendling, Jr. .
- 4,964,639 10/1990 Tucker .
- 5,116,047 5/1992 Phelan et al. .
- 5,125,657 6/1992 Beil .

[57] **CLAIM**

The ornamental design for a golf putter, as shown and described.

DESCRIPTION

FIG. 1 is a perspective view of a golf putter showing my new design, shown without the shaft and handle for clarity of illustration;

FIG. 2 is a front view thereof;

FIG. 3 is a top view thereof;

FIG. 4 is a side view thereof;

FIG. 5 is a rear view thereof;

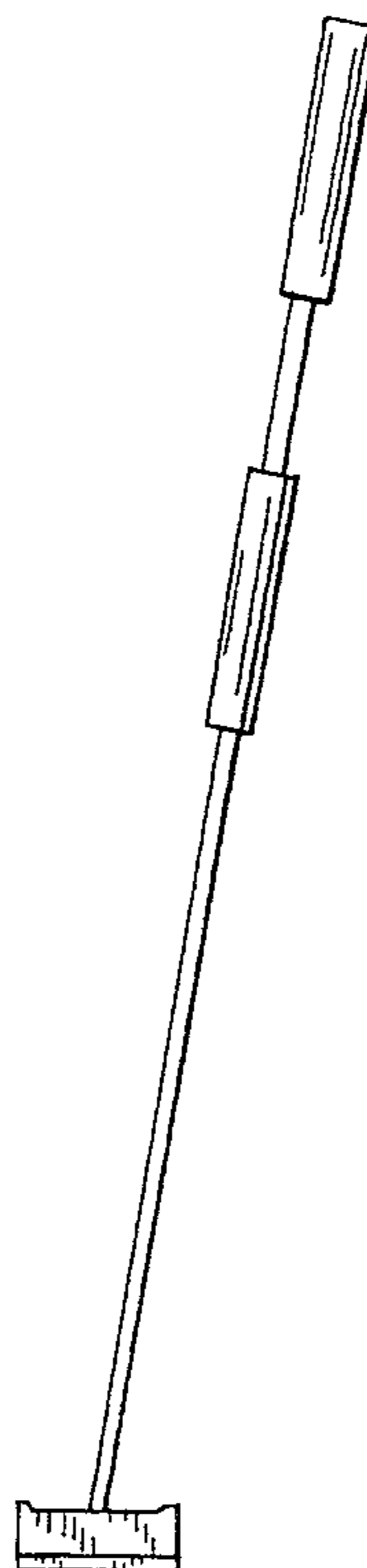
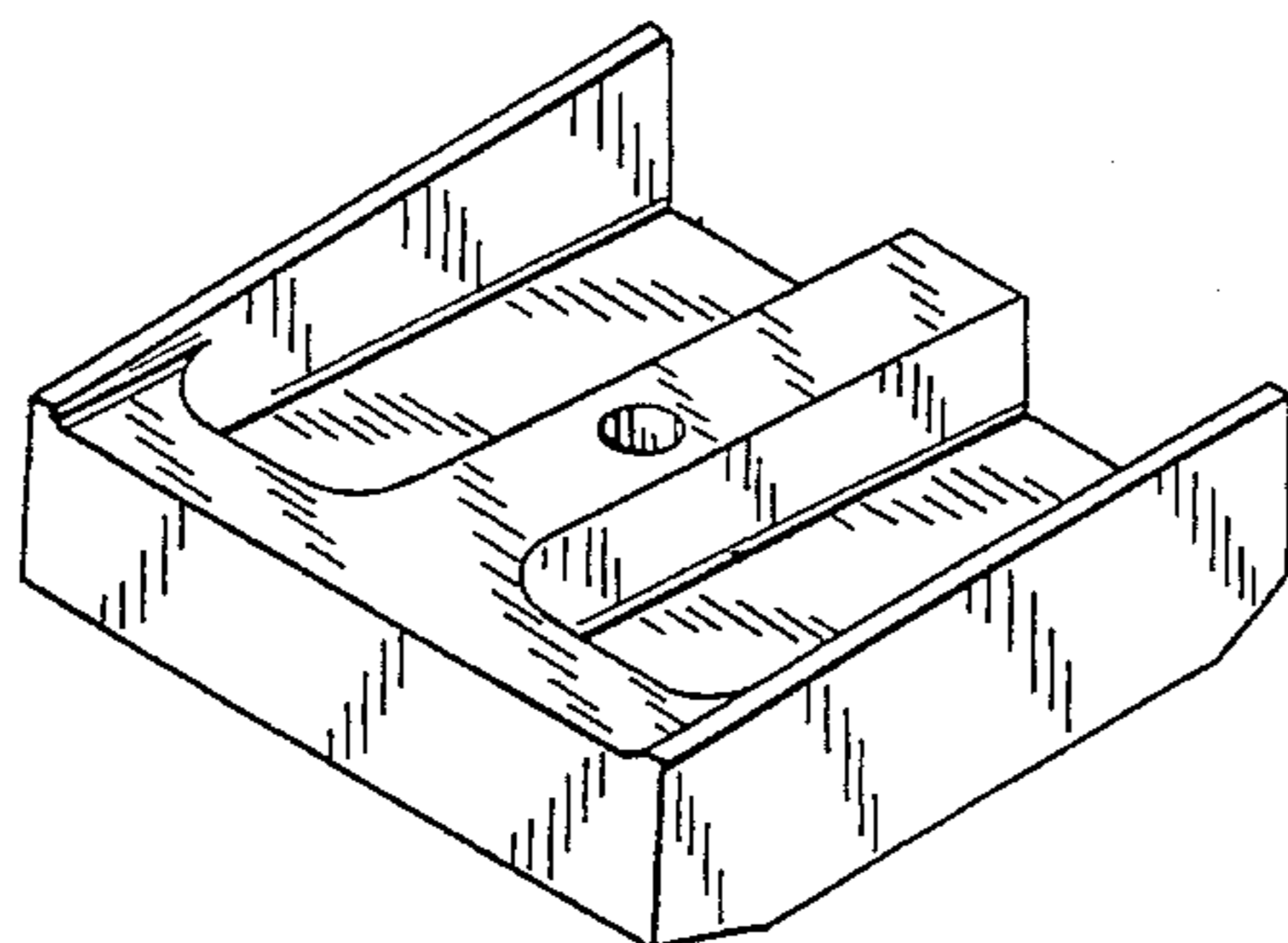
FIG. 6 is a bottom view thereof;

FIG. 7 is a top plan view of a second embodiment of the golf club head as disclosed in FIG. 1, all other undisclosed sides being identical to the first embodiment;

FIG. 8 is a reduced front elevational view of FIG. 1; and,

FIG. 9 is a reduced front elevational view of FIG. 7.

1 Claim, 3 Drawing Sheets



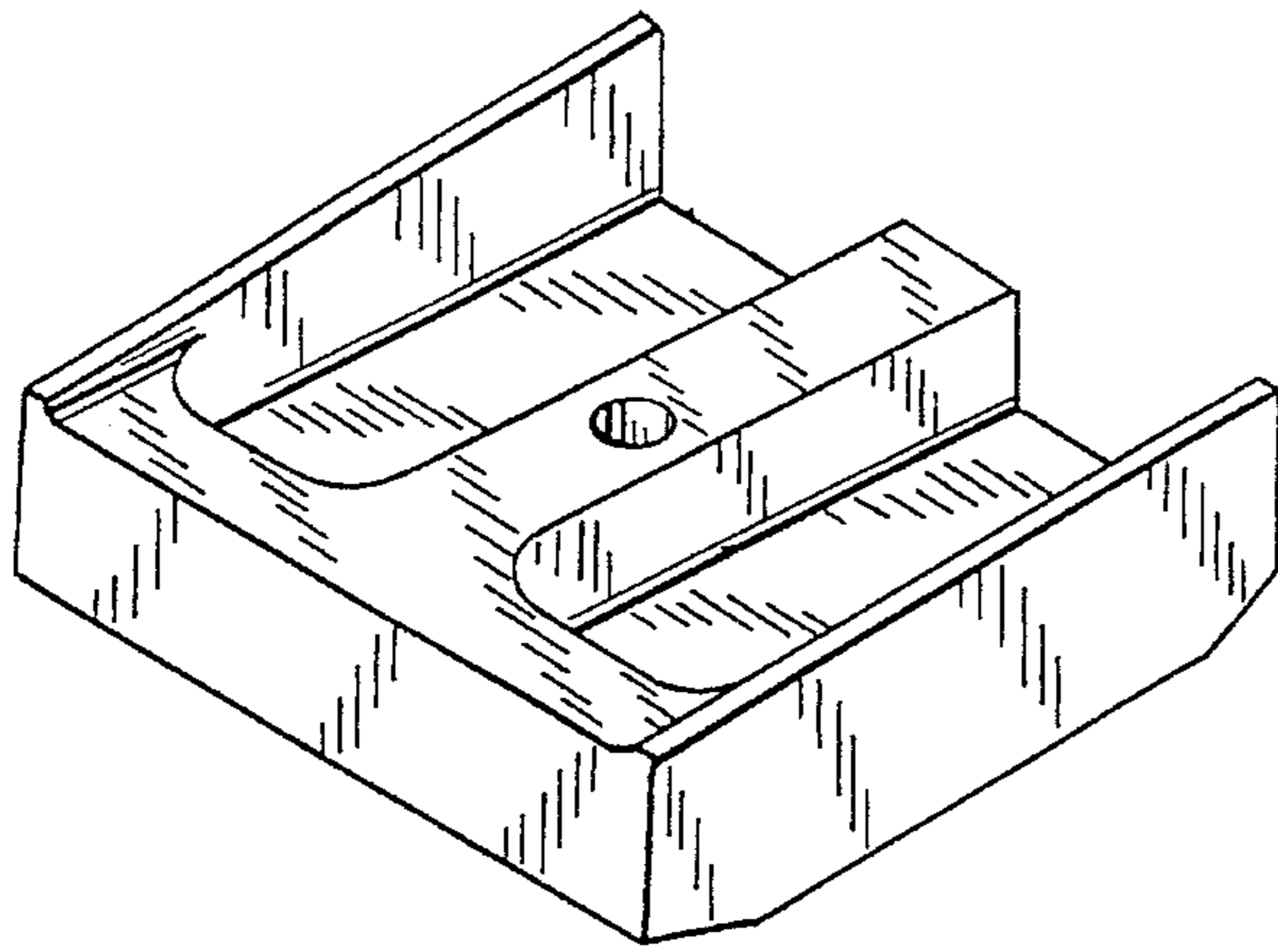


FIG. 1

FIG. 2

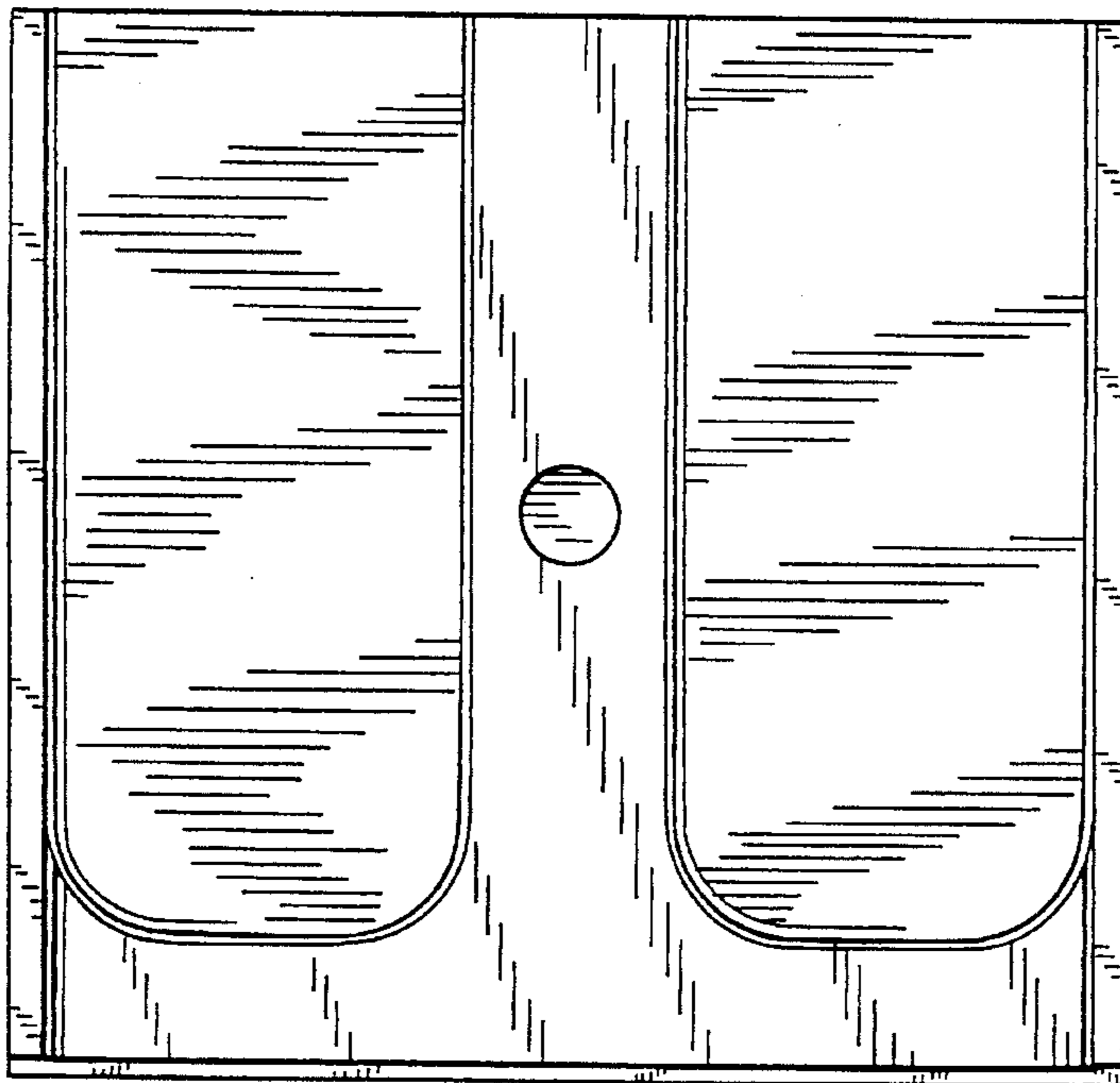
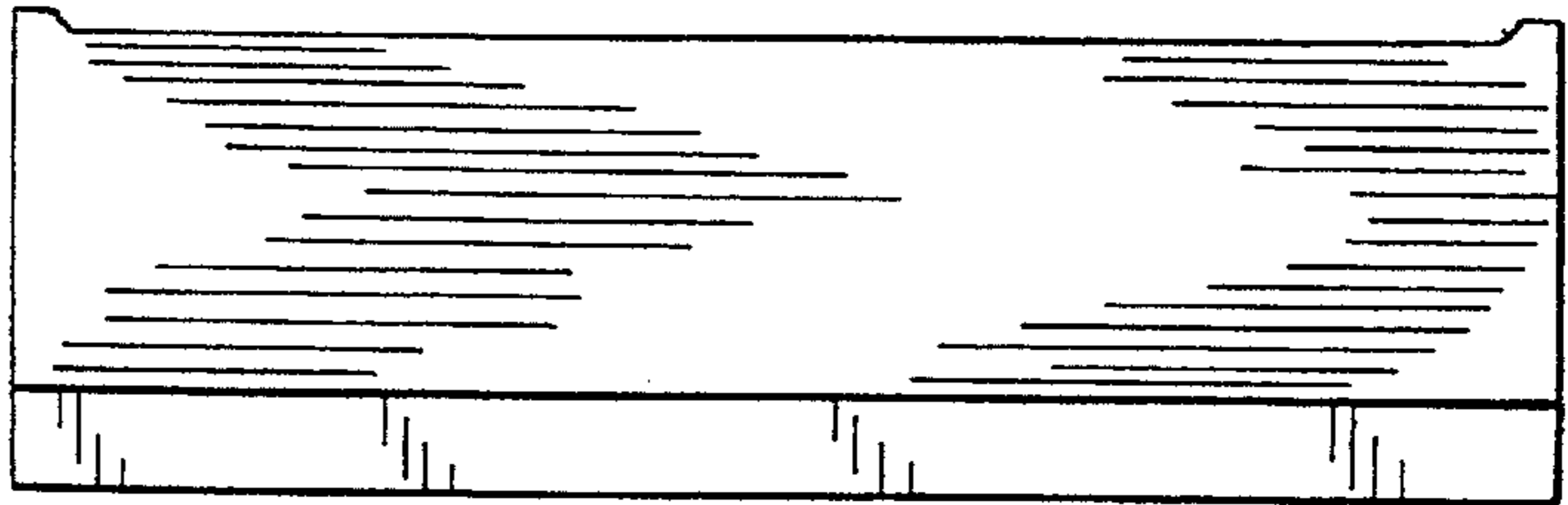


FIG. 3

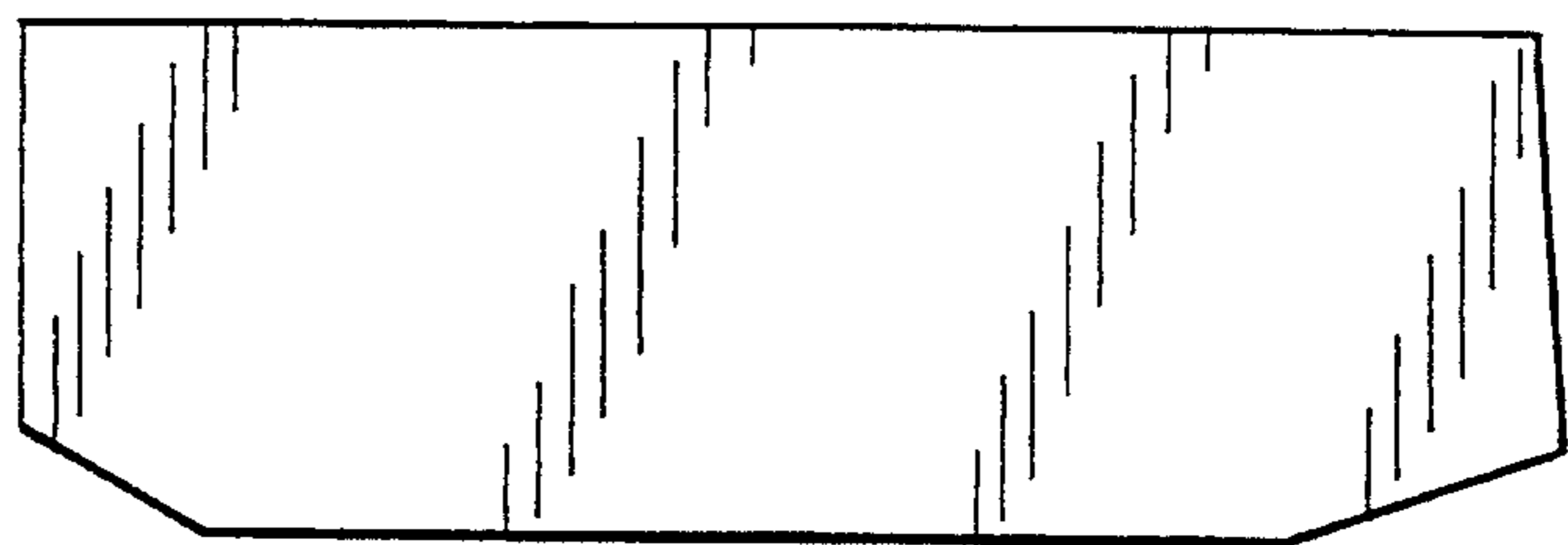


FIG. 4

FIG. 5

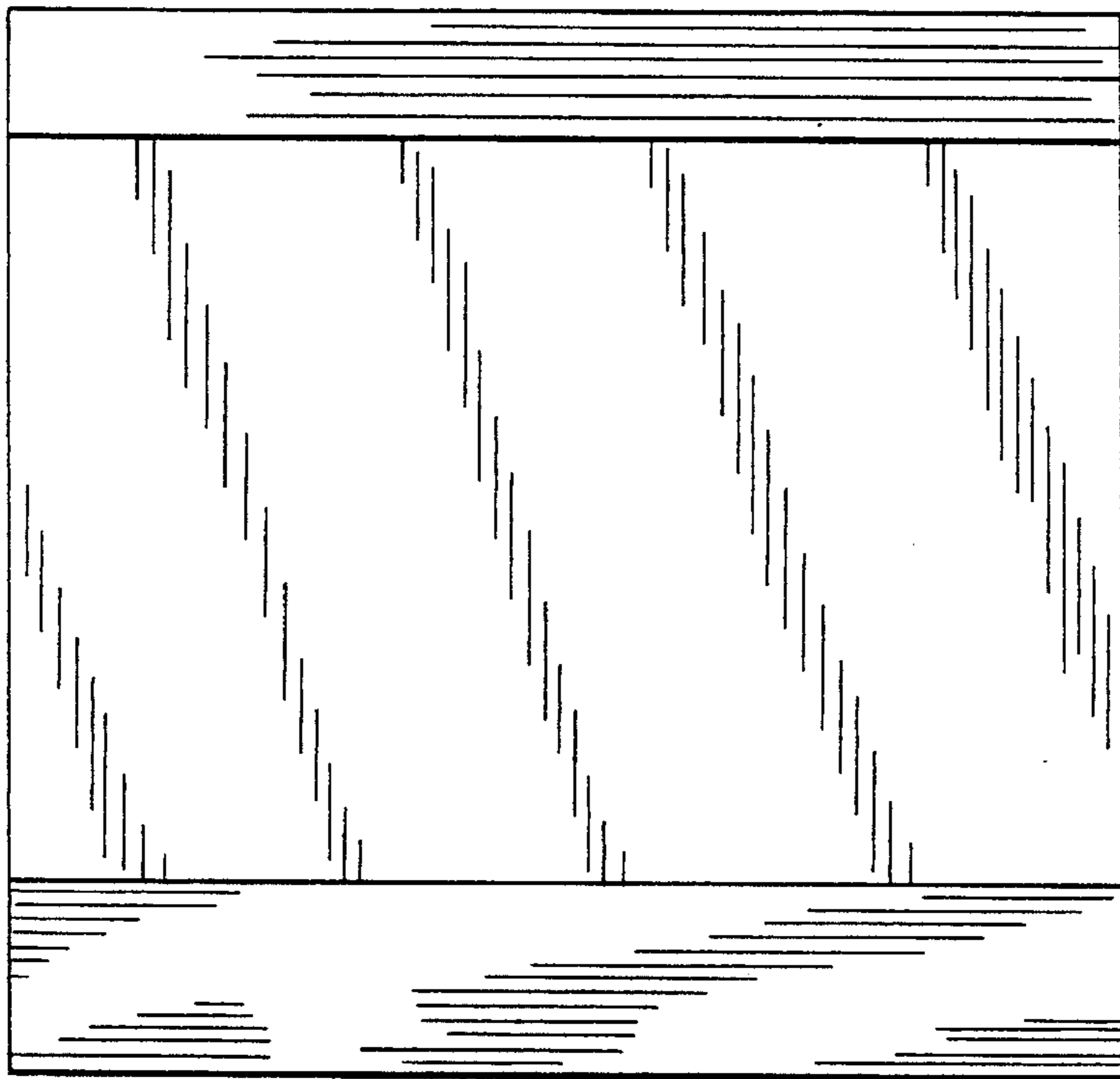
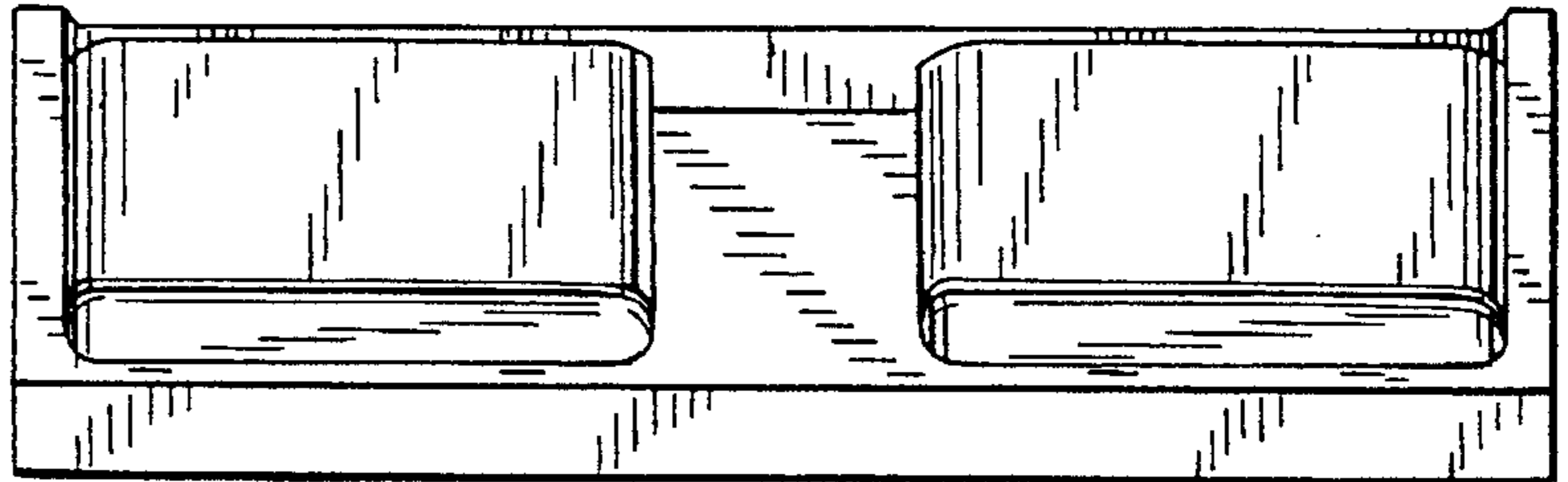


FIG. 6

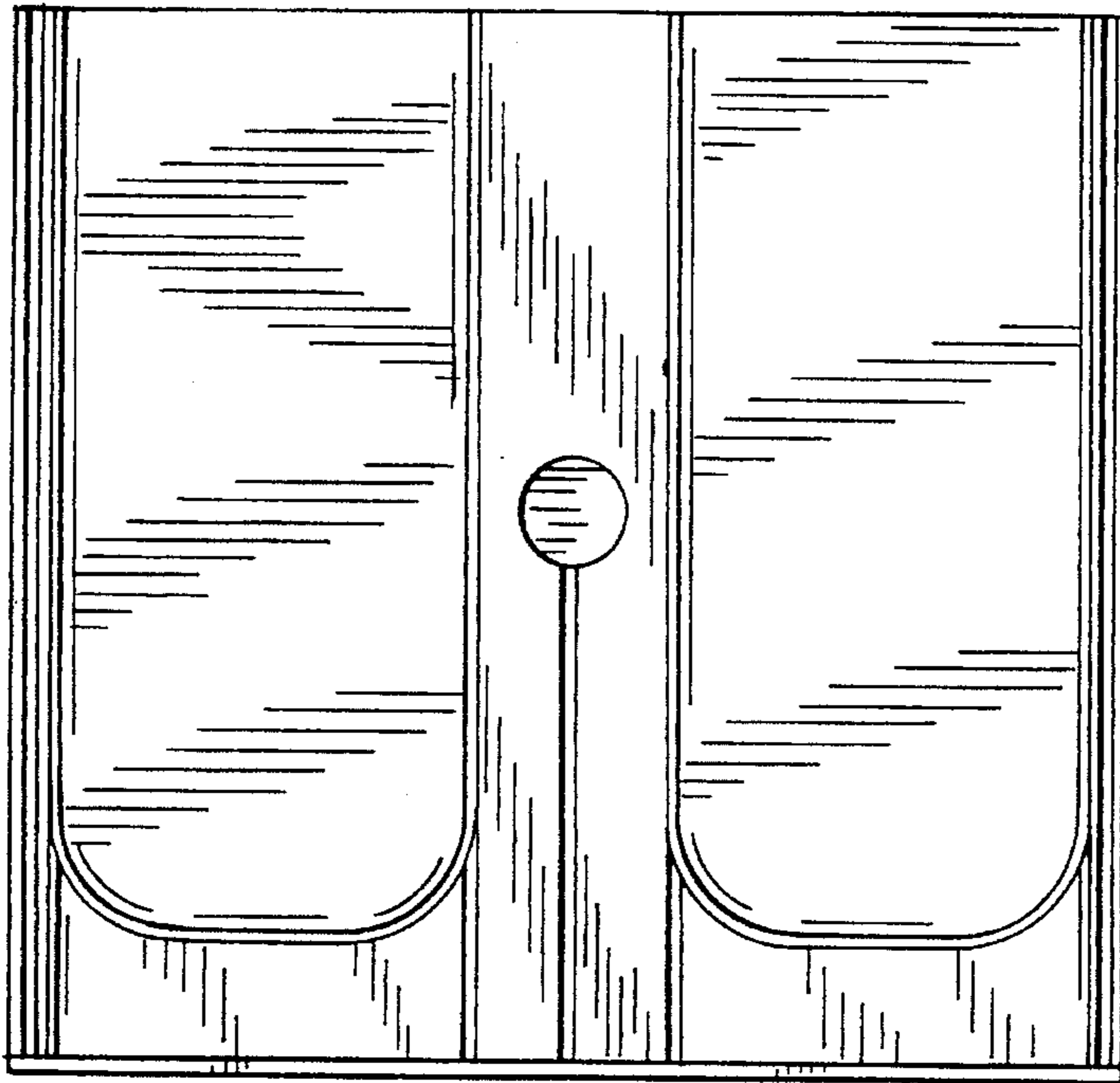


FIG. 7

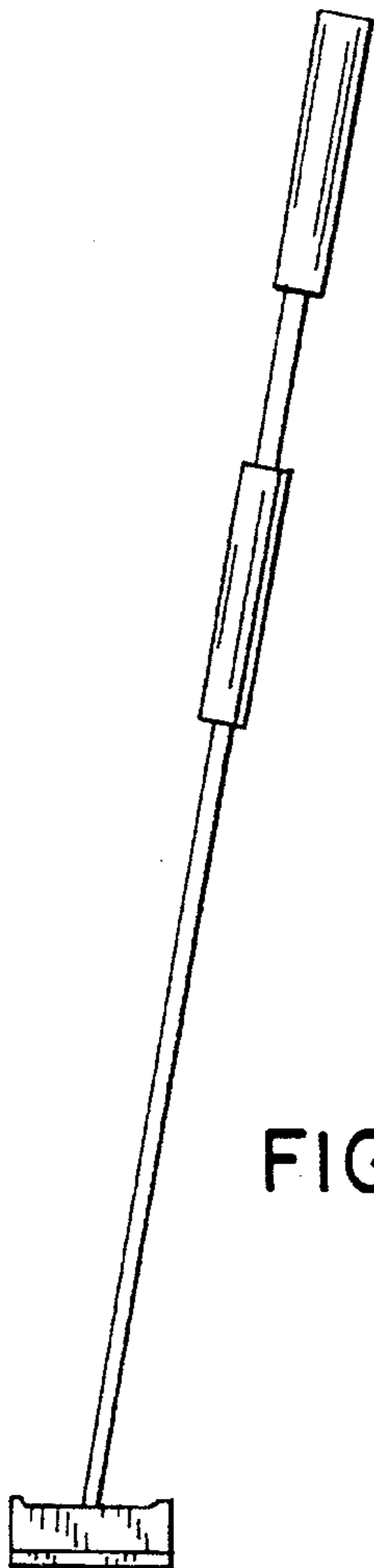


FIG. 8

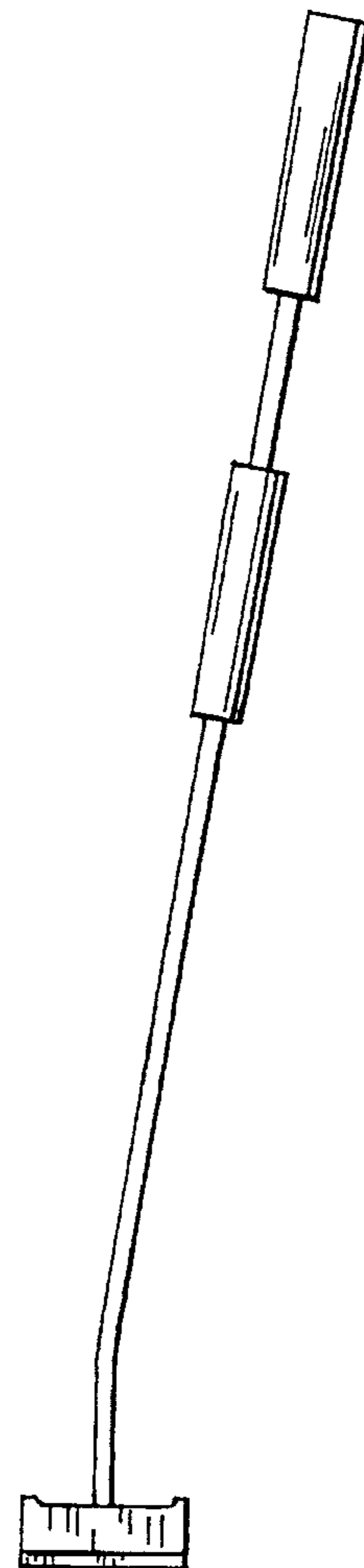


FIG. 9