



US00D374469S

United States Patent [19]

Barra

[11] Patent Number: **Des. 374,469**

[45] Date of Patent: ****Oct. 8, 1996**

[54] HAND EXERCISER

[76] Inventor: **David J. Barra**, P.O. Box 171, Tillson, N.Y. 12486

[**] Term: **14 Years**

[21] Appl. No.: **36,749**

[22] Filed: **Mar. 27, 1995**

[52] U.S. Cl. **D21/198**

[58] Field of Search **D21/191, 198;**
482/44, 47, 49, 121, 122, 124

[56] References Cited

U.S. PATENT DOCUMENTS

4,815,729	3/1989	Stefanski	482/124
5,325,596	7/1994	Baker	30/160
5,445,582	8/1995	Brown	482/47
5,447,490	9/1995	Fula et al.	482/47

OTHER PUBLICATIONS

Black Belt Magazine, 1993, Eagle Catcher Hand Exerciser in AWMA Ad.

Primary Examiner—Philip S. Hyder
Attorney, Agent, or Firm—Harold H. Dutton, Jr.; W. Charles L. Jamison; Diane F. Liebman

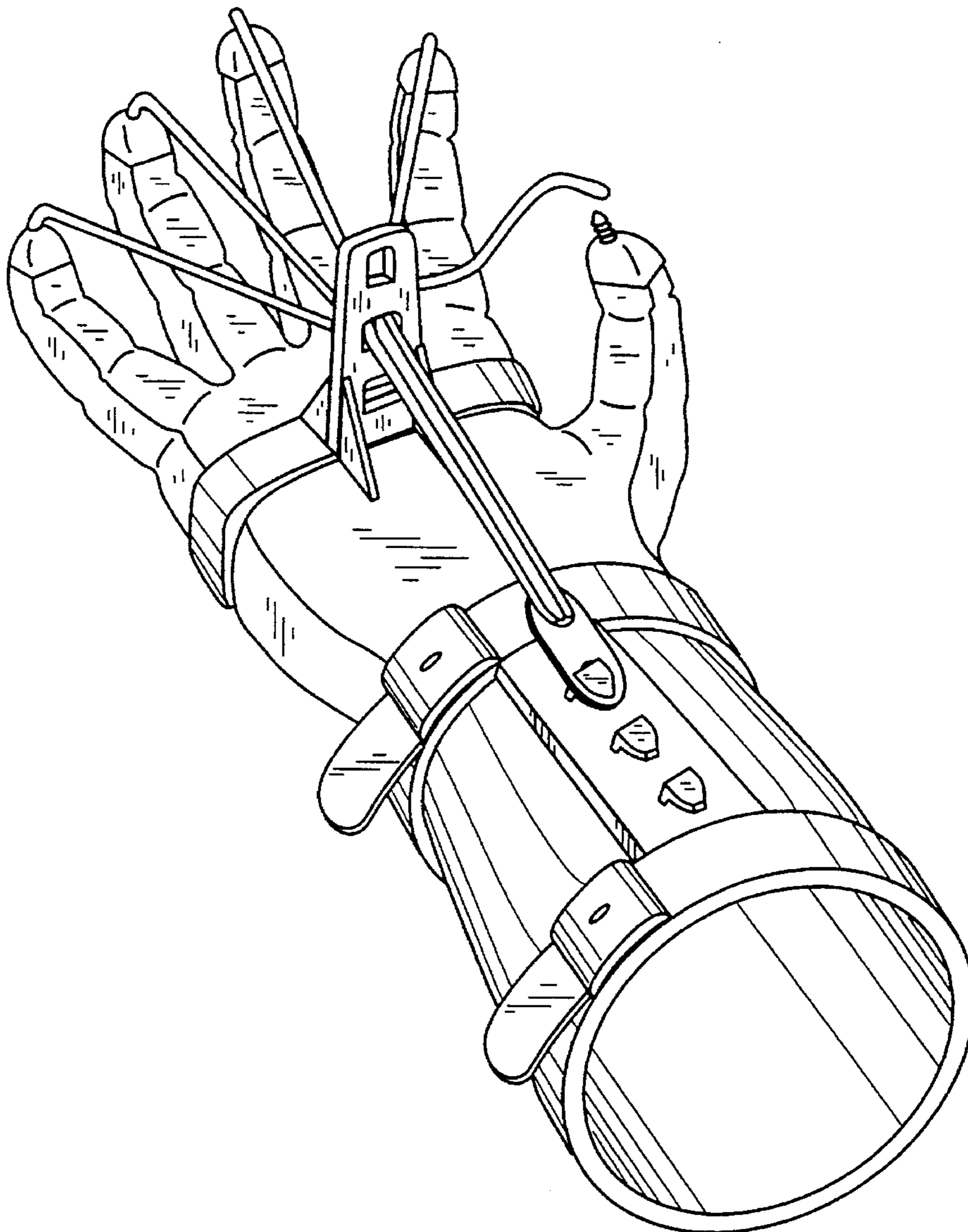
[57] CLAIM

The ornamental design for a hand exerciser, as shown.

DESCRIPTION

FIG. 1 is a front perspective view of a hand exerciser shown in a partially disassembled state showing my new design; FIG. 2 is a rear view thereof; FIG. 3 is a left side view thereof; FIG. 4 is a right side view thereof; FIG. 5 is a front end view thereof; and, FIG. 6 is a rear end view thereof.

1 Claim, 4 Drawing Sheets



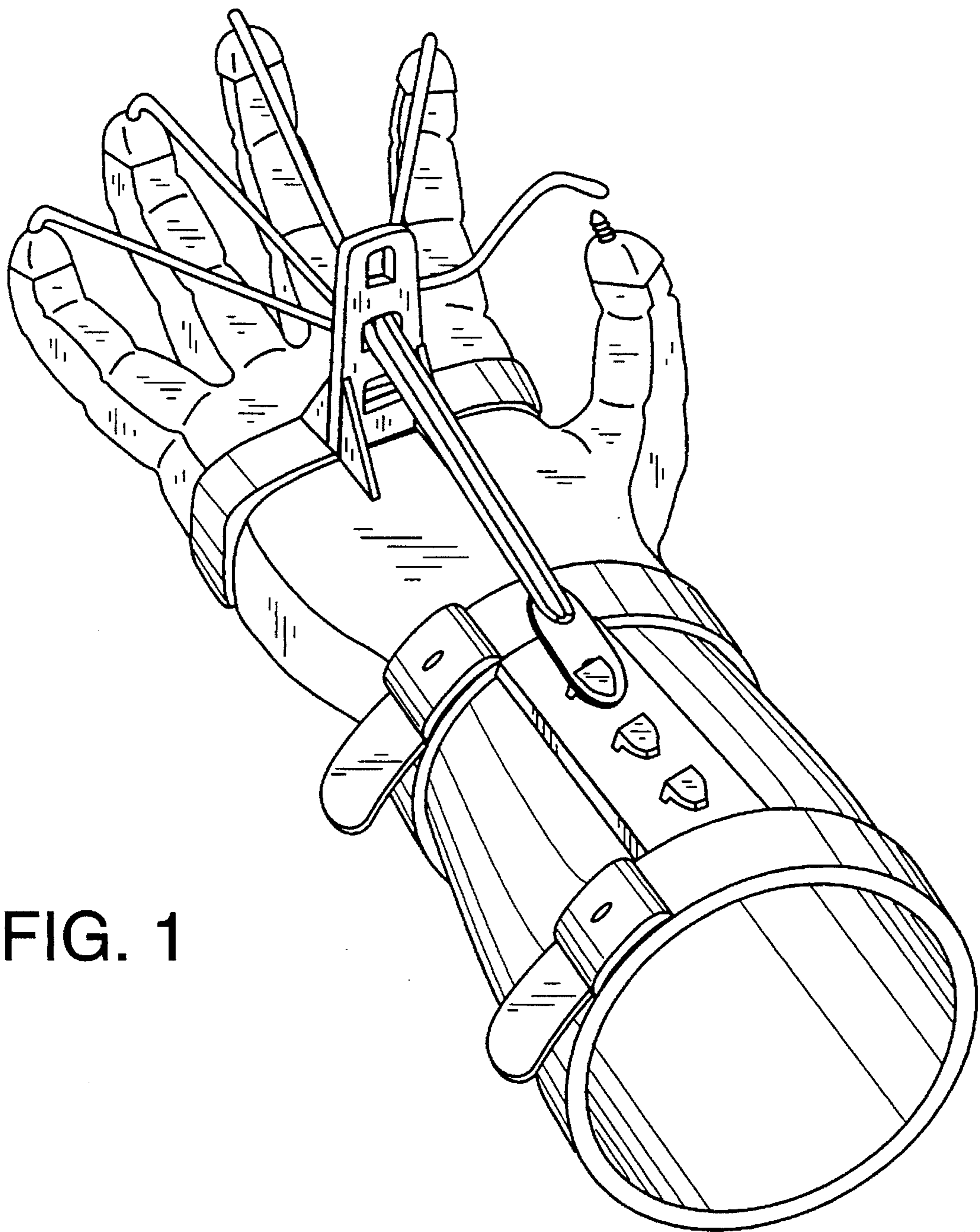


FIG. 1

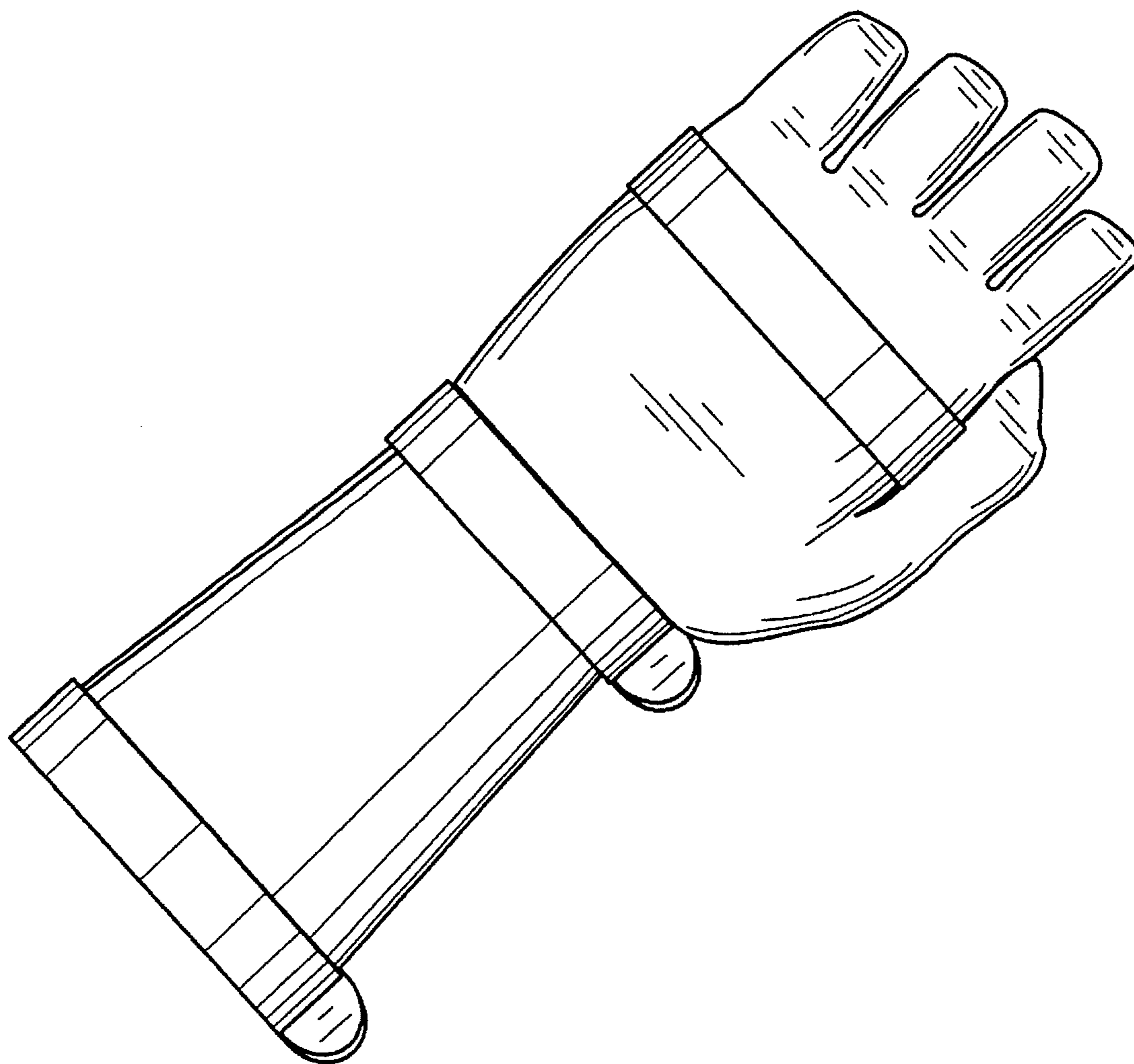


FIG. 2

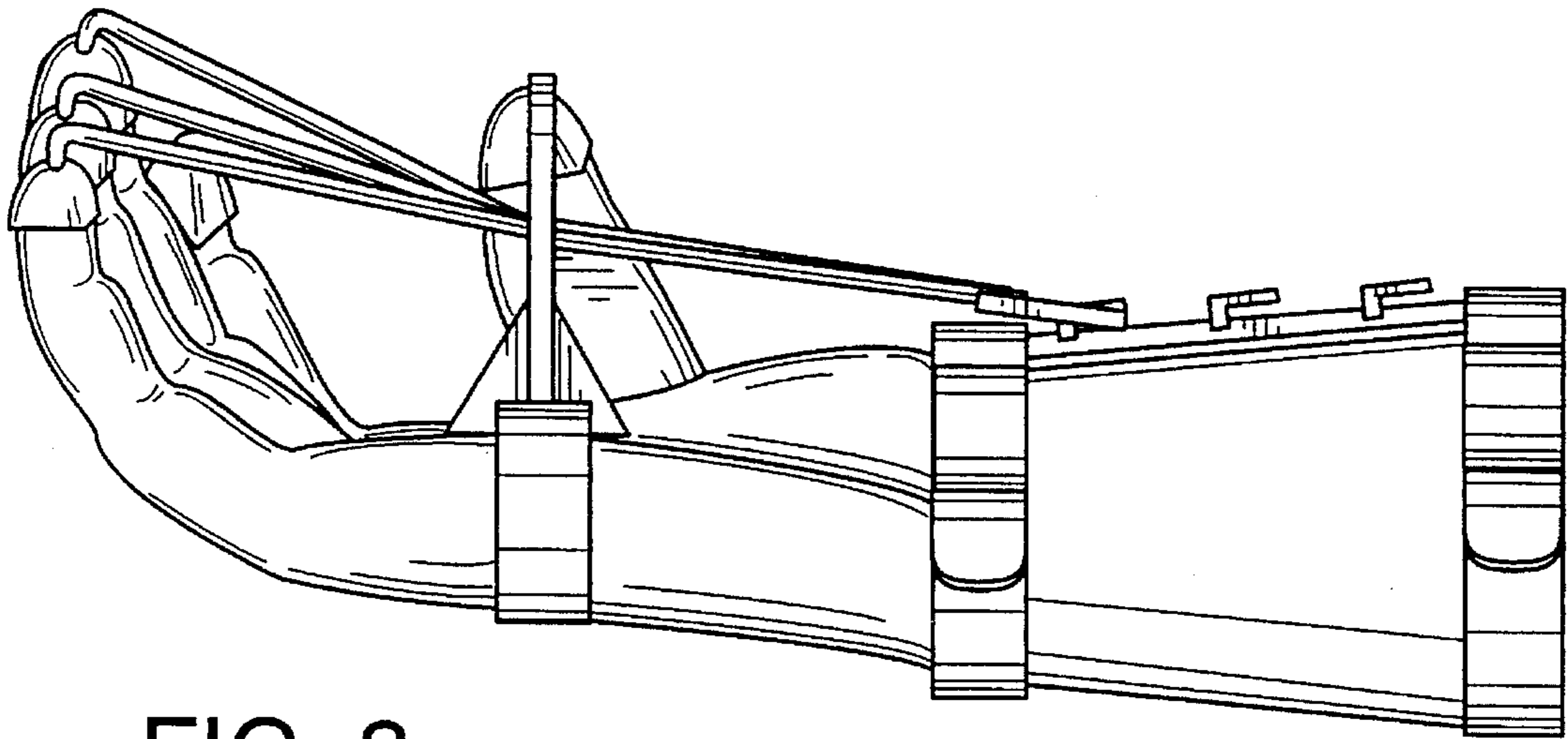


FIG. 3

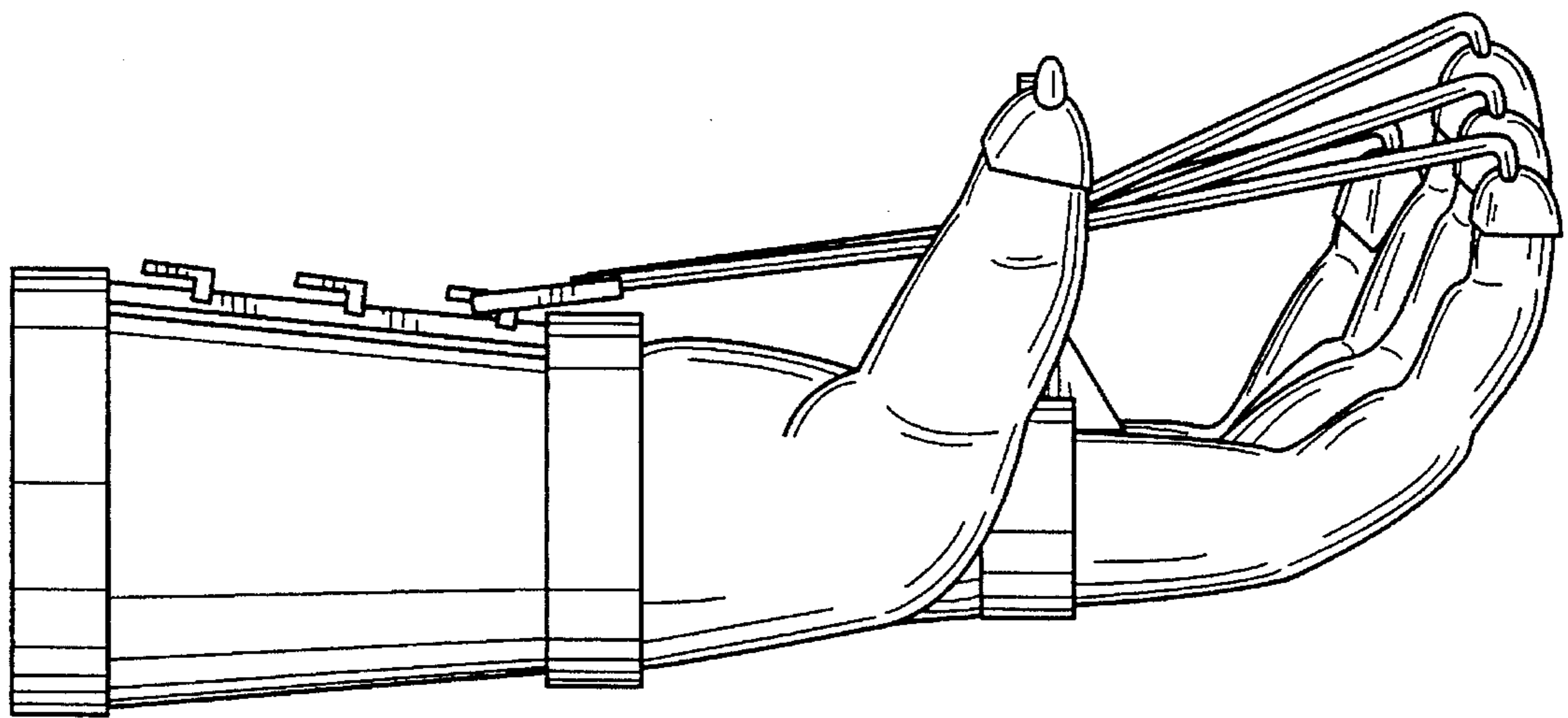


FIG. 4

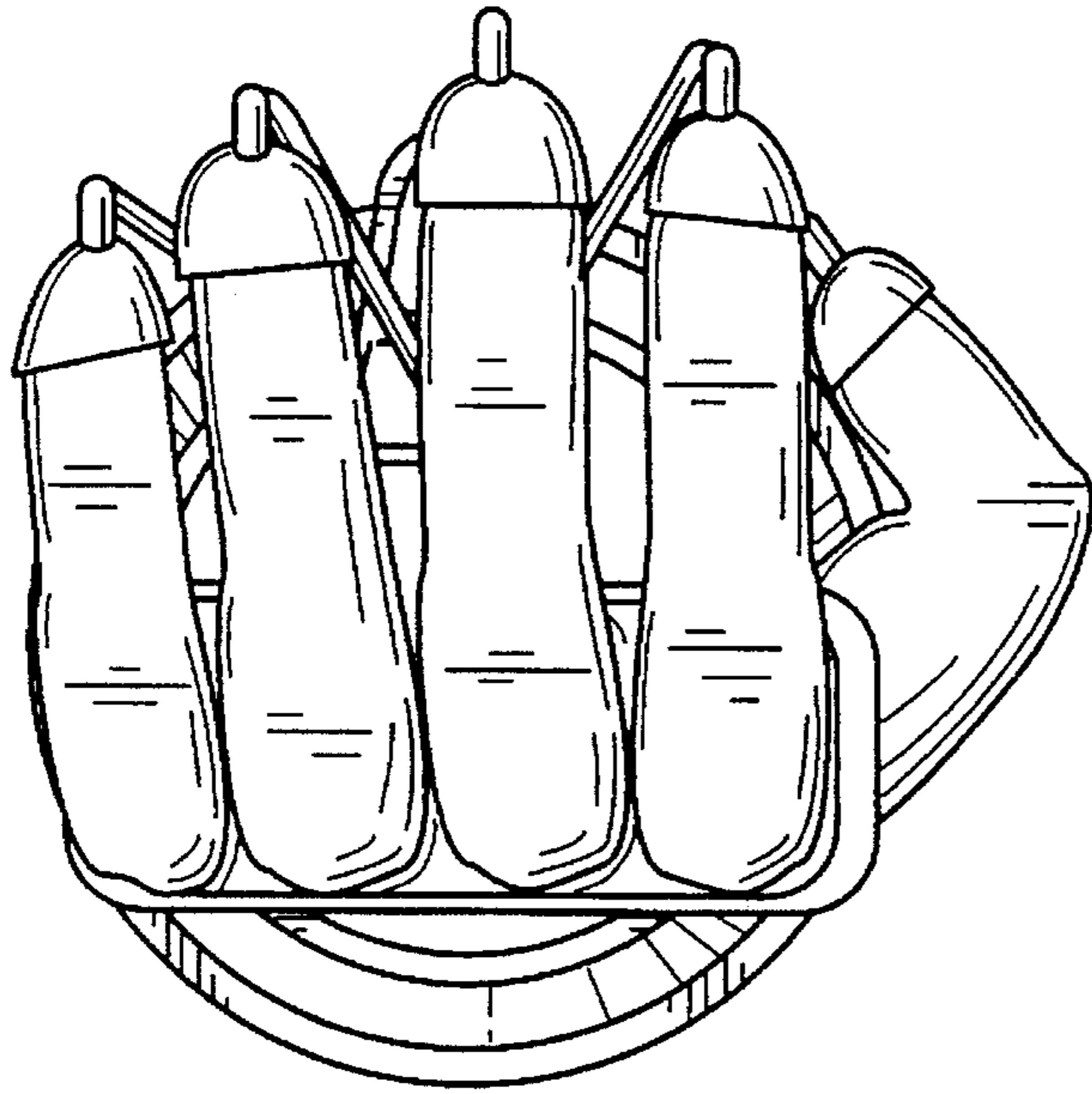


FIG. 5

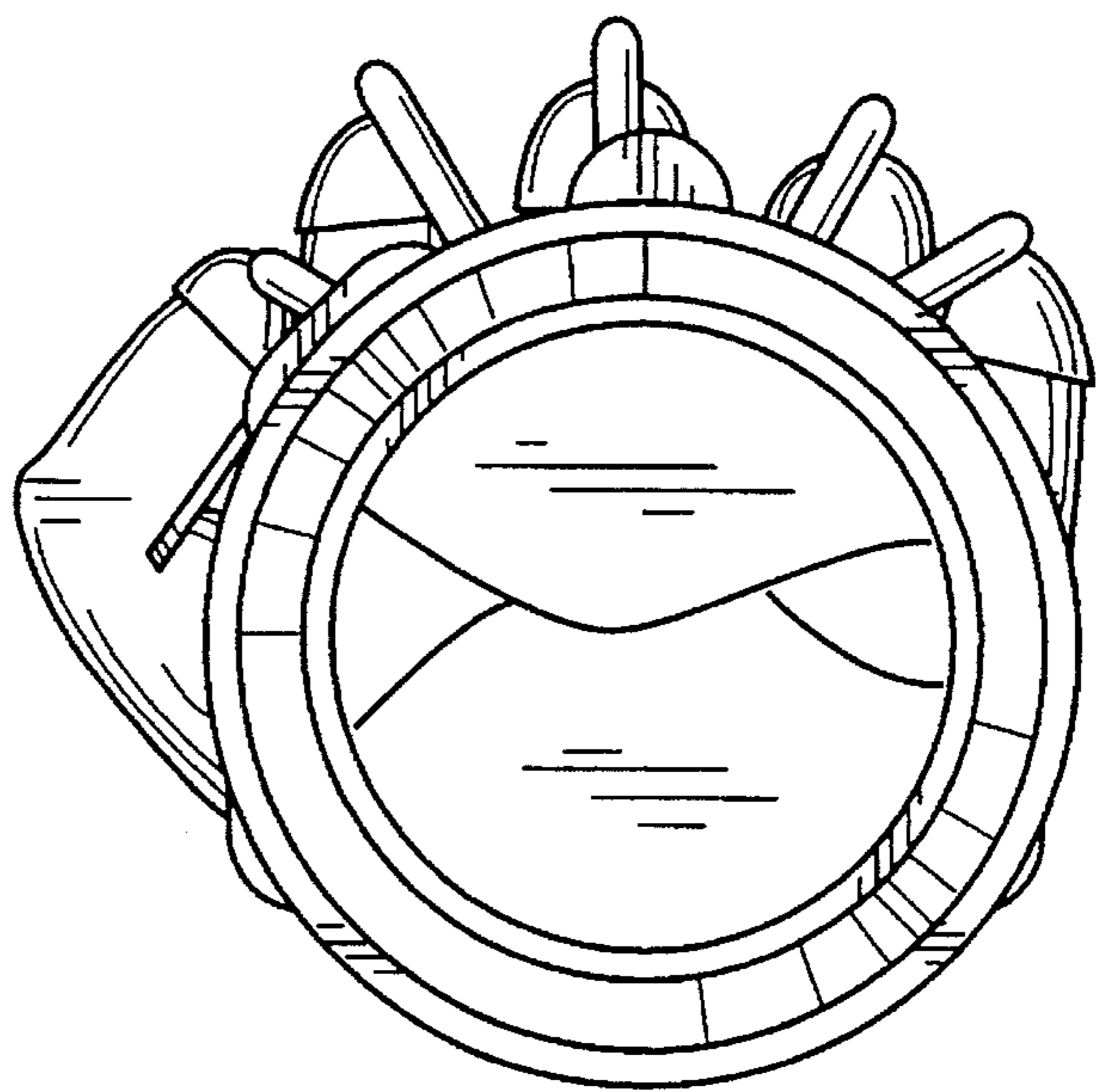


FIG. 6