



US00D374467S

# United States Patent [19]

[11] Patent Number: **Des. 374,467**

**Cziraky et al.**

[45] Date of Patent: **\*\*Oct. 8, 1996**

[54] **COMBINED TOY BOAT AND CONTAINER FOR WRITING INSTRUMENTS**

[75] Inventors: **David A. Cziraky; Nancy A. DeBellis; Heather D. Semple**, all of Bethlehem, Pa.

[73] Assignee: **Binney & Smith Inc.**, Easton, Pa.

[\*\*] Term: **14 Years**

[21] Appl. No.: **32,847**

[22] Filed: **Dec. 30, 1994**

[52] U.S. Cl. .... **D21/130; D19/36; D9/309**

[58] Field of Search ..... **D21/130, 73; D9/309; D3/206; D19/35, 36; 446/6, 72, 76, 94, 153, 160**

[56] **References Cited**

**U.S. PATENT DOCUMENTS**

D. 198,945	8/1964	Plummer	.....	D9/309
D. 211,036	5/1968	Thornell	.....	D21/130
D. 250,728	1/1979	Satten	.....	D21/130
D. 311,557	10/1990	Thomson et al.	.....	D21/130
D. 332,967	2/1993	Oglesby	.....	D3/206
D. 337,136	7/1993	Murdough, Jr. et al.	.....	D21/130
D. 359,618	6/1995	Chen	.....	D21/130
3,126,669	3/1964	Gausewitz	.....	446/160
4,689,032	8/1987	Trossman	.....	446/153
4,787,874	11/1988	Hardy et al.	.....	446/76

**OTHER PUBLICATIONS**

Six photocopies of the box and five photographs of the box and product entitled "Toddler Totmobiles Vehicles" by the Little Tikes Company, Hudson, Ohio, ©1991.

Six photocopies of the box and four photographs of the box and product entitled "Floating Family" by Fischer-Price, East Aurora, New York ©1975, 1989, 1990.

Seven photocopies of the box and five photographs of the box and product entitled "Stack 'n Store Boats" by the Little Tikes Company, Hudson, Ohio ©1994.

Four photographs of a plastic boat by Greenwood Plastics, Inc., Asbury Park, New Jersey, date unknown, but applicant became aware of the boat in Jun. 1994.

*Primary Examiner*—Raphael Barkai  
*Attorney, Agent, or Firm*—Leydig, Voit & Mayer, Ltd.

[57] **CLAIM**

The ornamental design of a combined toy boat and container for writing instruments, as shown and described.

**DESCRIPTION**

FIG. 1 is a top right front perspective view of a combined toy boat and writing instrument container showing our new design;

FIG. 2 is the top plan view thereof;

FIG. 3 is a right side elevational view thereof;

FIG. 4 is a left side elevational view thereof;

FIG. 5 is the bottom plan view thereof;

FIG. 6 is the rear elevational view thereof;

FIG. 7 is the front elevational view thereof; and,

FIG. 8 is an exploded top right front perspective view thereof. The broken lines showing the writing instruments are for illustrative purposes only and form no part of the claimed design.

**1 Claim, 3 Drawing Sheets**

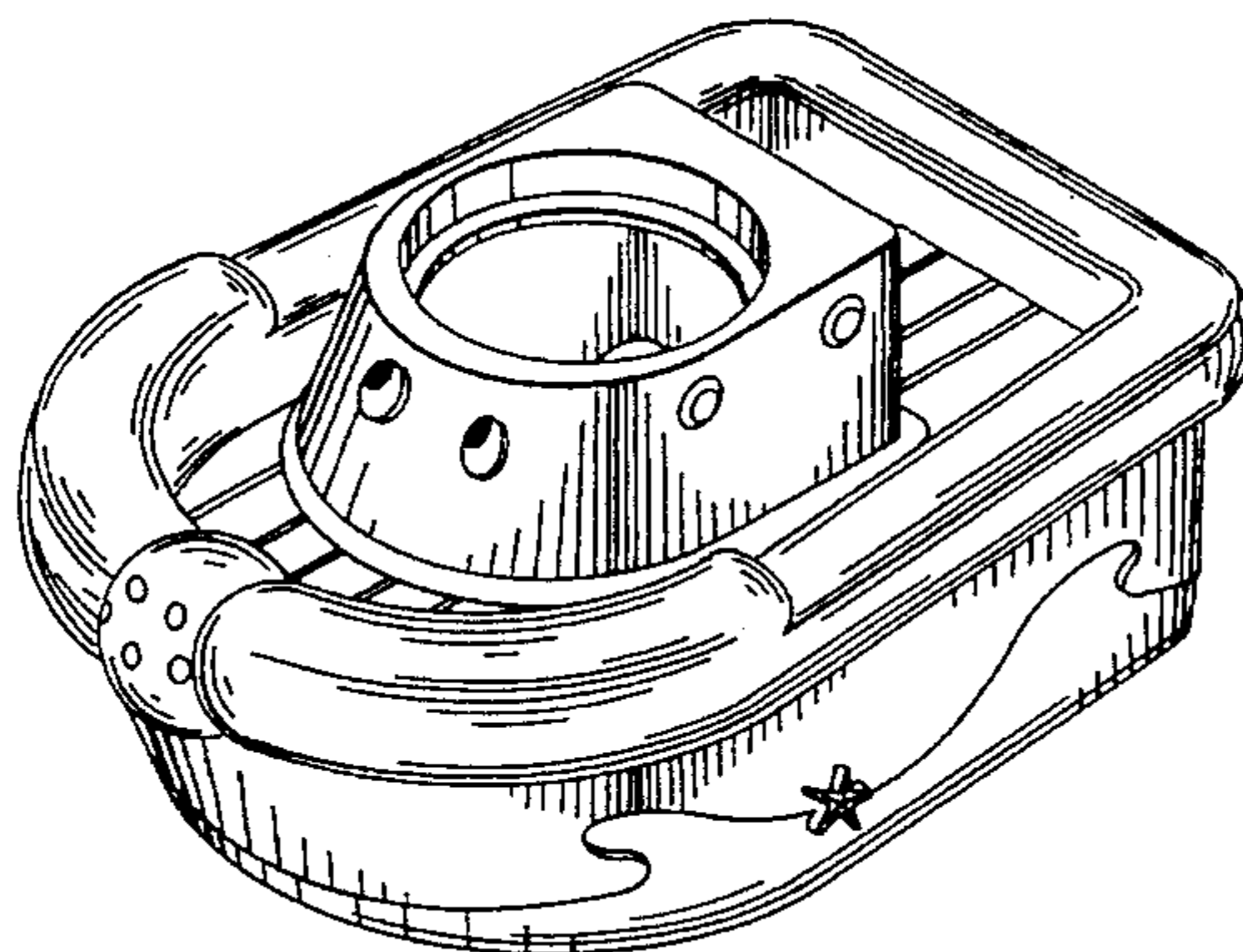
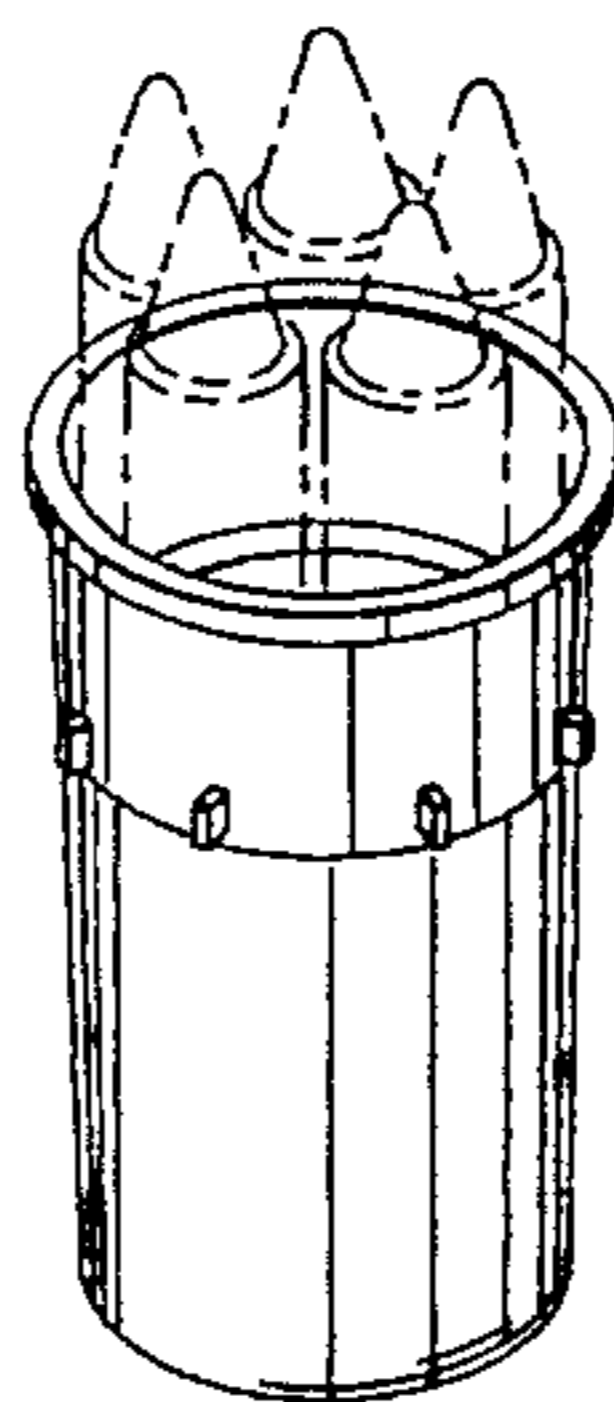


FIG. 1

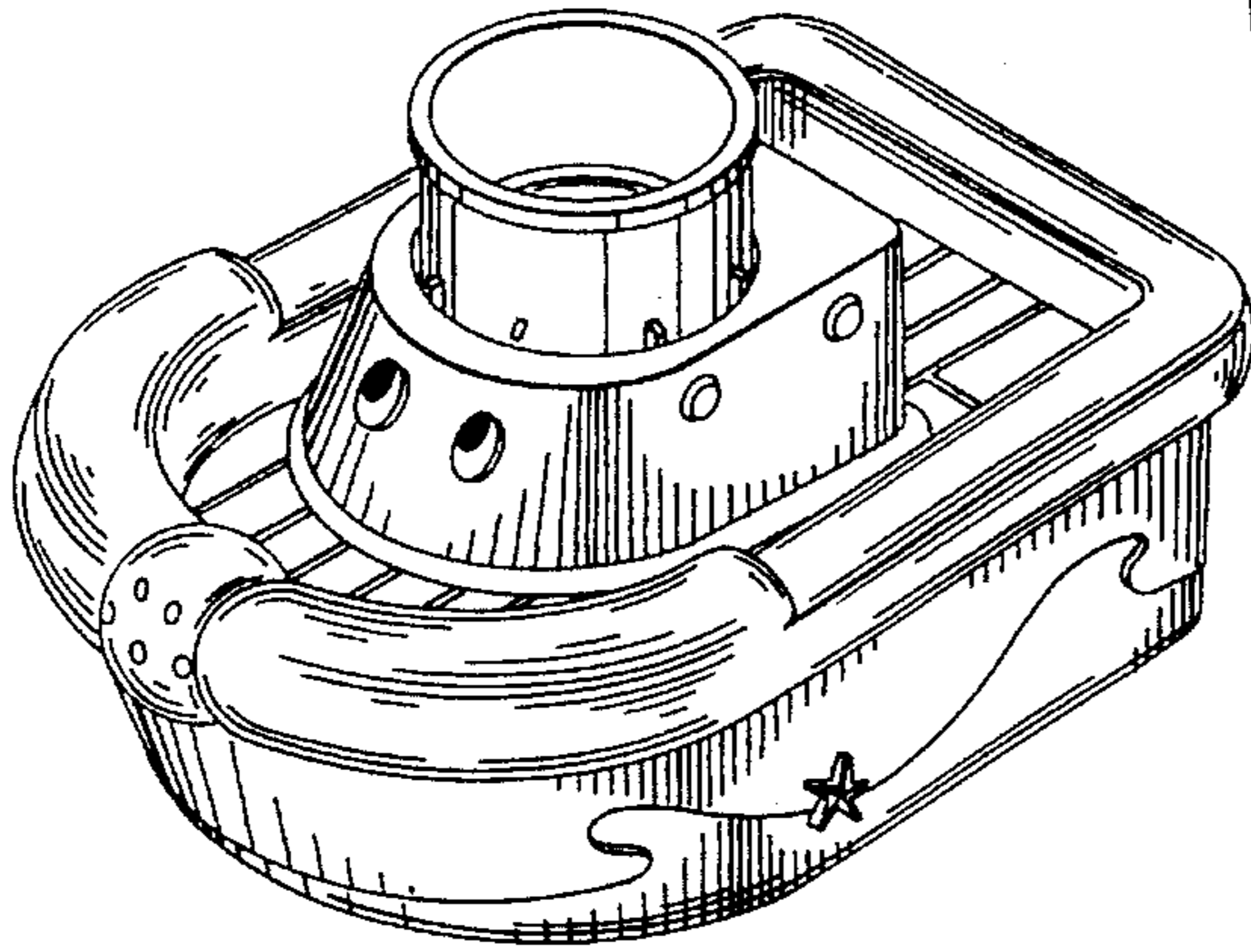


FIG. 2

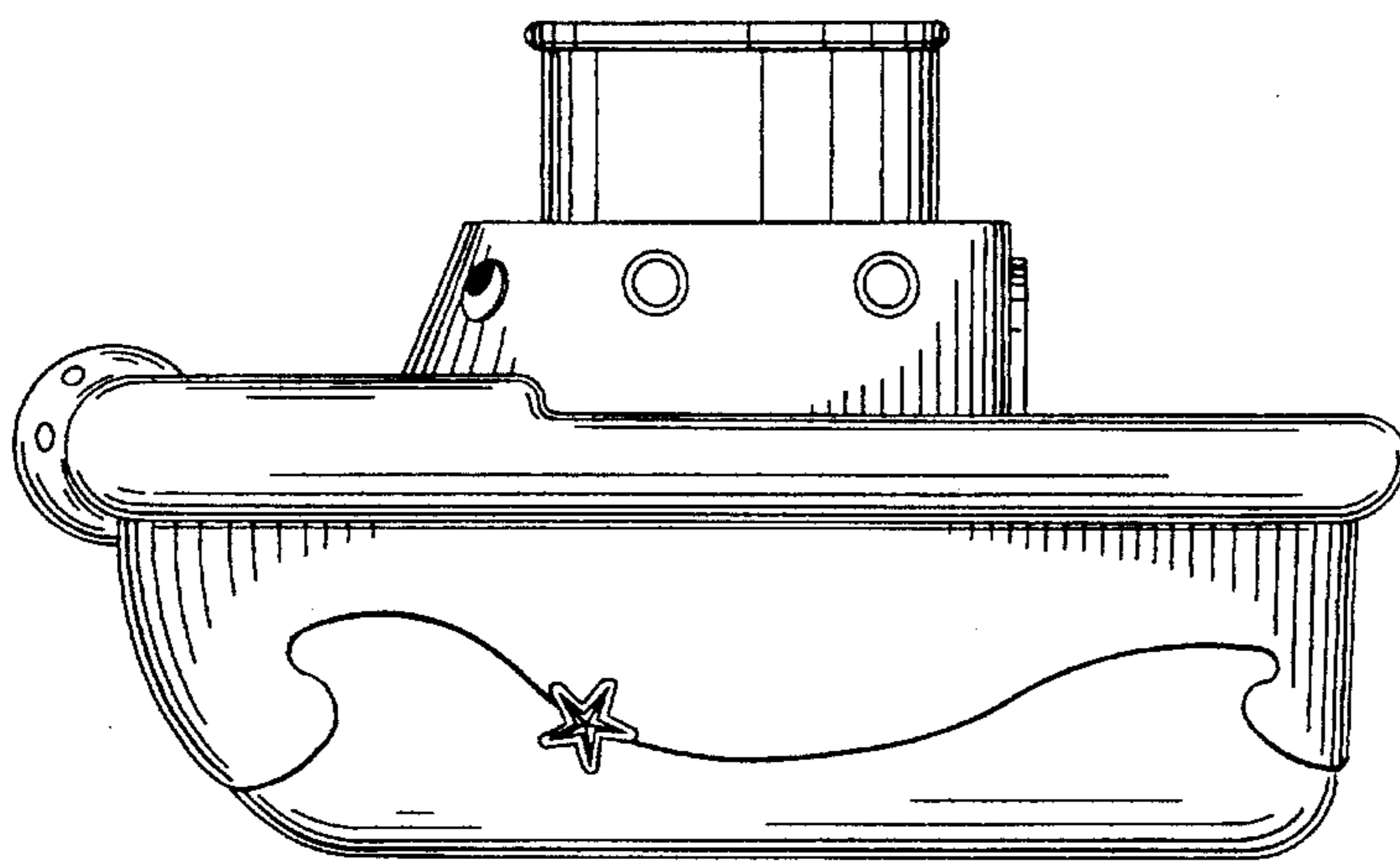
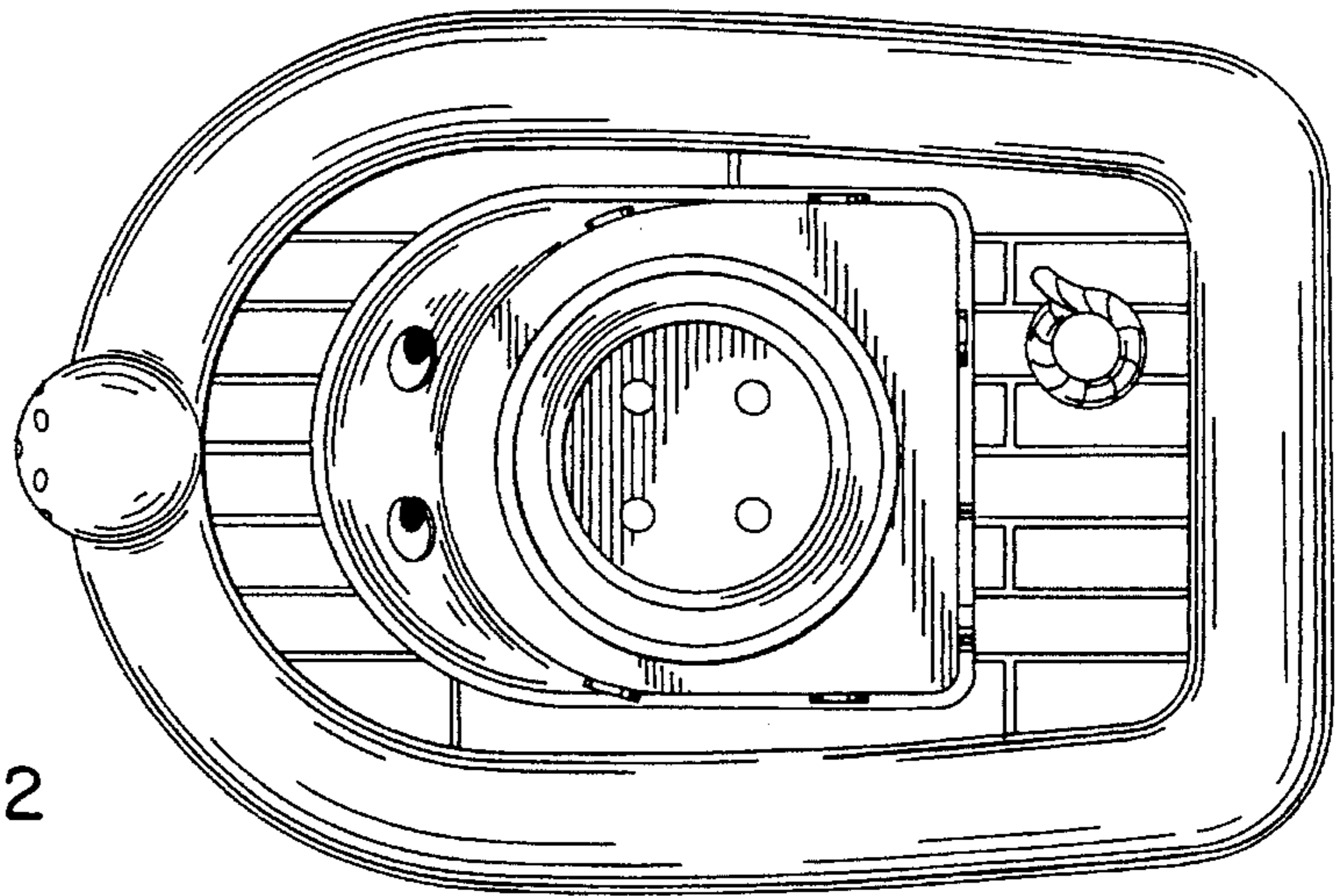


FIG. 3

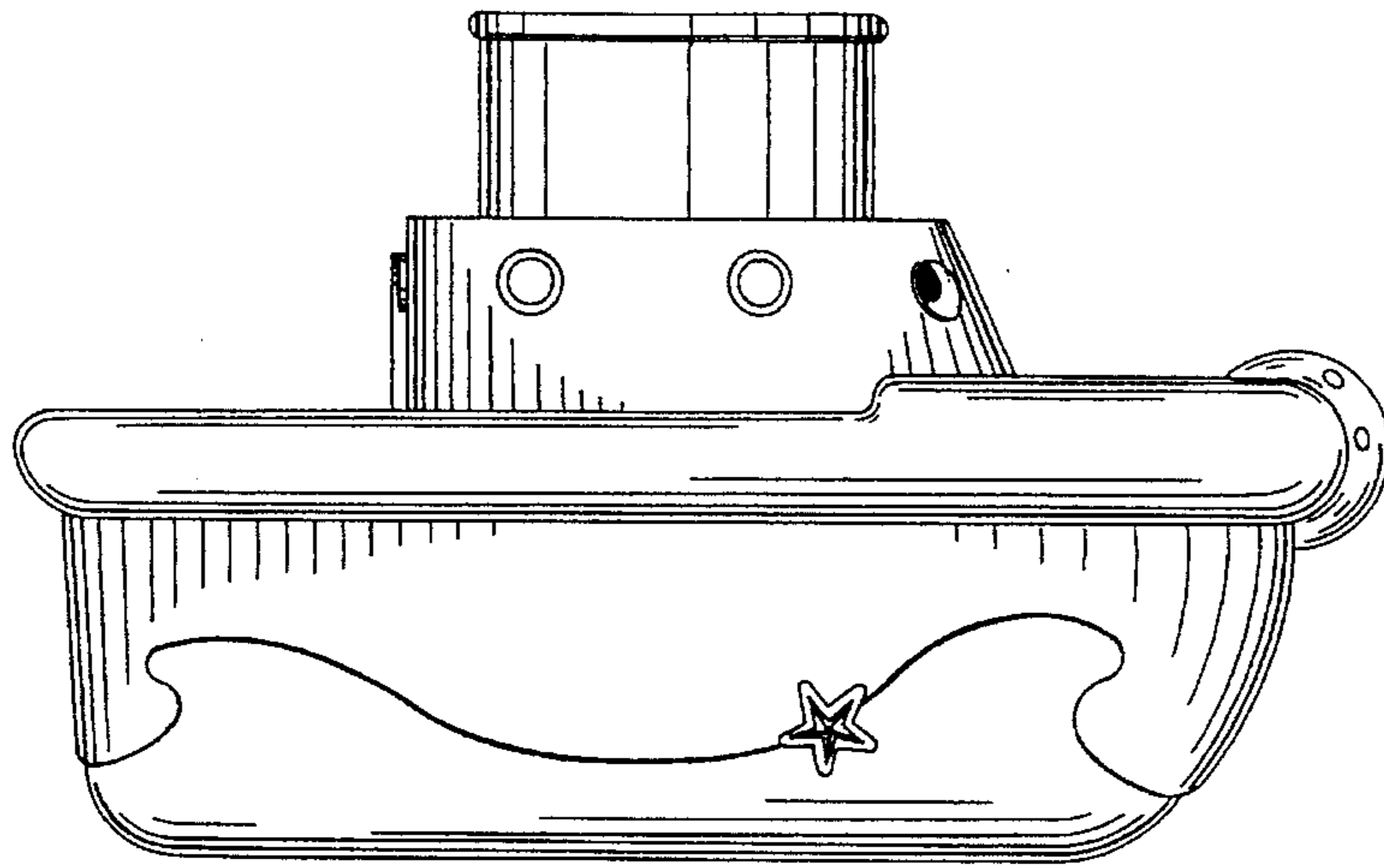


FIG. 4

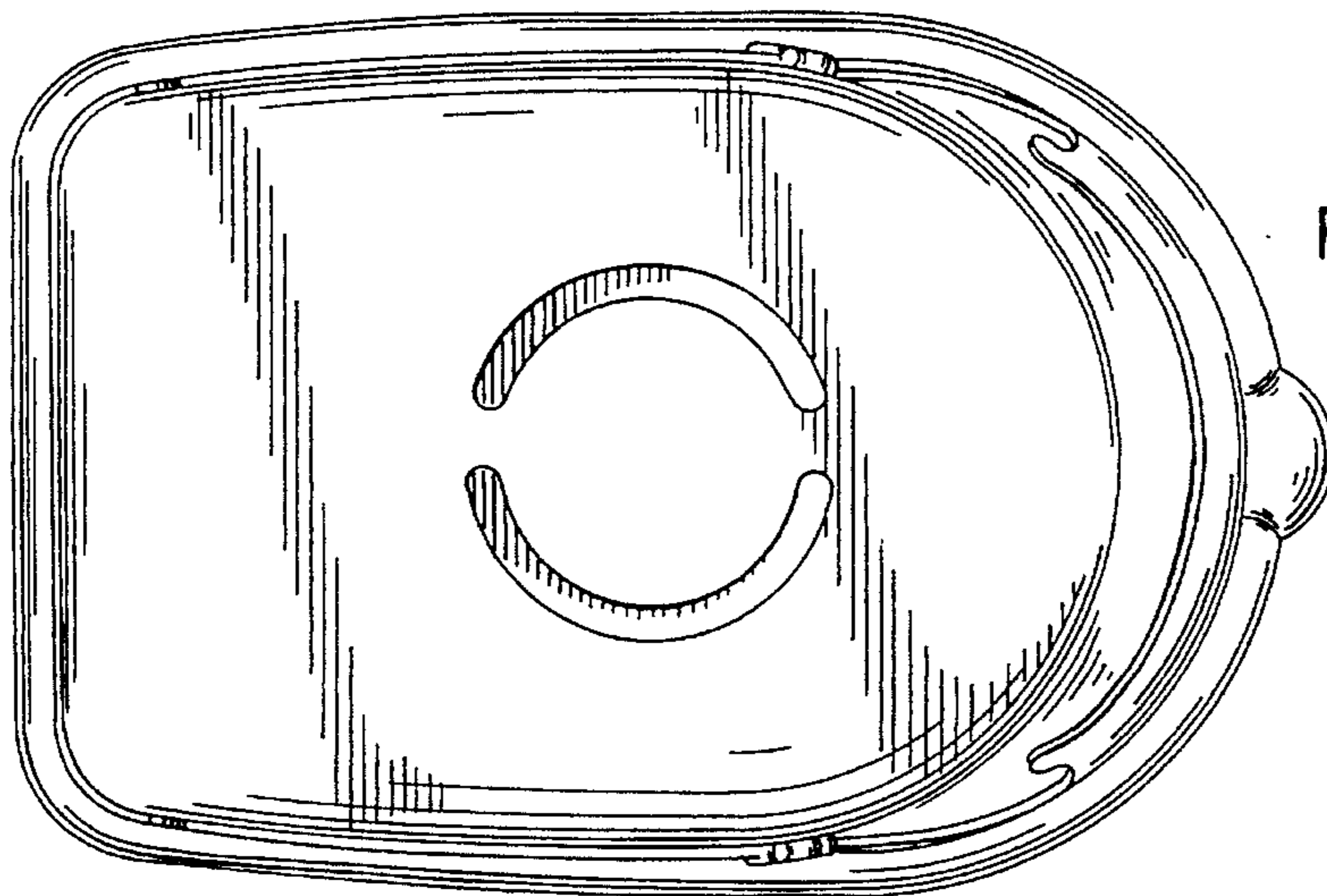


FIG. 5

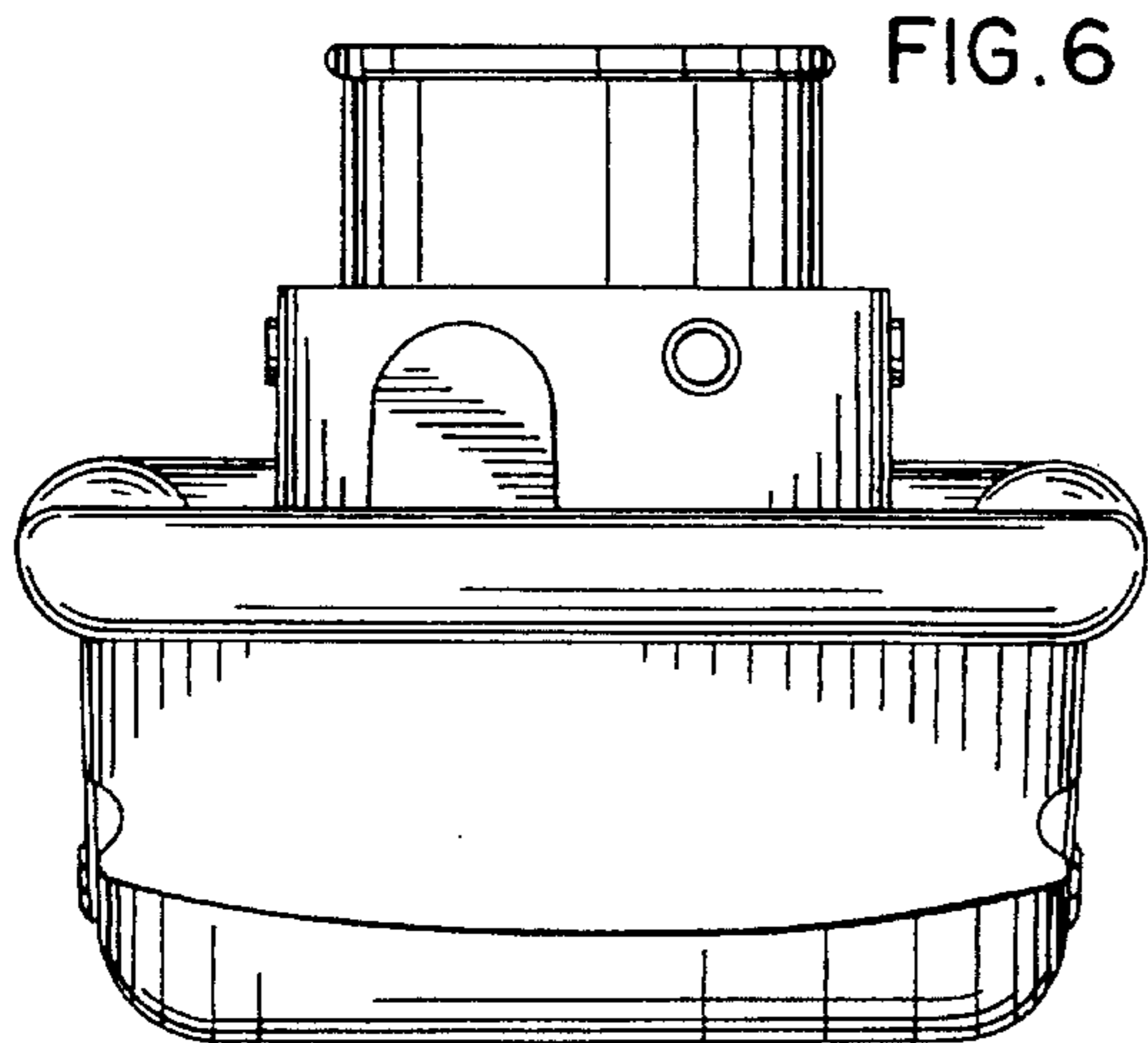


FIG. 6

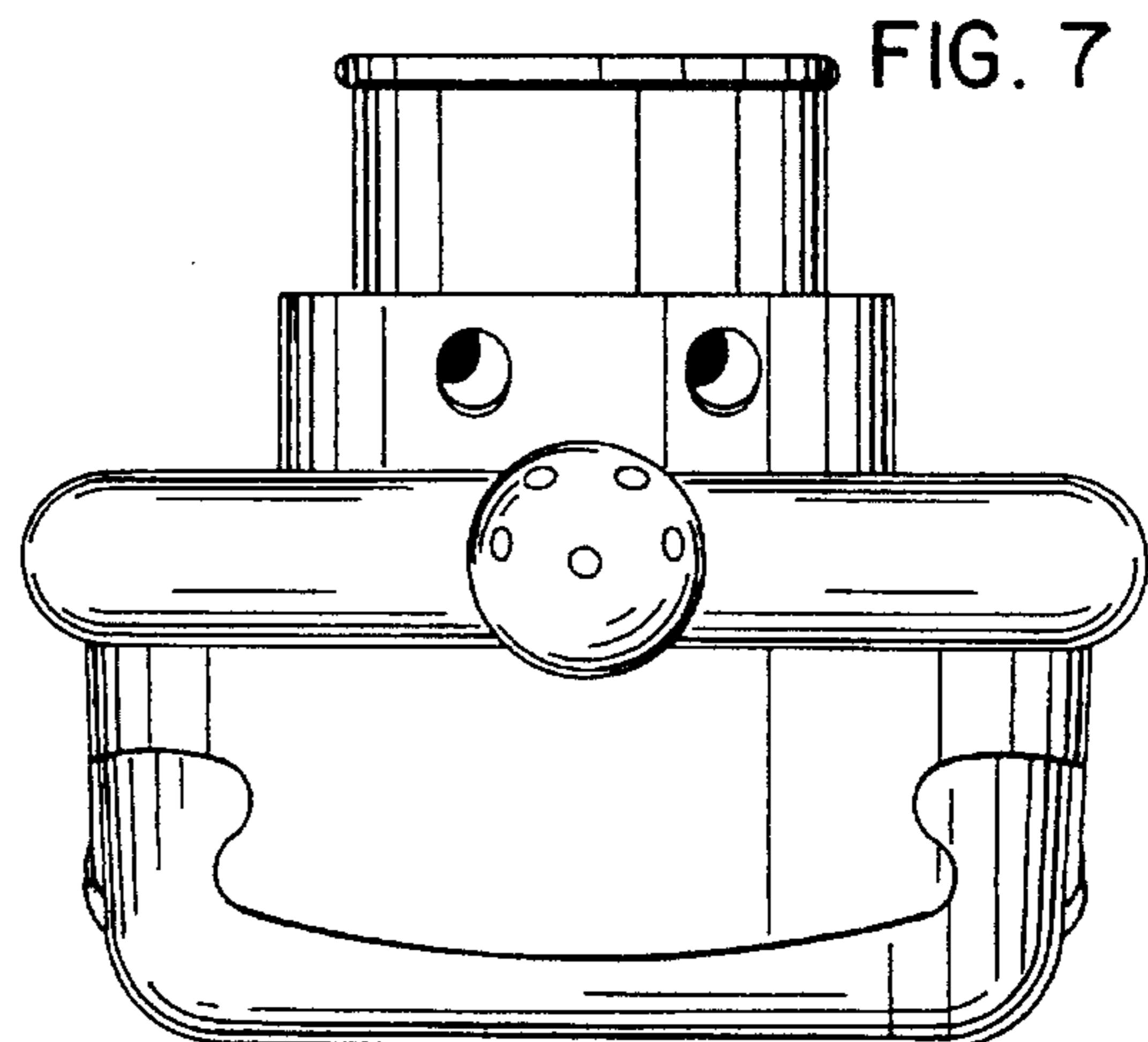


FIG. 7

