



US00D374458S

United States Patent [19]

[11] Patent Number: **Des. 374,458**

Murray et al.

[45] Date of Patent: ****Oct. 8, 1996**

[54] **END HOUSING FOR INK JET PRINTERS**

Assistant Examiner—Frank Martinez

[75] Inventors: **Richard A. Murray; William M. Fries**, both of San Diego, Calif.

Attorney, Agent, or Firm—Knobbe, Martens, Olson & Bear

[73] Assignee: **Encad, Inc.**, San Diego, Calif.

[57] CLAIM

[**] Term: **14 Years**

The ornamental design for an end housing for ink jet printers, as shown and described.

[21] Appl. No.: **38,324**

DESCRIPTION

[22] Filed: **May 3, 1995**

FIG. 1 is a front view of the end housing of the present invention;

[52] U.S. Cl. **D18/56**

FIG. 2 is a rear of the end housing of FIG. 1;

[58] Field of Search D18/56, 54, 50, D18/53, 37, 38, 39; D14/118; 400/690, 691, 692, 693, 694, 613.1, 613.2, 613.3, 613.4, 690.1, 690.2, 690.3, 690.4

FIG. 3 is a left side view of the end housing of FIG. 1;

FIG. 4 is a right side view of the end housing of FIG. 1;

FIG. 5 is a top view of the end housing of FIG. 1;

FIG. 6 is a bottom view of the end housing of FIG. 1;

FIG. 7 is a right perspective view of the end housing of FIG. 1;

FIG. 8 is a front view of the end housing of FIG. 1, the dotted line showing of an ink jet printer is for illustrative purposes only and forms no part of the claimed design; and,

FIG. 9 is a left perspective view of the end housing of FIG. 1.

[56] References Cited

U.S. PATENT DOCUMENTS

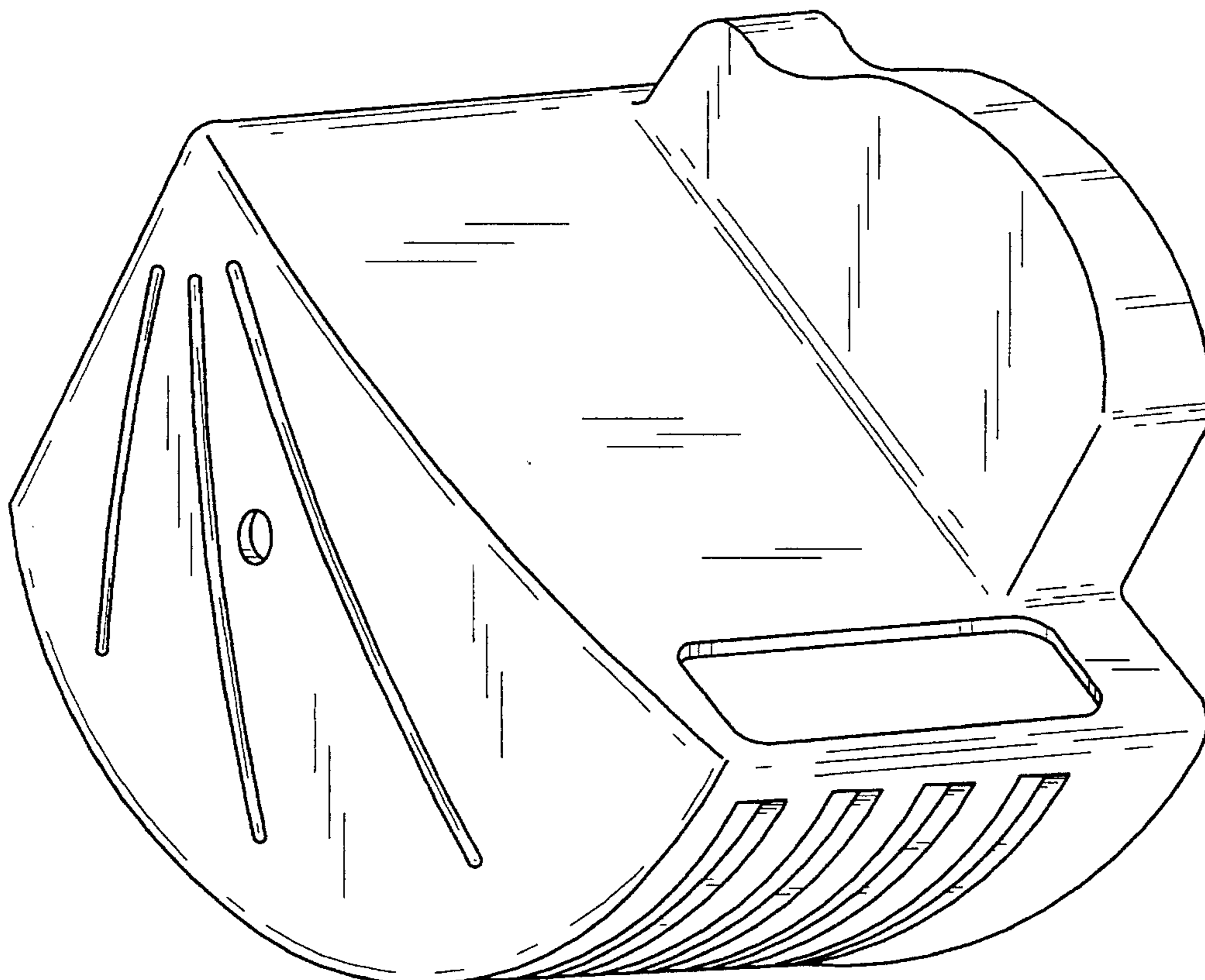
D. 228,030	7/1973	Howard	D18/54
D. 319,071	8/1991	Tamasaku et al.	D18/53
D. 332,623	1/1993	Iwanga	D18/53
D. 339,374	9/1993	Chow et al.	D18/53
D. 340,066	10/1993	Iwanga	D18/50

OTHER PUBLICATIONS

Cadence Reviews—Review of Six Plotters Apr. 1993, pp. 2-3.

Primary Examiner—Louis S. Zarfes

1 Claim, 4 Drawing Sheets



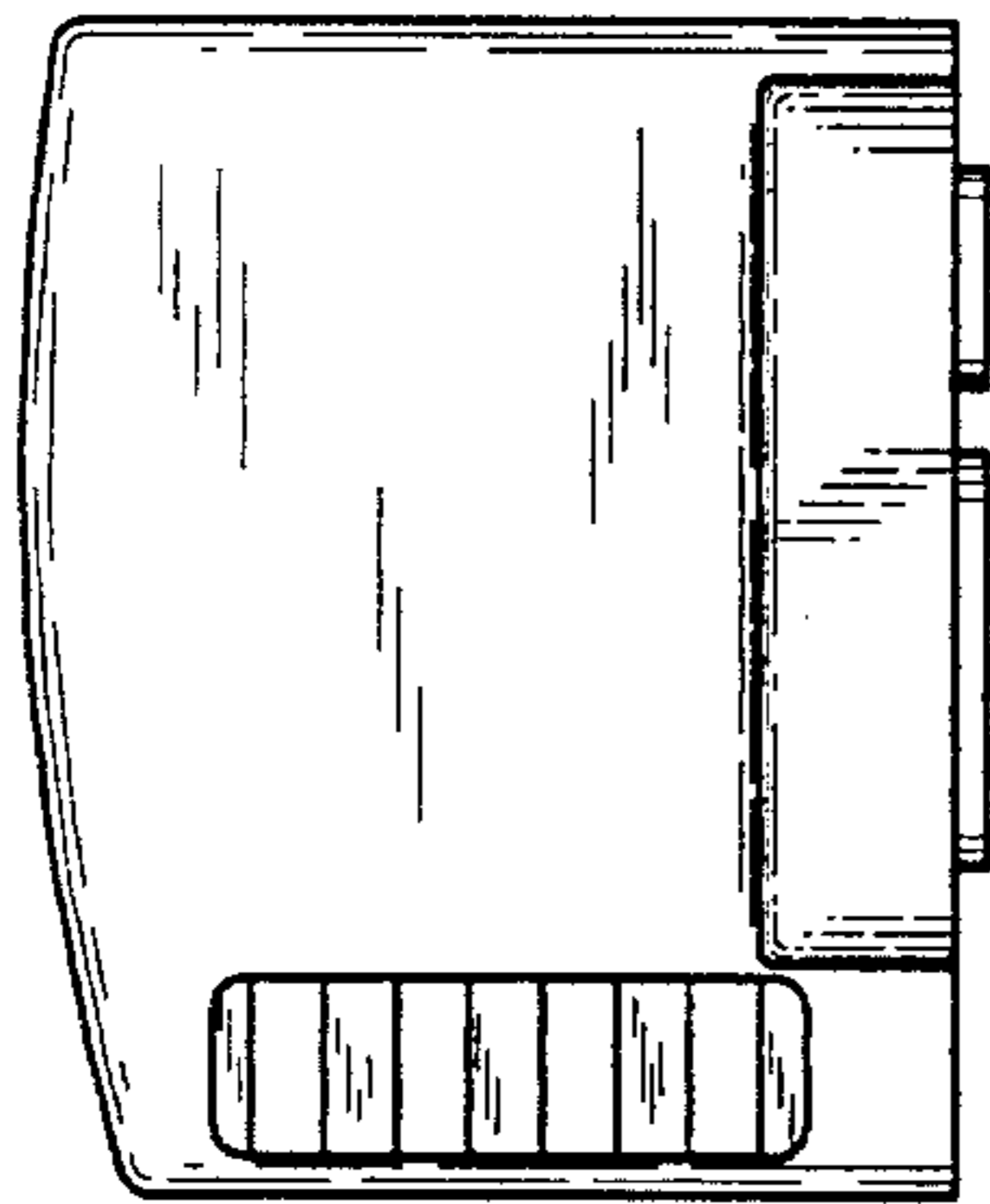


FIG. 5

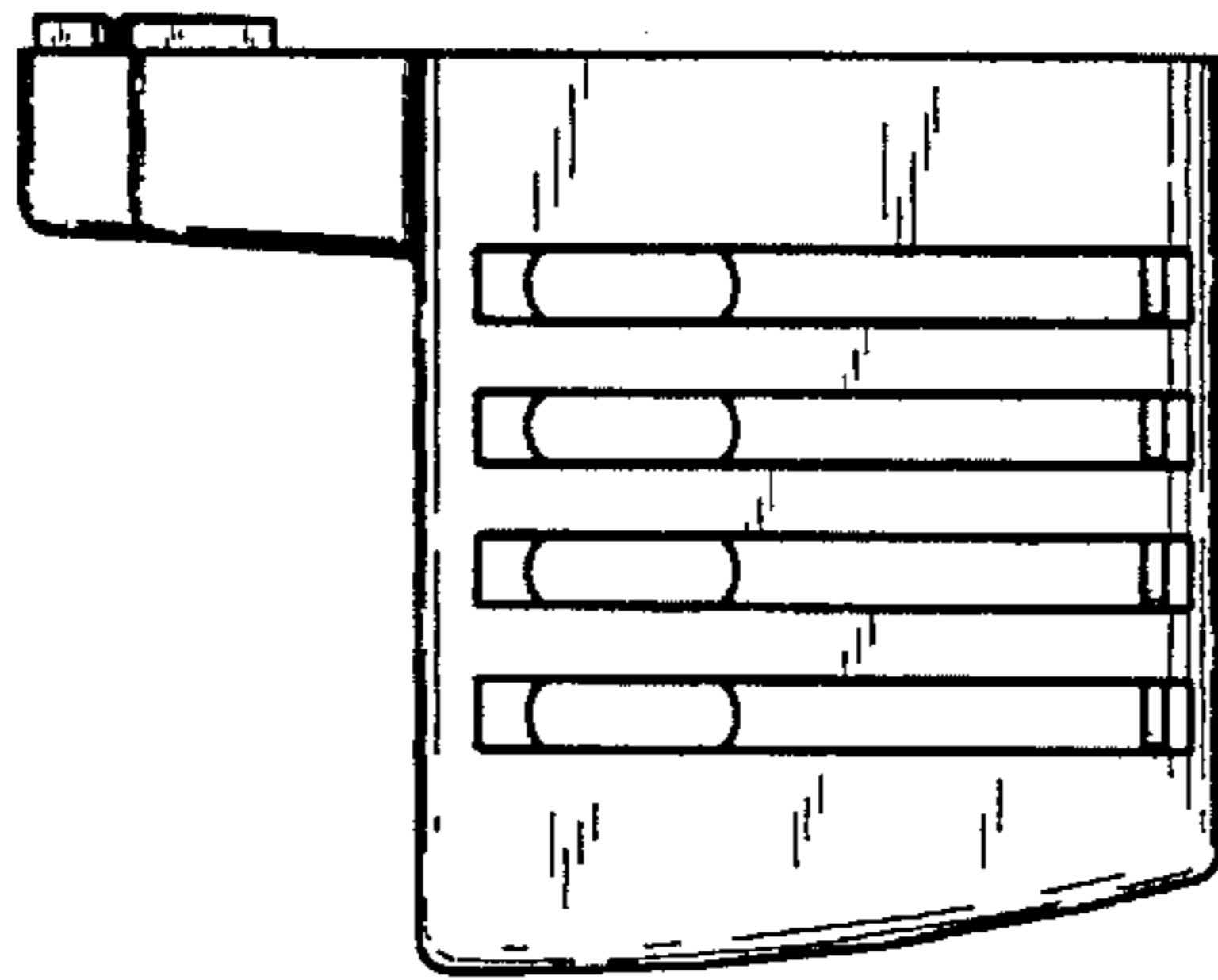


FIG. 1

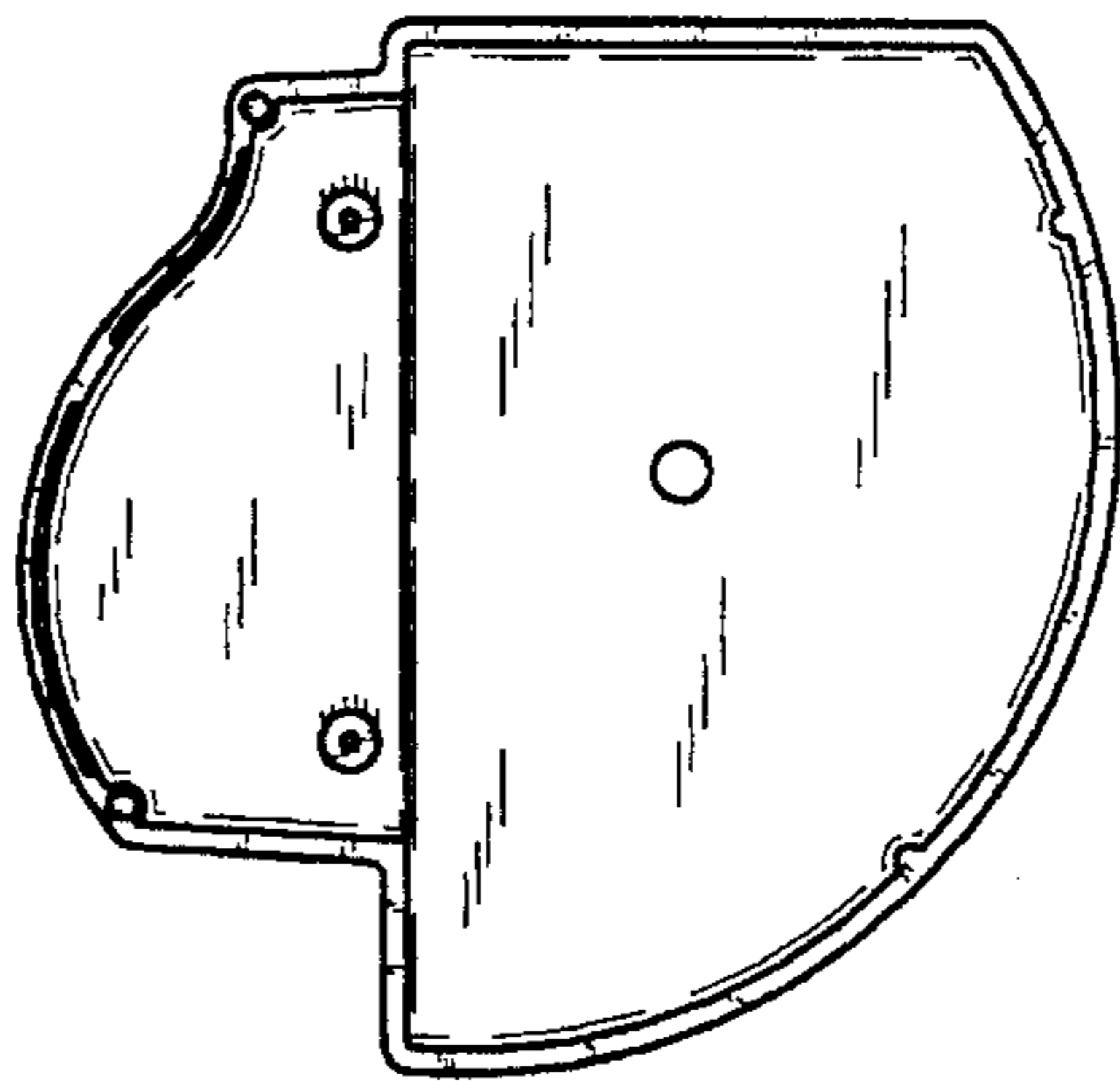


FIG. 4

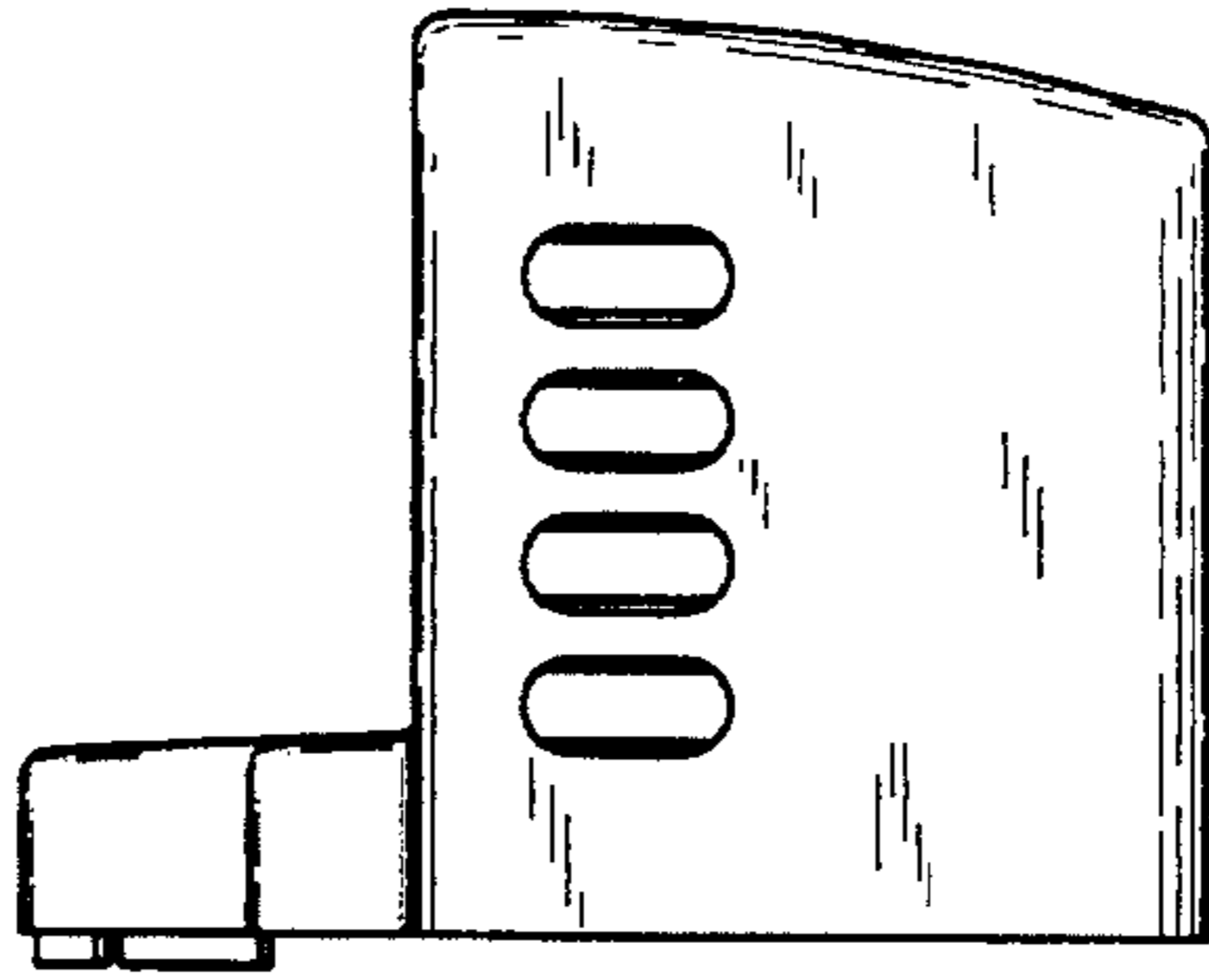


FIG. 2

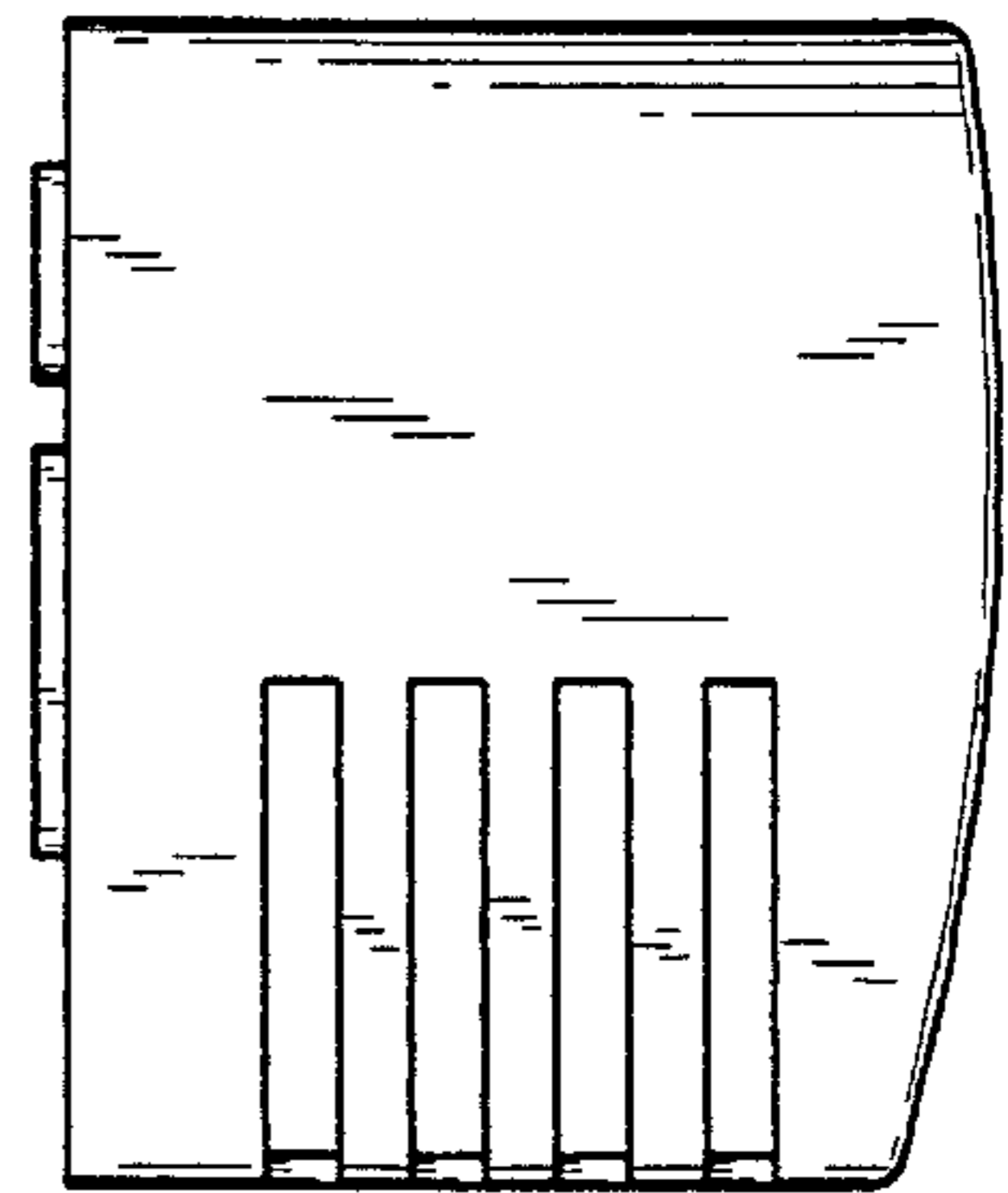


FIG. 6

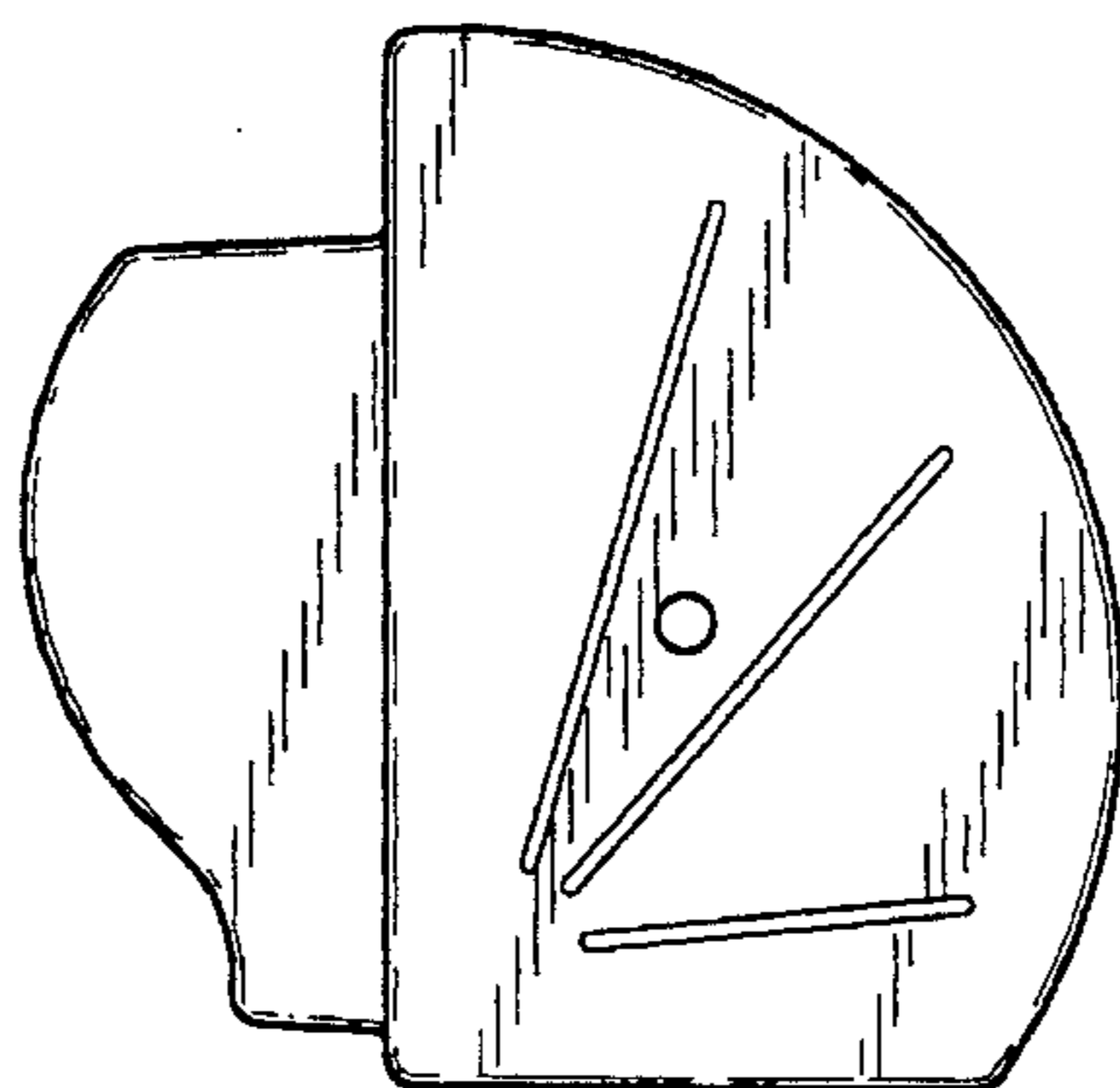


FIG. 3

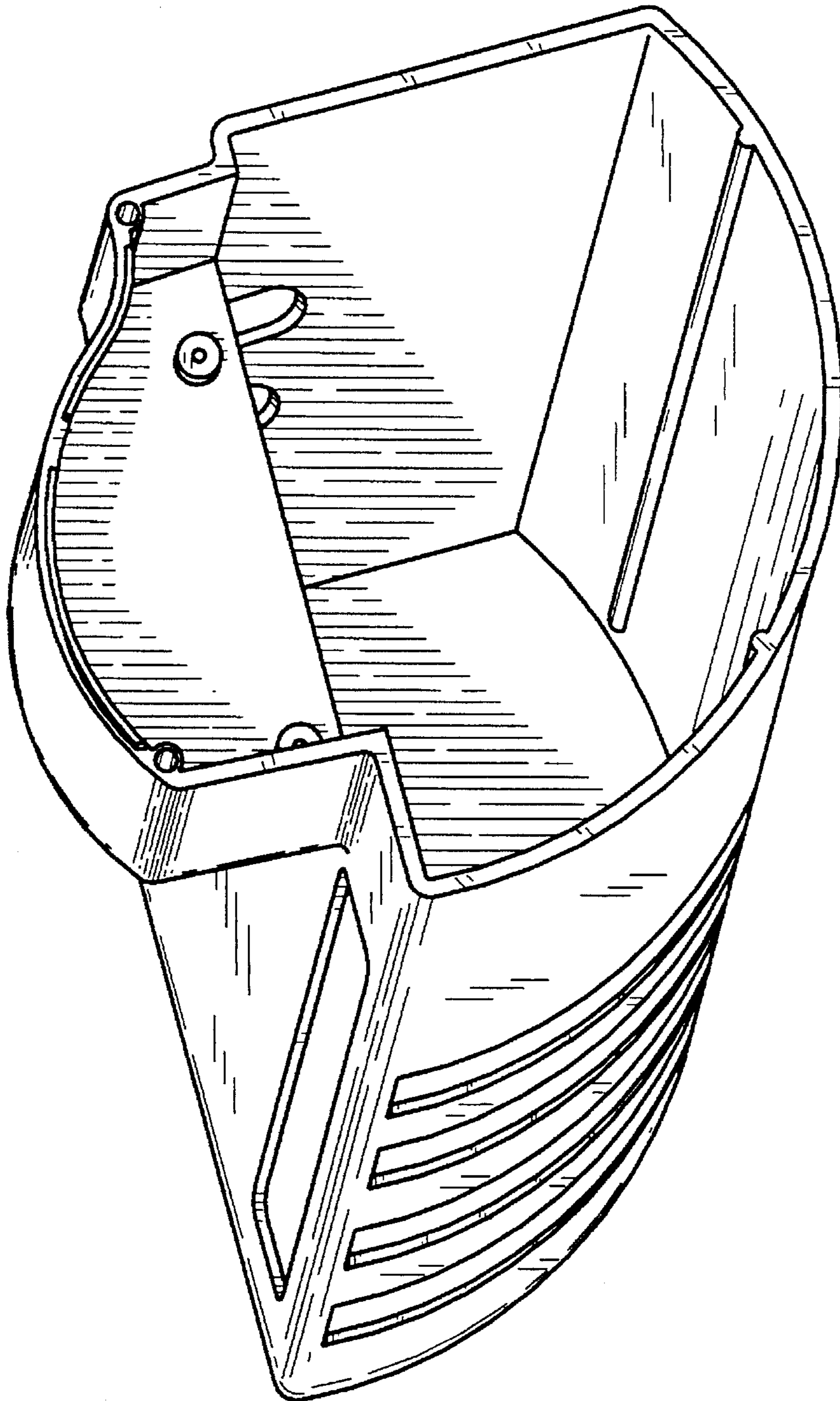


FIG. 7

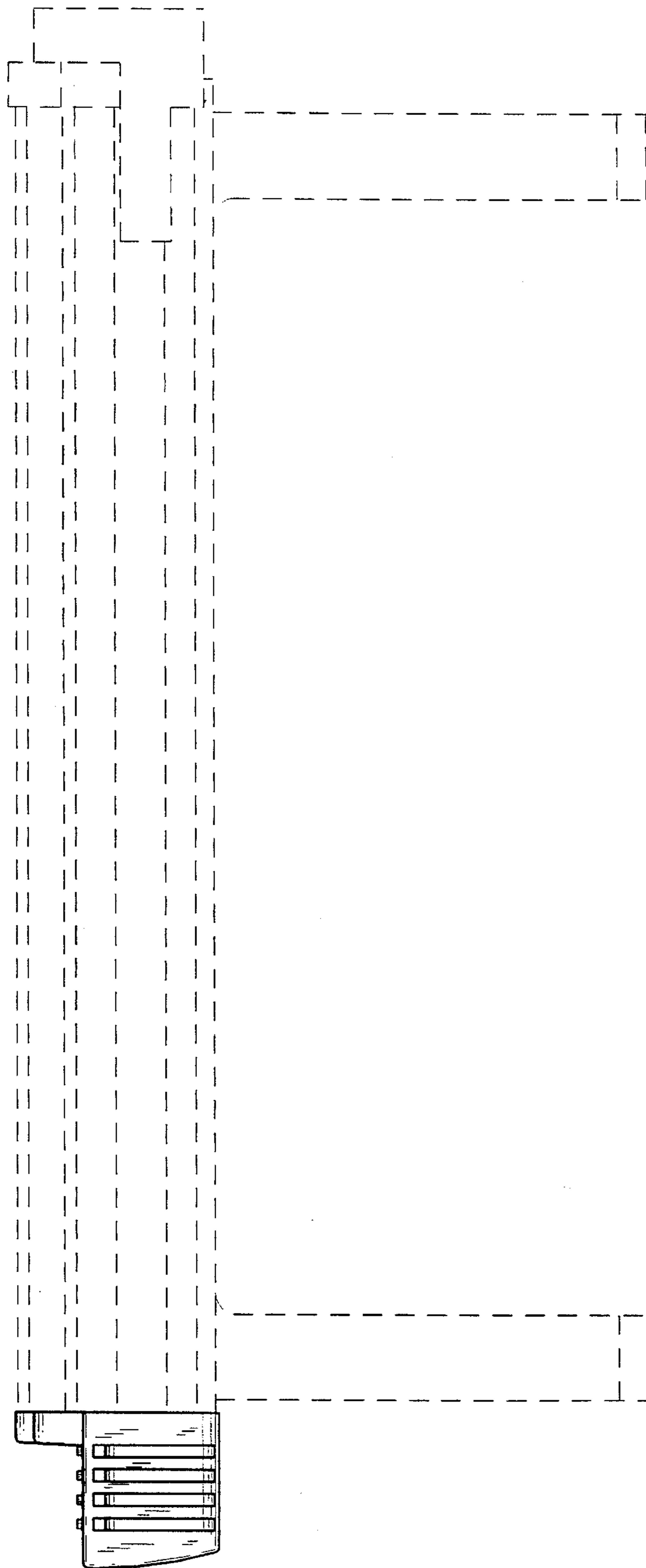


FIG. 8

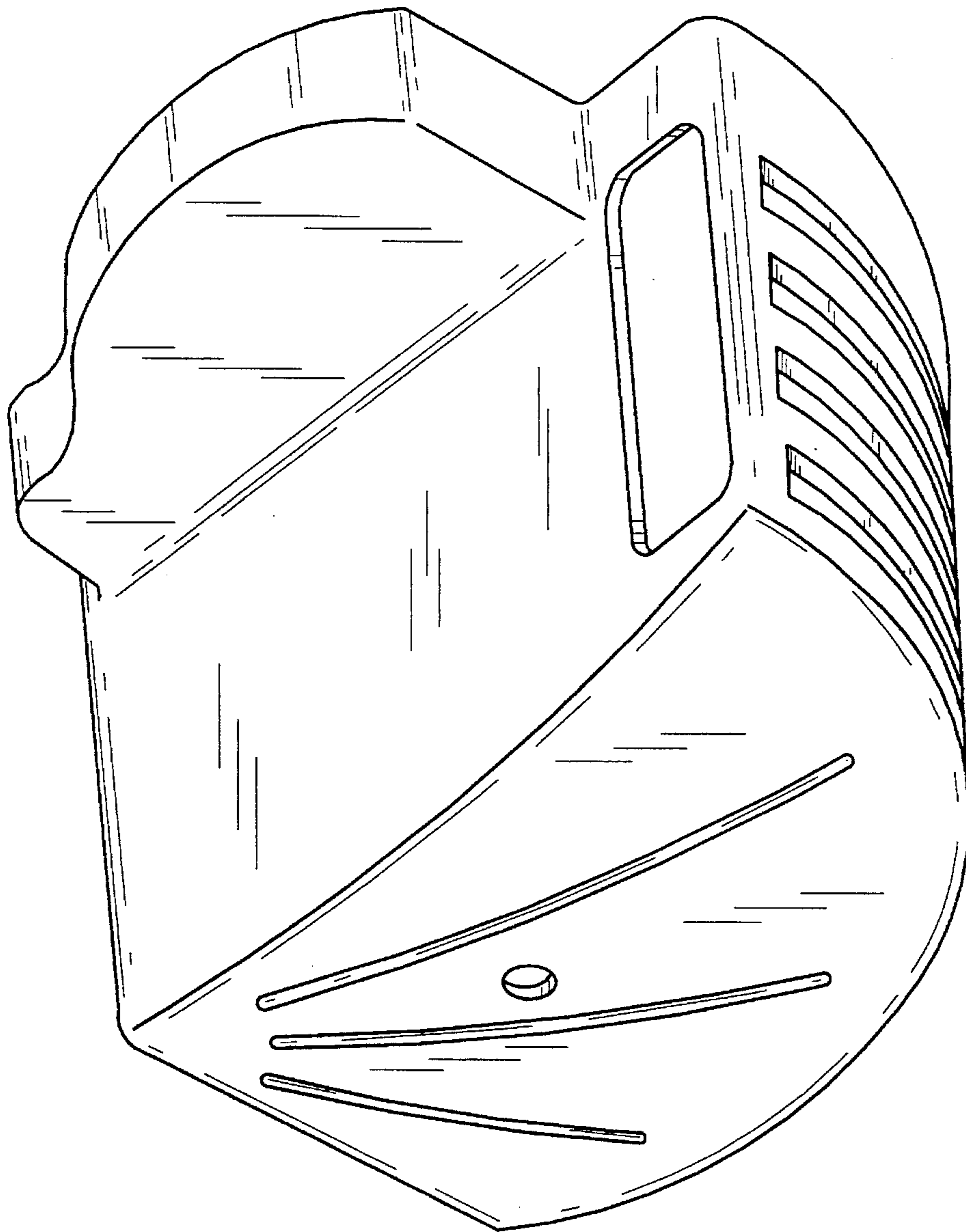


FIG. 9